



US00D704459S

(12) **United States Design Patent**
Zhang

(10) **Patent No.:** **US D704,459 S**

(45) **Date of Patent:** **** May 13, 2014**

(54) **PATIO CHAIR**

(71) Applicant: **Wenya Zhang**, Dongguan (CN)

(72) Inventor: **Wenya Zhang**, Dongguan (CN)

(**) Term: **14 Years**

(21) Appl. No.: **29/469,277**

(22) Filed: **Oct. 9, 2013**

(51) **LOC (10) Cl.** **06-01**

(52) **U.S. Cl.**
USPC **D6/335**

(58) **Field of Classification Search**
USPC D6/334–338, 349, 355, 361, 368–370,
D6/376, 379–381, 716, 716.1, 716.2, 340,
D6/354; 297/16.1, 42, 94, 135, 175, 232,
297/233, 350, 351, 445.1, 448.1, 448.2,
297/451.9; 5/12.1, 12.2

See application file for complete search history.

(56) **References Cited**

U.S. PATENT DOCUMENTS

D155,624 S * 10/1949 Pahlmann D6/336
D190,904 S * 7/1961 Kasparian D6/336

D265,952 S * 8/1982 Theodore D6/336
5,163,733 A * 11/1992 Maxwell 297/244
D430,743 S * 9/2000 Pomeroy et al. D6/336
D443,425 S * 6/2001 Pomeroy et al. D6/344
D450,937 S * 11/2001 Pomeroy et al. D6/344
D464,492 S * 10/2002 Pomeroy et al. D6/336
D484,719 S * 1/2004 Strong D6/511
D525,441 S * 7/2006 Pomeroy et al. D6/336

* cited by examiner

Primary Examiner — Sandra Snapp

(74) *Attorney, Agent, or Firm* — George G. Wang; Bei & Ocean

(57) **CLAIM**

The ornamental design for a patio chair, as shown and described.

DESCRIPTION

FIG. 1 is a front view of the patio chair;
FIG. 2 is a bottom view of the patio chair;
FIG. 3 is a top view of the patio chair;
FIG. 4 is a right side view of the patio chair;
FIG. 5 is a left side view of the patio chair;
FIG. 6 is a back view of the patio chair; and,
FIG. 7 is perspective view of the patio chair.

1 Claim, 7 Drawing Sheets

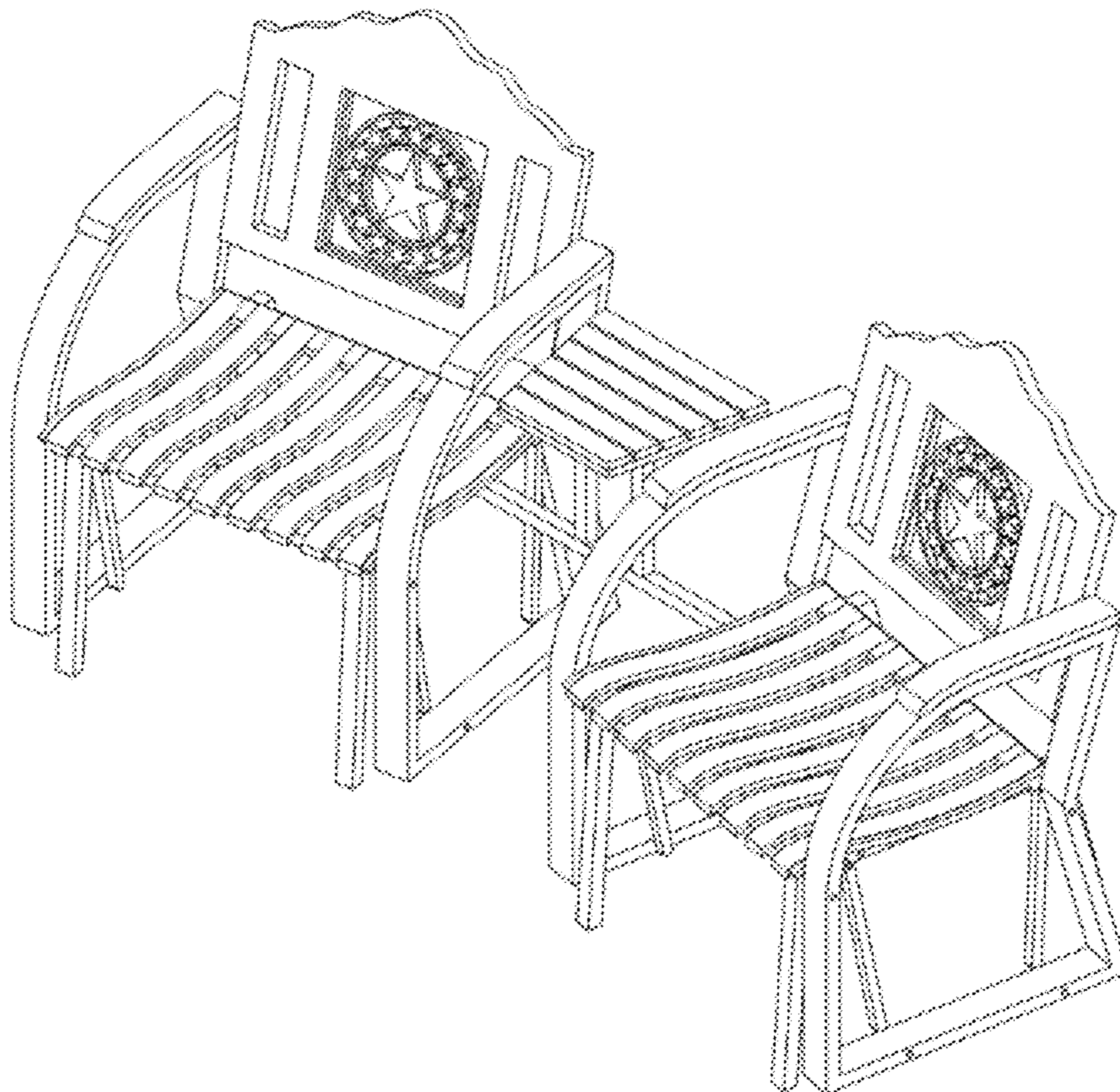


FIG.1

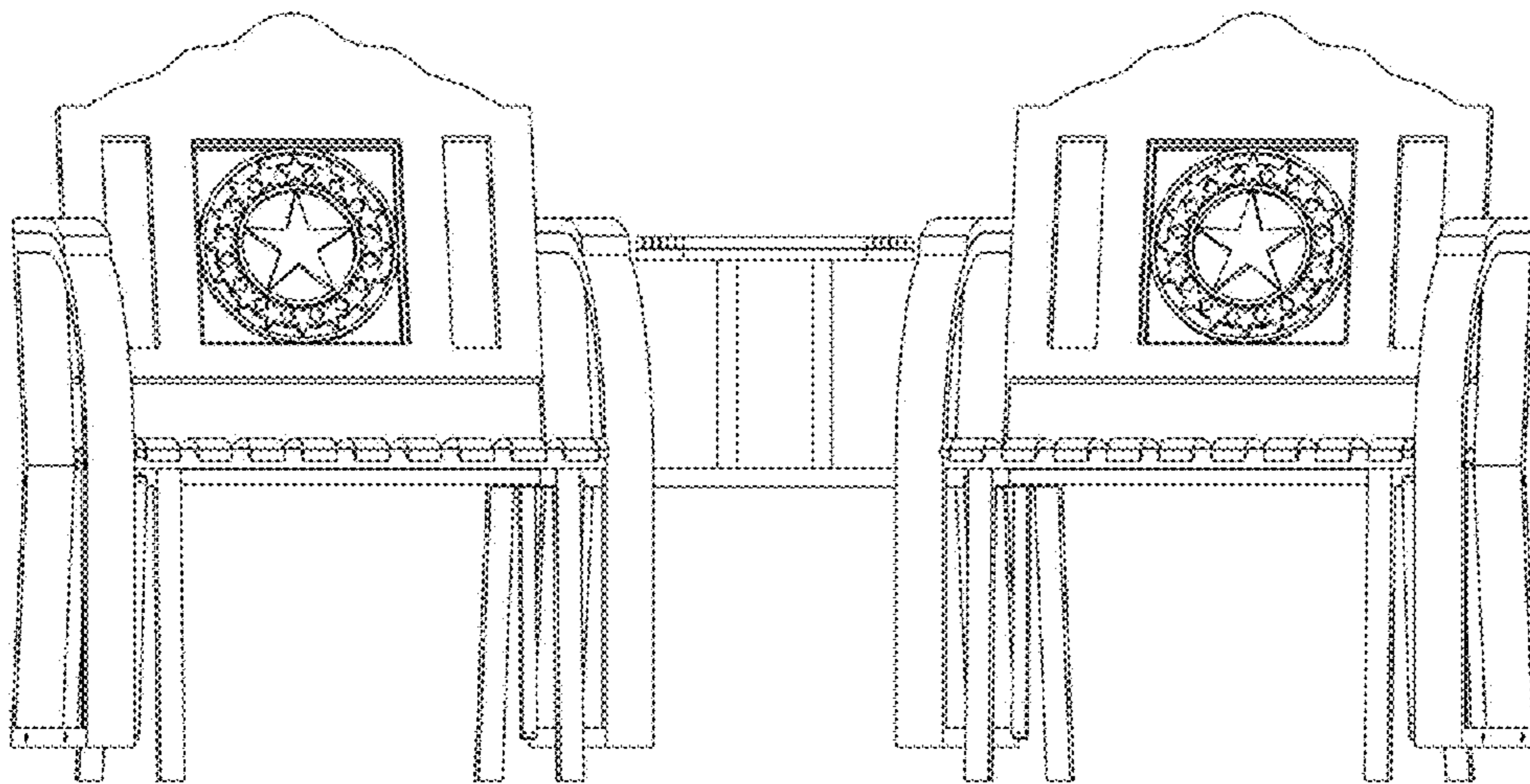


FIG.2

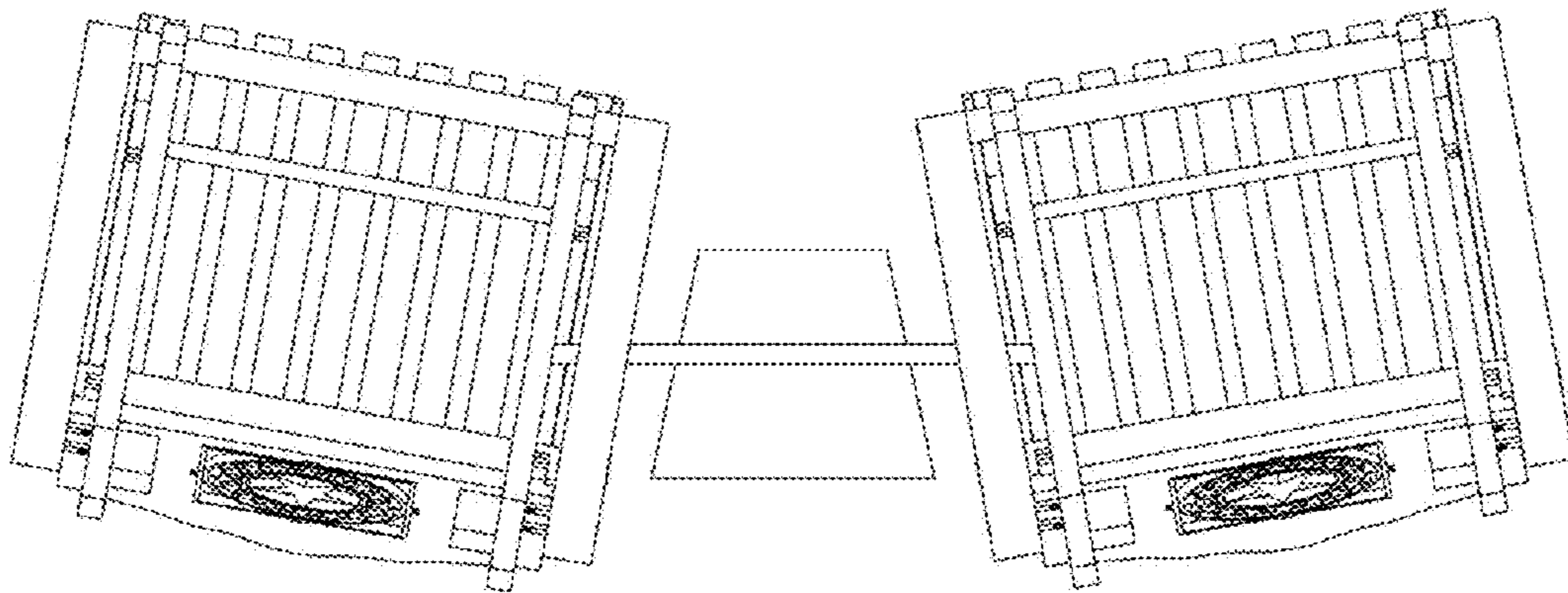


FIG.3

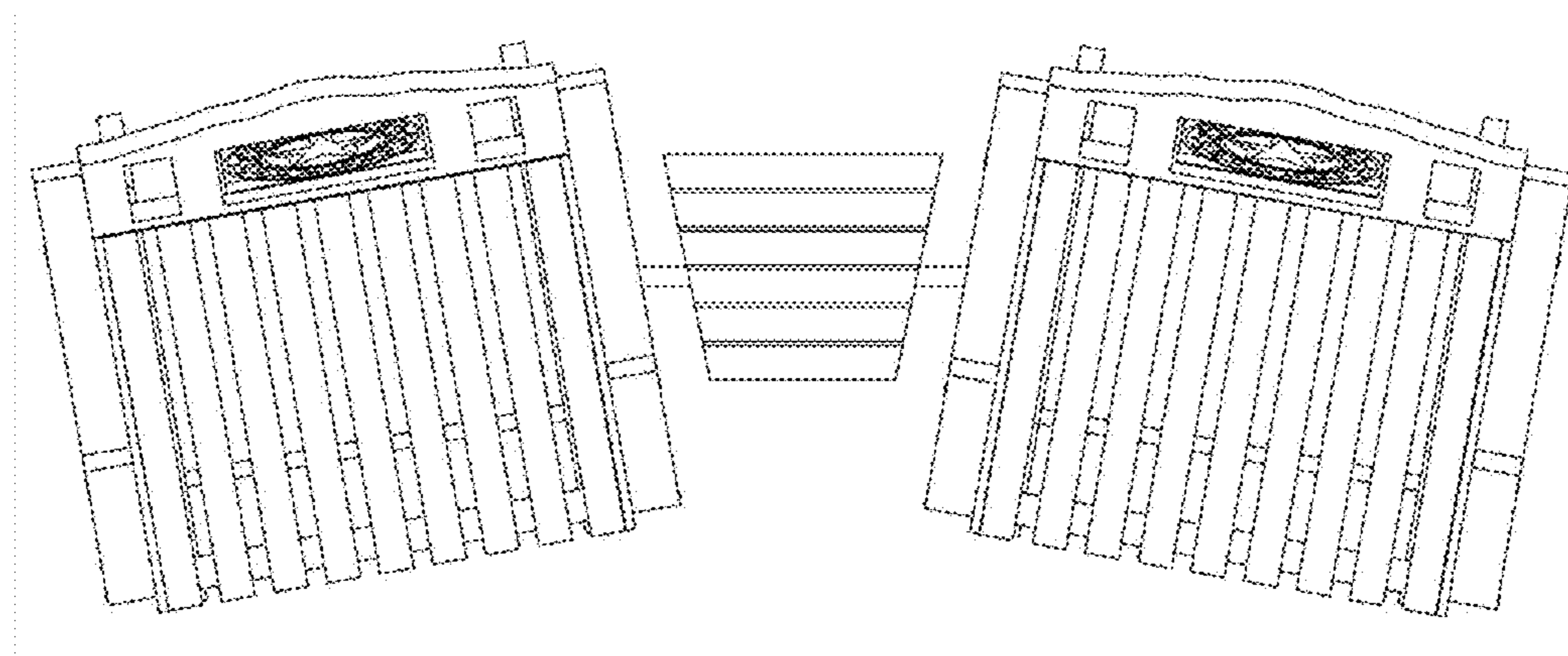


FIG.4

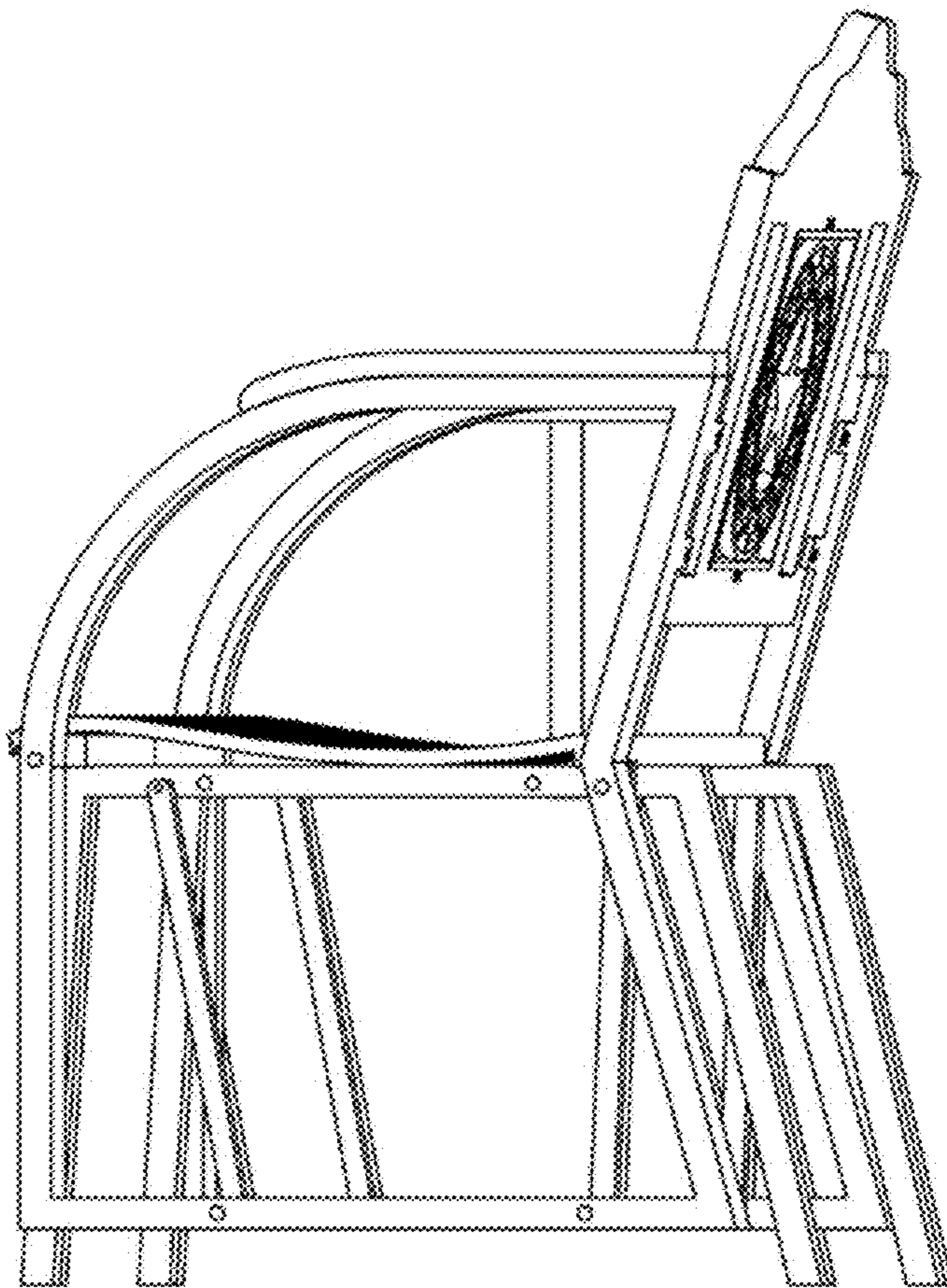


FIG.5

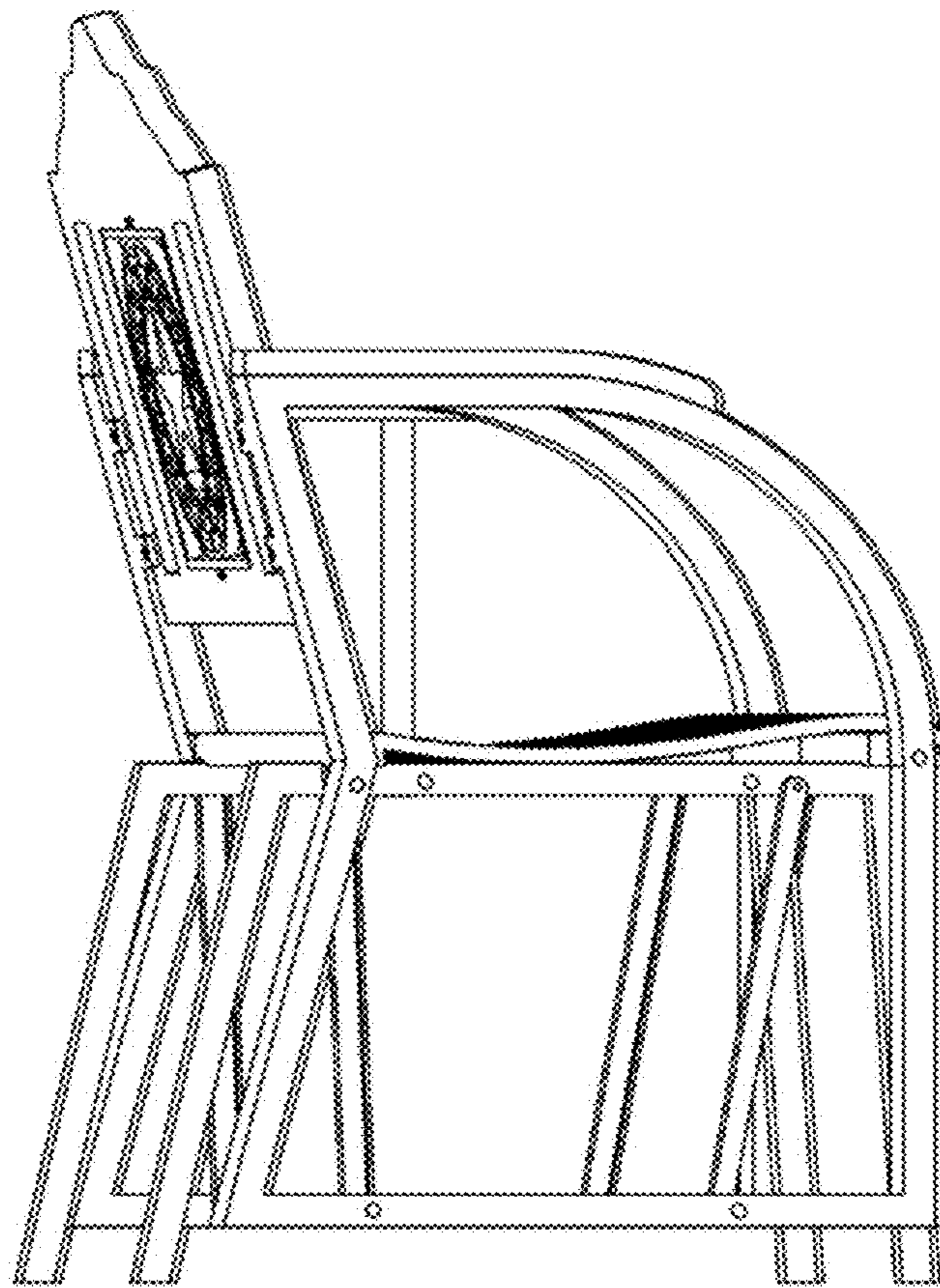


FIG.6

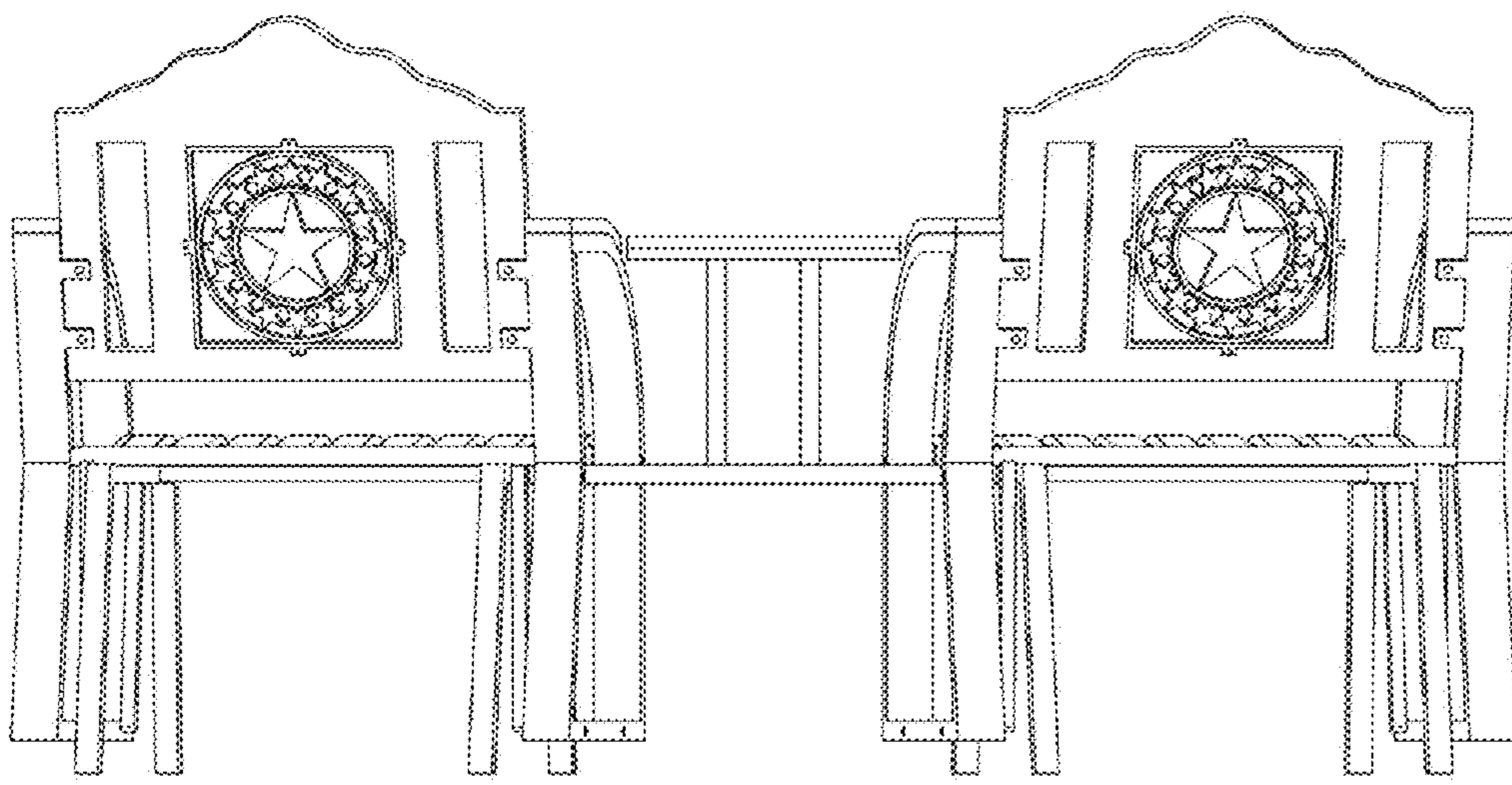


FIG.7

