



US00D704451S

(12) **United States Design Patent**
Schouten et al.

(10) **Patent No.:** **US D704,451 S**
(45) **Date of Patent:** **** May 13, 2014**

(54) **AUTOMOTIVE CLEANING BRUSH**

(71) Applicant: **Hopkins Manufacturing Corporation,**
Emporia, KS (US)

(72) Inventors: **Pieter Schouten,** Berkeley, CA (US);
Marcus Gooden, LomaLinda, CA (US)

(73) Assignee: **Hopkins Manufacturing Corporation,**
Emporia, KS (US)

(**) Term: **14 Years**

(21) Appl. No.: **29/452,663**

(22) Filed: **Apr. 19, 2013**

(51) **LOC (10) Cl.** **04-01**

(52) **U.S. Cl.**
USPC **D4/138; D4/132**

(58) **Field of Classification Search**
USPC D4/131-134, 136, 138; D7/393, 395,
D7/401.2; D8/82, 83, 107, 300, 303;
15/106, 143.1, 146, 159.1, 160,
15/186-188, 206; 16/430, DIG. 12,
16/DIG. 19; 81/489, 492; D28/63
See application file for complete search history.

(56) **References Cited**

U.S. PATENT DOCUMENTS

D179,985 S * 4/1957 Scholl D4/132
D227,623 S * 7/1973 Spydevold D4/134
D483,186 S * 12/2003 Libman et al. D4/138

D504,572 S * 5/2005 Kuo et al. D4/133
D513,127 S * 12/2005 Hay et al. D4/115
D527,189 S * 8/2006 Hay et al. D4/138
D618,981 S * 7/2010 Gringer D8/107
2006/0207042 A1* 9/2006 Di Paolo 15/111

FOREIGN PATENT DOCUMENTS

JP 2011-10956 A * 1/2011 A47L 13/10
KR 202010000766 U * 8/2010 B60S 1/68

* cited by examiner

Primary Examiner — Melanie H Tung
Assistant Examiner — Lavone D Tabor

(74) *Attorney, Agent, or Firm* — George R. McGuire; Bond
Schoeneck & King, PLLC

(57) **CLAIM**

The ornamental design for an automotive cleaning brush, as
shown and described.

DESCRIPTION

FIG. 1 is a perspective view of an automotive cleaning brush
showing our new design, the bristles being shown in broken
lines to illustrate portions of the brush that form no part of the
claimed design;

FIG. 2 is a front elevation view thereof;

FIG. 3 is a rear elevation view thereof;

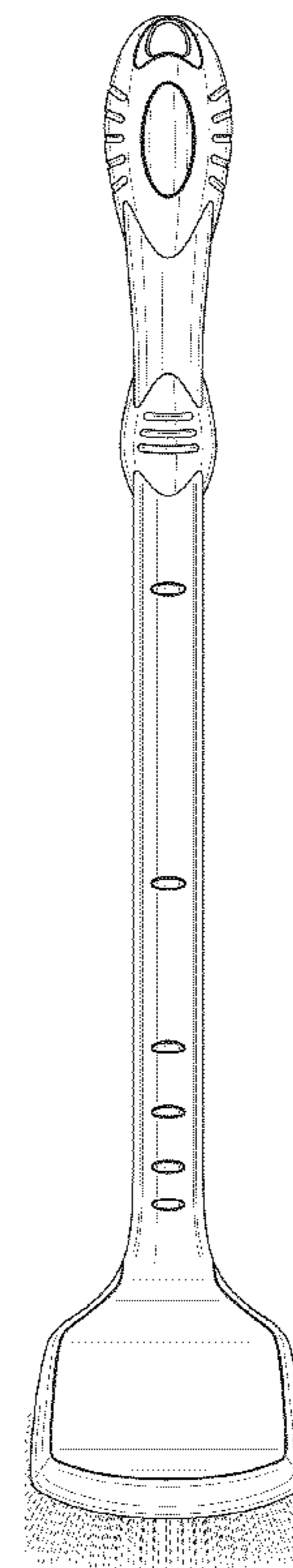
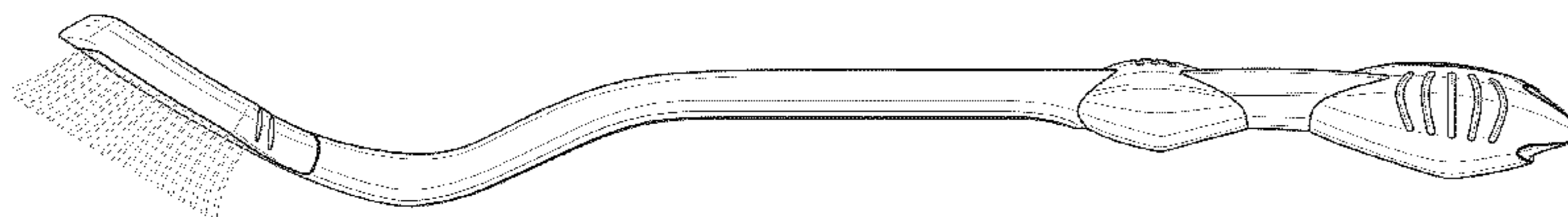
FIG. 4 is a first side elevation view thereof;

FIG. 5 is a second side elevation view thereof;

FIG. 6 is a top plan view thereof; and,

FIG. 7 is a bottom plan view thereof.

1 Claim, 7 Drawing Sheets



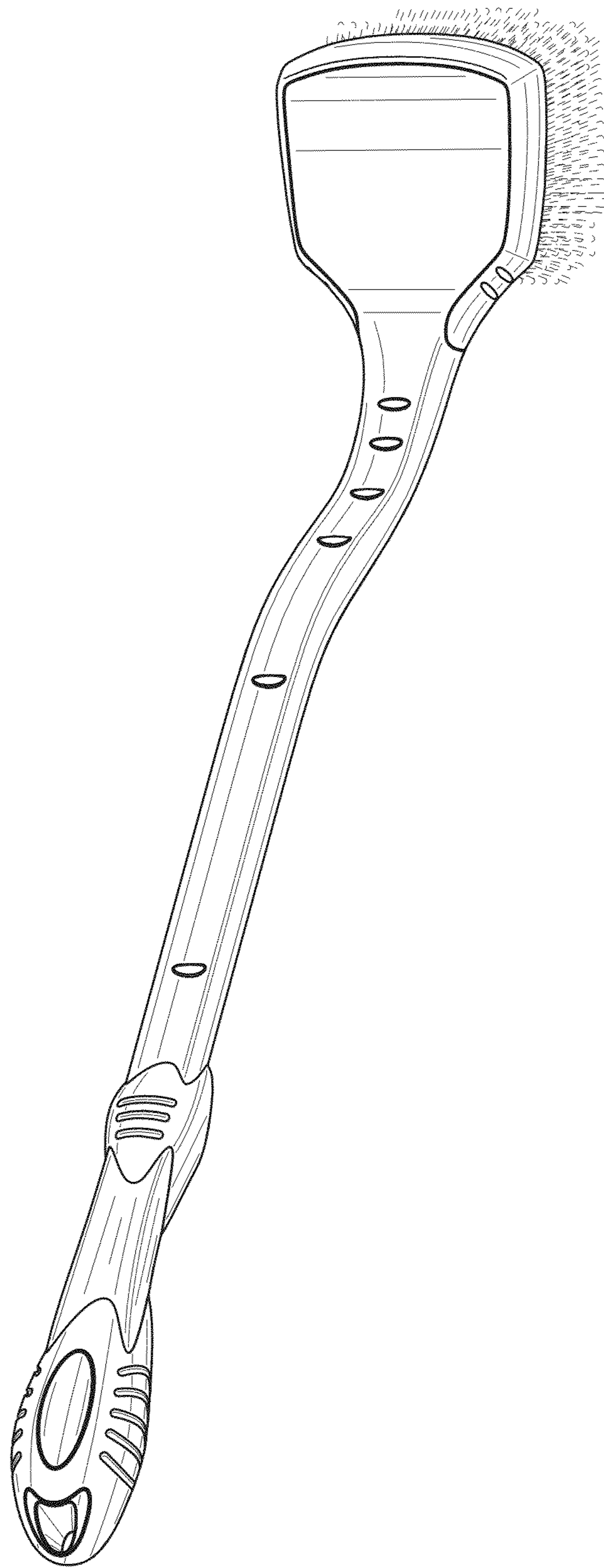


FIG. 1

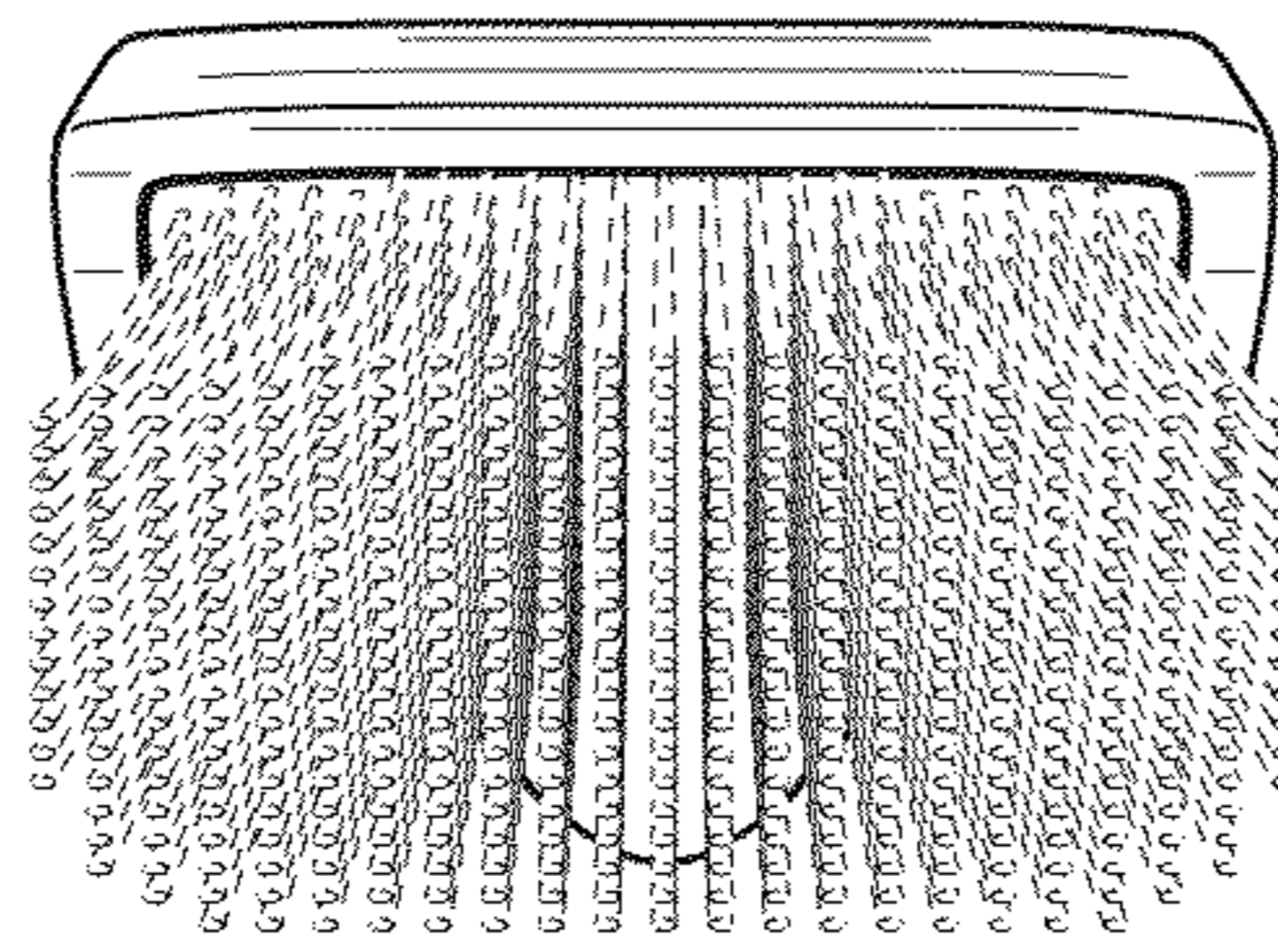


FIG. 2

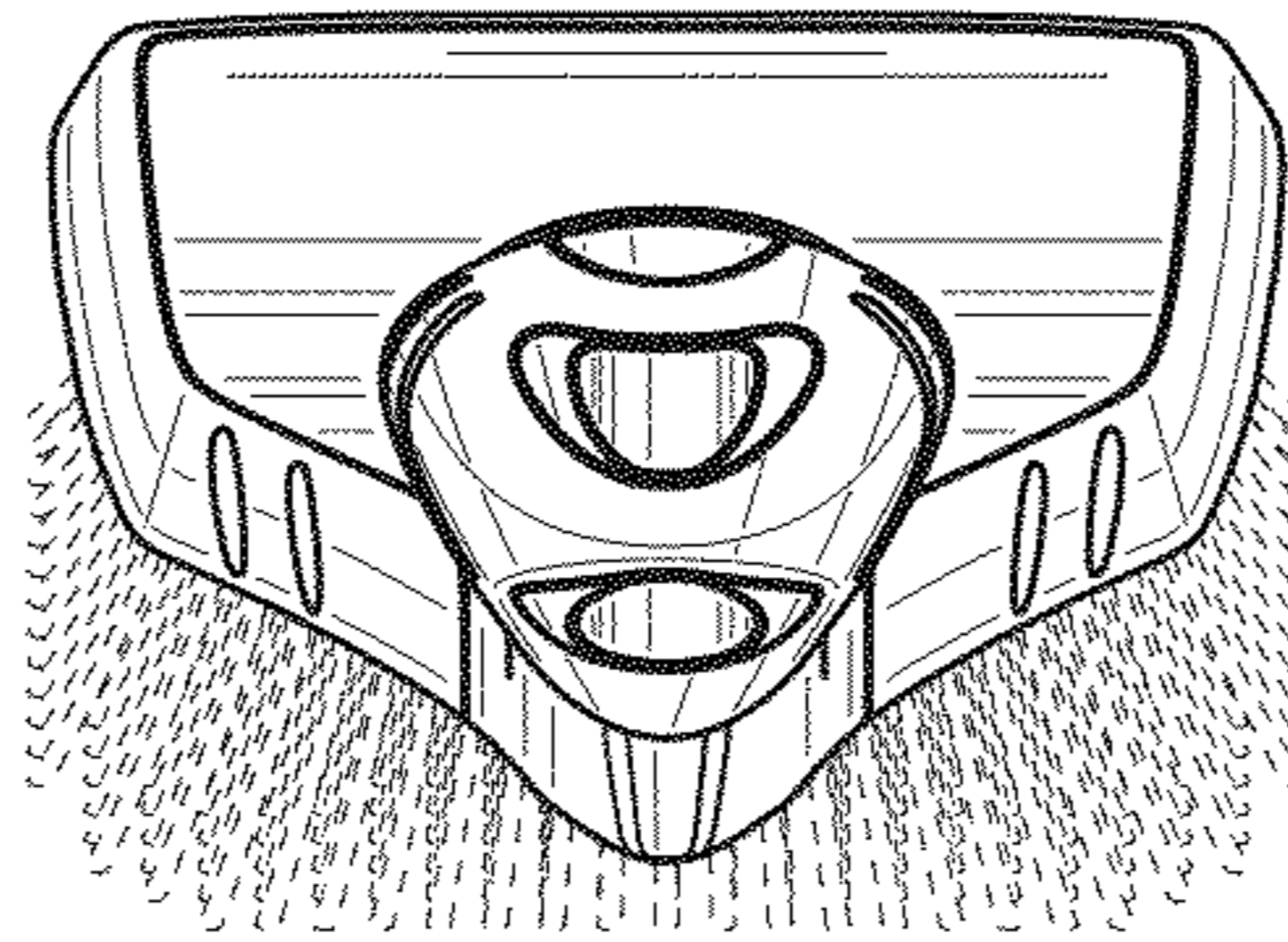


FIG. 3

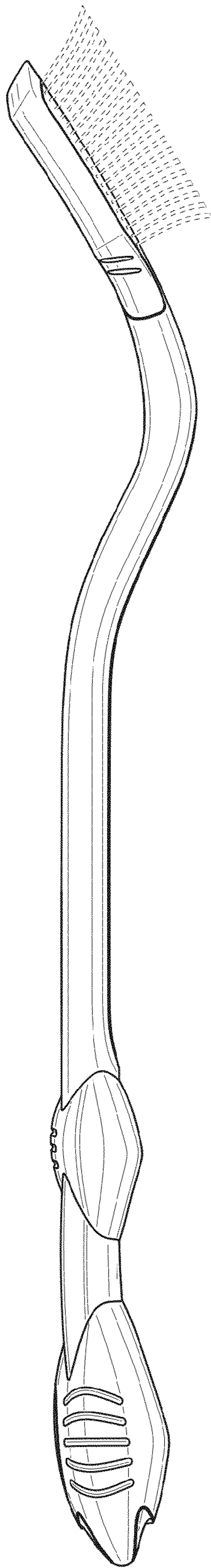


FIG. 4

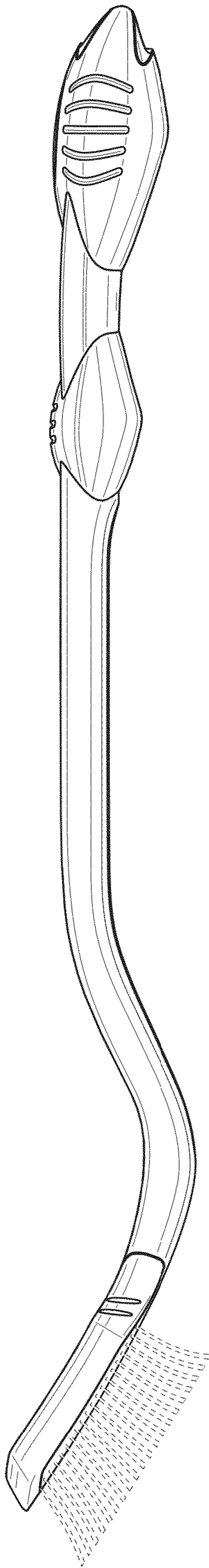


FIG. 5

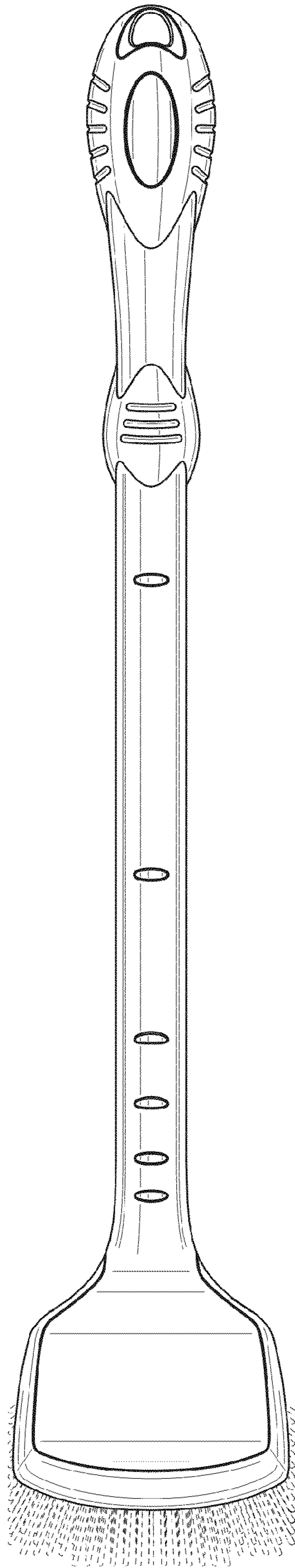


FIG. 6

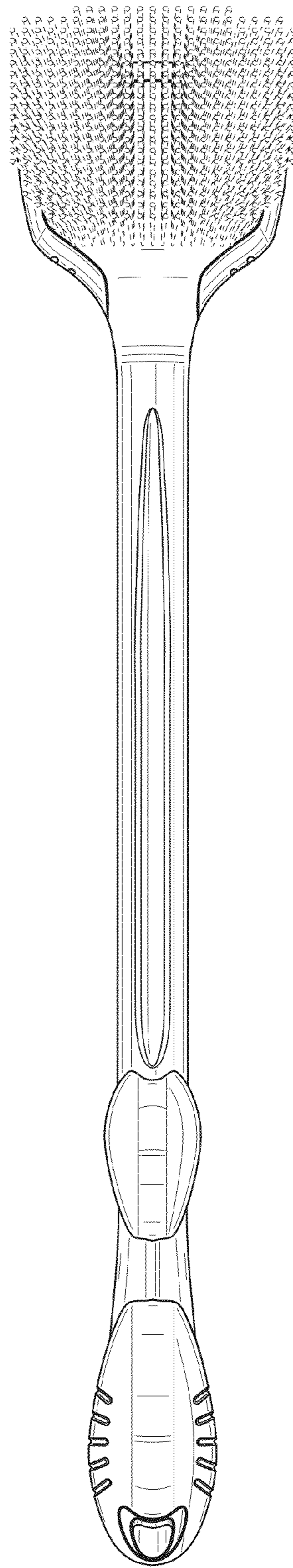


FIG. 7