



US00D704449S

(12) **United States Design Patent**
Ihde et al.

(10) **Patent No.:** **US D704,449 S**

(45) **Date of Patent:** **** May 13, 2014**

(54) **SNOW BRUSH HANDLE**

(71) Applicant: **Hopkins Manufacturing Corporation,**
Emporia, KS (US)

(72) Inventors: **David Ihde,** Admire, KS (US); **Jimmie Barnes, Jr.,** Emporia, KS (US)

(73) Assignee: **Hopkins Manufacturing Corporation,**
Emporia, KS (US)

(**) Term: **14 Years**

(21) Appl. No.: **29/457,035**

(22) Filed: **Jun. 6, 2013**

(51) **LOC (10) Cl.** **04-01**

(52) **U.S. Cl.**
USPC **D4/129; D4/118; D4/138**

(58) **Field of Classification Search**
USPC D4/118, 129, 134, 138; D32/42, 46, 49;
15/111, 117, 236.01, 236.02, 236.05,
15/245; 16/430

See application file for complete search history.

(56) **References Cited**

U.S. PATENT DOCUMENTS

D441,198 S * 5/2001 Primeau D4/118
D501,727 S * 2/2005 Liu D4/118

D560,364 S * 1/2008 Barnes et al. D4/118
D562,000 S * 2/2008 Liu D4/118
D564,230 S * 3/2008 Schouten D4/118
D652,218 S * 1/2012 Hoffelner D4/118

* cited by examiner

Primary Examiner — Melanie H Tung

Assistant Examiner — Lavone D Tabor

(74) *Attorney, Agent, or Firm* — George R. McGuire; Bond
Schoeneck & King, PLLC

(57) **CLAIM**

The ornamental design for a snow brush handle, as shown and described.

DESCRIPTION

FIG. 1 is a perspective view of a snow brush handle, the brush head and scraper being shown in broken lines to illustrate environmental structure of the handle that forms no part of the claimed design;

FIG. 2 is a front elevation view thereof;

FIG. 3 is a rear elevation view thereof;

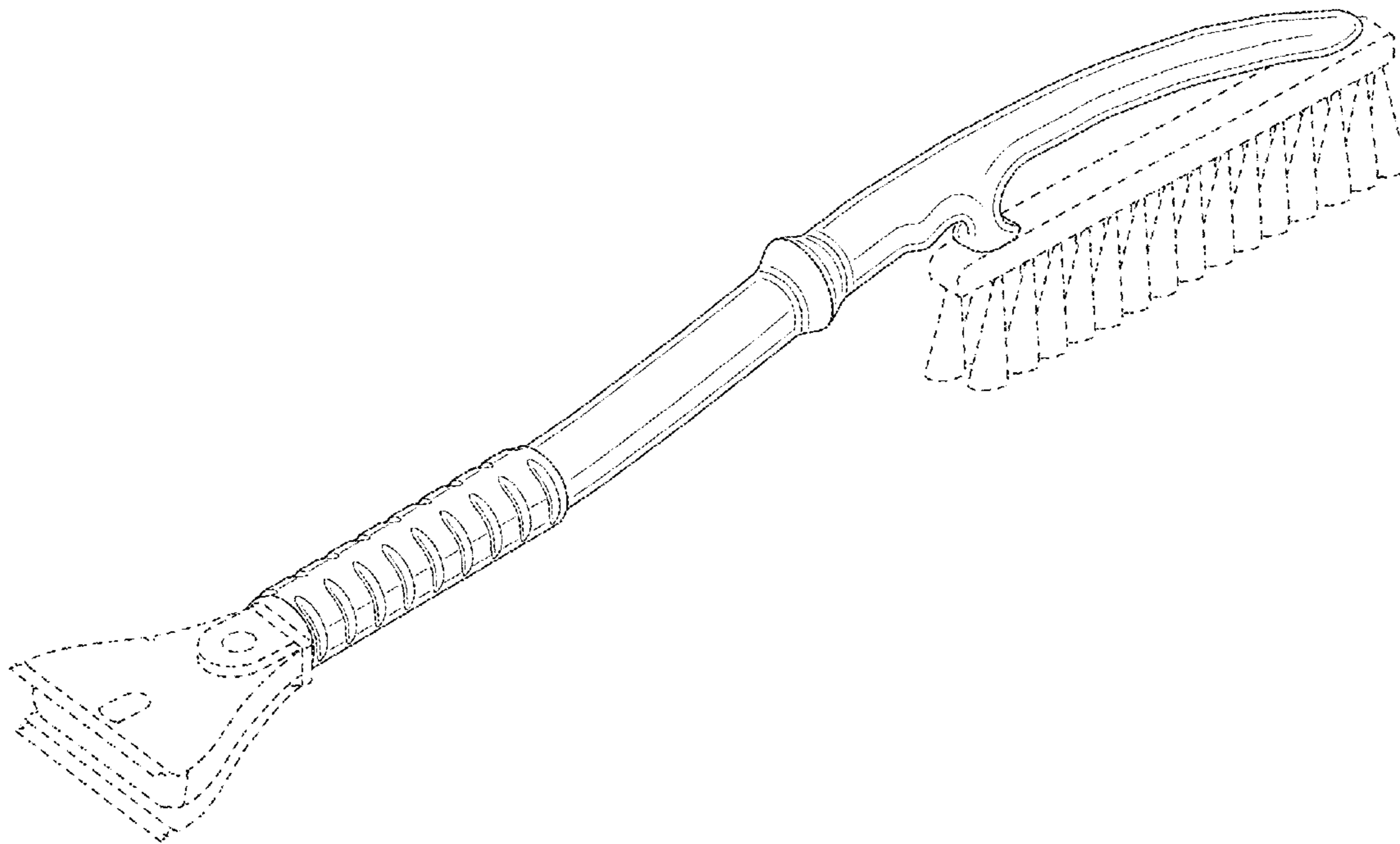
FIG. 4 is a first side elevation view thereof;

FIG. 5 is a second side elevation view thereof;

FIG. 6 is a top plan view thereof; and,

FIG. 7 is a bottom plan view thereof.

1 Claim, 5 Drawing Sheets



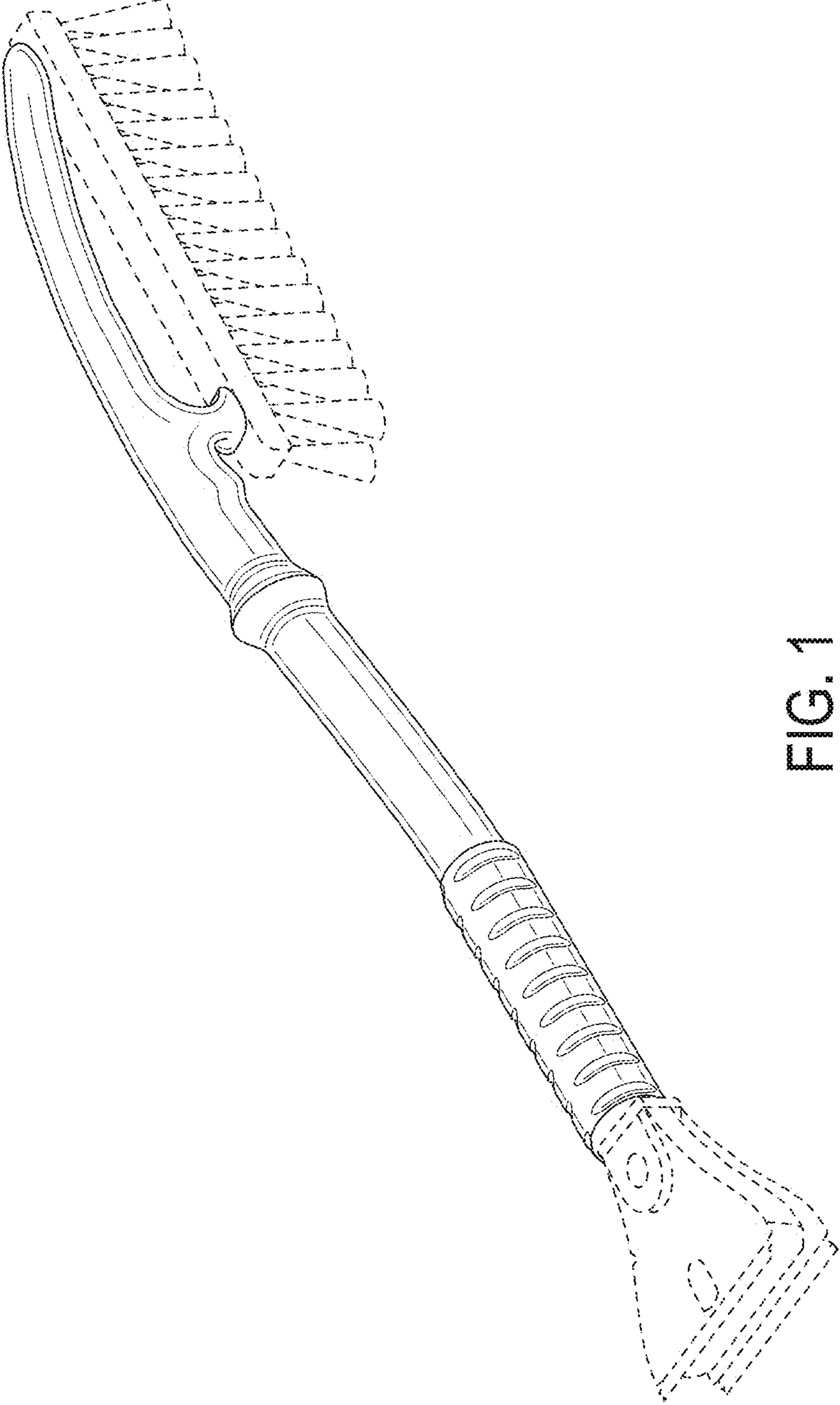


FIG. 1



FIG. 2

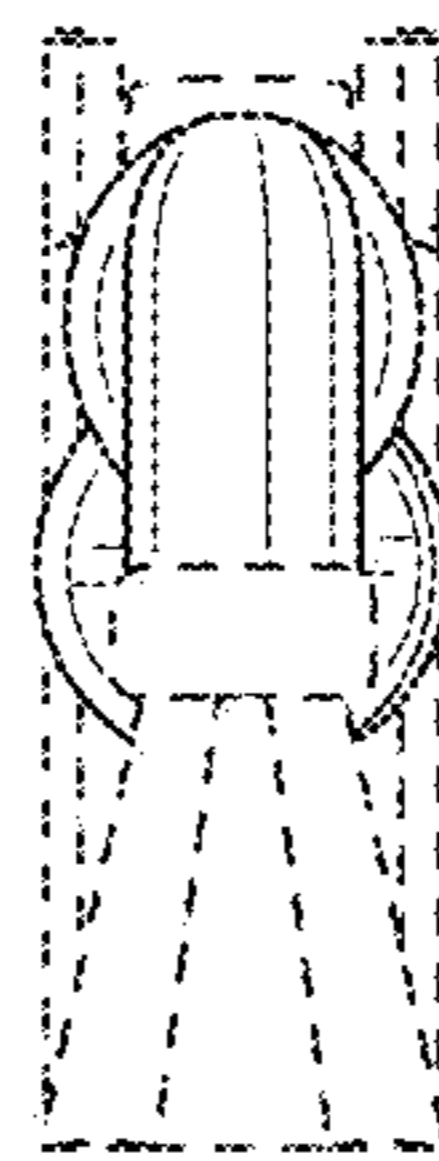


FIG. 3

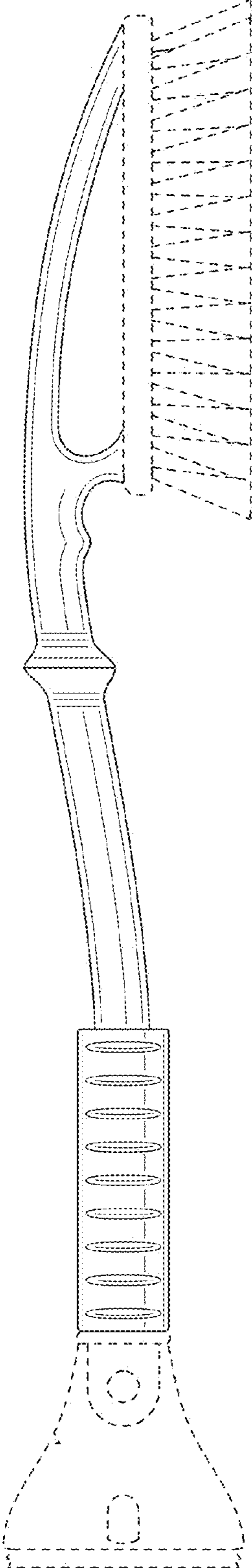


FIG. 4

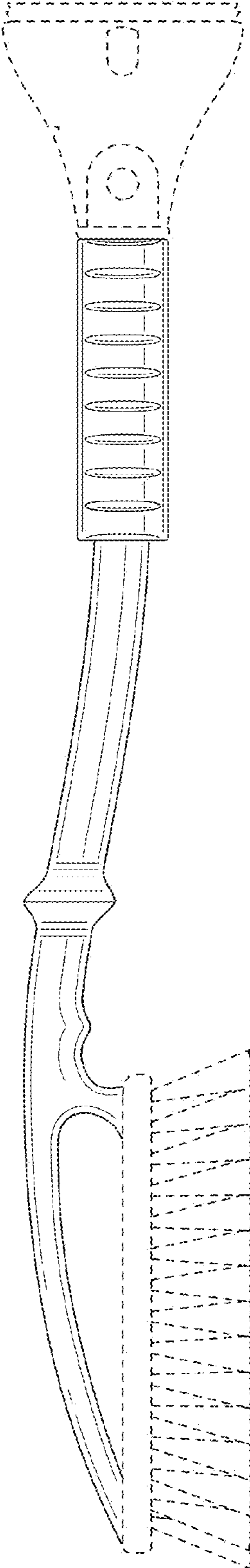


FIG. 5

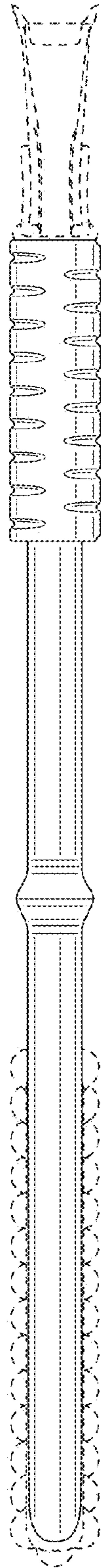


FIG. 6

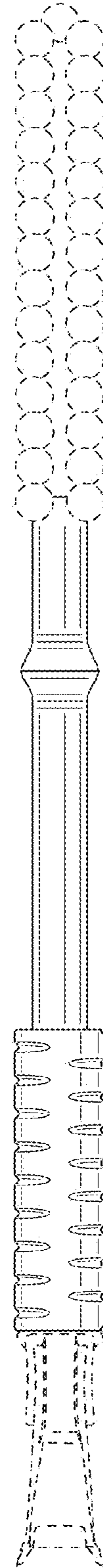


FIG. 7