

US00D704448S

(12) **United States Design Patent**
Weaver et al.

(10) **Patent No.:** **US D704,448 S**
(45) **Date of Patent:** **** May 13, 2014**

(54) **CLEANING IMPLEMENT**

(71) Applicant: **Quickie Manufacturing Corporation,**
Cinnaminson, NJ (US)

(72) Inventors: **Jace Weaver,** Gilbertsville, PA (US);
Michael Schiavo, Mt. Ephraim, NJ (US)

(73) Assignee: **Quickie Manufacturing Corporation,**
Cinnaminson, NJ (US)

(**) Term: **14 Years**

(21) Appl. No.: **29/452,759**

(22) Filed: **Apr. 22, 2013**

(51) **LOC (10) Cl.** **04-01**

(52) **U.S. Cl.**

USPC **D4/118; D4/130; D4/199**

(58) **Field of Classification Search**

CPC A46B 1/00; A46B 5/02; A46B 5/021;
A46B 5/025; A46B 5/026; A46B 15/00;
A46B 15/0055; A46B 15/0081; A46B 17/08;
A46B 2200/1006; A46B 2200/1013; A46B
2200/30; A46B 2200/3033; A46B 2200/3046;
A46B 2200/306; A46B 2200/3073; A47L
13/06; A47L 13/10

USPC D4/118, 130, 138, 199; D32/40, 50, 52;
15/111, 143.1, 159.1, 160, 186-188

See application file for complete search history.

(56) **References Cited**

U.S. PATENT DOCUMENTS

107,397 A * 9/1870 Minderle 15/143.1
714,215 A * 11/1902 Martin 15/111
1,398,864 A * 11/1921 Kelly 15/171
D280,267 S * 8/1985 Bryant et al. D4/130
D404,575 S * 1/1999 Vetter D4/130
D412,065 S * 7/1999 Berti D4/199
D487,973 S * 4/2004 Vosbikian D4/132

OTHER PUBLICATIONS

AU 124136 S Registered Design, (The Decor Corp Pty Ltd), Jul. 24, 1995, [online], [retrieved on Mar. 6, 2014] Retrieved from the Australian Designs Database using the Internet: <URL: http://ipaustrialia.gov.au>.*

CN 300937677D Registered Design, (Dai, Baosen) Jun. 10, 2009, [online], [retrieved on Mar. 6, 2014] Retrieved from the State Intellectual Property Office's CNIPR Database using the Internet: <URL: http://www.cnipr.com>.*

DE 40603004-0011 Registered Design, (Braun GmbH) Oct. 10, 2006, [online], [retrieved on Sep. 27, 2013]. Retrieved from the Designs Register of the German Patent and Trade Mark Office using the Internet: <URL: http://register.dmpa.de>.*

Quickie Manufacturing Corporation, © 2004 [online], Scrub Brushes—Items 203 & 204 on p. 2 [retrieved on Sep. 25, 2007] Retrieved from the Internet using Web Archive: <URL: http://web.archive.org/web/*/http://www.quickie.com>.*

* cited by examiner

Primary Examiner — Melanie H Tung

Assistant Examiner — Lavone D Tabor

(74) *Attorney, Agent, or Firm* — Jason F. Cotter; Gregory J. Winsky; Archer & Greiner, P.C.

(57) **CLAIM**

The ornamental design for a cleaning implement, as shown and described.

DESCRIPTION

FIG. 1 is a perspective view of a cleaning implement showing our new design;

FIG. 2 is a top plan view thereof;

FIG. 3 is a bottom plan view thereof;

FIG. 4 is a right side elevational view thereof;

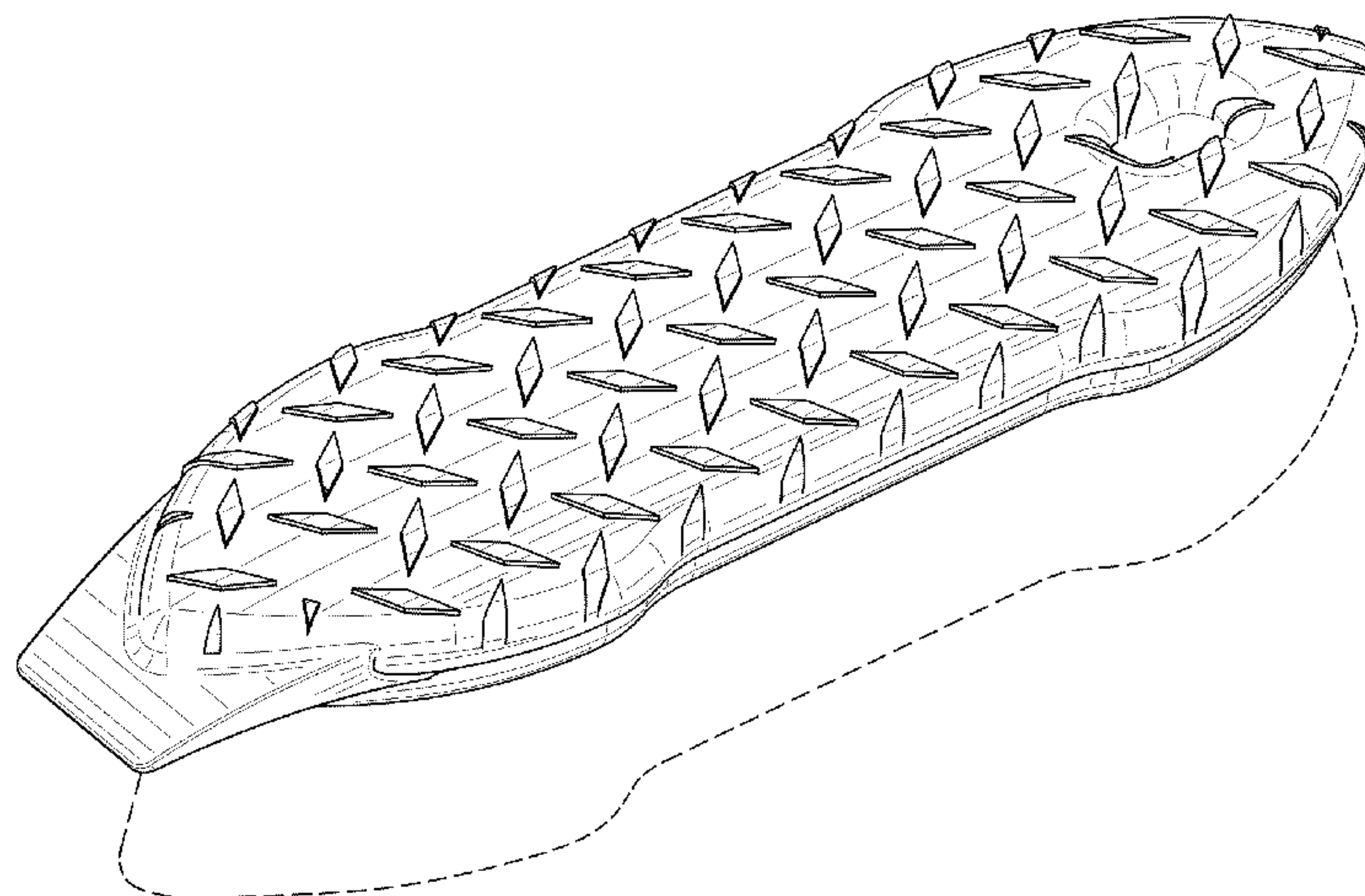
FIG. 5 is a left side elevational view thereof;

FIG. 6 is a front elevational view thereof; and,

FIG. 7 is a rear elevational view thereof.

The broken lines shown in the drawings represent unclaimed portions of the cleaning implement and form no part of the claimed design.

1 Claim, 4 Drawing Sheets



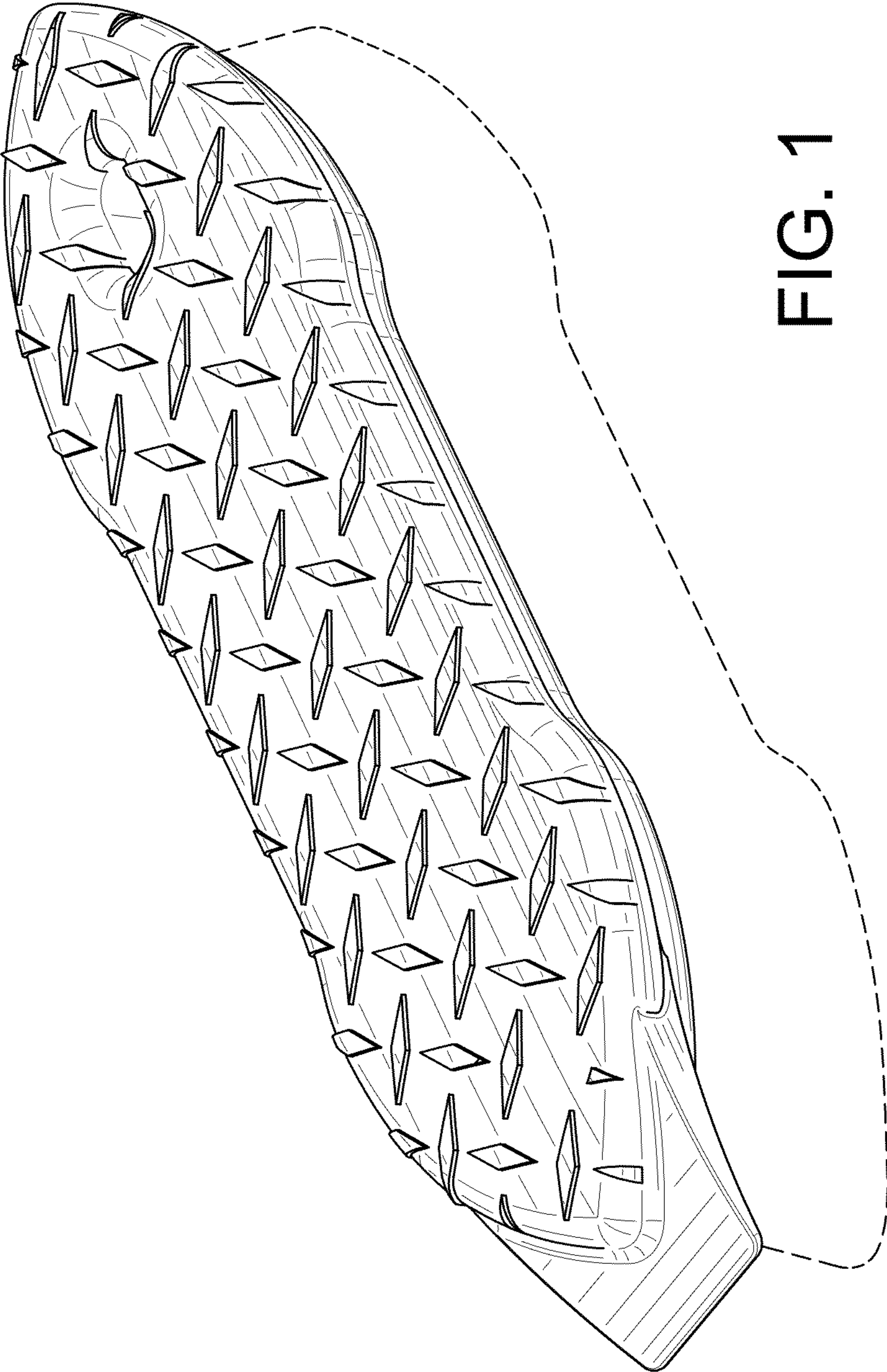


FIG. 1

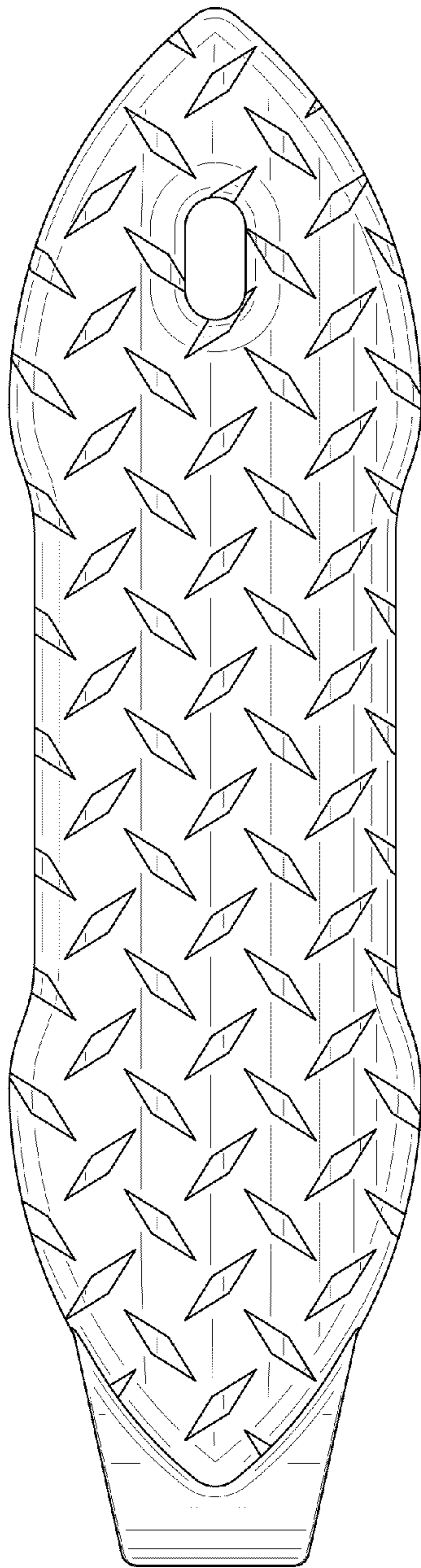


FIG. 2

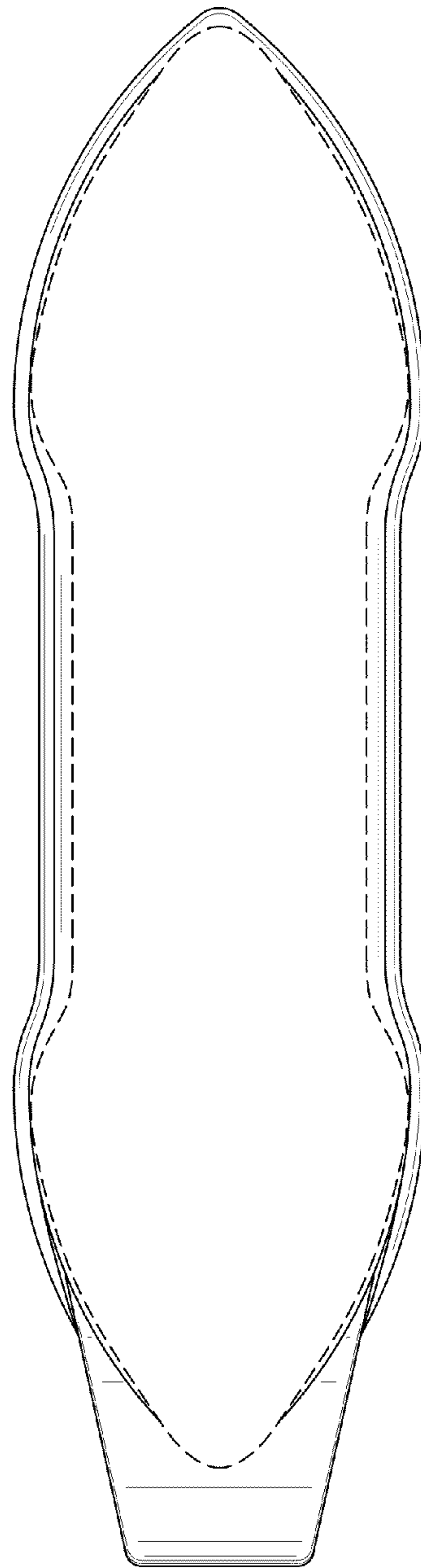


FIG. 3

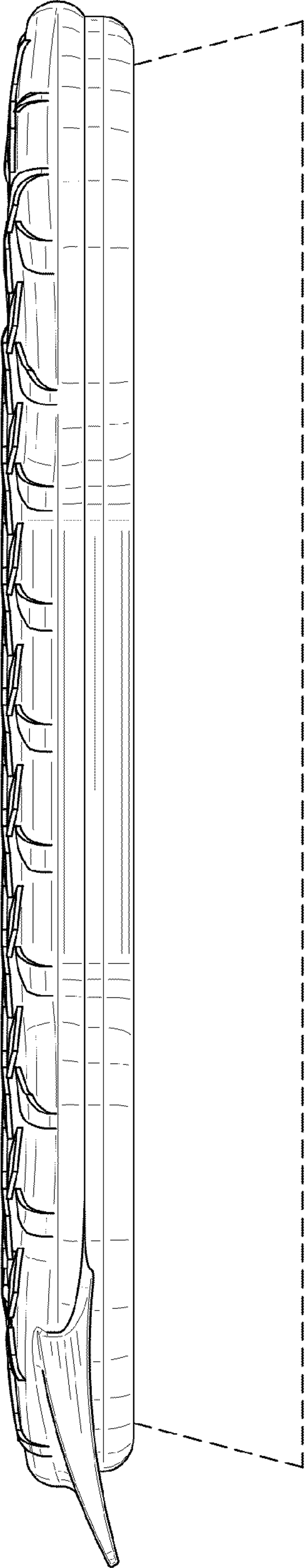


FIG. 4

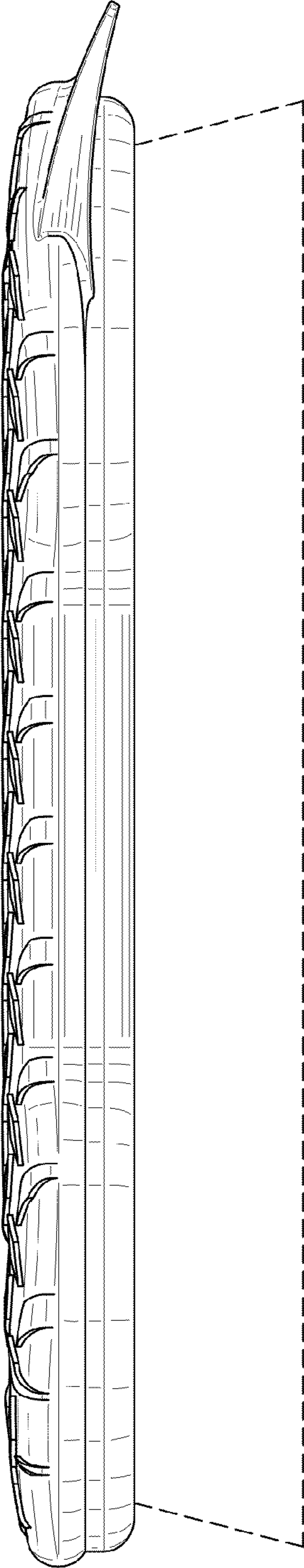


FIG. 5

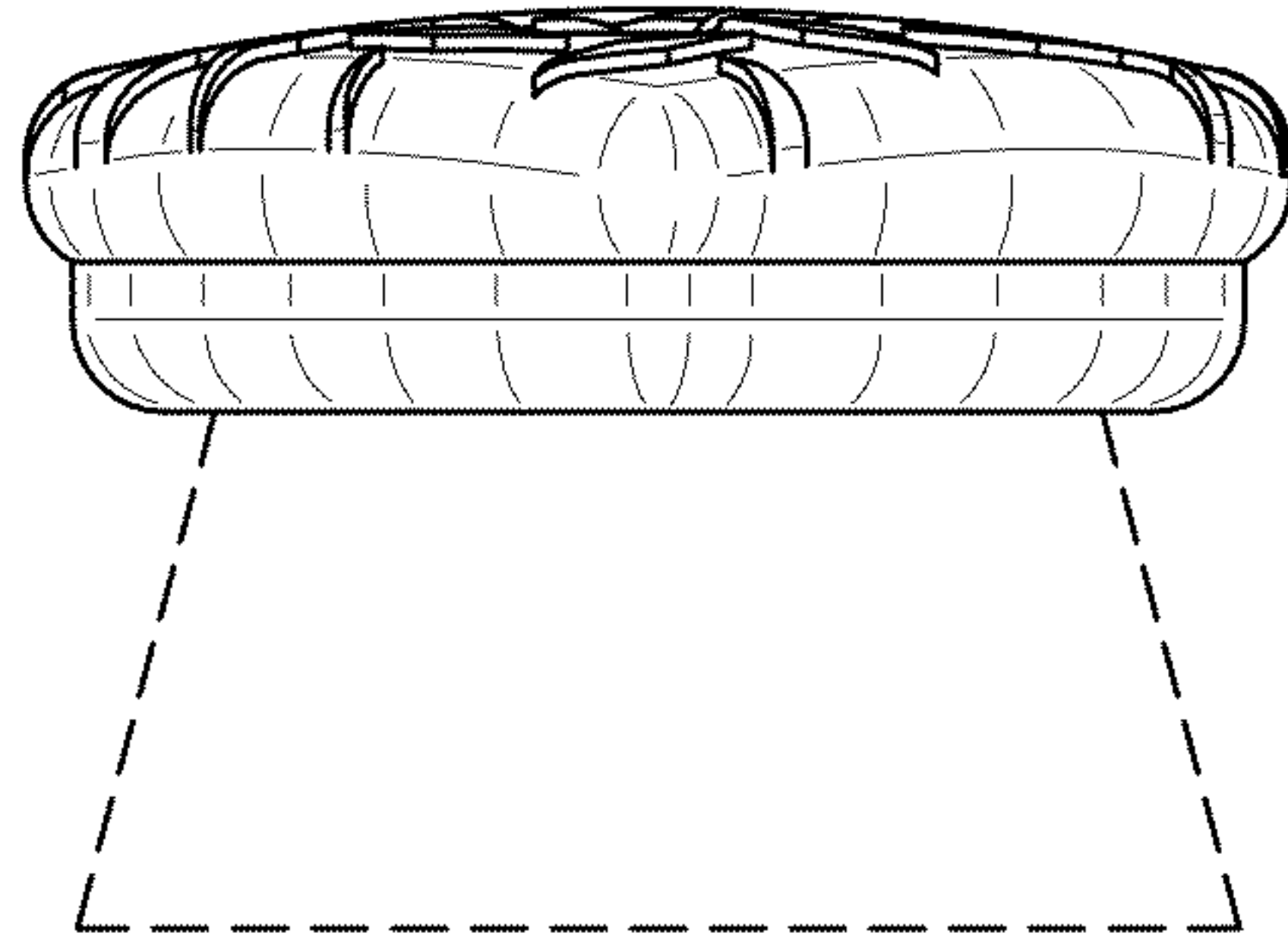


FIG. 6

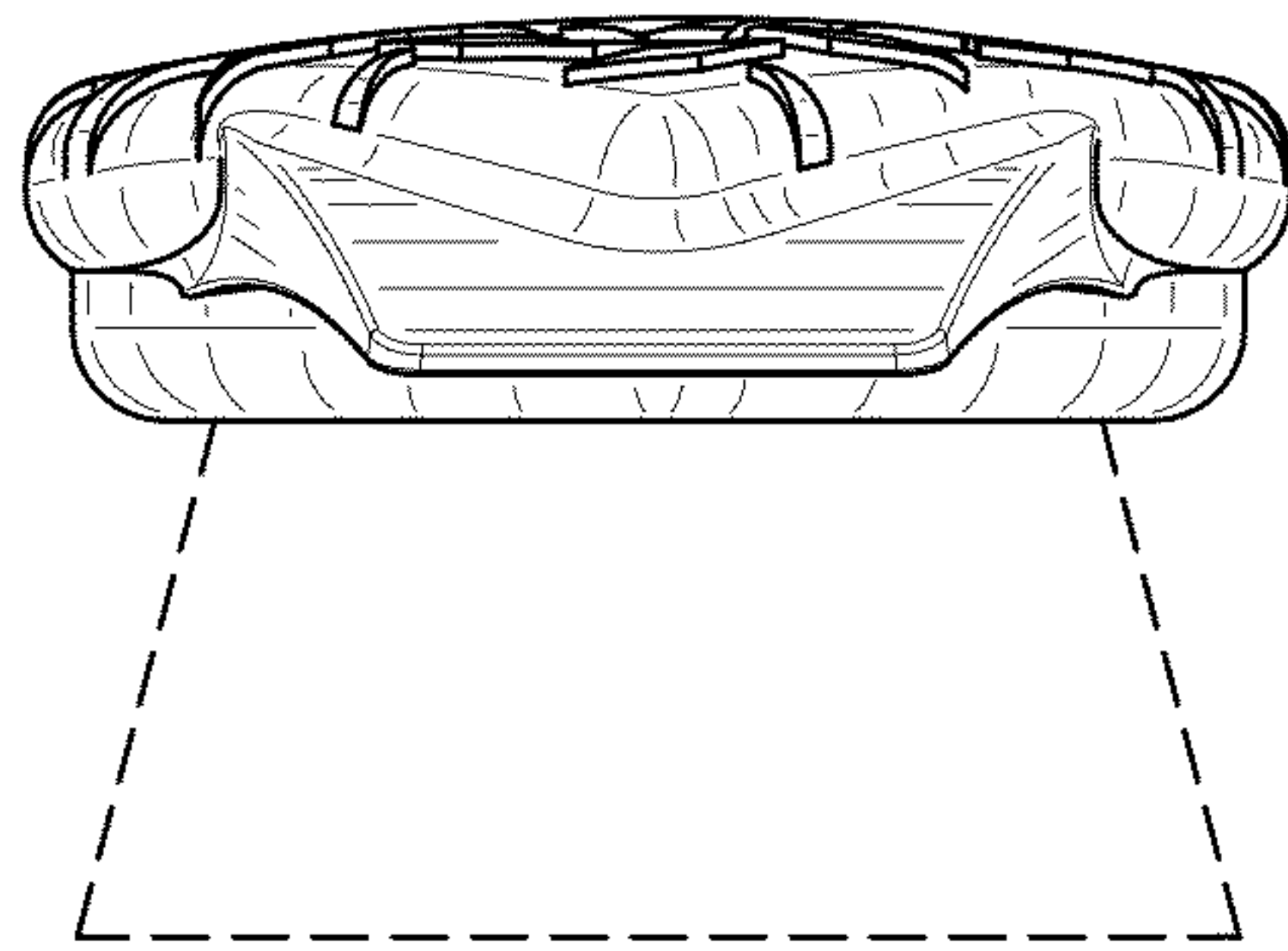


FIG. 7