

US00D704444S

(12) **United States Design Patent**
Scherbing

(10) **Patent No.:** **US D704,444 S**

(45) **Date of Patent:** **** May 13, 2014**

(54) **NESTING BOX**

(71) Applicant: **Miller Manufacturing Company,**
Eagan, MN (US)

(72) Inventor: **Gerald Scherbing,** Minneapolis, MN
(US)

(73) Assignee: **Miller Manufacturing Company,**
Eagan, MN (US)

(**) Term: **14 Years**

(21) Appl. No.: **29/452,331**

(22) Filed: **Apr. 15, 2013**

(51) **LOC (10) Cl.** **03-01**

(52) **U.S. Cl.**

USPC **D3/304**

(58) **Field of Classification Search**

USPC D3/304–315, 201, 203.1–203.3;

D6/525; D19/100; 206/307.1, 203,

206/214–215, 822; 229/100, 913–914, 406

See application file for complete search history.

(56) **References Cited**

U.S. PATENT DOCUMENTS

3,113,680	A	*	12/1963	Frater et al.	211/126.4
D205,866	S	*	9/1966	Asenbauer	D3/304
3,478,892	A	*	11/1969	Lockwood	211/126.2
3,534,866	A	*	10/1970	Asenbauer	211/126.2
D301,927	S	*	6/1989	Williams, Jr.	D3/304
D327,561	S	*	6/1992	Hradisky	D3/307
D327,971	S	*	7/1992	Cugley	D3/304
D364,524	S	*	11/1995	Bassler et al.	D6/567
D467,732	S	*	12/2002	Taylor et al.	D3/304
D517,319	S	*	3/2006	Wisnoski et al.	D3/304
D581,159	S	*	11/2008	Neilsen	D3/304

D582,190	S	*	12/2008	Valiulis et al.	D6/567
D583,562	S	*	12/2008	Ghiorghie	D3/304
D589,728	S	*	4/2009	Shaha et al.	D6/510
D606,314	S	*	12/2009	Neilsen	D3/313
D640,489	S	*	6/2011	Tuholski	D6/574
D645,902	S	*	9/2011	Tsai	D19/90
D651,801	S	*	1/2012	Brown	D3/304
D681,119	S	*	4/2013	Stravitz	D19/85
D683,962	S	*	6/2013	Brunner	D3/304
2009/0178989	A1	*	7/2009	Accuardi	211/126.7

OTHER PUBLICATIONS

ruggedranch.net, "Rugged Ranch," content copyright 2013, accessed at www.ruggedranch.net/Poultry.html on Jul. 19, 2013, 5 pages.

Ware Manufacturing, Inc., "Chick-N-Nesting Box," accessed at http://www.waremfinc.com/waresitemap.aspx on Jul. 19, 2013, 1 page.

* cited by examiner

Primary Examiner — Kelley Donnelly

(74) *Attorney, Agent, or Firm* — Merchant & Gould P.C.

(57) **CLAIM**

The ornamental design for a nesting box, as shown.

DESCRIPTION

FIG. 1 is a perspective view of the nesting box.

FIG. 2 is a front view of the nesting box of FIG. 1.

FIG. 3 is a side view of the nesting box of FIG. 1.

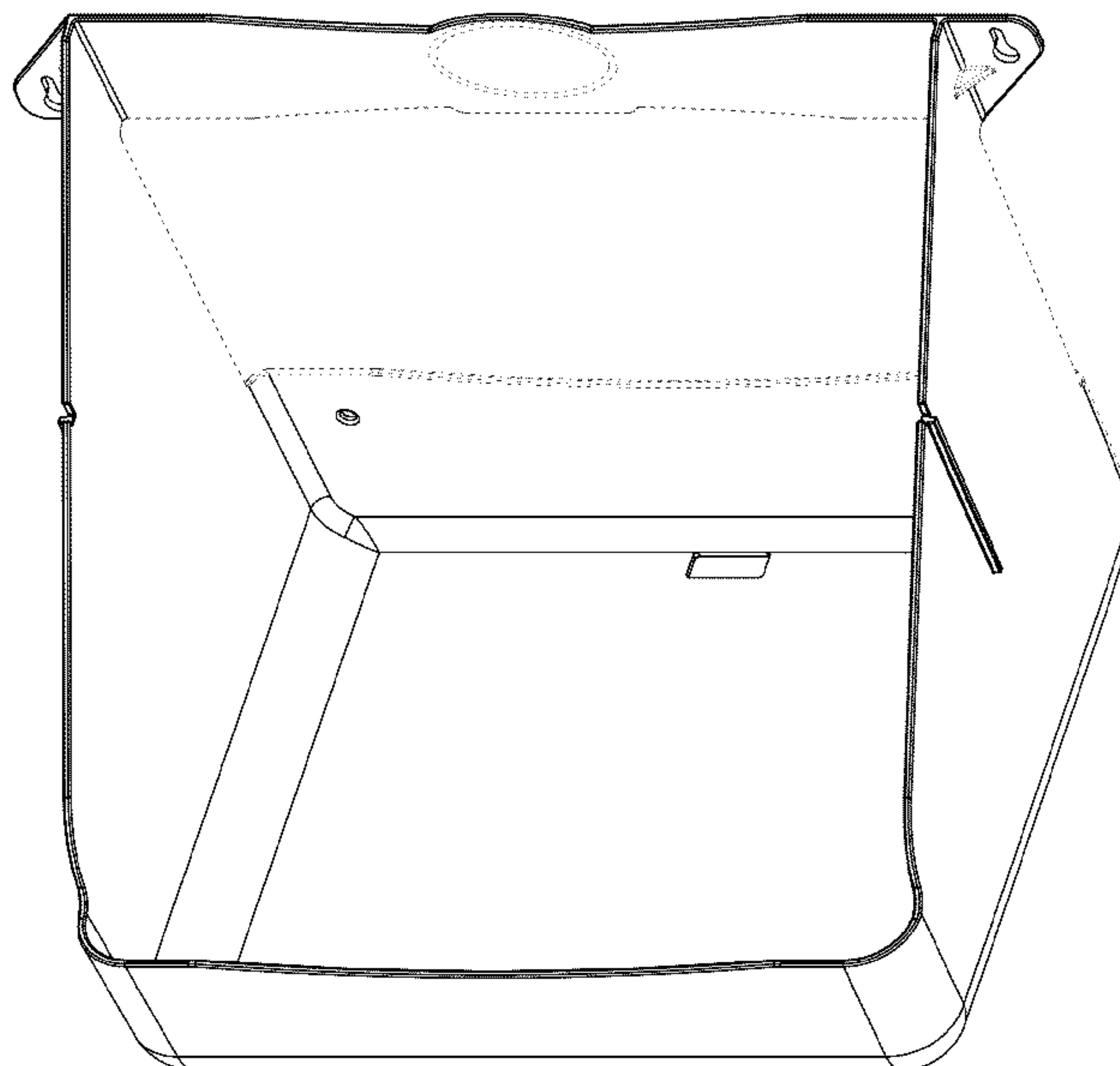
FIG. 4 is an opposite side view of the nesting box of FIG. 1; and,

FIG. 5 is a top view of the nesting box of FIG. 1.

The bottom view (not shown) forms no part of the claimed design.

The broken line showing of aspects of the nesting box forms no part of the claimed design.

1 Claim, 5 Drawing Sheets



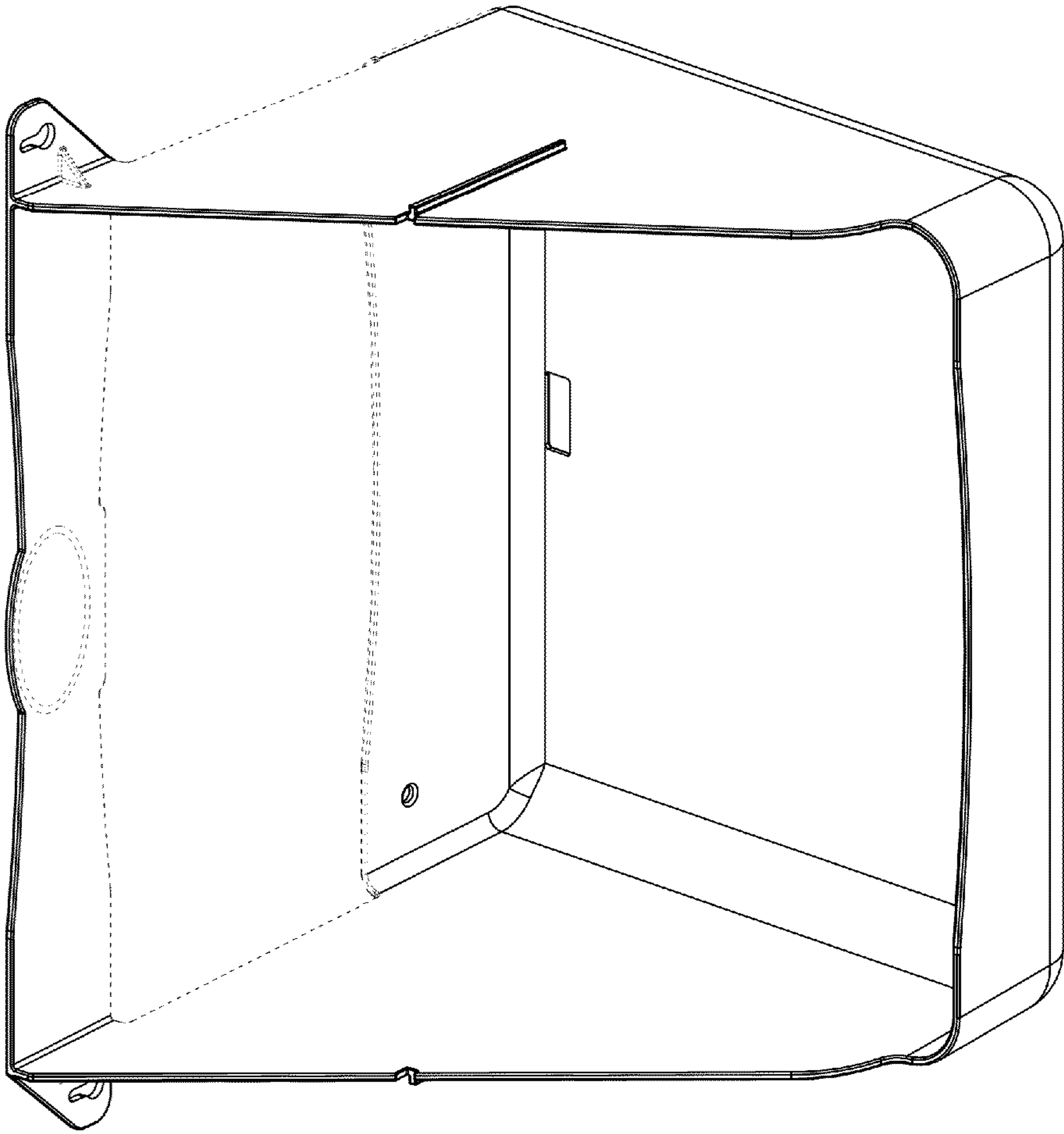


FIG. 1

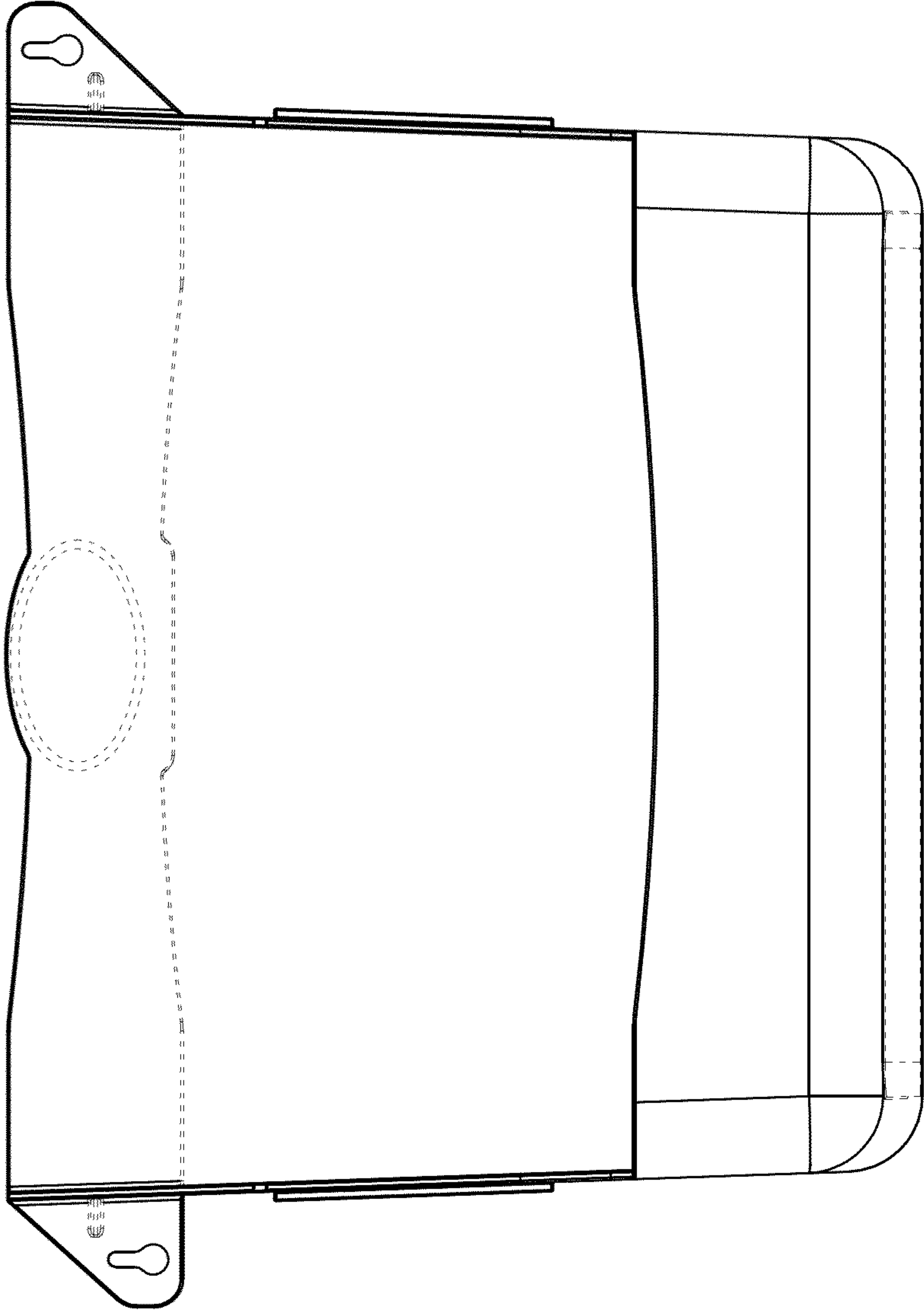


FIG. 2

FIG. 3

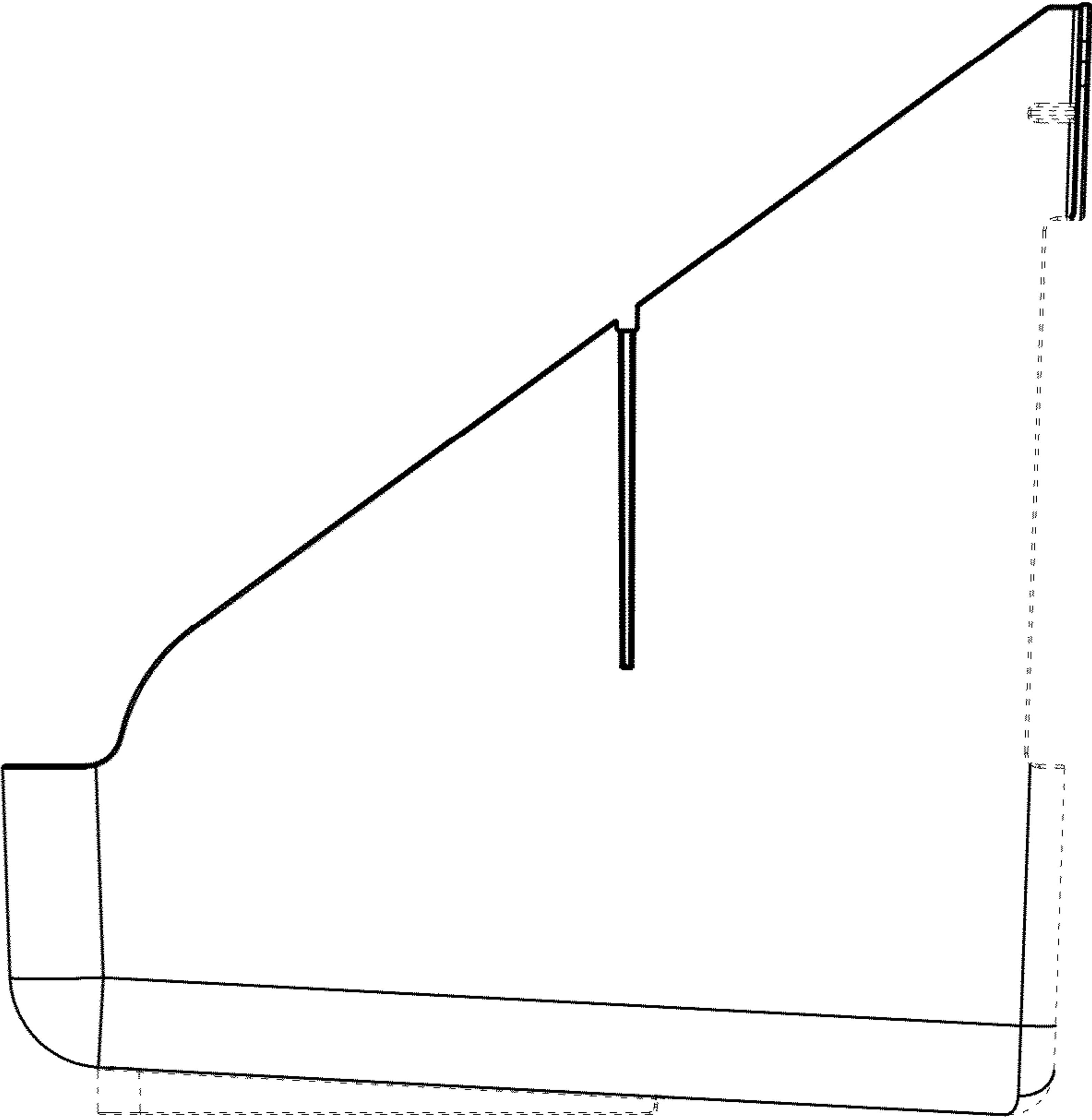
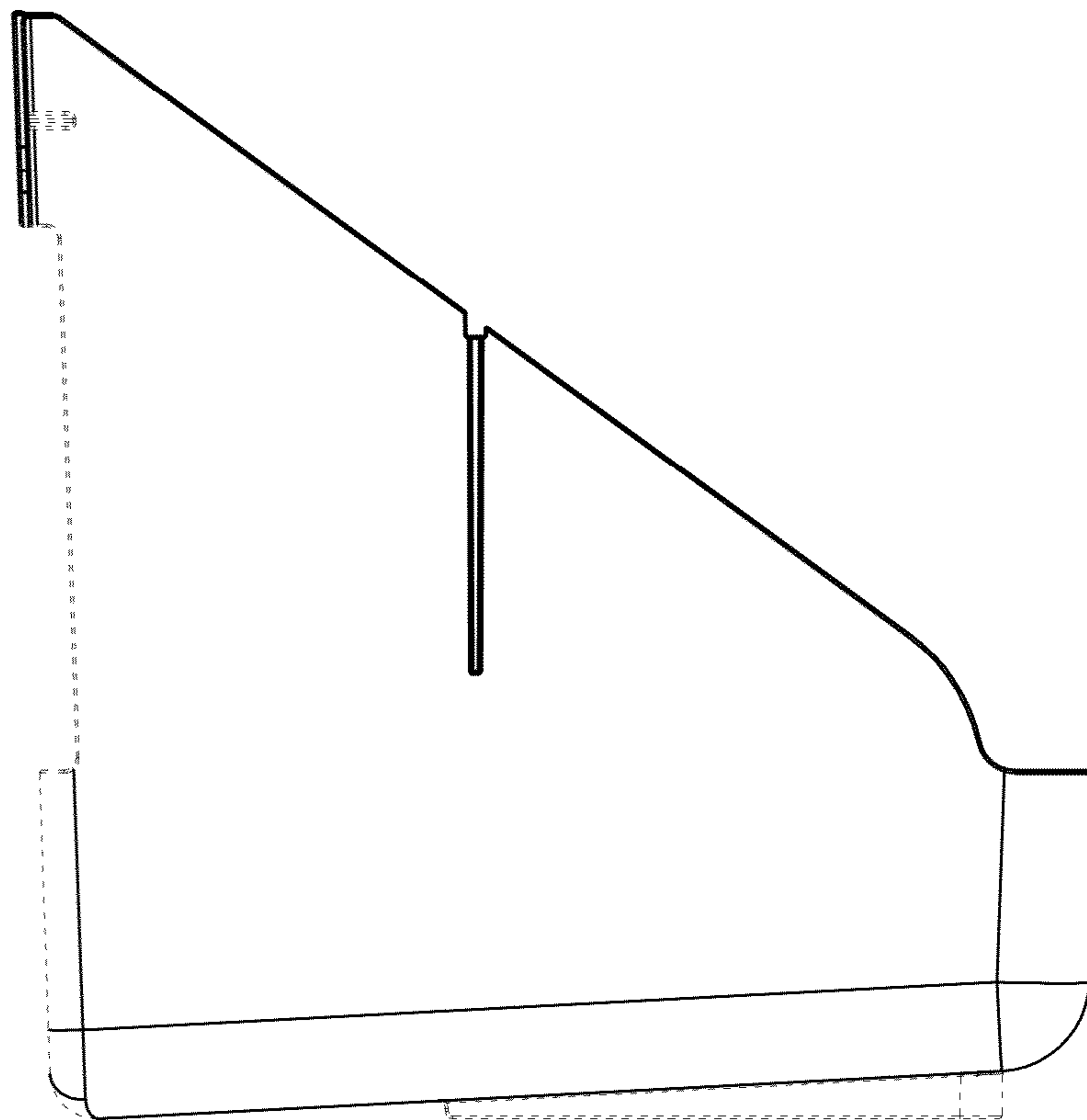


FIG. 4



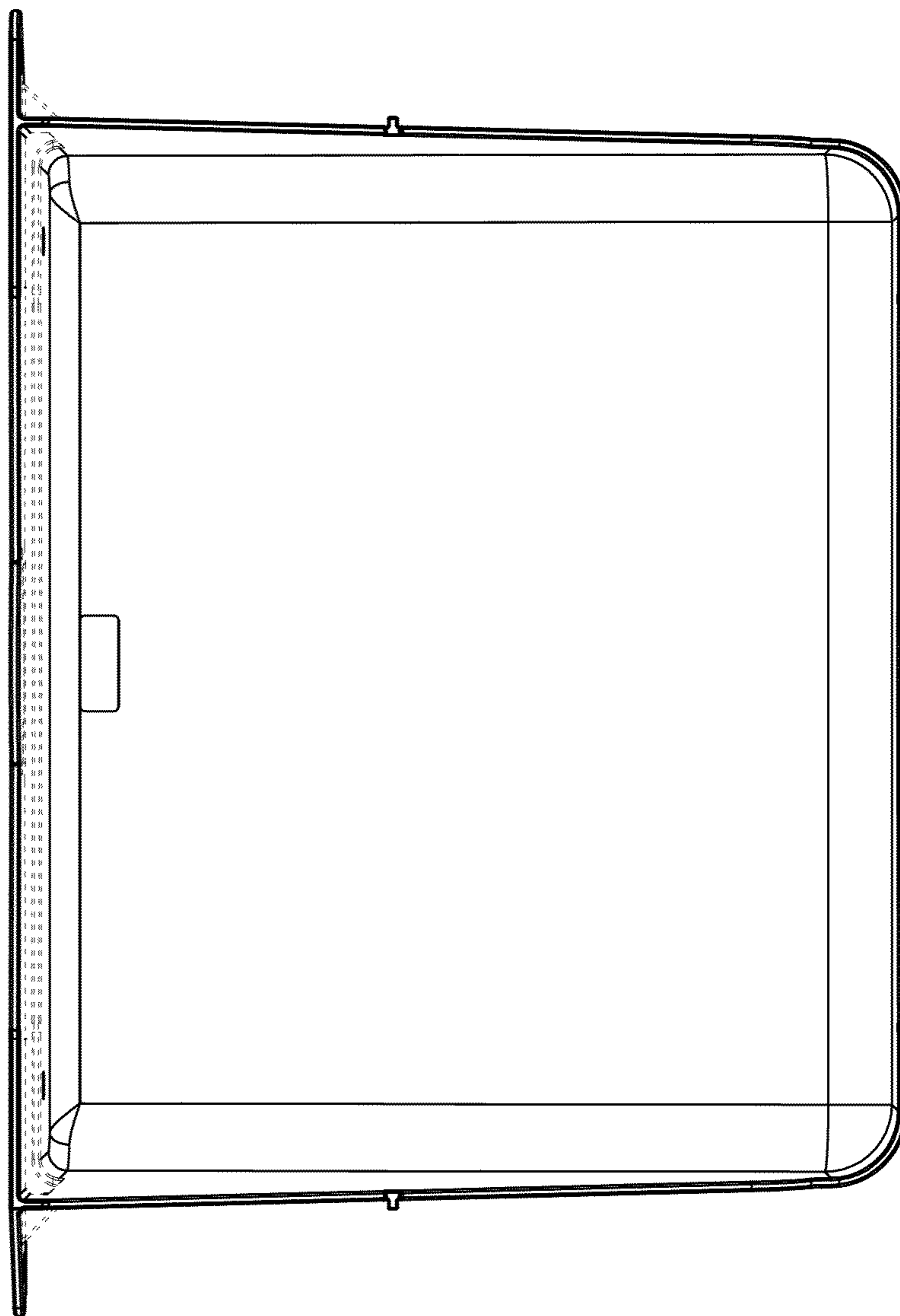


FIG. 5