



US00D704442S

(12) **United States Design Patent**
Chen

(10) **Patent No.:** **US D704,442 S**

(45) **Date of Patent:** **** May 13, 2014**

(54) **TOOL BOX**

(75) Inventor: **Yi-Ying Chen**, Tai Ping (TW)

(73) Assignee: **Inno Designer International Co., Ltd**,
Tai Ping Taichung (TW)

(**) Term: **14 Years**

(21) Appl. No.: **29/426,649**

(22) Filed: **Jul. 9, 2012**

(51) **LOC (10) Cl.** **03-01**

(52) **U.S. Cl.**

USPC **D3/294**; D3/905

(58) **Field of Classification Search**

USPC D3/273, 276, 281, 282, 283–286,
D3/294–297, 905; 220/523, 524, 527,
220/4.27; 206/349, 372–379

See application file for complete search history.

(56) **References Cited**

U.S. PATENT DOCUMENTS

D419,768 S *	2/2000	Richardson et al.	D3/273
6,953,114 B2 *	10/2005	Wang	206/375
D527,182 S *	8/2006	Ham	D3/294
D552,352 S *	10/2007	Lin	D3/294
D572,479 S *	7/2008	Buck et al.	D3/282
D599,112 S *	9/2009	Wenchel et al.	D3/294

D605,853 S *	12/2009	Horiyama et al.	D3/281
D606,308 S *	12/2009	Cheng-Wei	D3/294
D624,316 S *	9/2010	Ferber et al.	D3/294
D636,996 S *	5/2011	Kokawa et al.	D3/282
D639,058 S *	6/2011	Chiu	D3/282
D660,440 S *	5/2012	Roehrig et al.	D3/294
2010/0320108 A1 *	12/2010	Riedel et al.	206/372

* cited by examiner

Primary Examiner — Jennifer Rivard

(57) **CLAIM**

The ornamental design for a tool box, as shown and described.

DESCRIPTION

FIG. 1 is a perspective view of a tool box showing my new design;

FIG. 2 is a front side view thereof;

FIG. 3 is a back side view thereof;

FIG. 4 is a right side view thereof;

FIG. 5 is a left side view thereof;

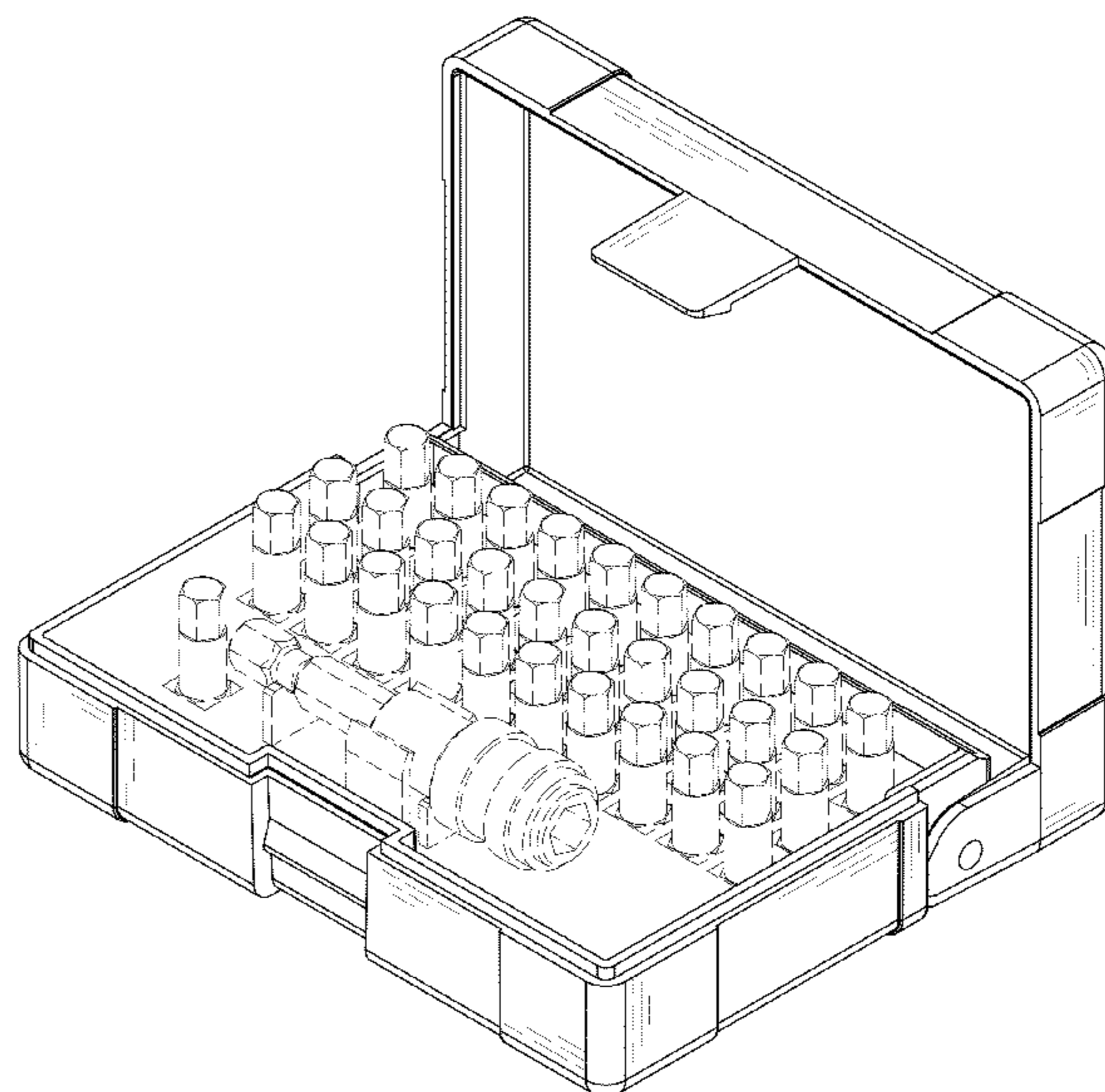
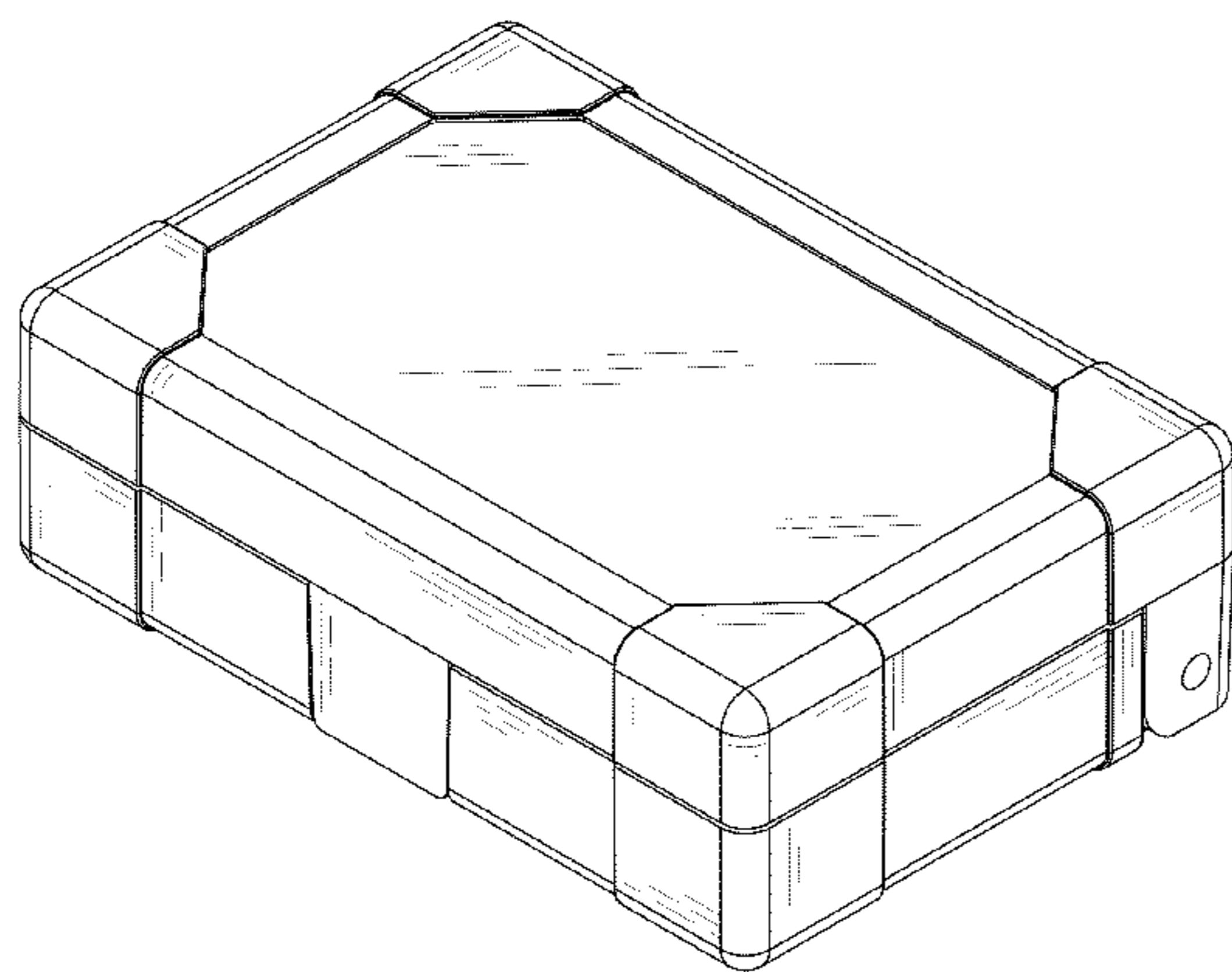
FIG. 6 is a top plan view thereof;

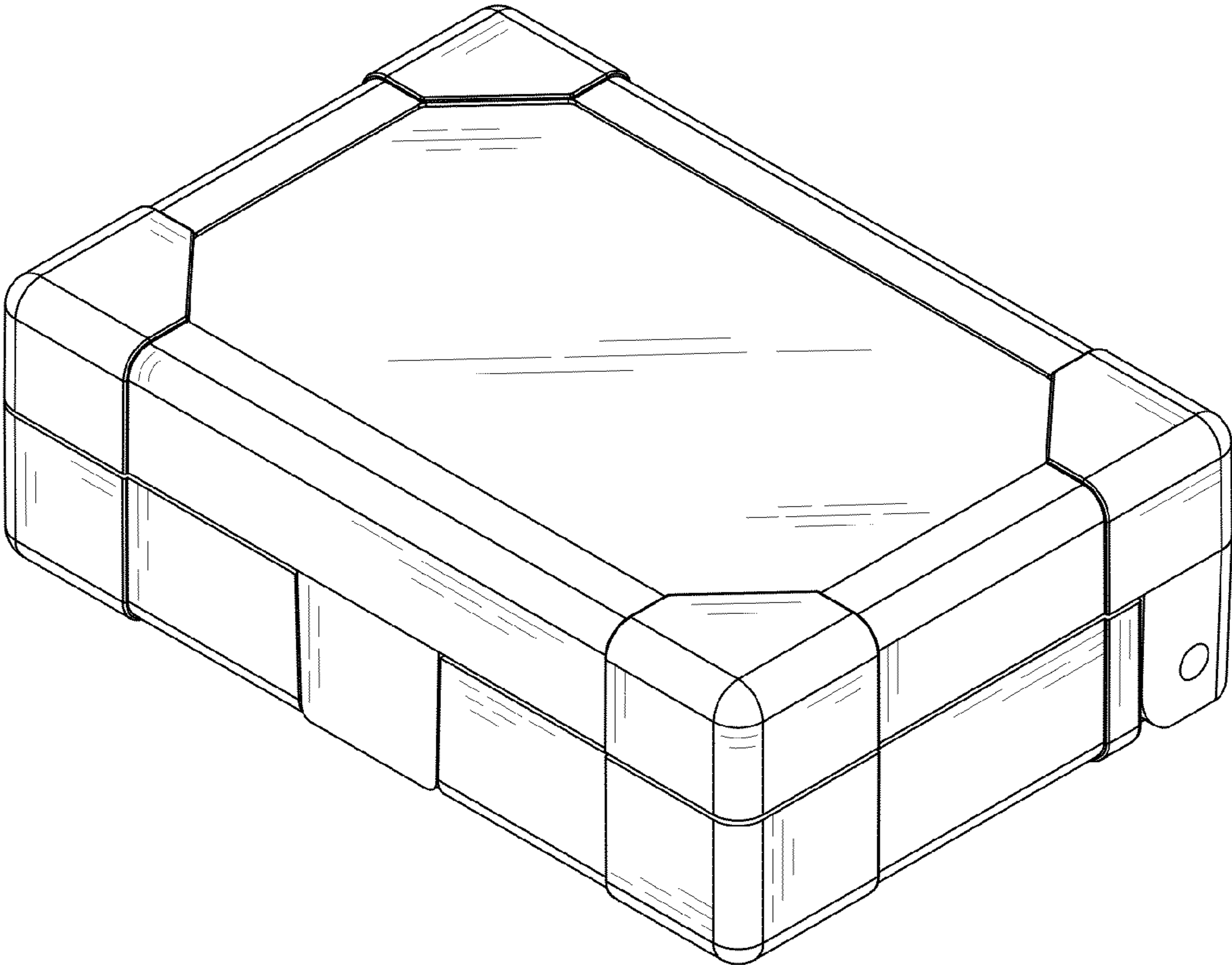
FIG. 7 is a bottom plan view thereof; and,

FIG. 8 is a perspective view.

The broken lines illustrate the environment of the tool box and form no part of the claimed design.

1 Claim, 5 Drawing Sheets





F I G . 1

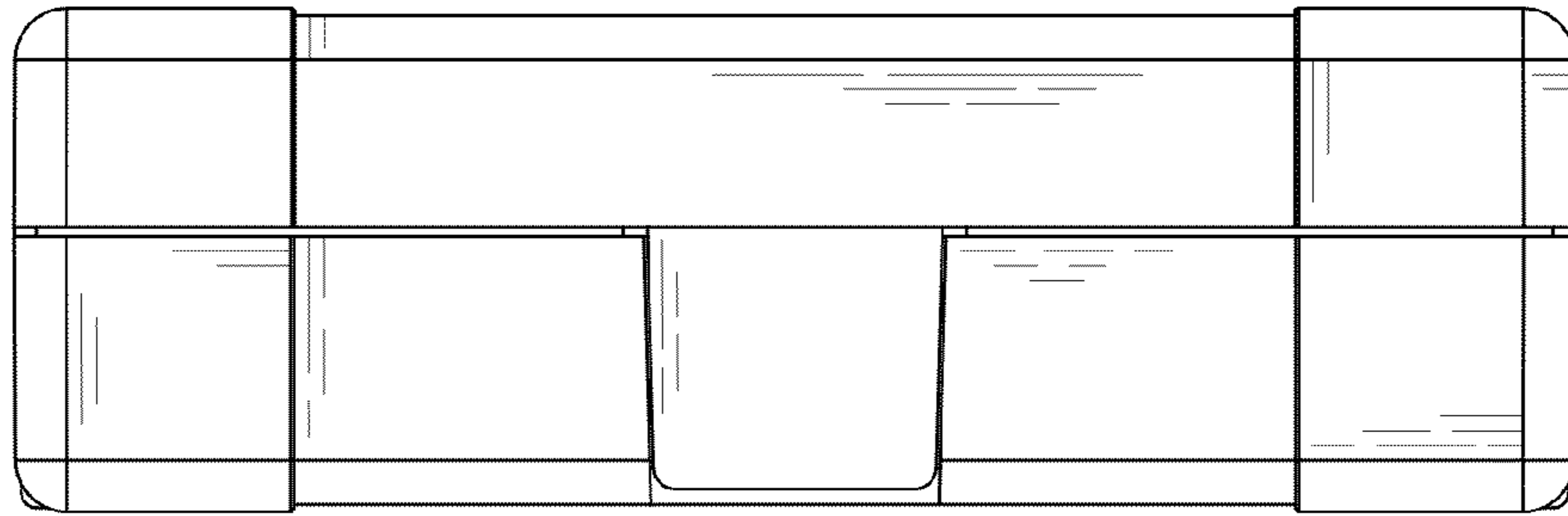


FIG. 2

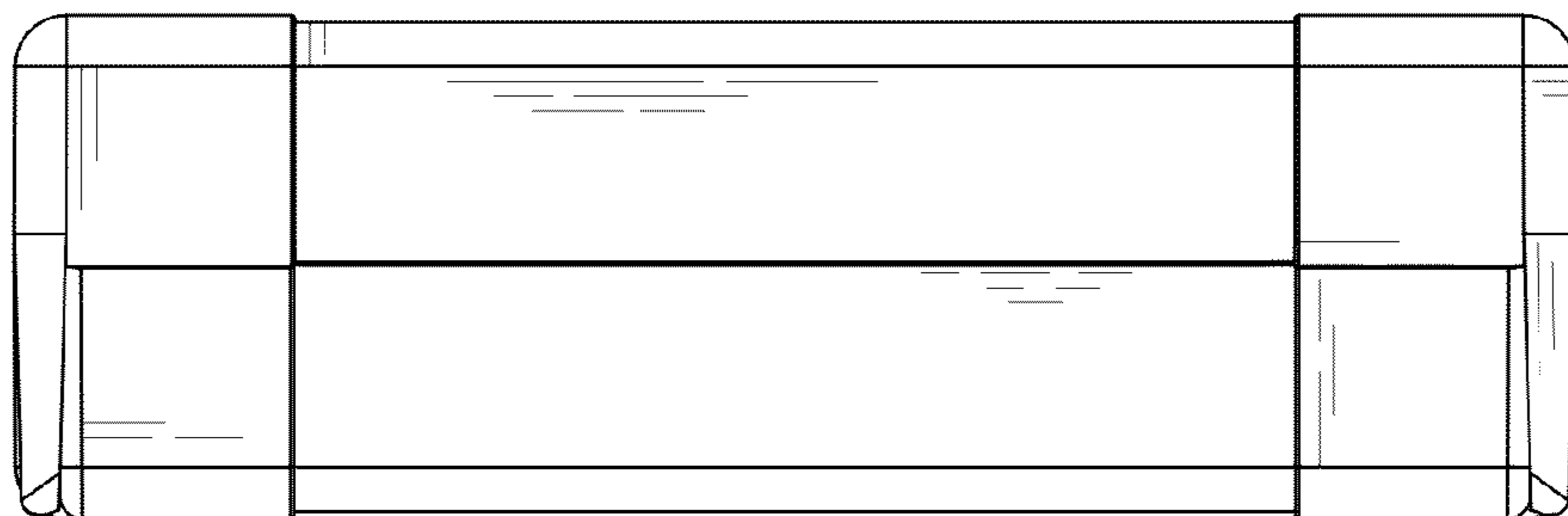
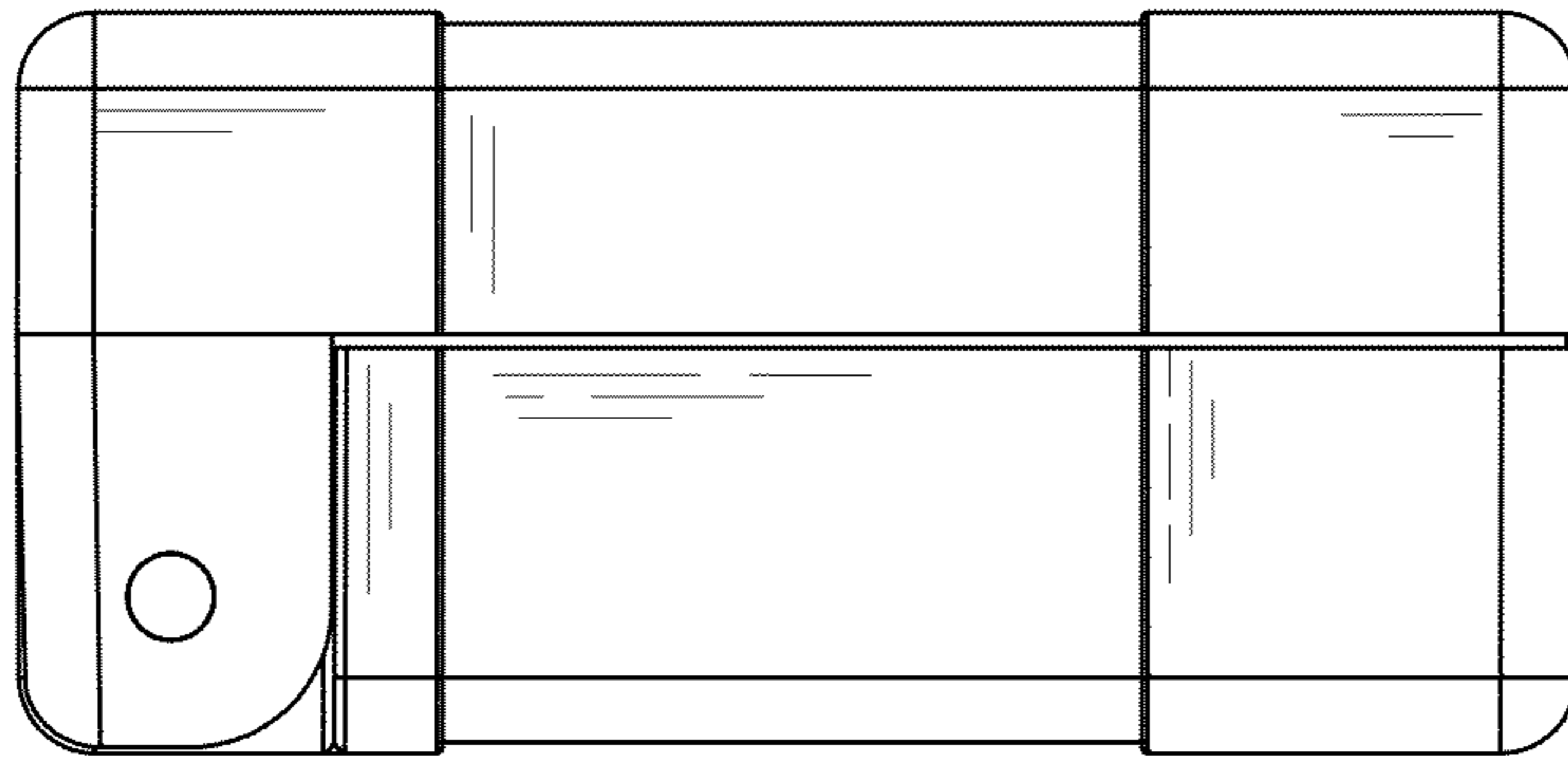
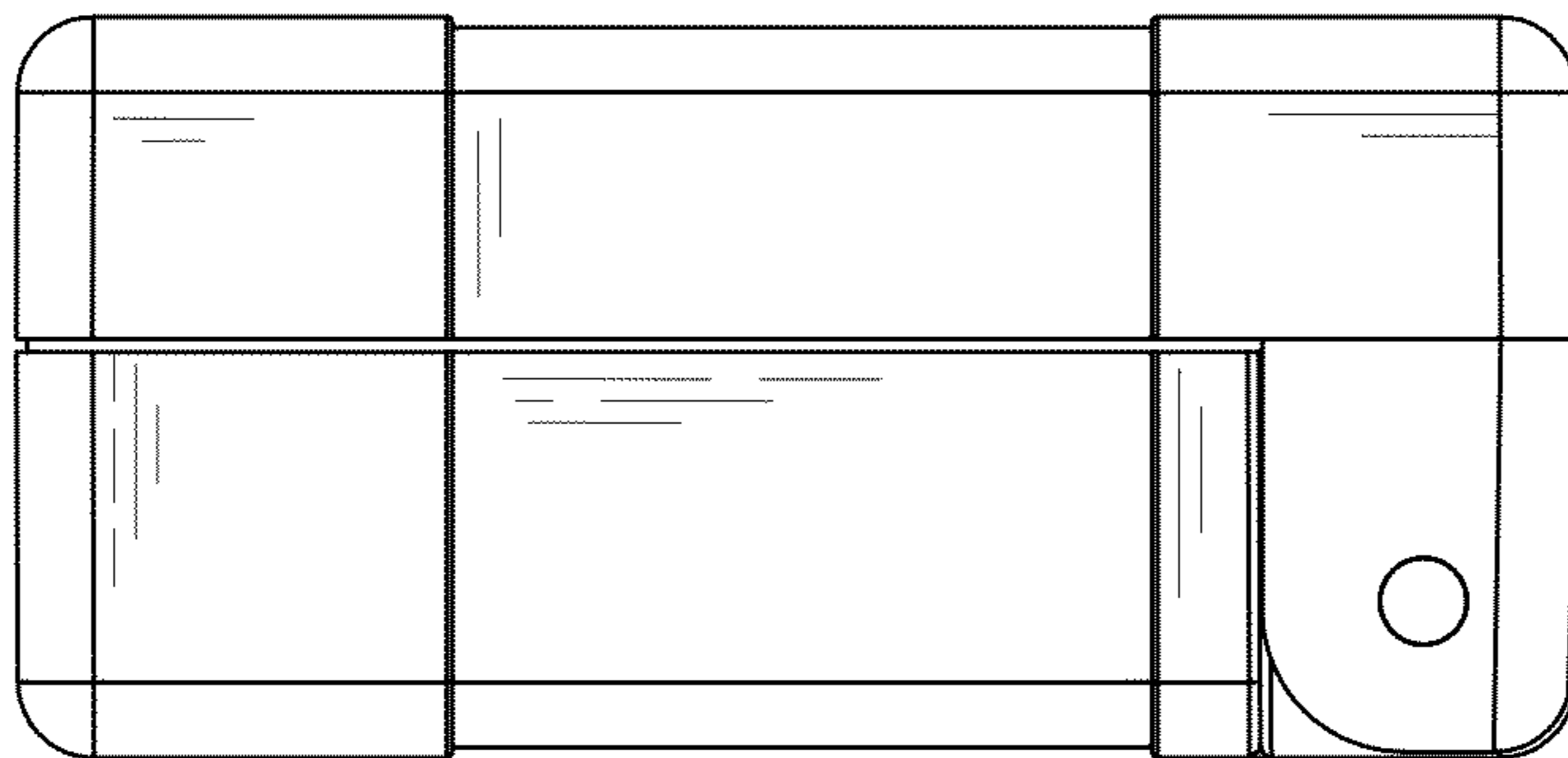


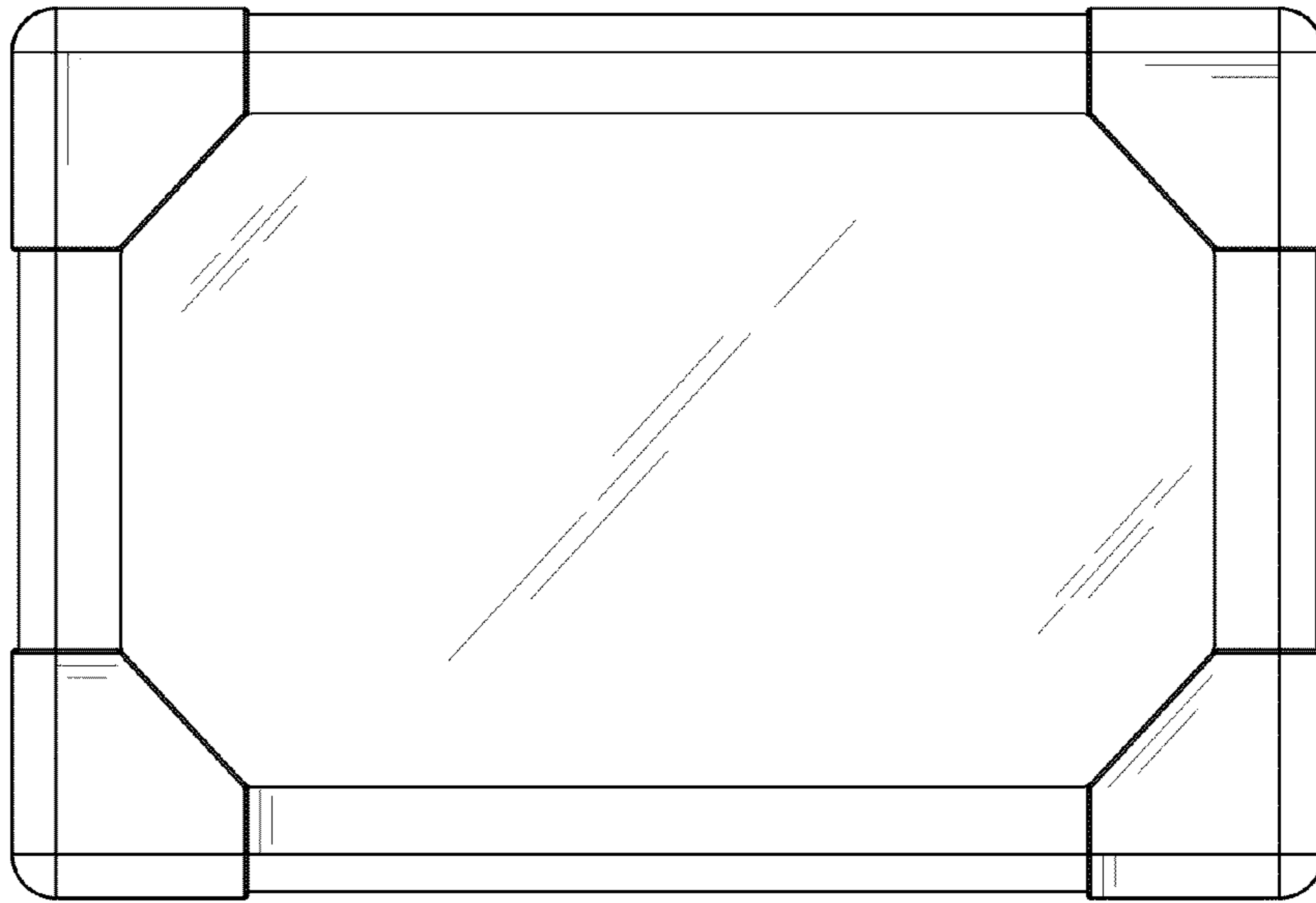
FIG. 3



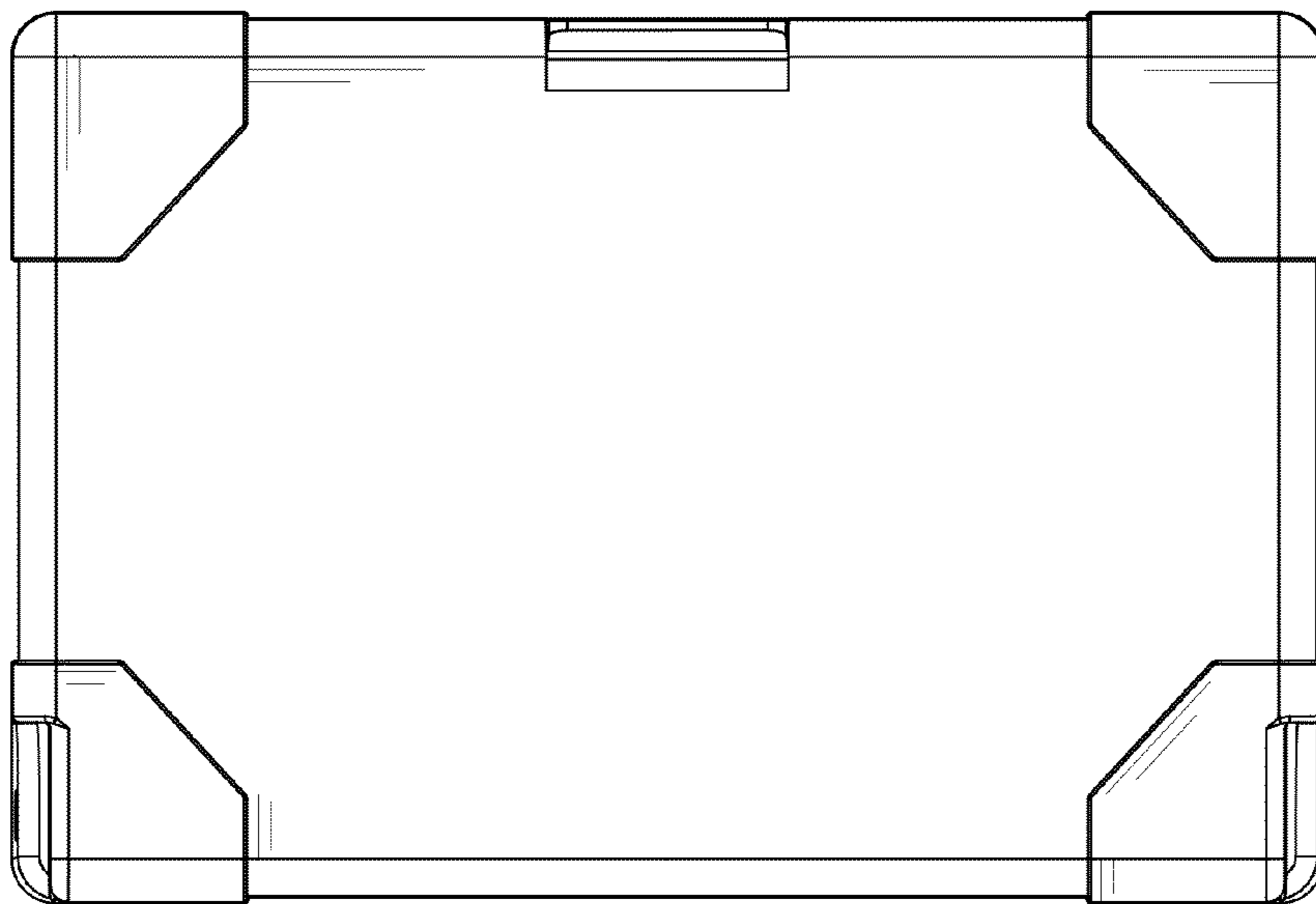
F I G . 4



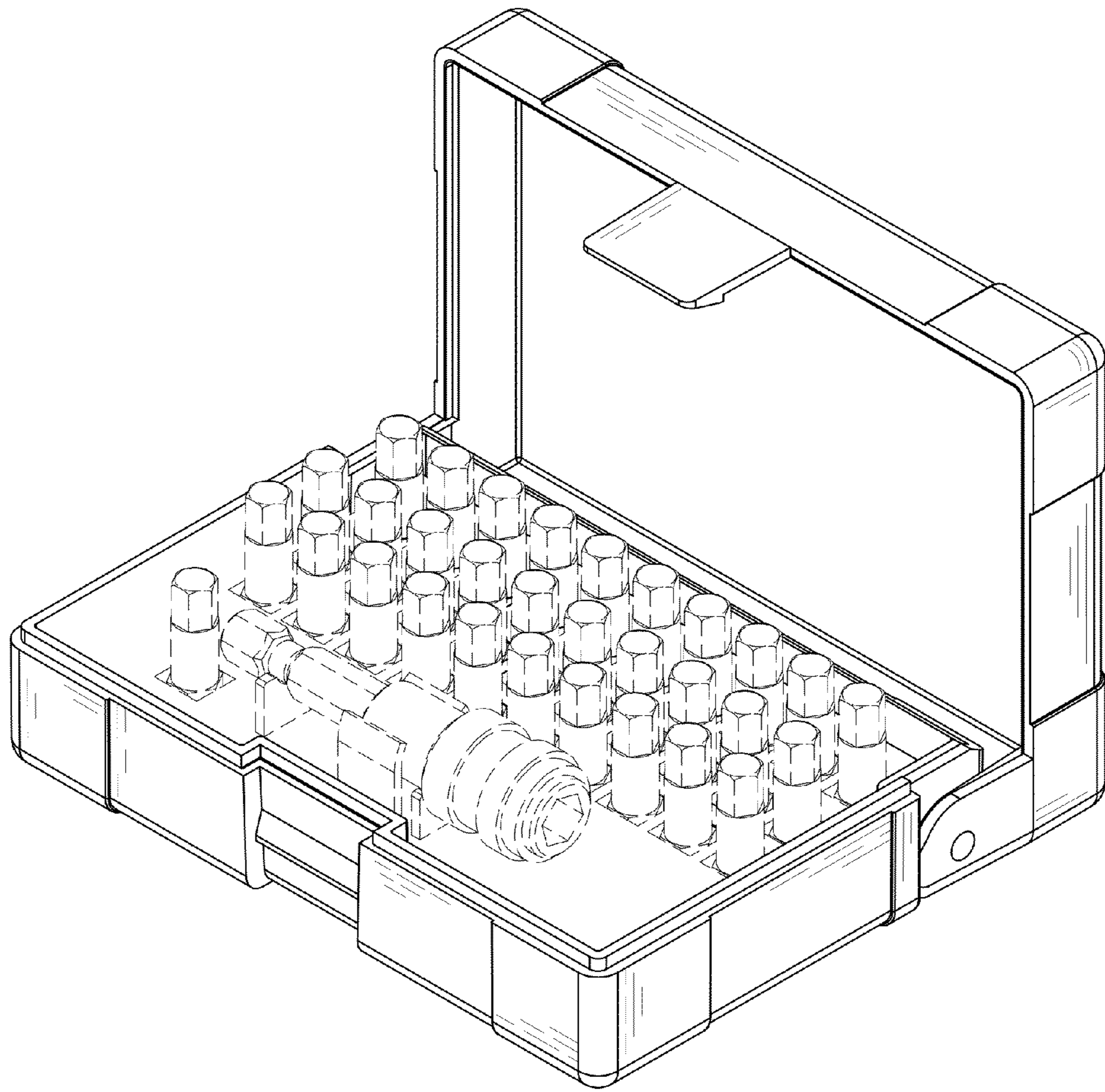
F I G . 5



F I G . 6



F I G . 7



F I G . 8