

US00D704439S

(12) **United States Design Patent**
Mangano

(10) **Patent No.:** **US D704,439 S**

(45) **Date of Patent:** **** May 13, 2014**

(54) **TUBULAR SUPPORT FOR GOLF CLUBS**

(71) Applicant: **Antonio Mangano**, N. Babylon, NY
(US)

(72) Inventor: **Antonio Mangano**, N. Babylon, NY
(US)

(**) Term: **14 Years**

(21) Appl. No.: **29/438,971**

(22) Filed: **Dec. 5, 2012**

(51) **LOC (10) Cl.** **03-01**

(52) **U.S. Cl.**
USPC **D3/255**

(58) **Field of Classification Search**
USPC D3/255; 206/315.2-315.8
See application file for complete search history.

(56) **References Cited**

U.S. PATENT DOCUMENTS

1,288,320	A *	12/1918	Weaver	224/613
D57,526	S *	4/1921	Hunt	D3/255
2,780,399	A *	2/1957	Long	223/107
D283,758	S *	5/1986	Stewart et al.	D7/703
D414,035	S *	9/1999	Stokes	D3/255
D419,294	S *	1/2000	Wang	D3/255
D433,566	S *	11/2000	Larko	D3/255
6,161,692	A *	12/2000	Lizarraga	206/315.3

D436,440	S *	1/2001	Stokes	D3/255
6,629,601	B1 *	10/2003	Russell	206/315.3
7,059,470	B2	6/2006	Slankster		
7,549,534	B1	6/2009	Parpart		
7,628,270	B1	12/2009	Davis		
8,066,119	B2	11/2011	Doman		
2002/0144917	A1	10/2002	Barrise		
2004/0026279	A1	2/2004	Miller		

* cited by examiner

Primary Examiner — Holly Baynham

(74) *Attorney, Agent, or Firm* — Daniel Boudwin; Global Intellectual Property Agency LLC

(57) **CLAIM**

The ornamental design for a tubular support for golf clubs, as shown and described.

DESCRIPTION

FIG. 1 is an overhead perspective view of the present invention in a working state.

FIG. 2 is a rear view of the present invention.

FIG. 3 is a front view of the present invention.

FIG. 4 is a side view of the present invention.

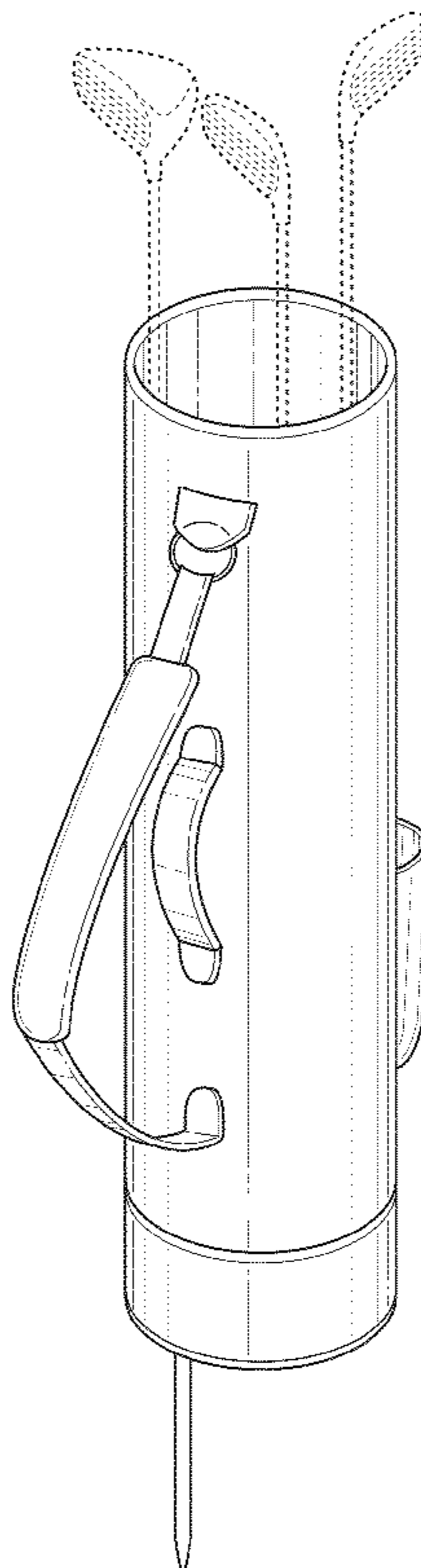
FIG. 5 is a side view of the present invention.

FIG. 6 is an overhead view of the present invention; and,

FIG. 7 is an underside view of the present invention.

The broken lines showing golf clubs are for the purposes of illustrating environment and form no part of the claimed design.

1 Claim, 4 Drawing Sheets



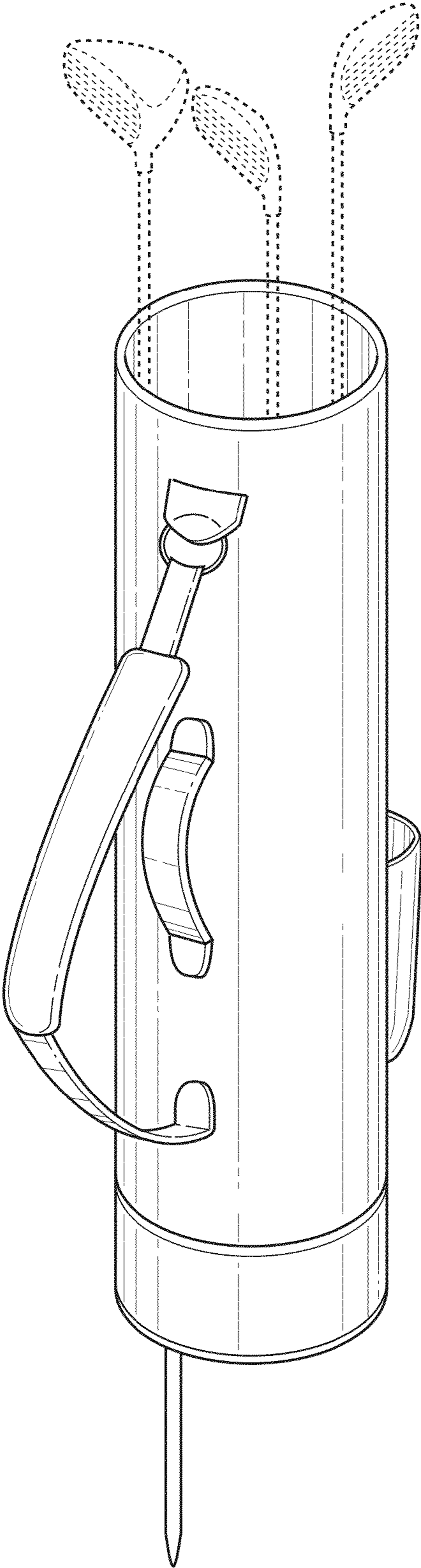


FIG. 1

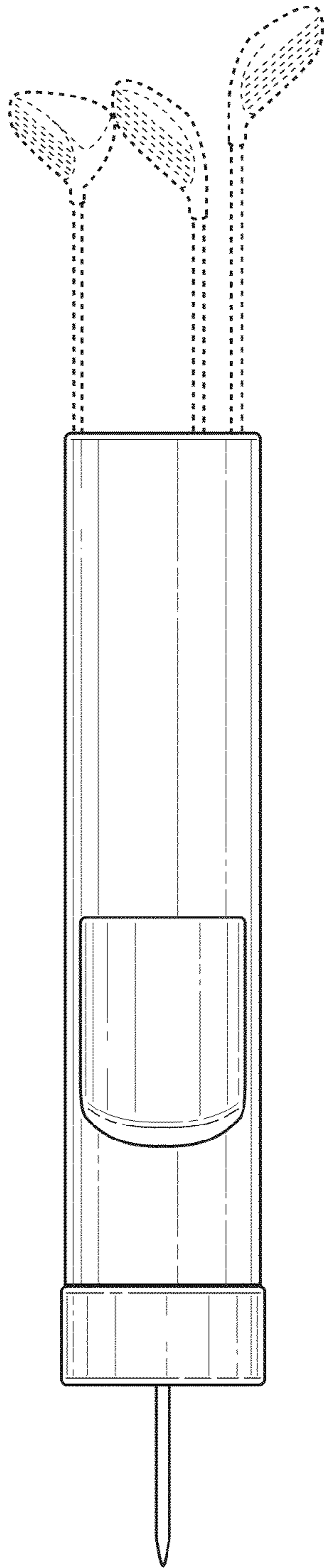


FIG. 2

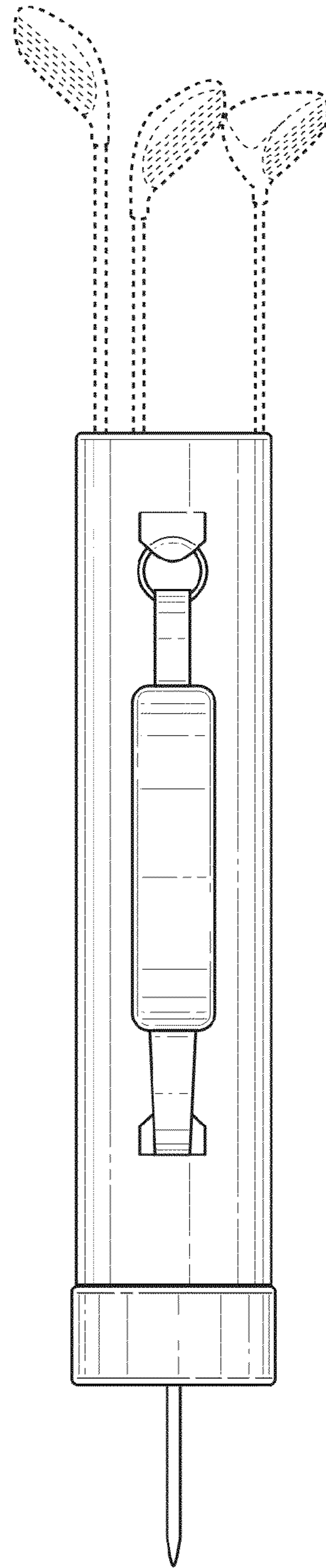


FIG. 3

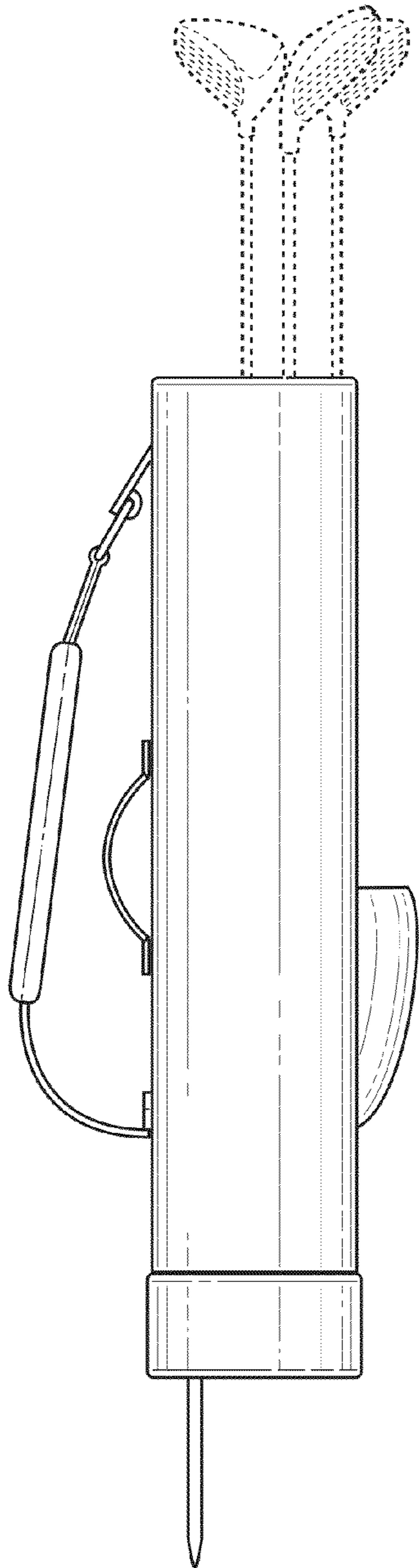


FIG. 4

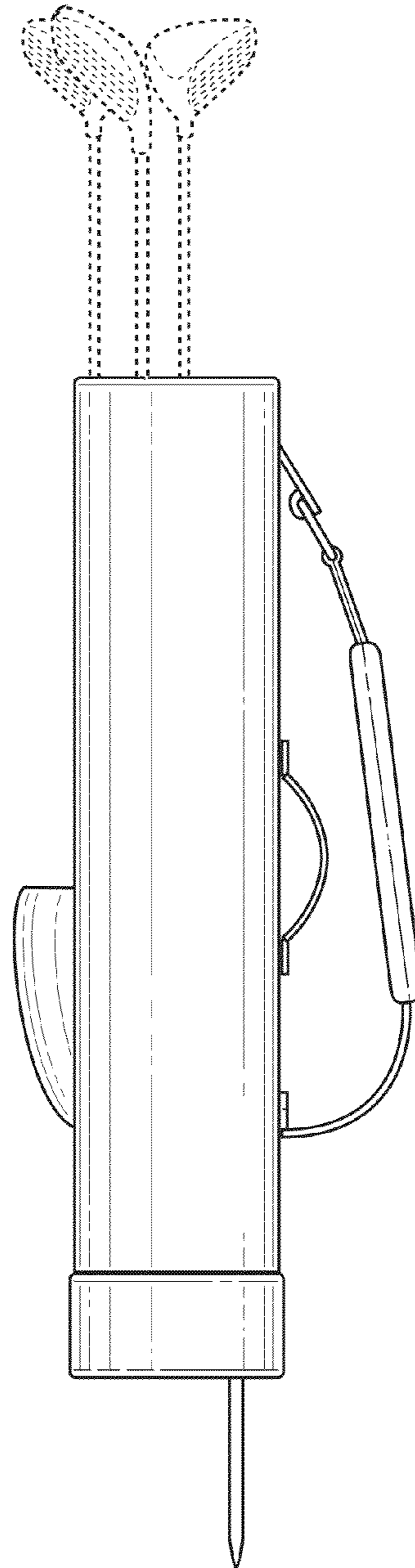


FIG. 5

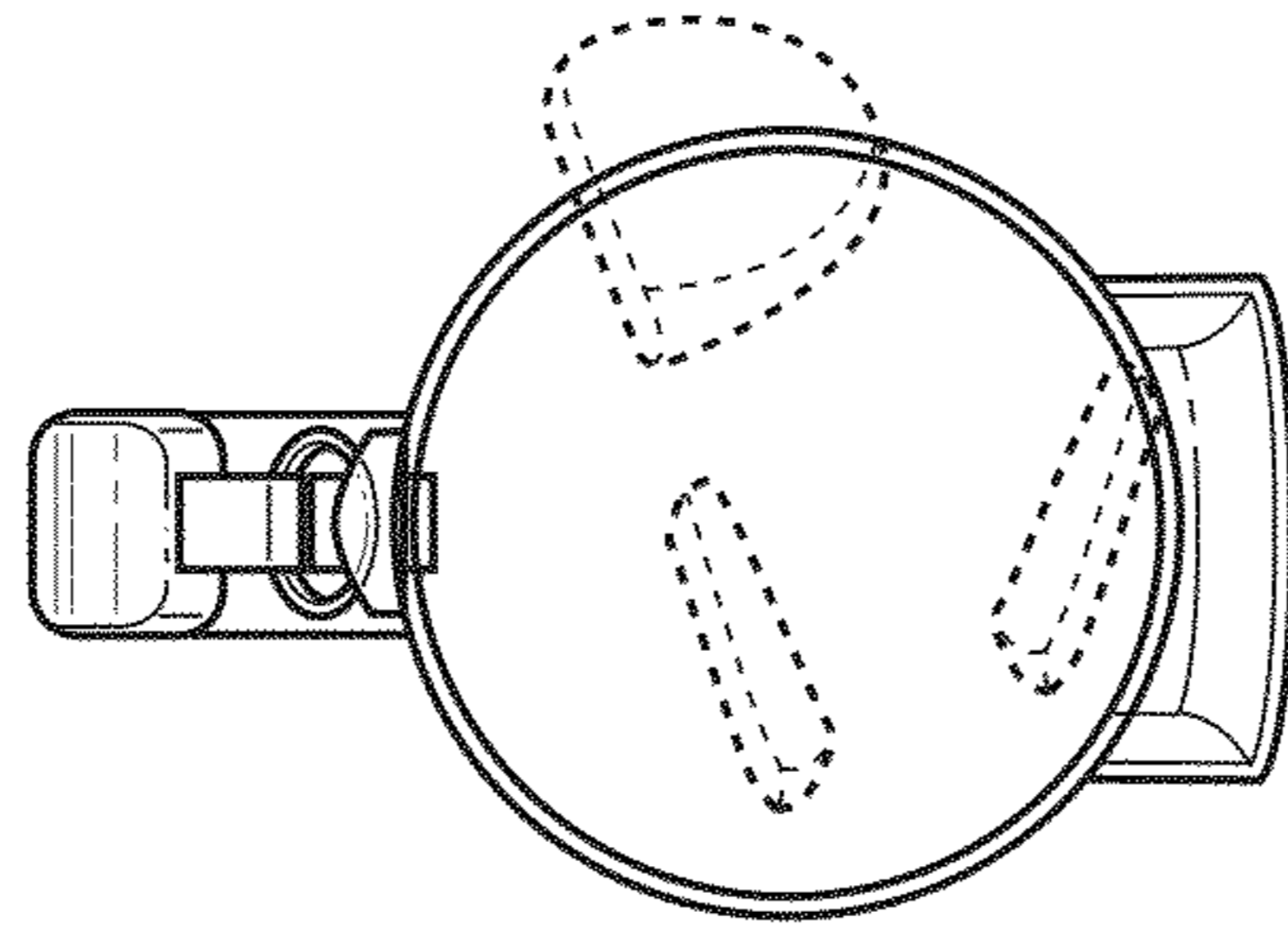


FIG. 6

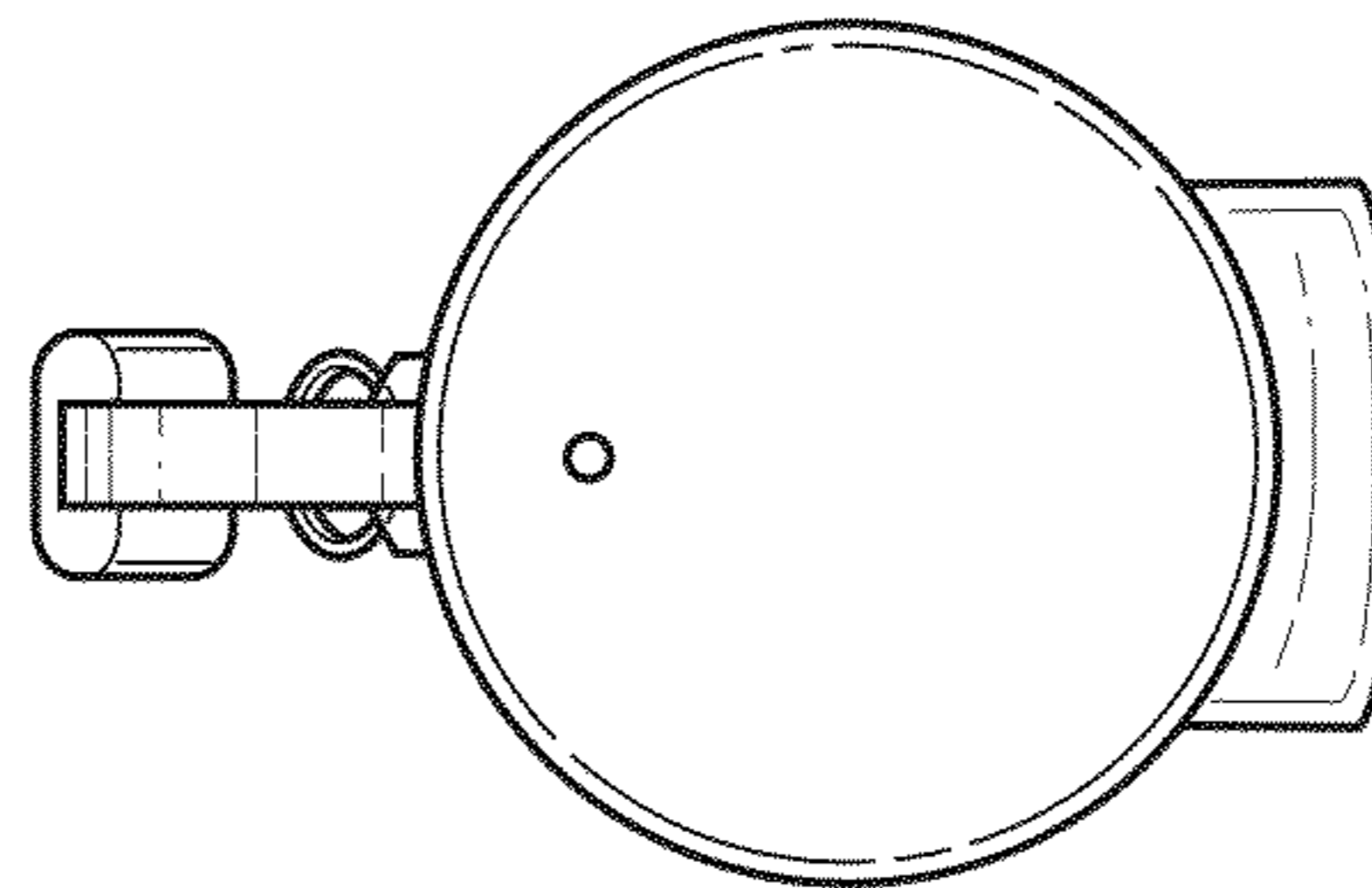


FIG. 7