



US00D704438S

(12) **United States Design Patent**  
**Kirschner**

(10) **Patent No.:** **US D704,438 S**

(45) **Date of Patent:** **\*\* May 13, 2014**

(54) **SURFACE WATER SPORT BOARD STORAGE AND TRANSPORT DEVICE**

Webstaurant Store, Lifetime 6525 Storage Rack Folding Chair Cart, 2012, pp. 1-3.

(71) Applicant: **Boardskate, LLC**, Indian Harbour Beach, FL (US)

\* cited by examiner

(72) Inventor: **Gregory Kirschner**, Indian Harbour Beach, FL (US)

*Primary Examiner* — Holly Baynham

(74) *Attorney, Agent, or Firm* — Allen, Dyer, Doppelt, Milbrath & Gilchrist, P.A.

(\*\*) Term: **14 Years**

(21) Appl. No.: **29/435,379**

(22) Filed: **Oct. 23, 2012**

(51) **LOC (10) Cl.** ..... **03-01**

(52) **U.S. Cl.**  
USPC ..... **D3/254**

(58) **Field of Classification Search**  
USPC ..... D3/254; 211/85.7, 70.8, 195; 248/533  
See application file for complete search history.

(56) **References Cited**

**U.S. PATENT DOCUMENTS**

D300,972	S	*	5/1989	Streno	.....	D34/6
5,014,955	A	*	5/1991	Thompson	.....	248/309.1
6,935,517	B1	*	8/2005	Reed et al.	.....	211/85.7
D546,610	S	*	7/2007	Blanchard	.....	D6/567
8,157,110	B1	*	4/2012	Drum	.....	211/85.7

**OTHER PUBLICATIONS**

Jupiter Kite Boarding, SUP Wheels Compact Paddle Board Carrier, 2012, pp. 1-3.  
Quadratex, Deluxe Heavy Duty Hardtop Storage Cart, 2012, pp. 1-2.  
Competitive Edge Products, Product: Lifetime Table Storage Cart—6520 Gray Rolling Utility Table Rack, 2011, pp. 1-3.  
Competitive Edge Products, Product: Correll 28x72 Edge Stacking Table Carts, 2011, pp. 1-2.

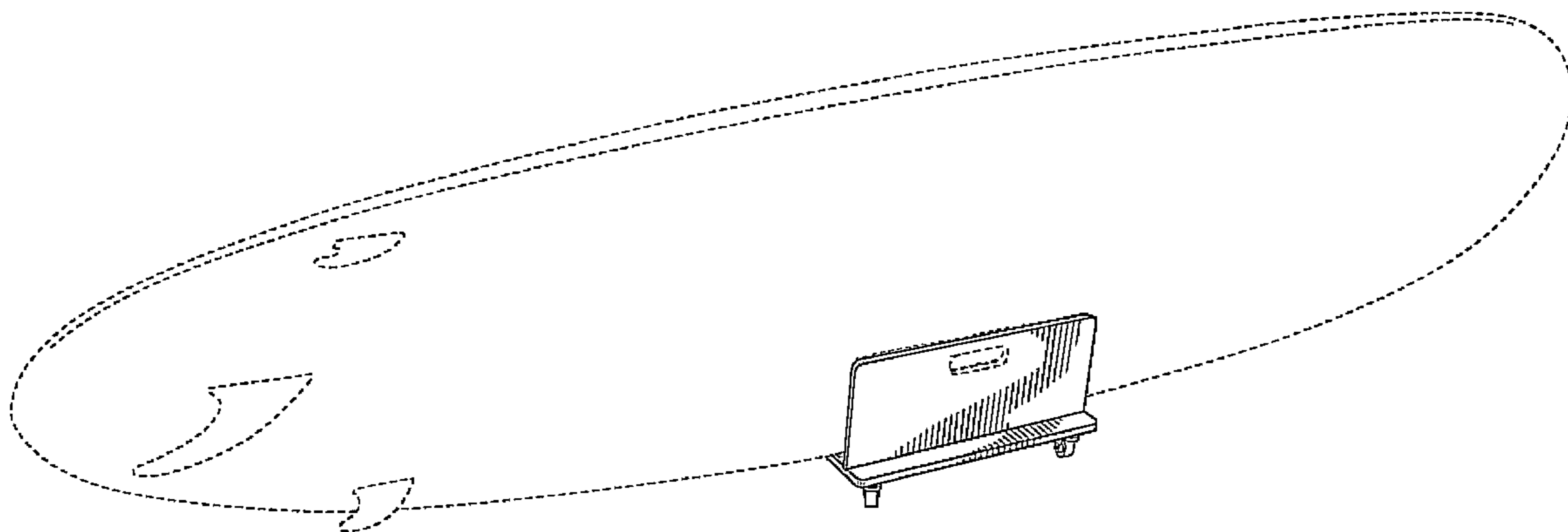
(57) **CLAIM**

The ornamental design for a surface water sport board storage and transport device, as shown and described.

**DESCRIPTION**

FIG. 1 is a front perspective view of the device including a surface water sport board;  
FIG. 2 is an enlarged front perspective view of the device including a portion of a surface water sport board;  
FIG. 3 is a top-rear perspective view of the device including a portion of a surface water sport board;  
FIG. 4 is a rear perspective view of the device including a portion of a surface water sport board;  
FIG. 5 is an enlarged front perspective view of the device without a surface water sport board;  
FIG. 6 is an enlarged rear perspective view of the device without a surface water sport board;  
FIG. 7 is an enlarged side view of the device without a surface water sport board;  
FIG. 8 is an enlarged side perspective view of the device without a surface water sport board; and,  
FIG. 9 is an enlarged bottom view of the device.  
The broken lines showing a surfboard, holder structure and paddle are for the purposes of illustrating environment and form no part of the claimed design.

**1 Claim, 9 Drawing Sheets**



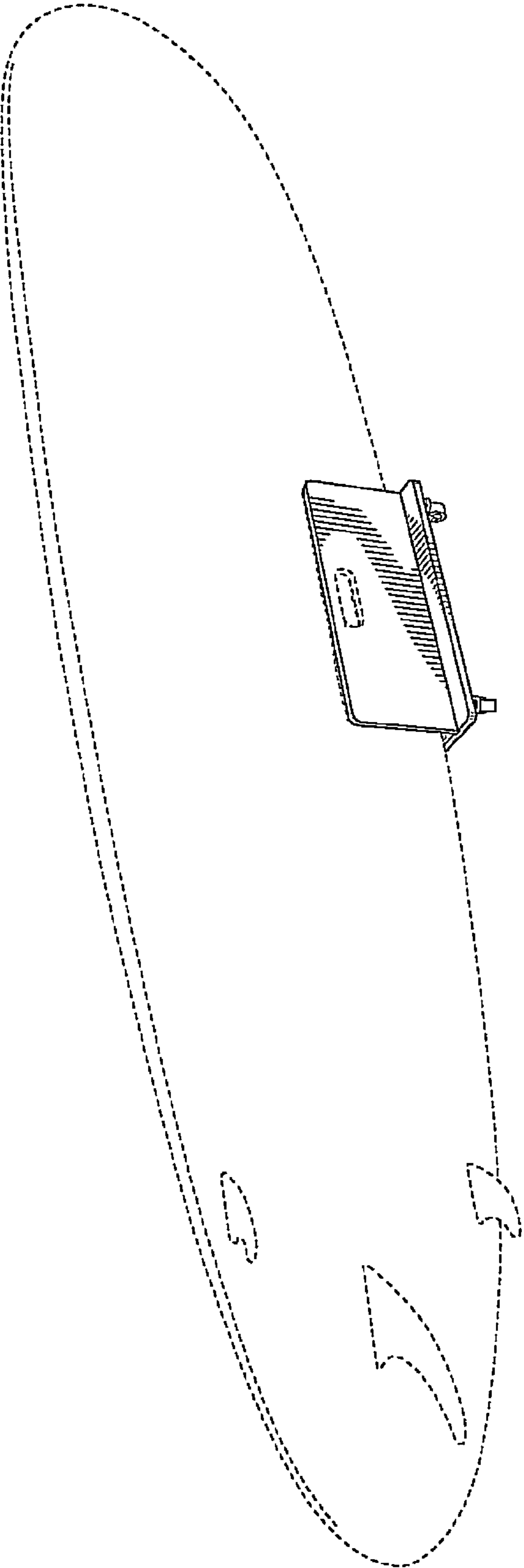


FIG. 1

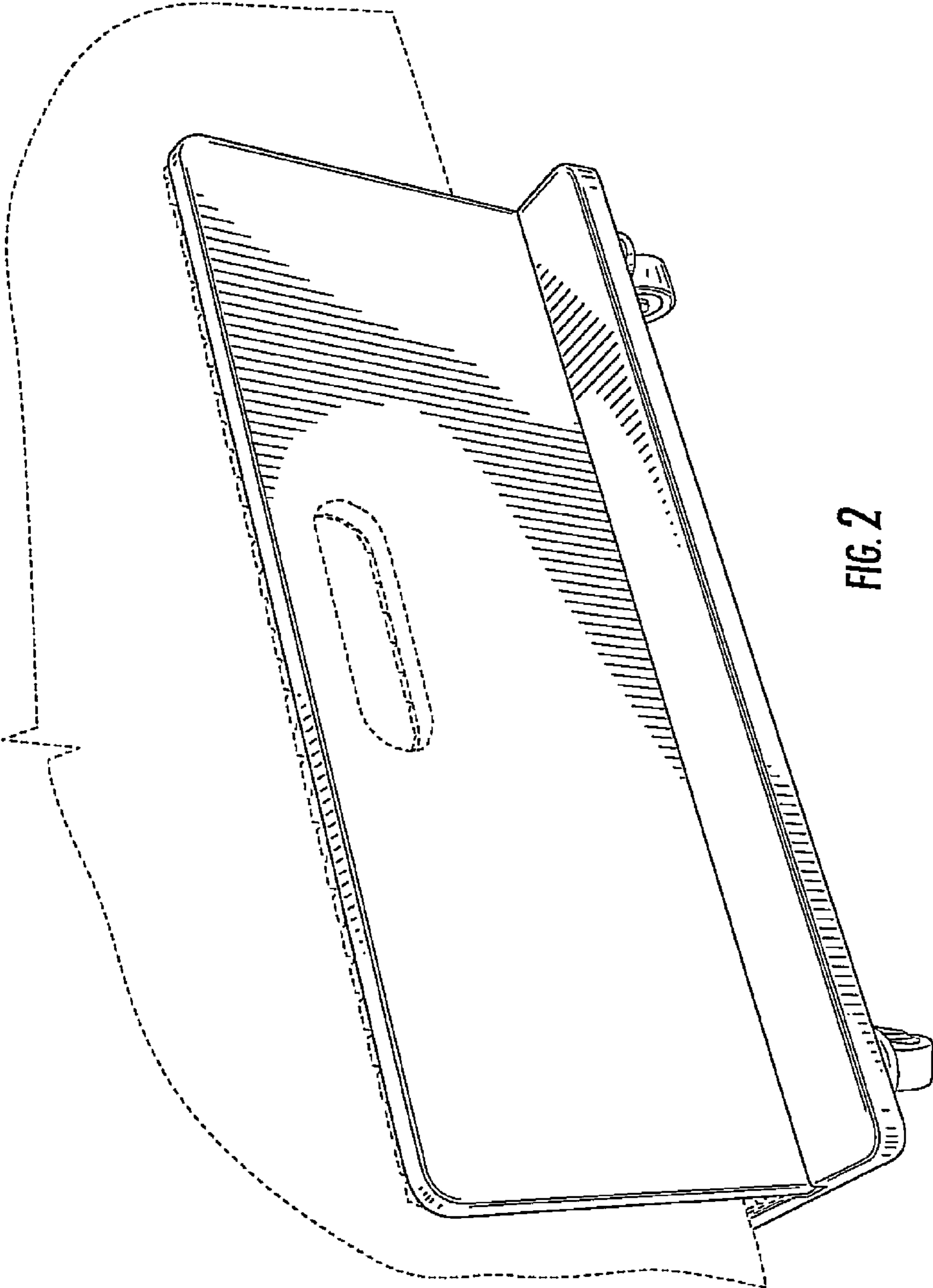


FIG. 2

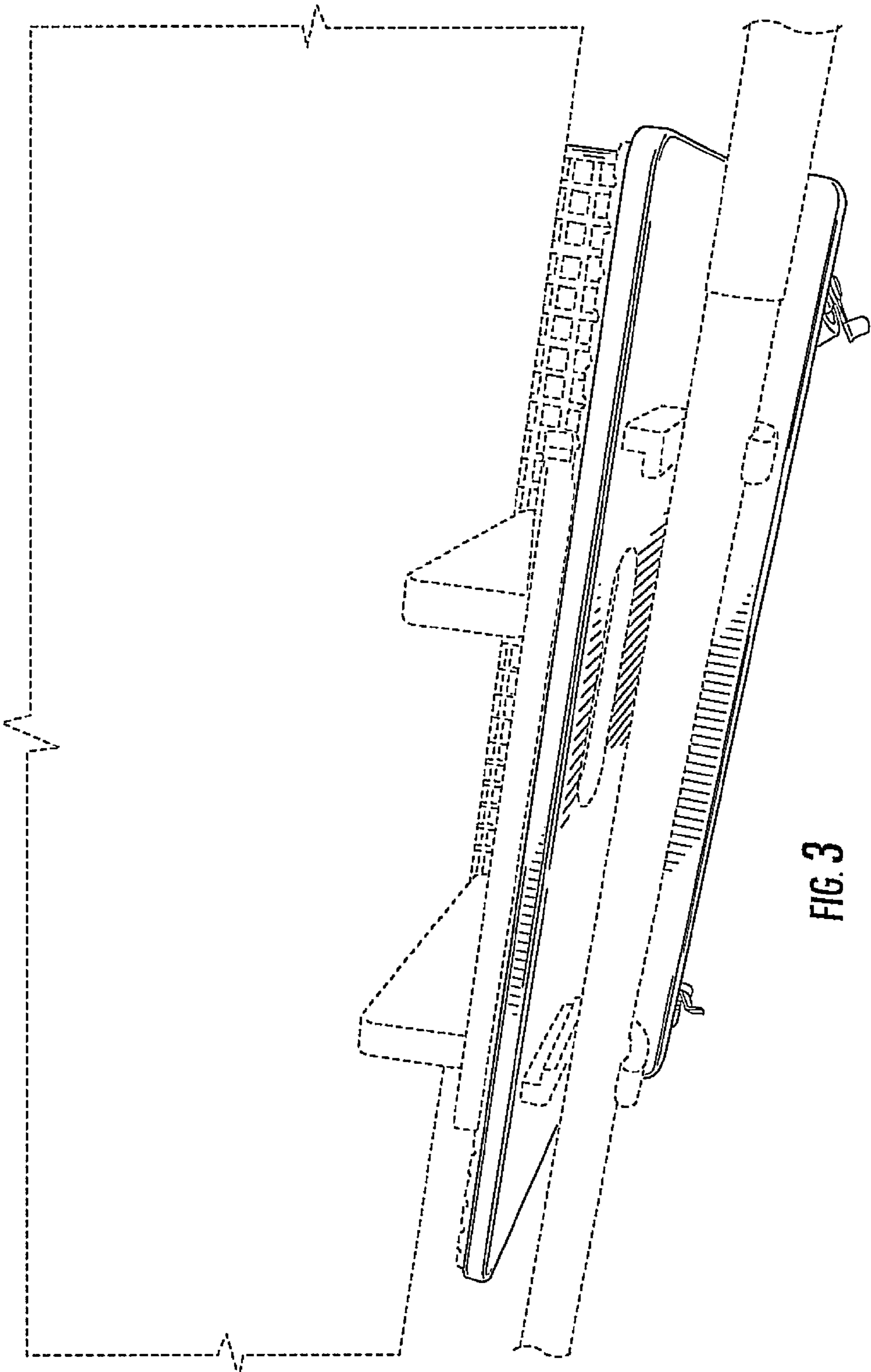


FIG. 3

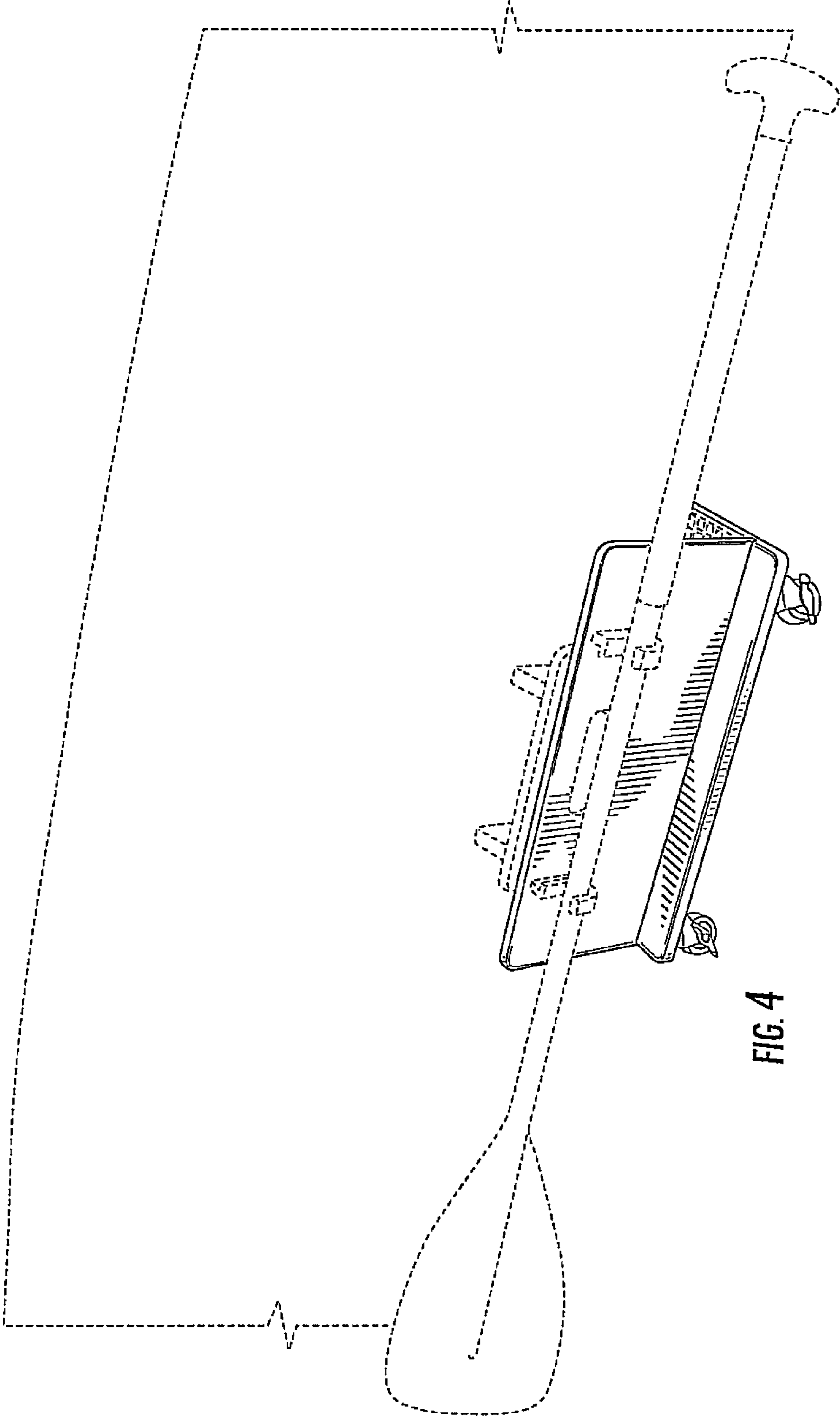


FIG. 4

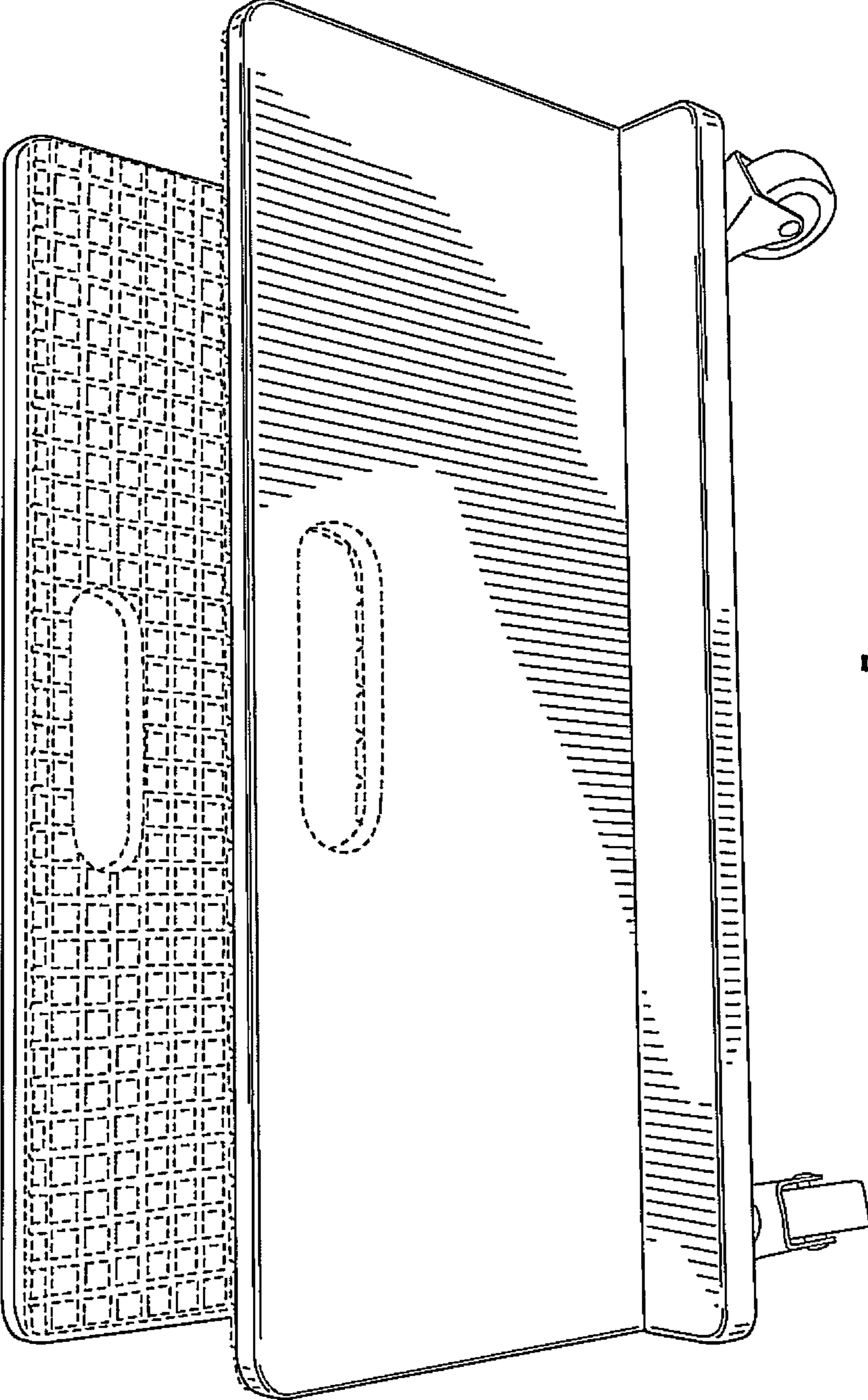


FIG. 5

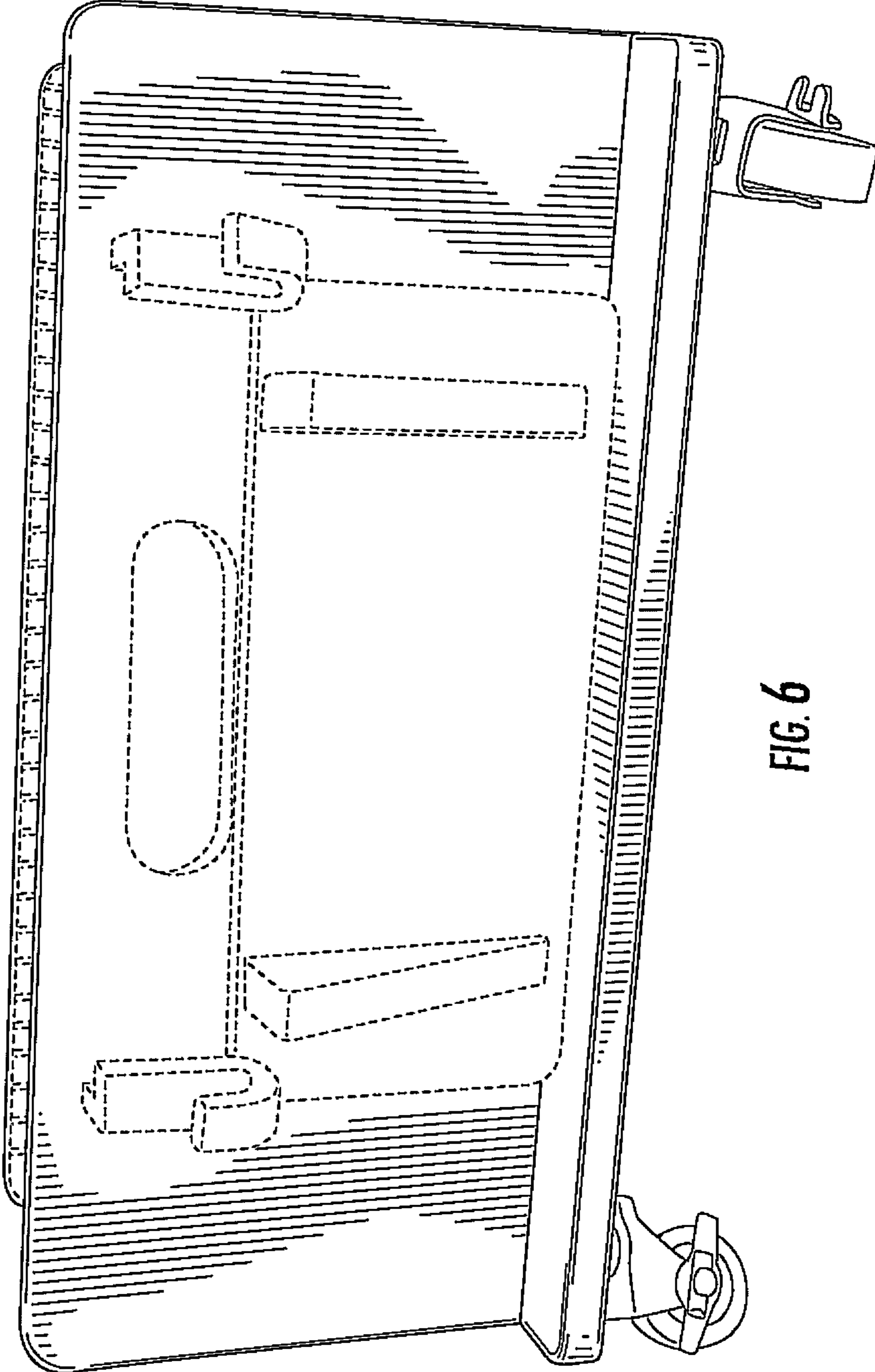


FIG. 6

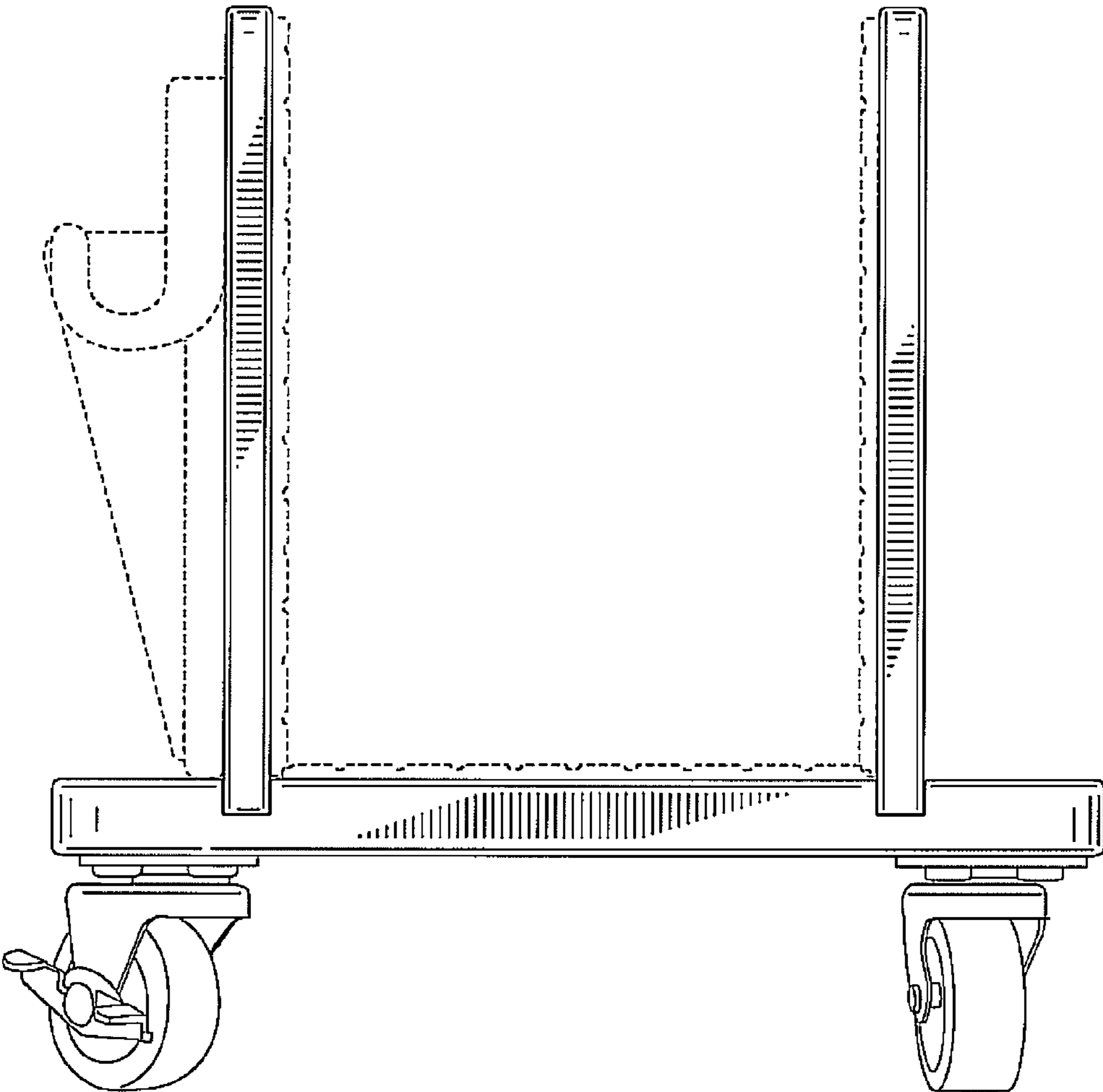


FIG. 7



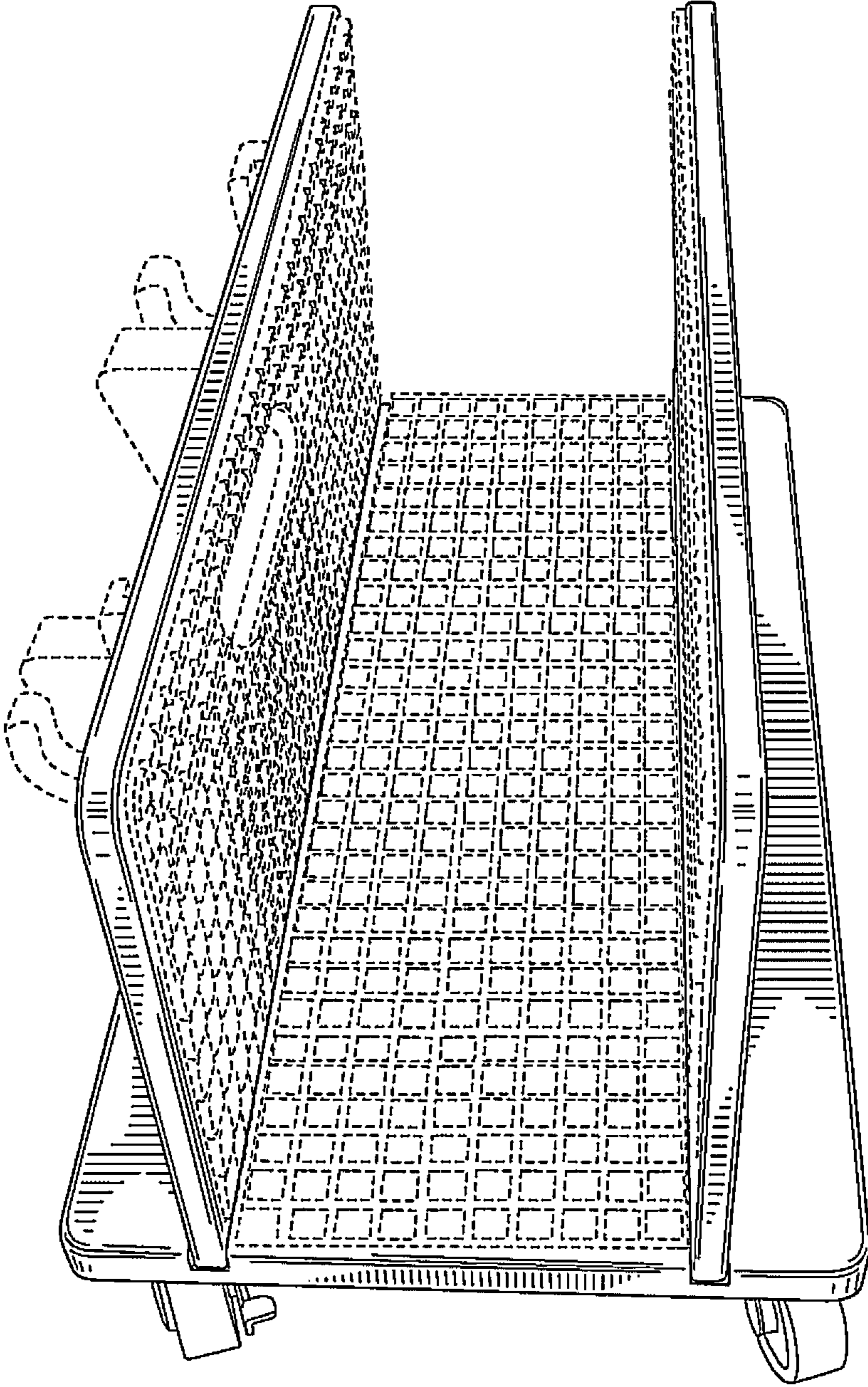


FIG. 8

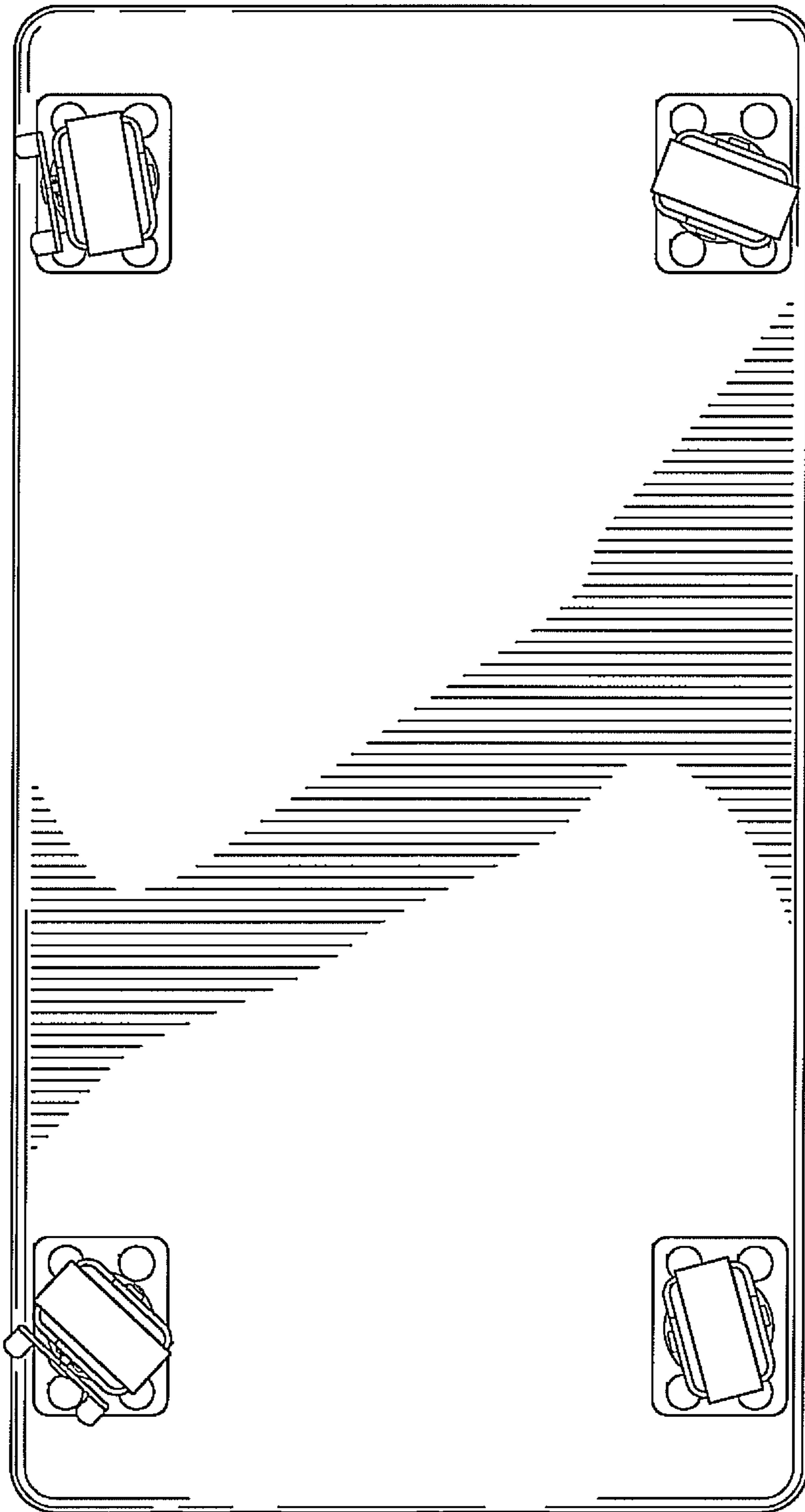


FIG. 9