



US00D704436S

(12) **United States Design Patent**
Hickman

(10) **Patent No.:** **US D704,436 S**

(45) **Date of Patent:** **** May 13, 2014**

(54) **SHOULDER BAG**

(71) Applicant: **Travel Caddy, Inc.**, Elk Grove Village, IL (US)

(72) Inventor: **Bryce Ryan Hickman**, Schaumburg, IL (US)

(73) Assignee: **Travel Caddy, Inc.**, Elk Grove Village, IL (US)

(**) Term: **14 Years**

(21) Appl. No.: **29/447,839**

(22) Filed: **Mar. 7, 2013**

(51) **LOC (10) Cl.** **03-01**

(52) **U.S. Cl.**
USPC **D3/231**

(58) **Field of Classification Search**
USPC D3/231–232, 246; 224/429–430
See application file for complete search history.

(56) **References Cited**

U.S. PATENT DOCUMENTS

D371,457 S *	7/1996	Jacobs	D3/231
D408,137 S *	4/1999	Leininger	D3/231
D507,107 S *	7/2005	Goldberg	D3/246
D671,312 S *	11/2012	Pendergraft	D3/231

* cited by examiner

Primary Examiner — Holly Baynham

(74) *Attorney, Agent, or Firm* — Nancy R. Gamburd; Gamburd Law Group LLC

(57) **CLAIM**

The ornamental design for a shoulder bag, as shown and described.

DESCRIPTION

FIG. 1 is a front perspective view of a first embodiment of a new ornamental design for a shoulder bag; FIG. 2 is a front view of the first embodiment thereof; FIG. 3 is a rear view of the first embodiment thereof; FIG. 4 is a first side view of the first embodiment thereof; FIG. 5 is a second side view of the first embodiment thereof; FIG. 6 is a top view of the first embodiment thereof; and FIG. 7 is a bottom view of the first embodiment thereof. FIG. 8 is a front perspective view of a second embodiment of a new ornamental design for a shoulder bag; FIG. 9 is a front view of the second embodiment thereof; FIG. 10 is a rear view of the second embodiment thereof; FIG. 11 is a first side view of the second embodiment thereof; FIG. 12 is a second side view of the second embodiment thereof; FIG. 13 is a top view of the second embodiment thereof; and, FIG. 14 is a bottom view of the second embodiment thereof. The broken lines showing portions of the bag are for the purposes of illustrating environment and form no part of the claimed design.

1 Claim, 10 Drawing Sheets

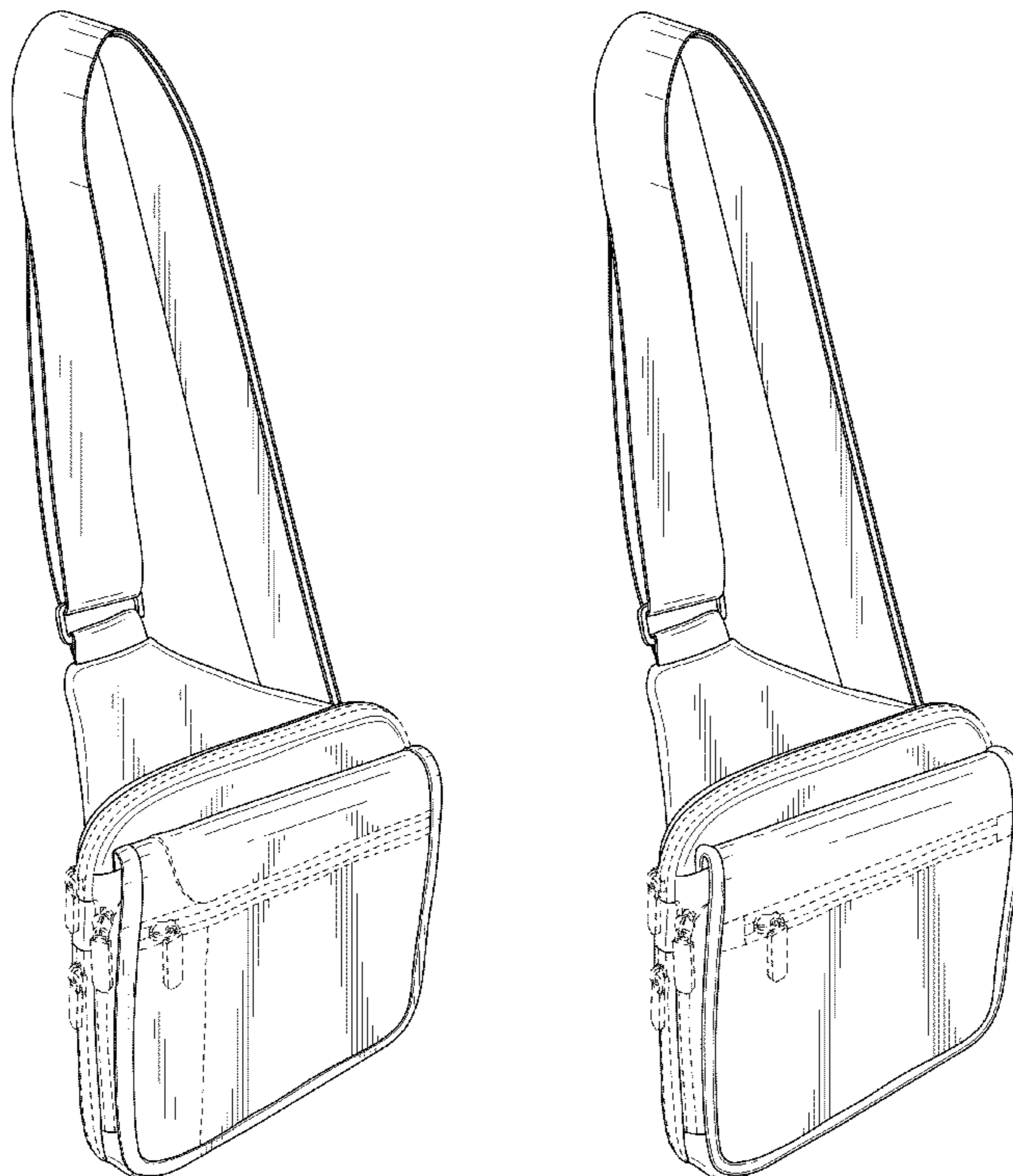


FIG. 1



FIG. 2

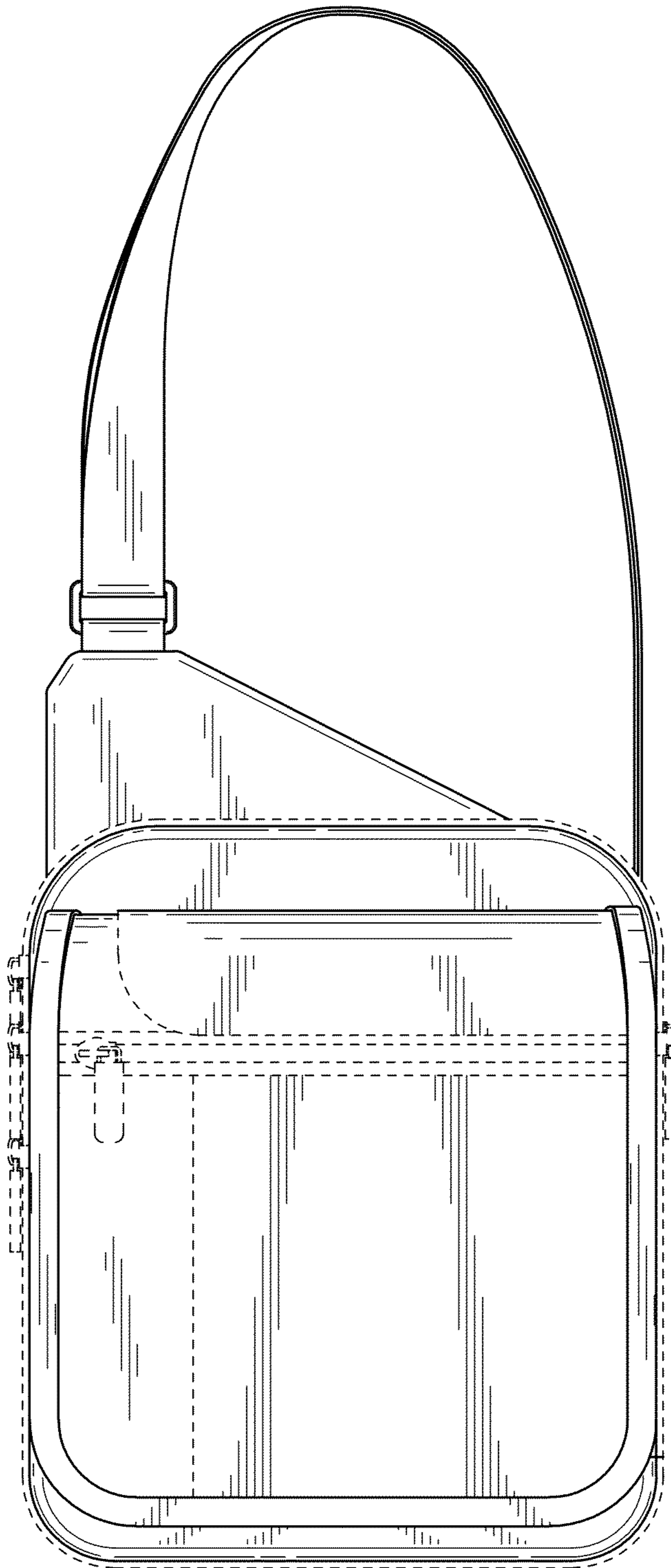


FIG. 3

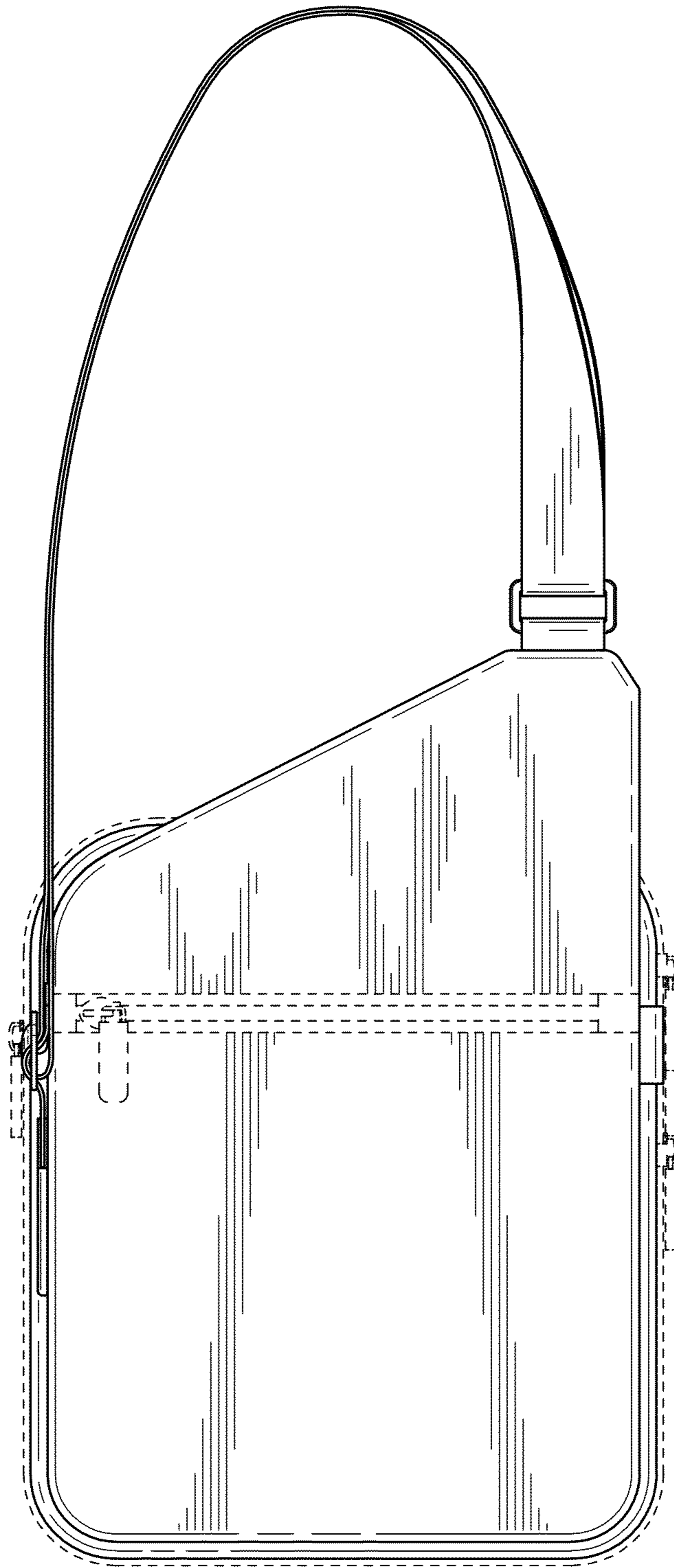


FIG. 4

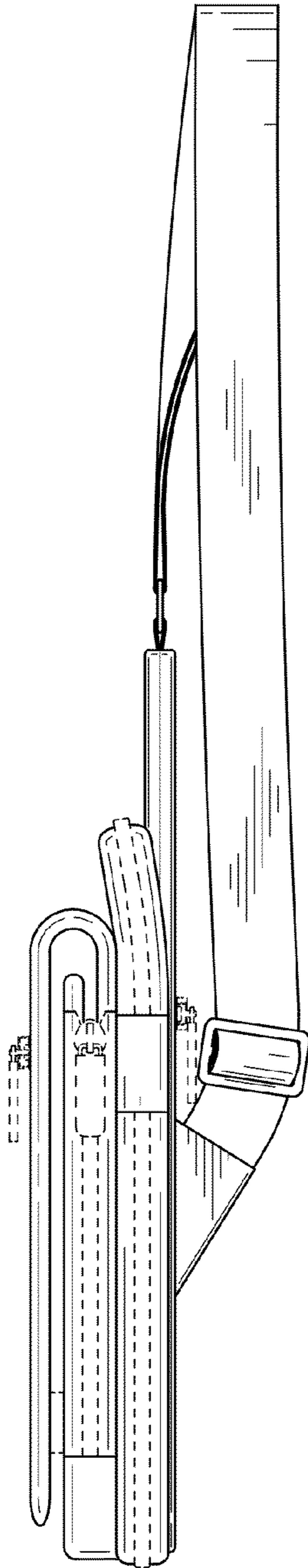


FIG. 5

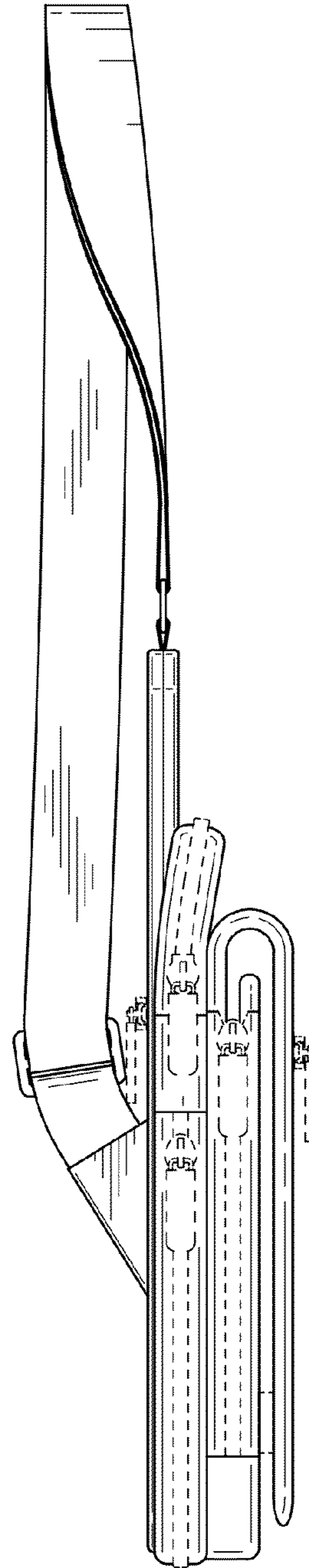


FIG. 6

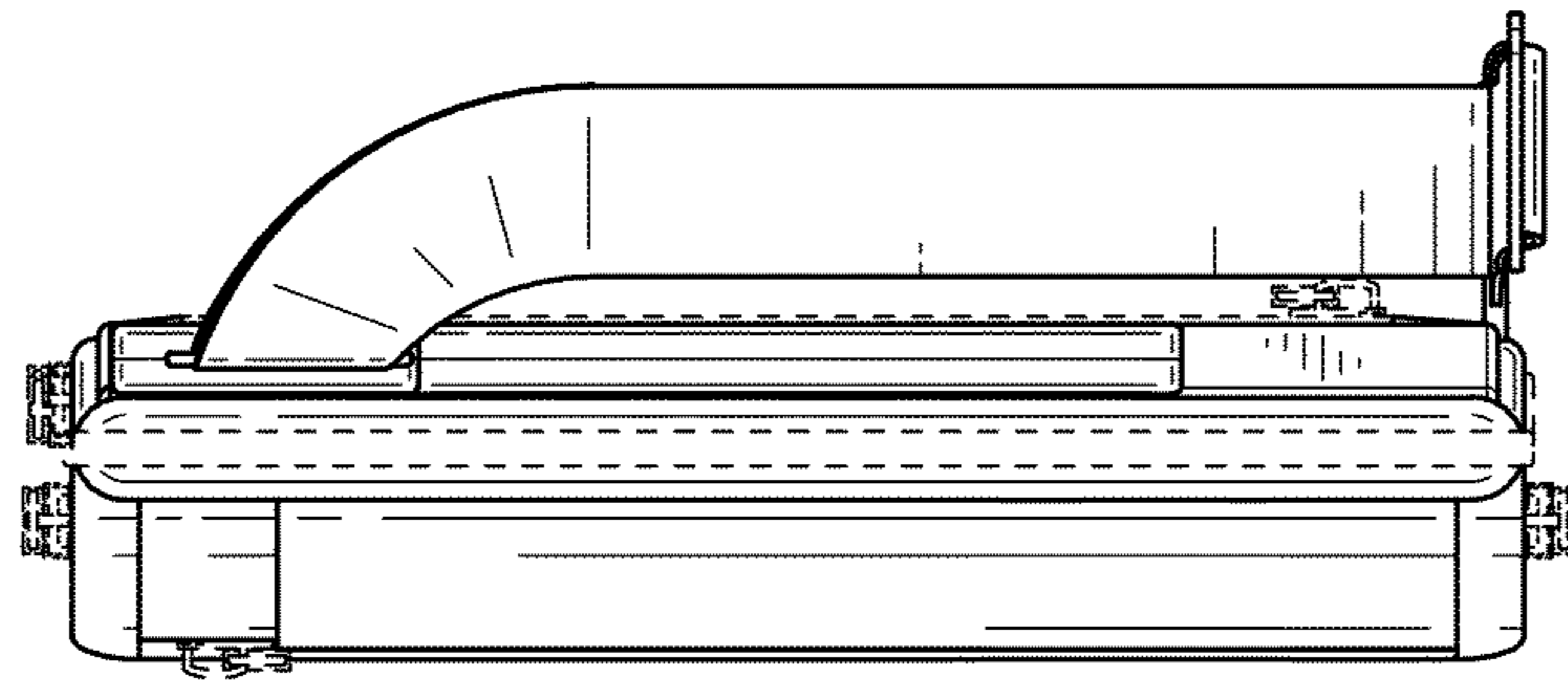


FIG. 7

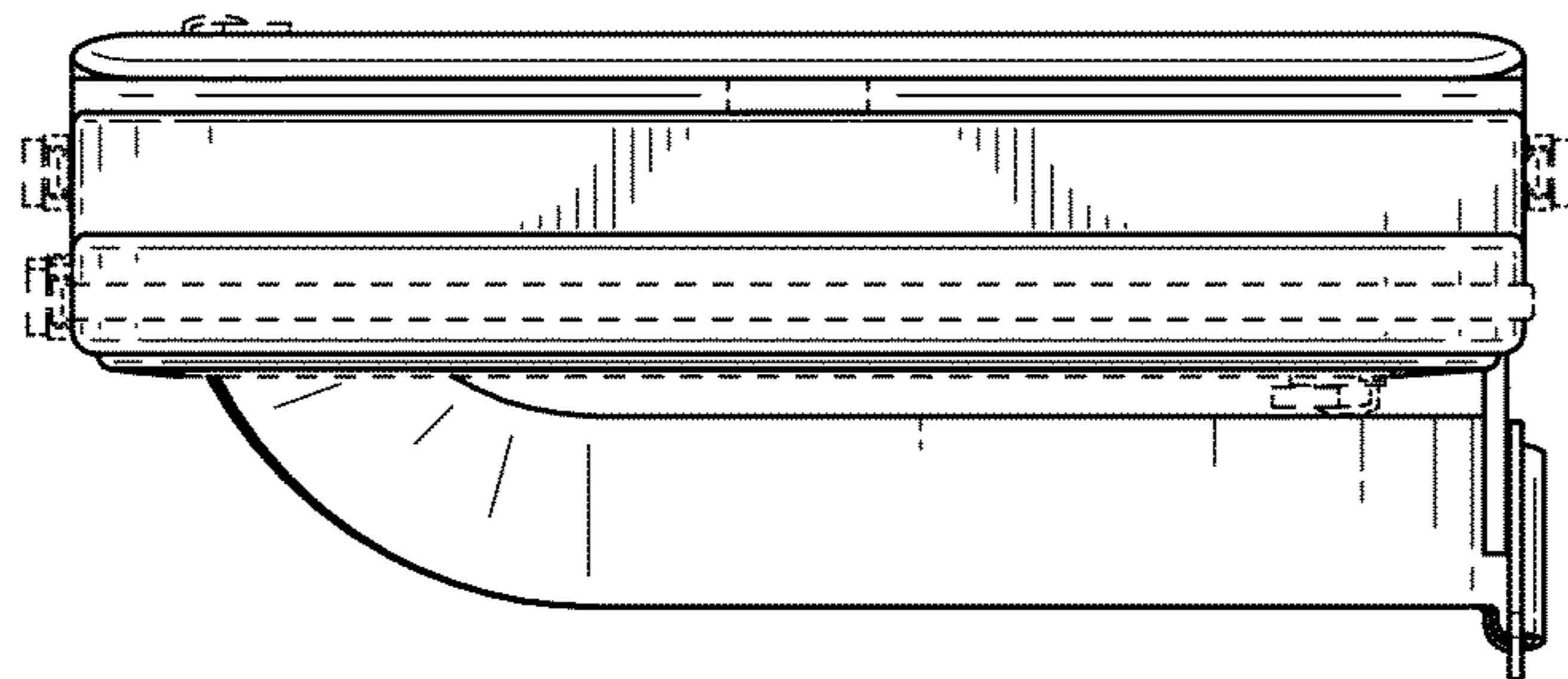


FIG. 8

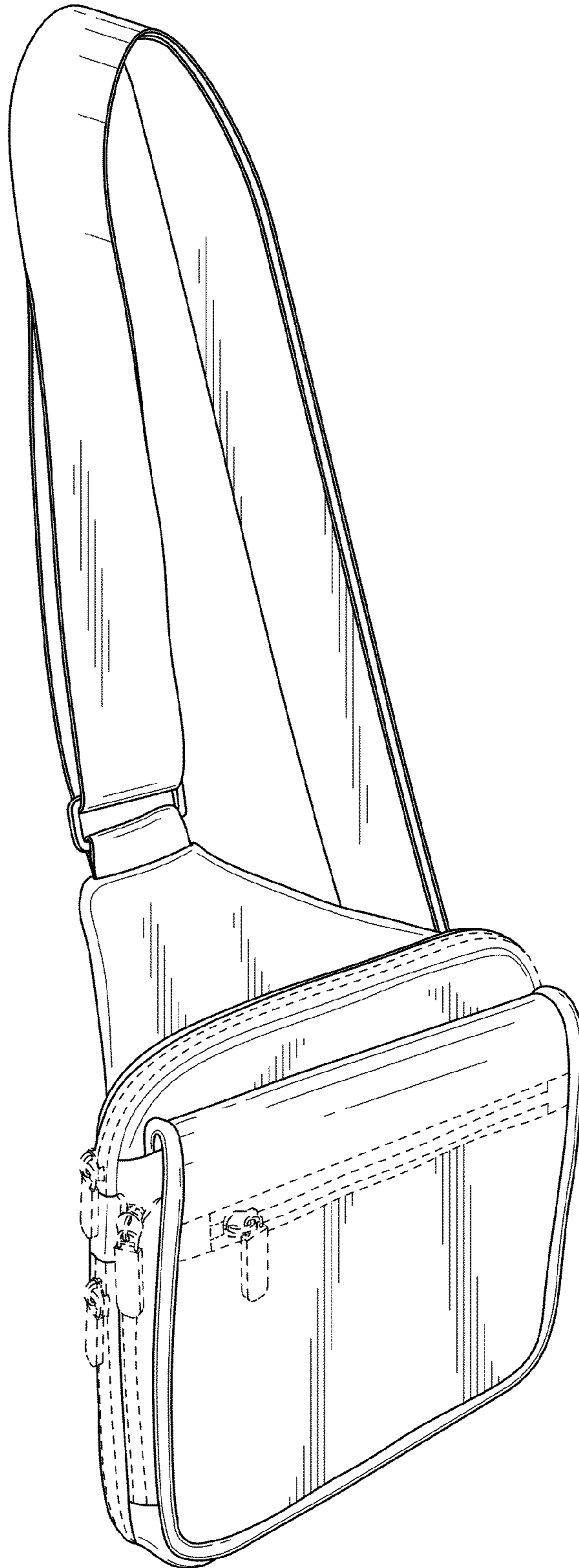


FIG. 9

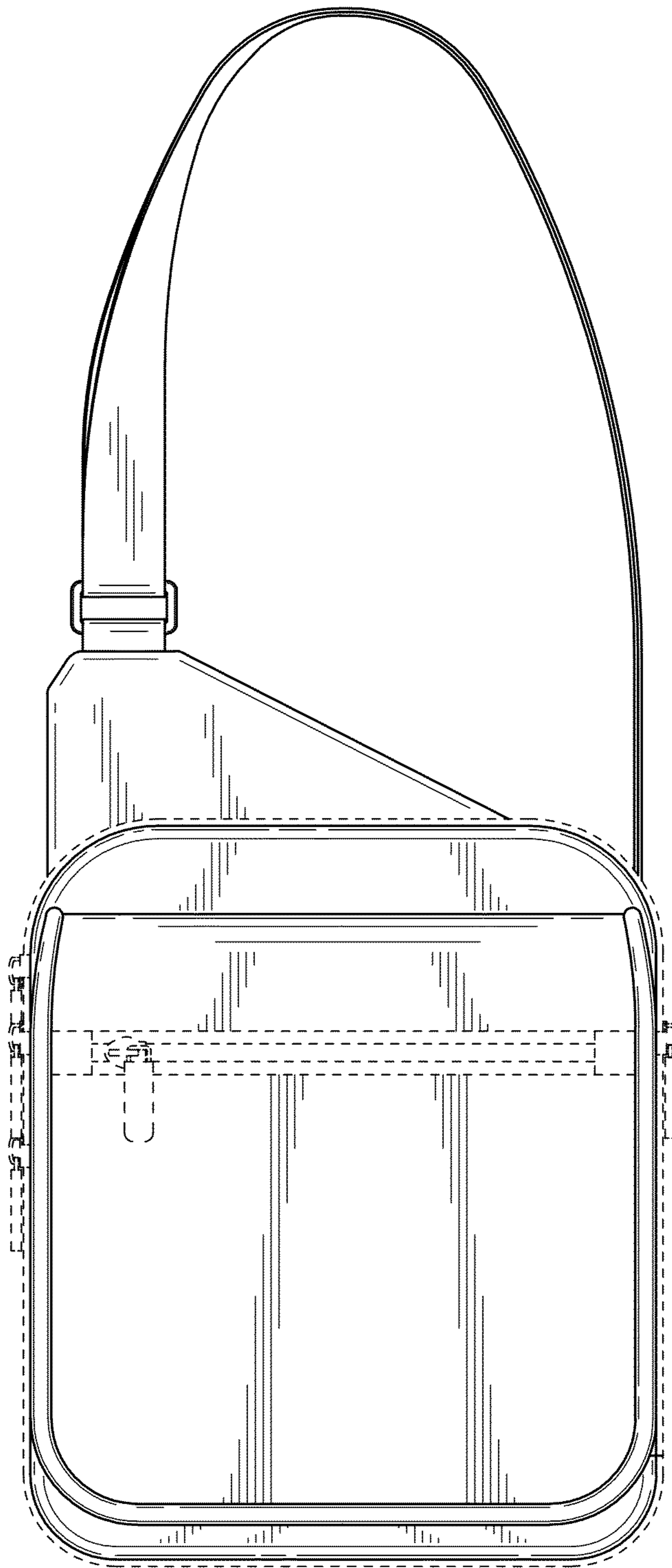


FIG. 10

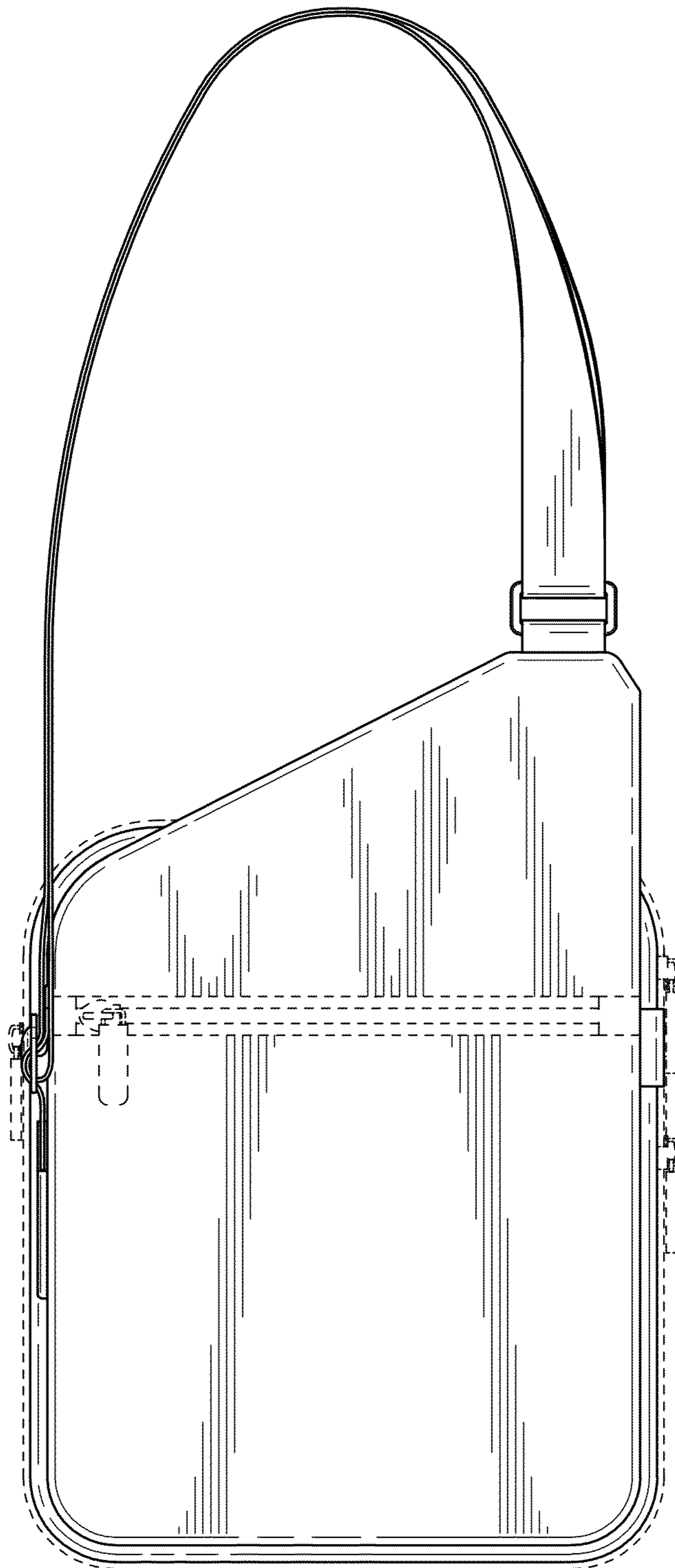


FIG. 11

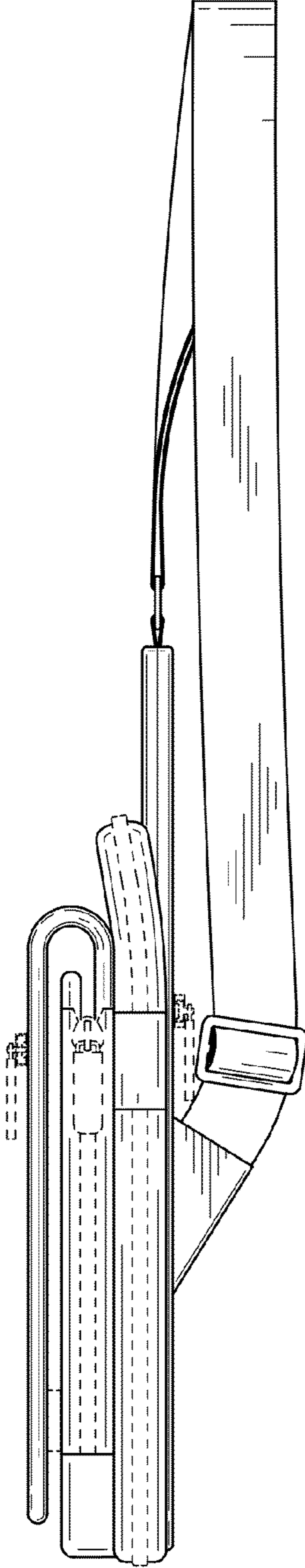


FIG. 12

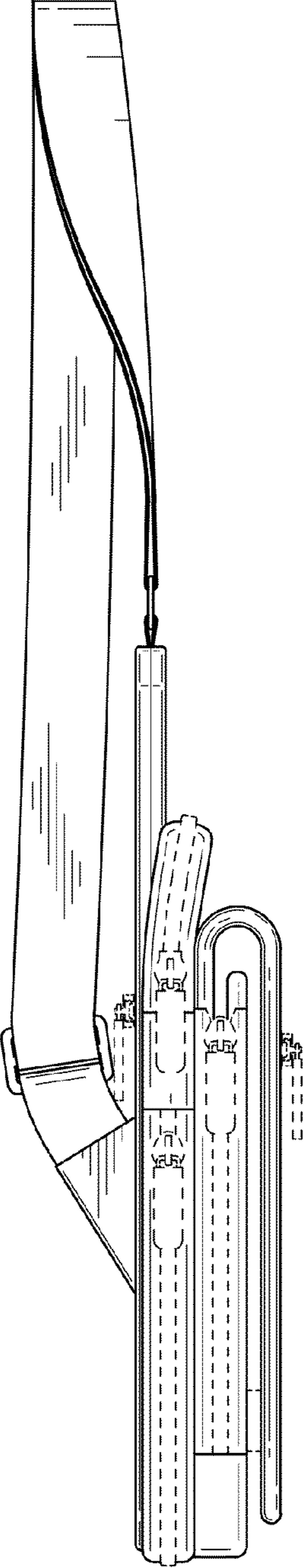


FIG. 13

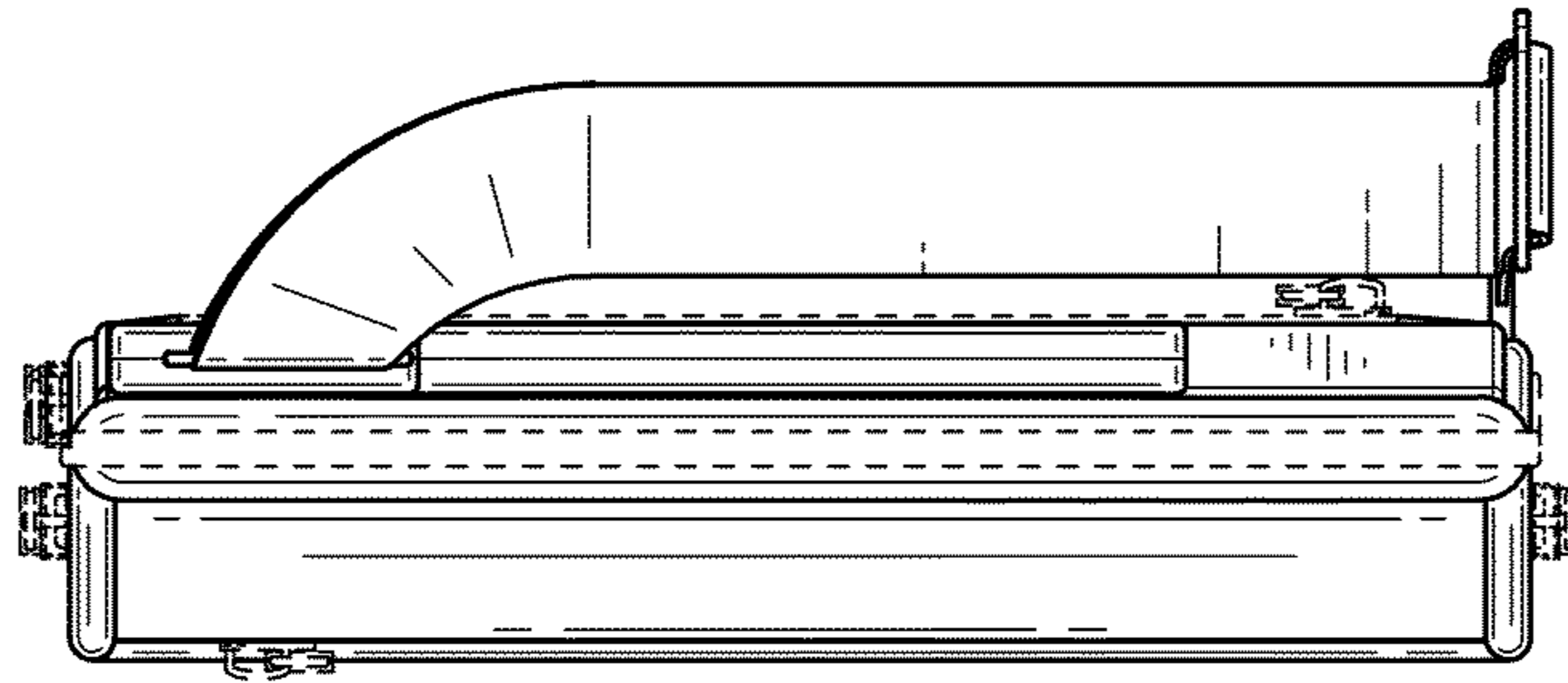


FIG. 14

