



US00D704435S

(12) **United States Design Patent**
Moreau et al.

(10) **Patent No.:** **US D704,435 S**

(45) **Date of Patent:** **** May 13, 2014**

(54) **TOOL POUCH WITH RETRACTOR COMPARTMENTS**

Primary Examiner — Catheri Oliver-Garcia

(74) *Attorney, Agent, or Firm* — Mesmer & Deleault, PLLC

(71) Applicant: **Ty-Flot, Inc.**, Manchester, NH (US)

(72) Inventors: **Darrell A. Moreau**, Manchester, NH (US); **Andre W. Moreau**, Spring Hill, FL (US)

(73) Assignee: **Ty-Flot, Inc.**, Manchester, NH (US)

(**) Term: **14 Years**

(21) Appl. No.: **29/461,213**

(22) Filed: **Jul. 19, 2013**

(51) **LOC (10) Cl.** **03-01**

(52) **U.S. Cl.**
USPC **D3/228**

(58) **Field of Classification Search**
USPC D3/228, 224, 226, 215, 221, 263, 267;
224/575-577, 625, 660, 665, 674,
224/676-677, 680, 682-683; 206/372-376
See application file for complete search history.

(56) **References Cited**

U.S. PATENT DOCUMENTS

D481,535 S	*	11/2003	Cabrera et al.	D3/228
D531,401 S	*	11/2006	Thurner	D3/228
D588,800 S	*	3/2009	Cicione	D3/228

* cited by examiner

(57) **CLAIM**

We claim the ornamental design for a tool pouch with retractor compartments, as shown and described.

DESCRIPTION

FIG. 1 is a front, left perspective view of a tool pouch with retractor compartments in a closed position showing our new design.

FIG. 2 is a front, right perspective view thereof.

FIG. 3 is a top plan view thereof.

FIG. 4 is a bottom plan view thereof.

FIG. 5 is a left side elevation thereof.

FIG. 6 is a right side elevation thereof.

FIG. 7 is a rear, right perspective view thereof.

FIG. 8 is a rear, left perspective view thereof.

FIG. 9 is front elevation thereof.

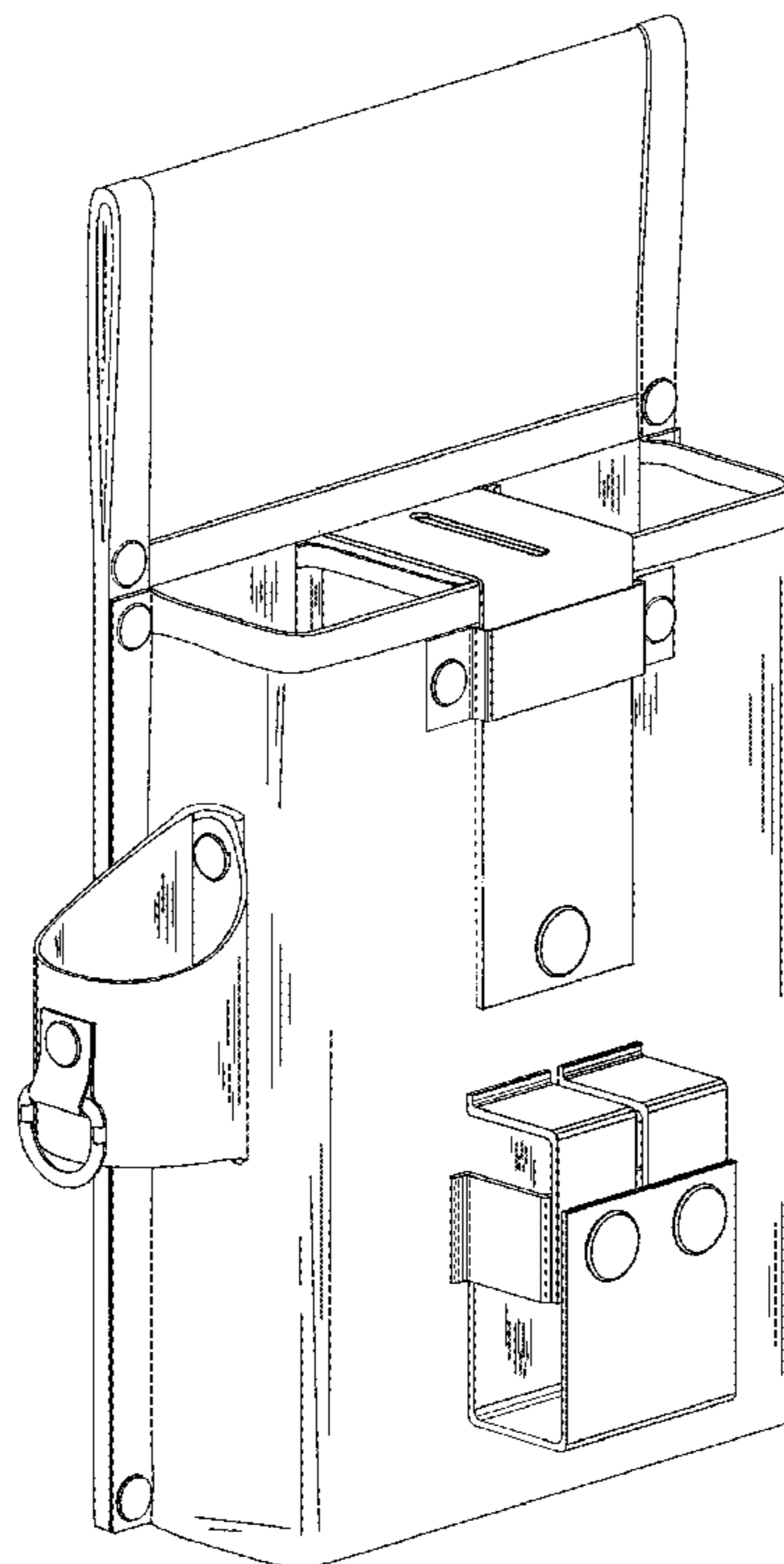
FIG. 10 is a rear elevation thereof.

FIG. 11 is a front, left perspective view of the tool pouch of FIG. 1 showing the retractor compartments in an open position.

FIG. 12 is a front, right perspective view the tool pouch of FIG. 1 showing the retractor compartments in an open position; and,

FIG. 13 is a front elevation the tool pouch of FIG. 1 showing the retractor compartments in an open position.

1 Claim, 11 Drawing Sheets



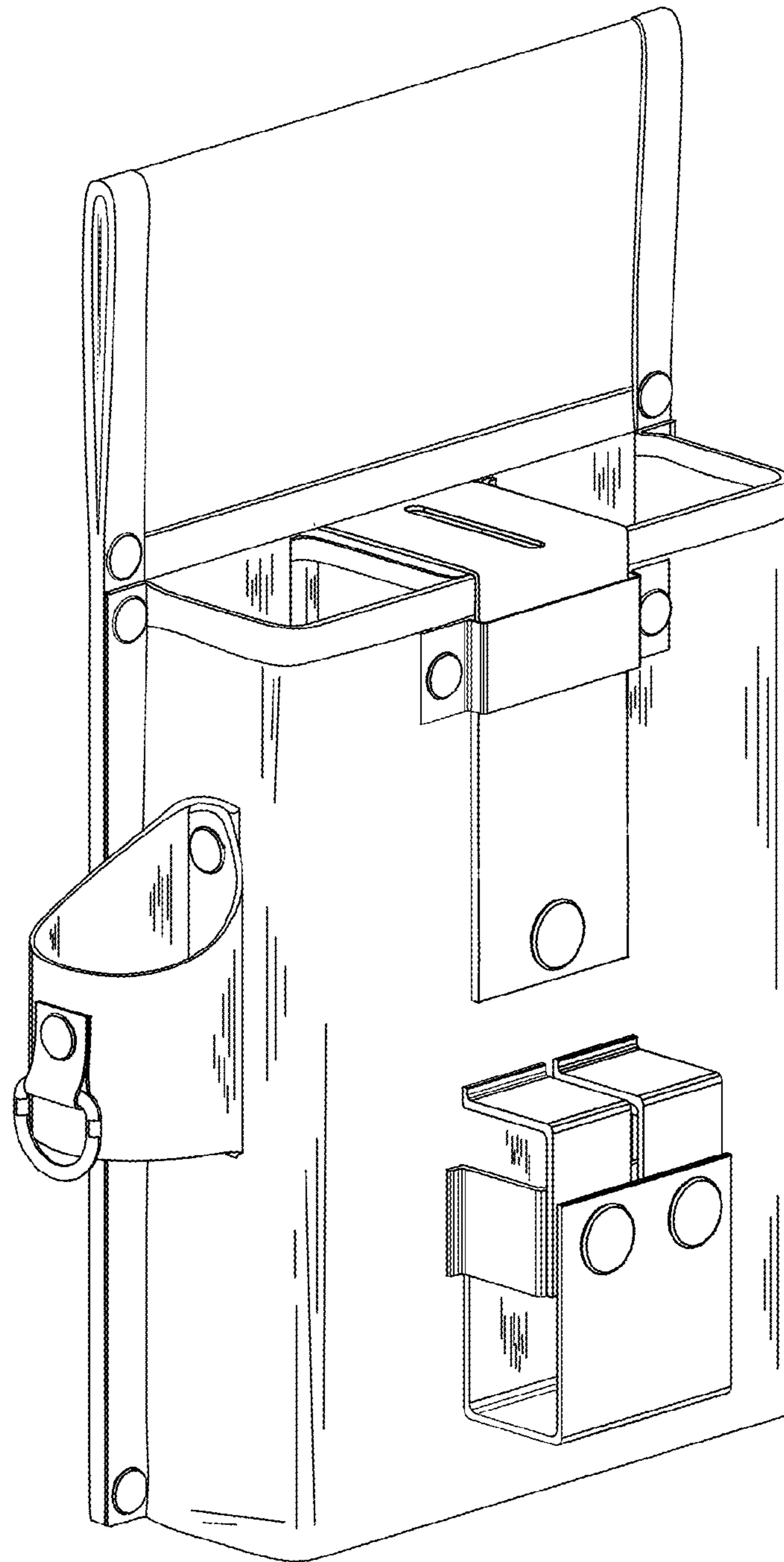


Figure 1

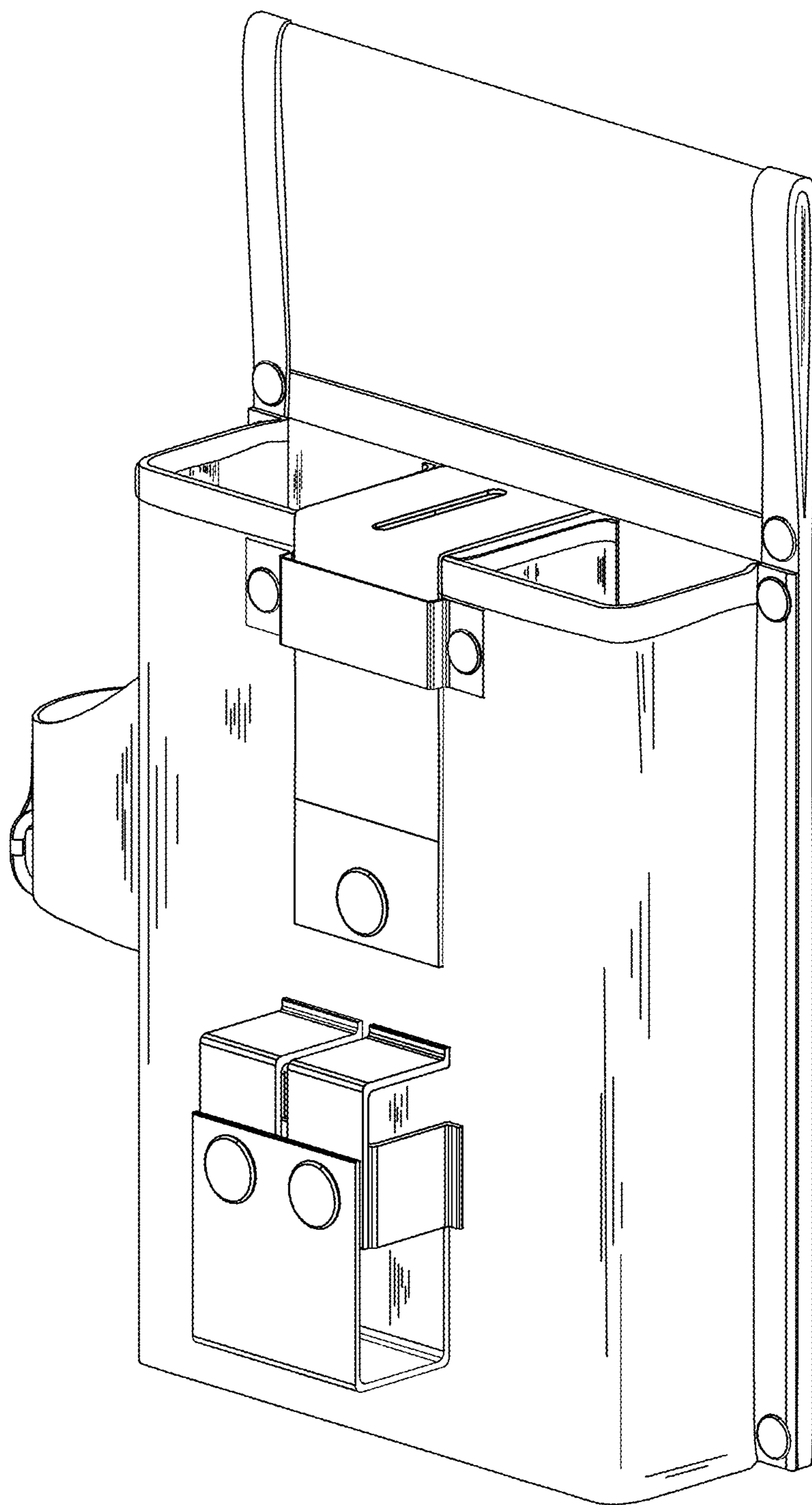


Figure 2

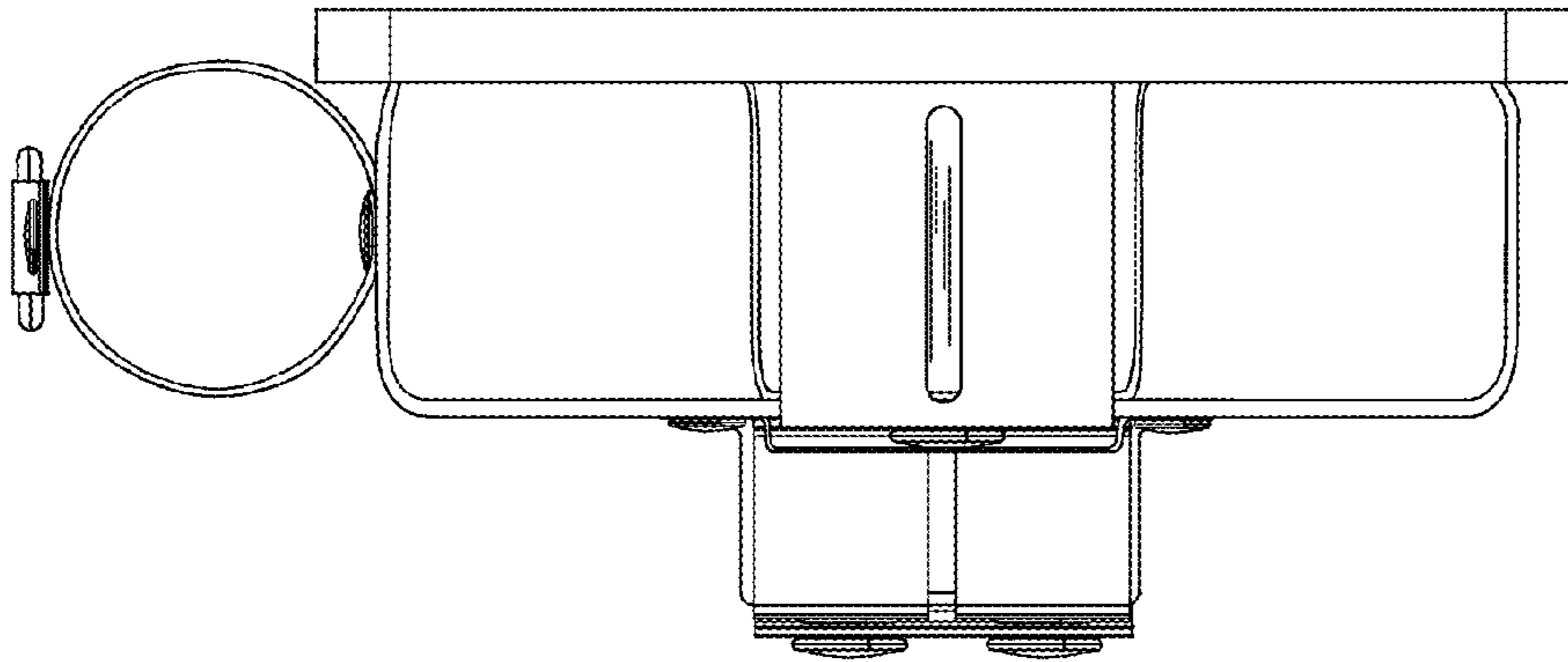


Figure 3

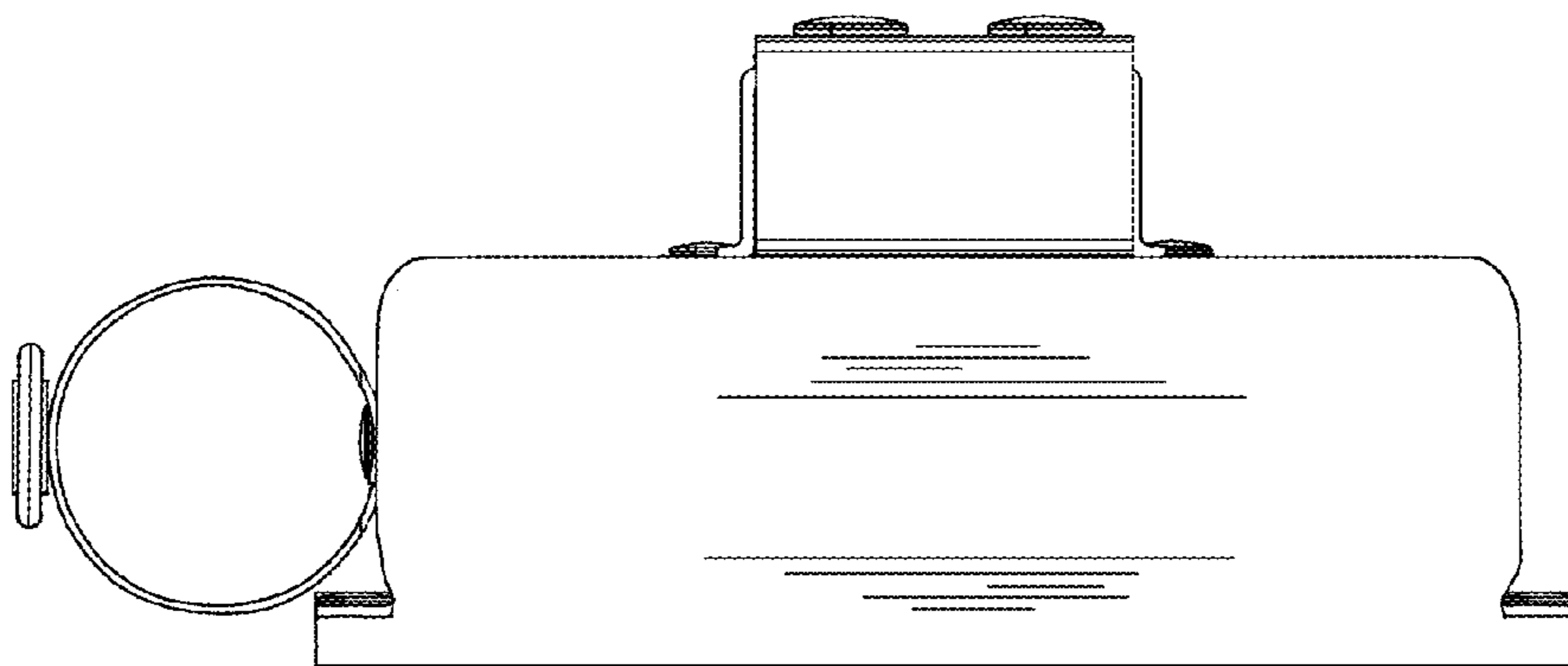


Figure 4

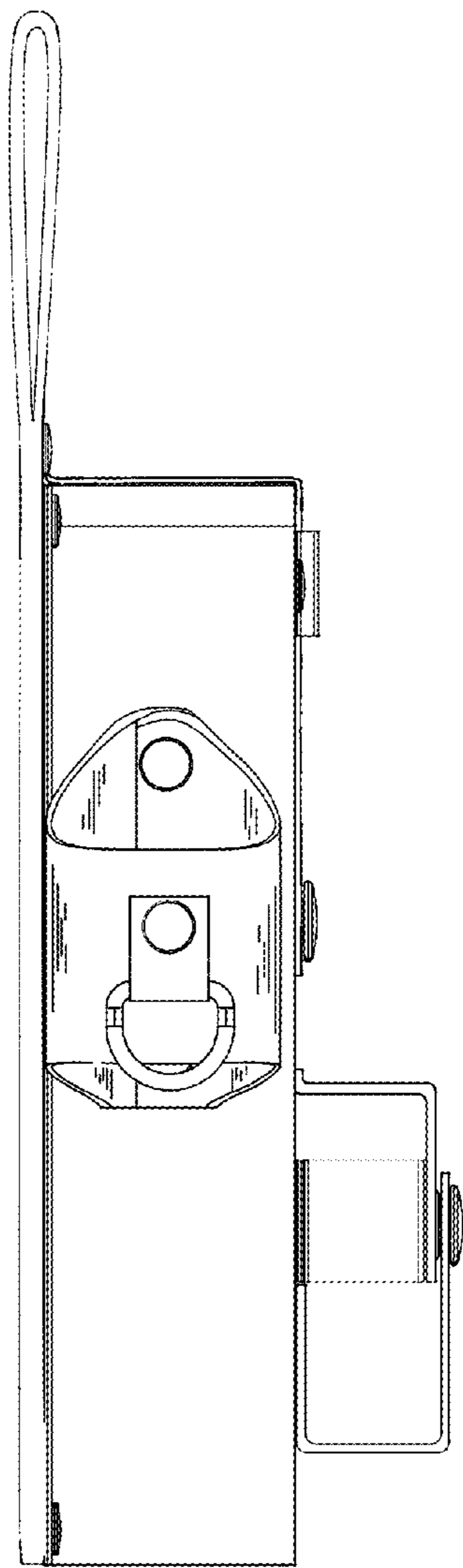


Figure 5

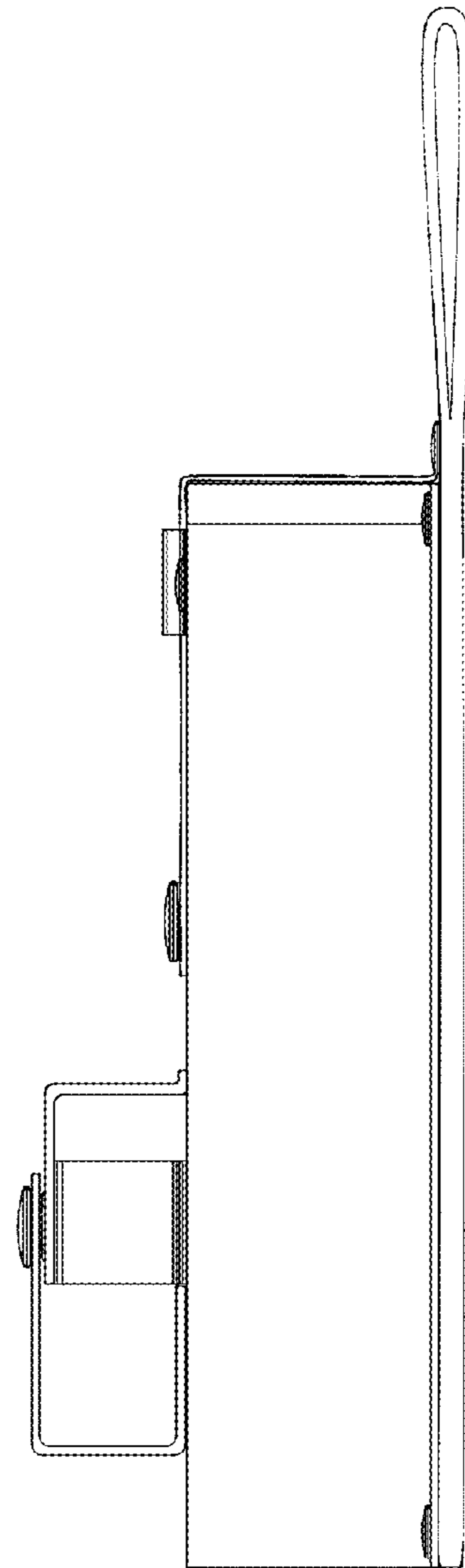


Figure 6

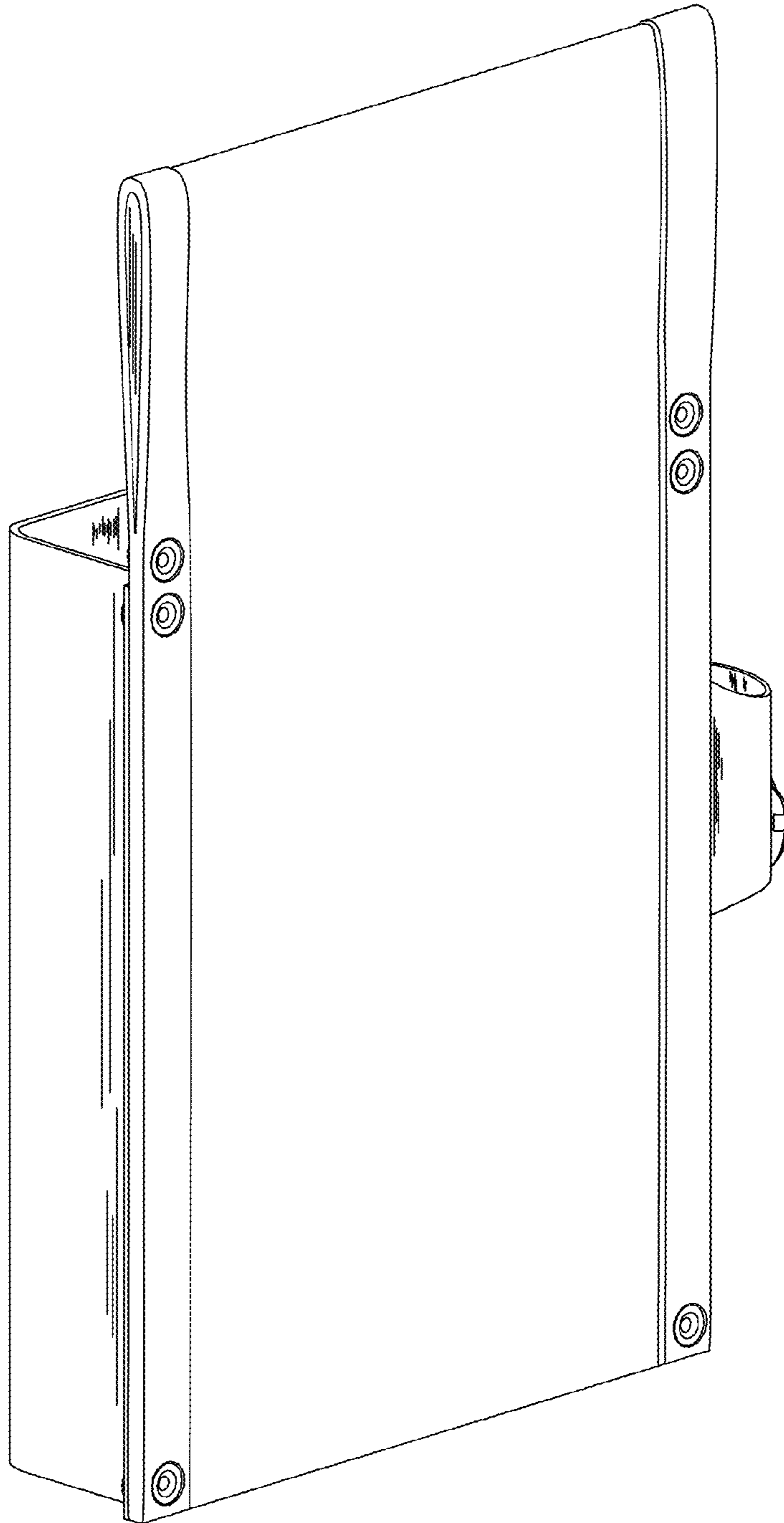


Figure 7

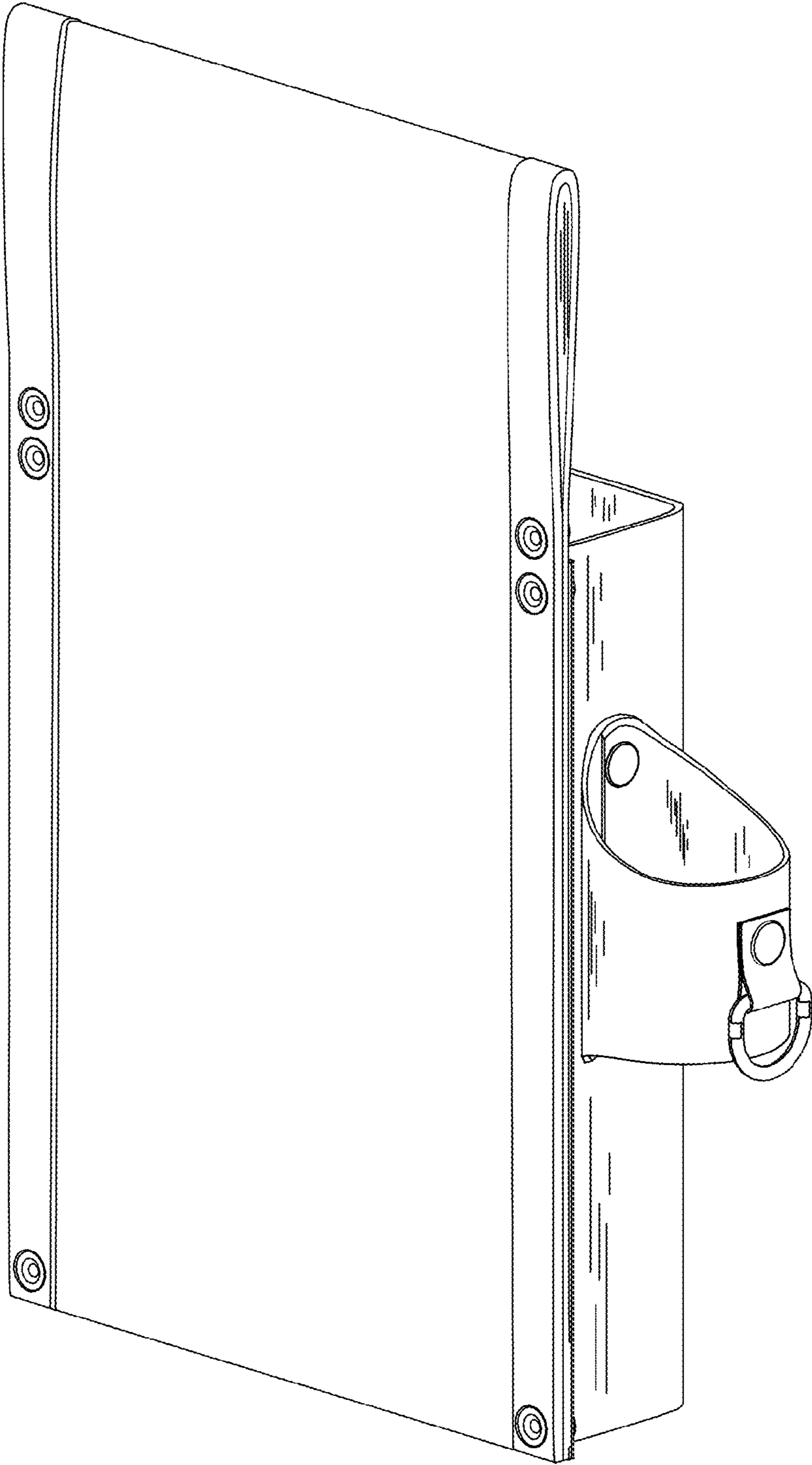


Figure 8

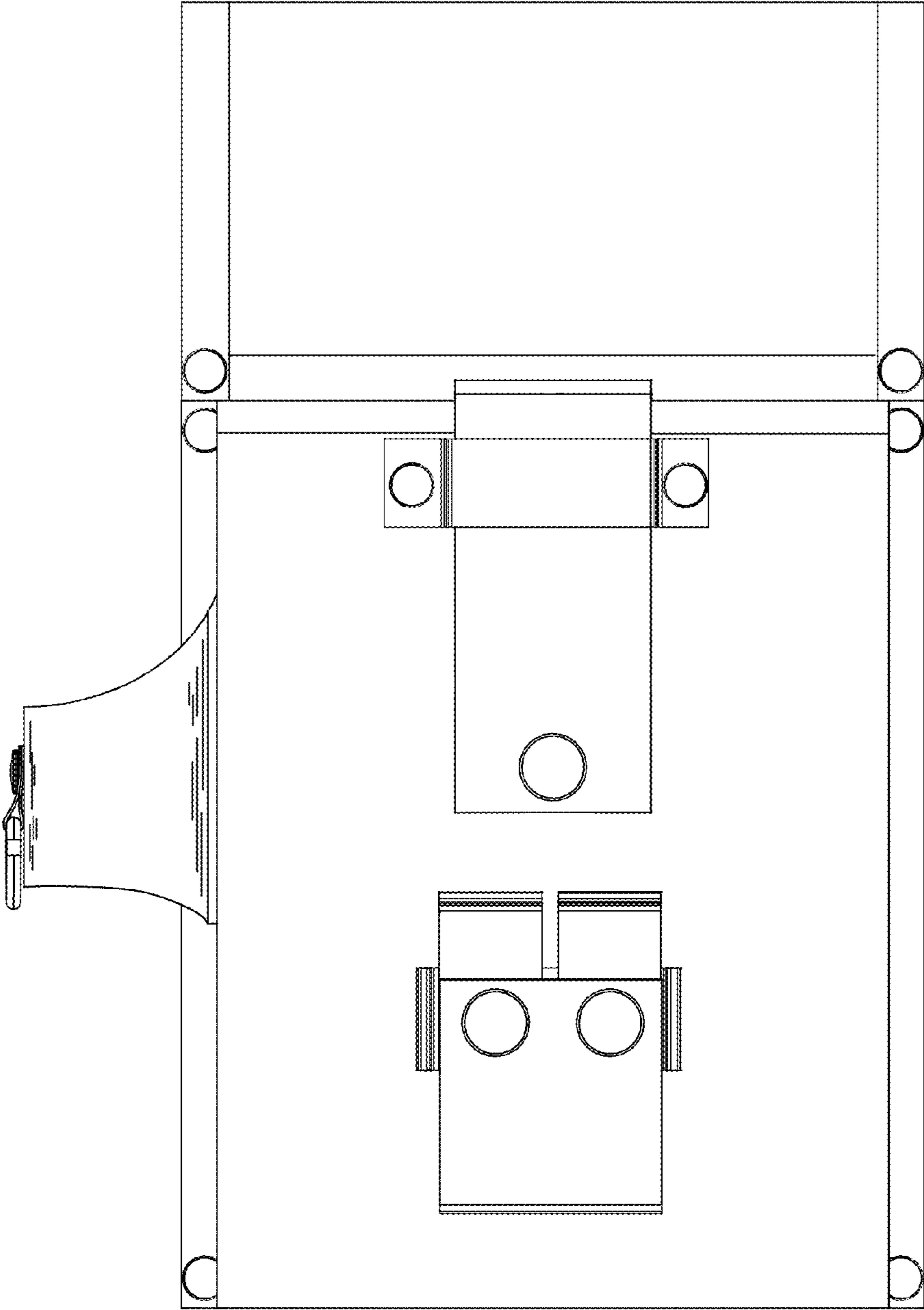


Figure 9

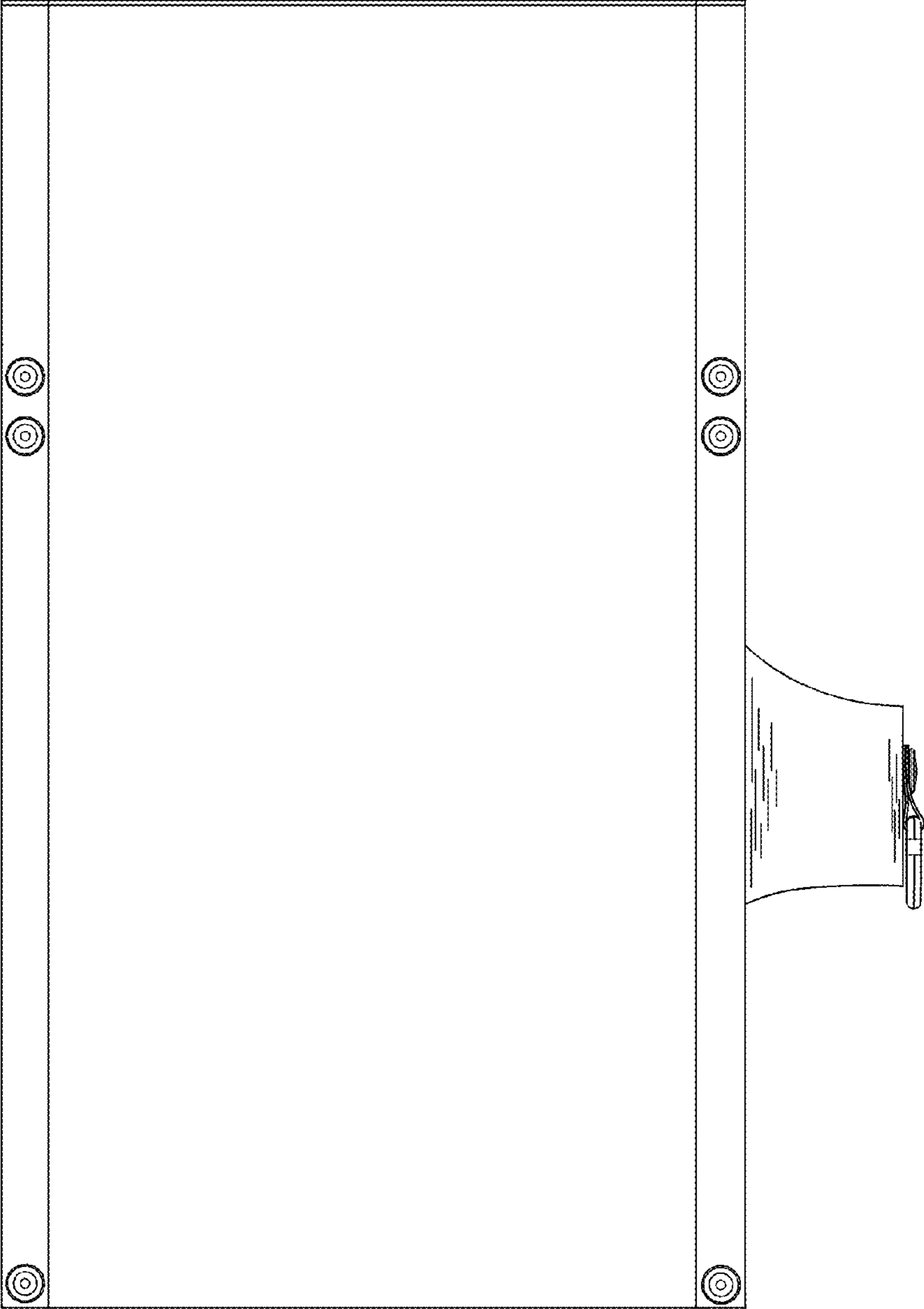


Figure 10

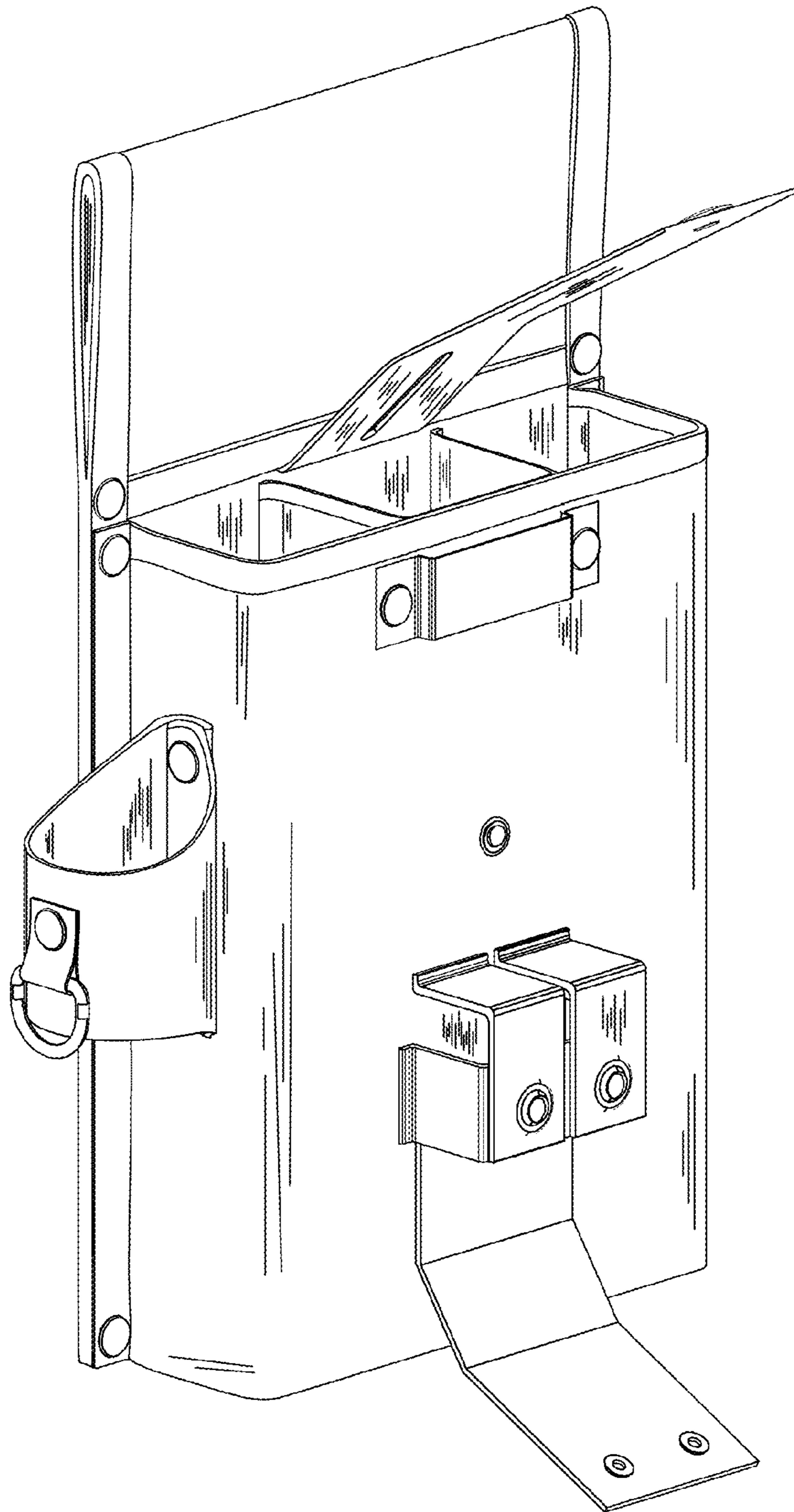


Figure 11

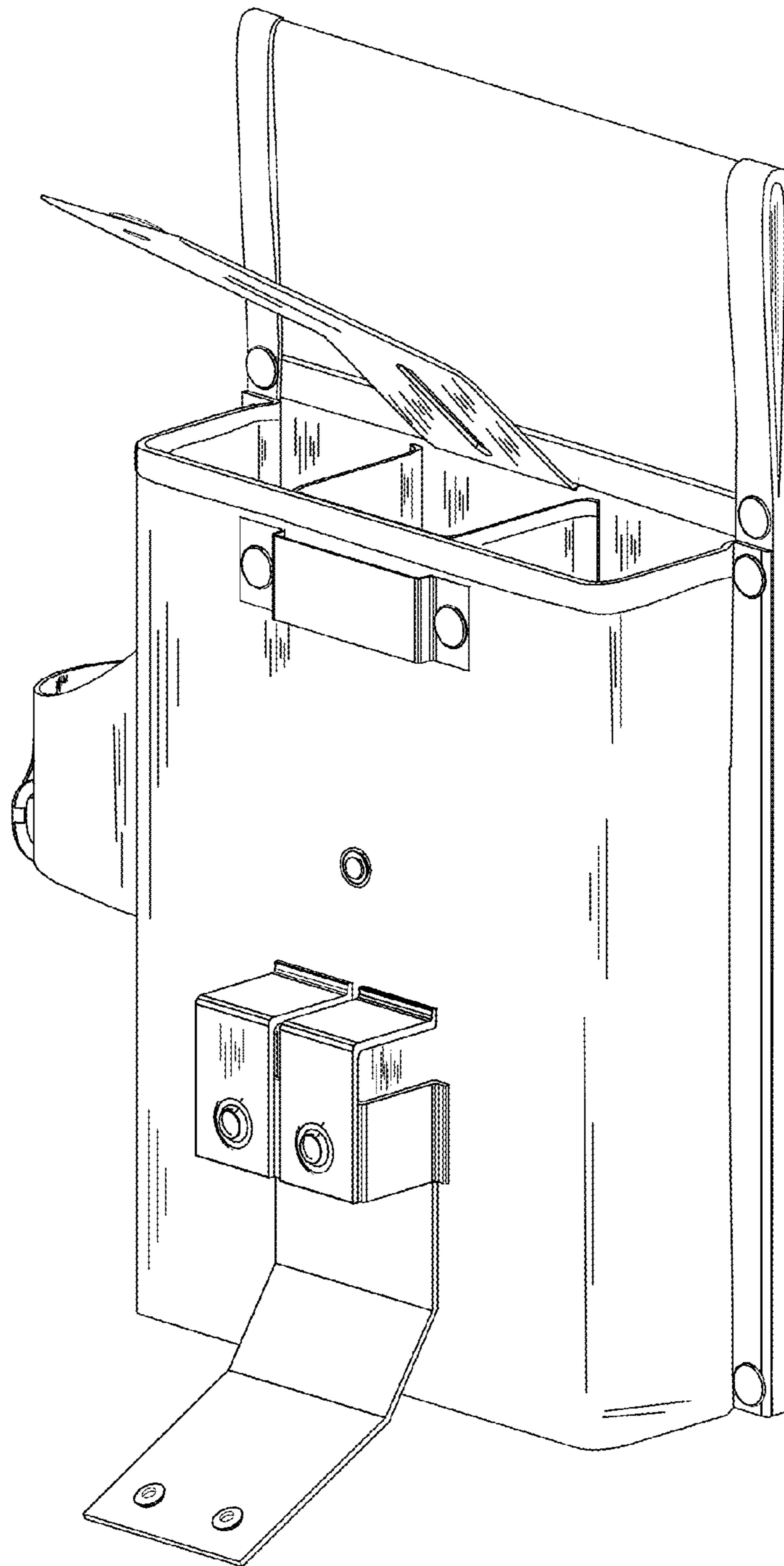


Figure 12

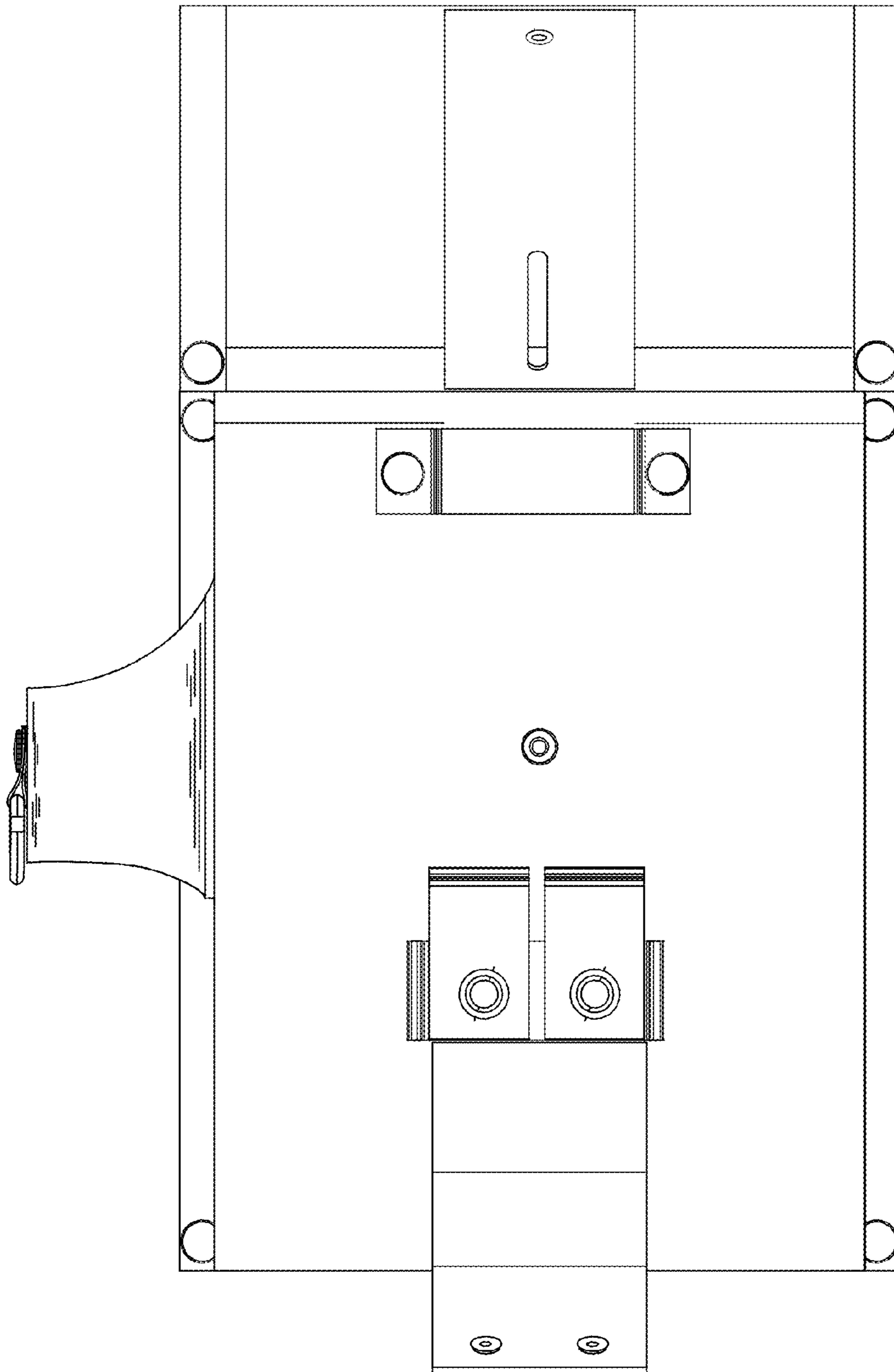


Figure 13