



US00D704433S

(12) **United States Design Patent**  
**Heap**

(10) **Patent No.:** **US D704,433 S**

(45) **Date of Patent:** **\*\* May 13, 2014**

(54) **CLIP-ON CHILD HANDLE**

(71) Applicant: **Big Family Solutions LLC**, Commerce City, CO (US)

(72) Inventor: **Jennifer C Heap**, Commerce City, CO (US)

(73) Assignee: **Big Family Solutions LLC**, Commerce City, CO (US)

(\*\*) Term: **14 Years**

(21) Appl. No.: **29/439,293**

(22) Filed: **Dec. 10, 2012**

(51) **LOC (10) Cl.** ..... **03-99**

(52) **U.S. Cl.**  
USPC ..... **D3/213**

(58) **Field of Classification Search**  
USPC ..... D3/213, 215; D29/100, 120.1, 122;  
D30/144, 152, 153, 199; 119/769, 770;  
2/1; 224/218, 219, 220, 148.6;  
280/821, 822; 248/102, 104; D24/110,  
D24/199; D7/396.2

See application file for complete search history.

(56) **References Cited**

**U.S. PATENT DOCUMENTS**

|           |      |         |                |           |
|-----------|------|---------|----------------|-----------|
| 3,536,068 | A *  | 10/1970 | Stubbs         | 128/878   |
| 4,315,641 | A *  | 2/1982  | Larsen         | 280/822   |
| 4,688,564 | A *  | 8/1987  | Kelly          | 128/878   |
| 4,745,883 | A *  | 5/1988  | Baggetta       | 119/770   |
| 4,751,896 | A *  | 6/1988  | Miley          | 119/770   |
| 4,765,279 | A *  | 8/1988  | Klickstein     | 119/770   |
| 5,082,156 | A *  | 1/1992  | Braun          | 224/220   |
| 5,423,292 | A *  | 6/1995  | Hall           | 119/770   |
| 5,613,657 | A *  | 3/1997  | Olaiz          | 248/102   |
| 5,699,555 | A *  | 12/1997 | Schunter       | 2/1       |
| D398,080  | S *  | 9/1998  | Nealon         | D29/100   |
| D458,414  | S *  | 6/2002  | Major          | D29/100   |
| 6,553,944 | B1 * | 4/2003  | Allen et al.   | 119/769   |
| 6,978,918 | B2 * | 12/2005 | Scanlan et al. | 224/148.6 |

|              |      |         |              |          |
|--------------|------|---------|--------------|----------|
| D597,788     | S *  | 8/2009  | Ellis        | D7/396.2 |
| D605,284     | S *  | 12/2009 | Chestnut     | D24/110  |
| D626,654     | S *  | 11/2010 | Carter       | D24/199  |
| D654,639     | S    | 2/2012  | Huber et al. |          |
| 2007/0252048 | A1 * | 11/2007 | Ivie et al.  | 248/104  |
| 2009/0235873 | A1 * | 9/2009  | Gould et al. | 119/770  |
| 2011/0023793 | A1 * | 2/2011  | Marricle     | 119/770  |
| 2012/0103277 | A1   | 5/2012  | Klein        |          |

**OTHER PUBLICATIONS**

M. Delisle, "Toddler handle adjustable circle on brown by lunitouti," web page accessed on Dec. 5, 2012, available at [www.etsy.com/94144497/toddler-handle-adjustable-circle-on](http://www.etsy.com/94144497/toddler-handle-adjustable-circle-on).

\* cited by examiner

*Primary Examiner* — Caron D Veynar

*Assistant Examiner* — Martie K Holtje

(74) *Attorney, Agent, or Firm* — P. N. Dunlap, Esq.

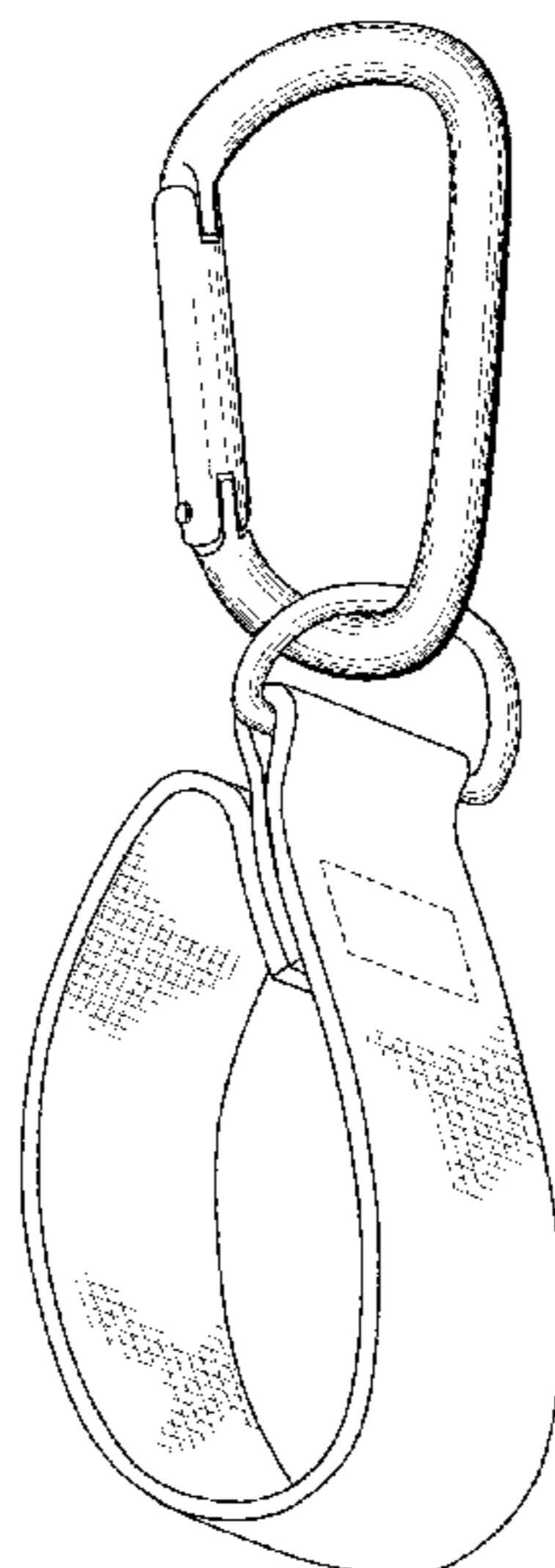
(57) **CLAIM**

The ornamental design for a clip-on child handle, as shown and described.

**DESCRIPTION**

FIG. 1 is a front perspective view of a first embodiment of a clip-on child handle showing my new design;  
FIG. 2 is a rear elevational view thereof;  
FIG. 3 is a side elevational view, the opposite side being a mirror image thereof;  
FIG. 4 is a front elevational view thereof;  
FIG. 5 is a top plan view thereof;  
FIG. 6 is a bottom plan view thereof;  
FIG. 7 is a front perspective view of a second embodiment of my design of FIG. 1;  
FIG. 8 is a rear elevational view of FIG. 7;  
FIG. 9 is a side elevational view of FIG. 7, the opposite side being a mirror image thereof;  
FIG. 10 is a front elevational view of FIG. 7;  
FIG. 11 is a top plan view of FIG. 7; and,  
FIG. 12 is a bottom plan view of FIG. 7.

**1 Claim, 3 Drawing Sheets**



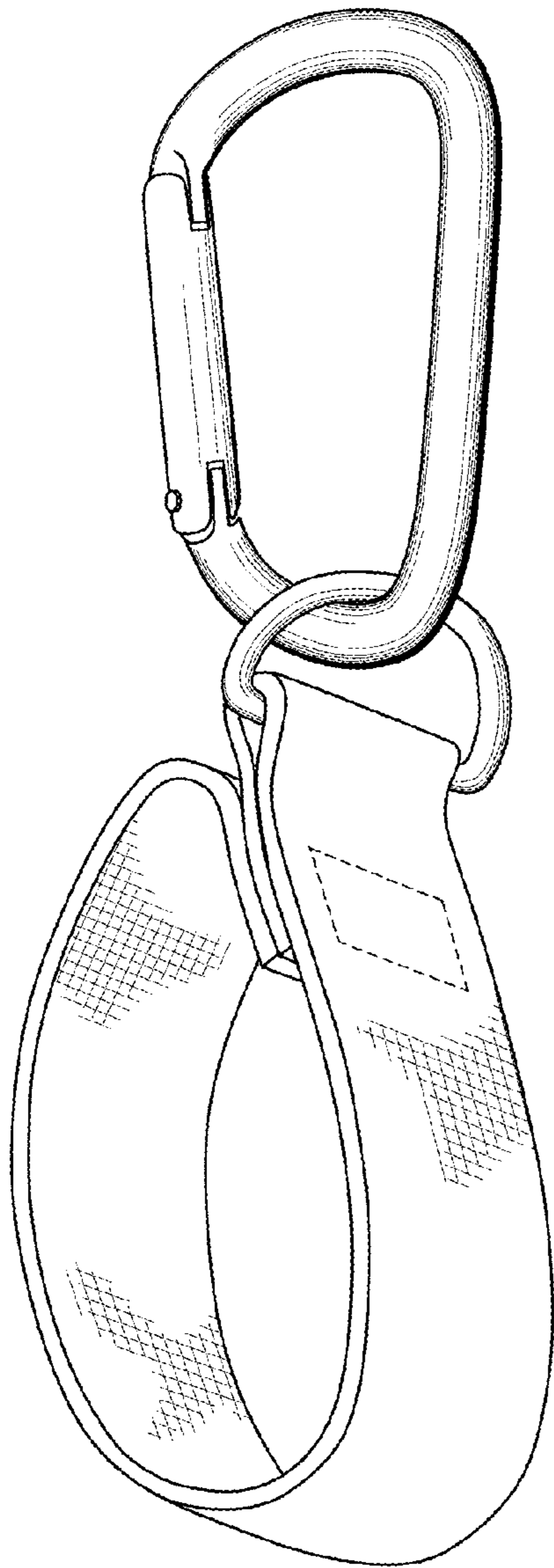


FIG. 1

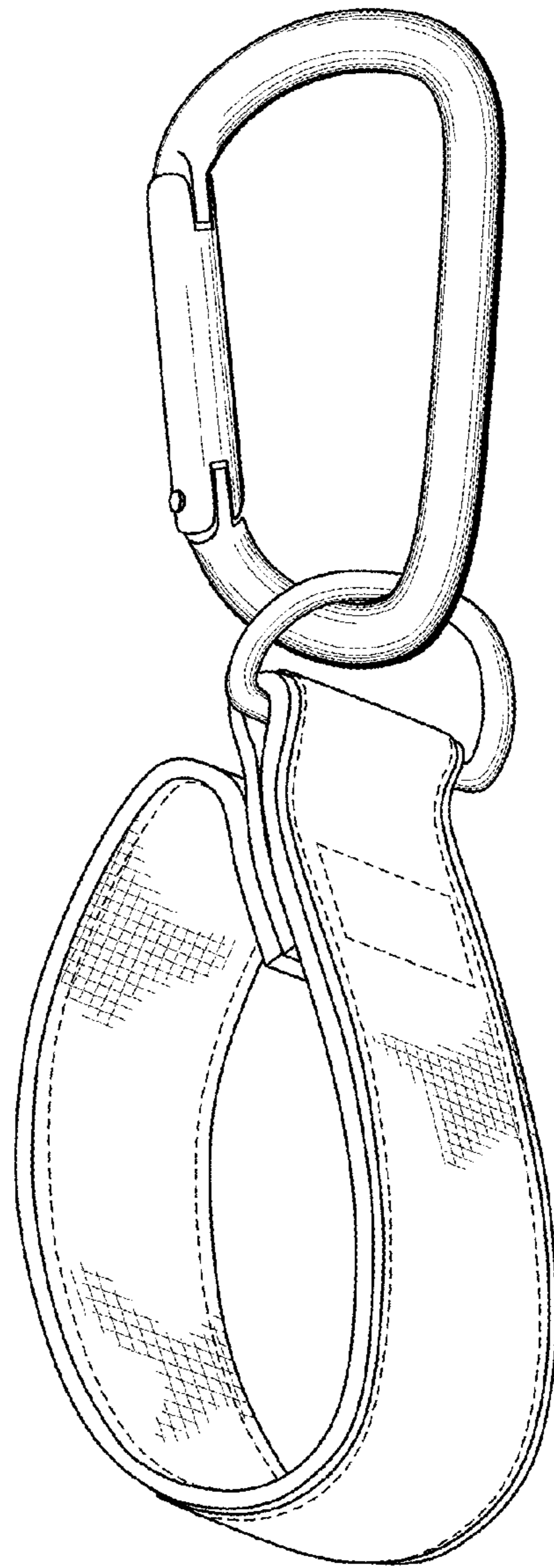


FIG. 7

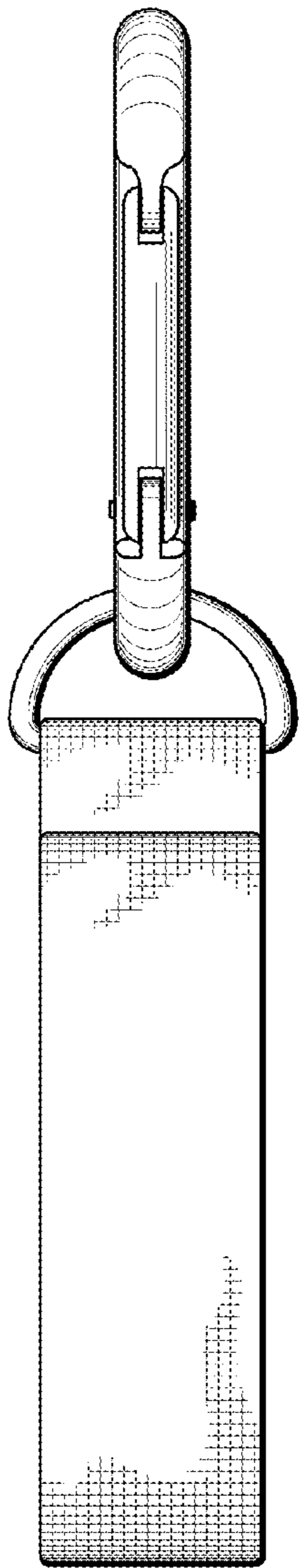


FIG. 2

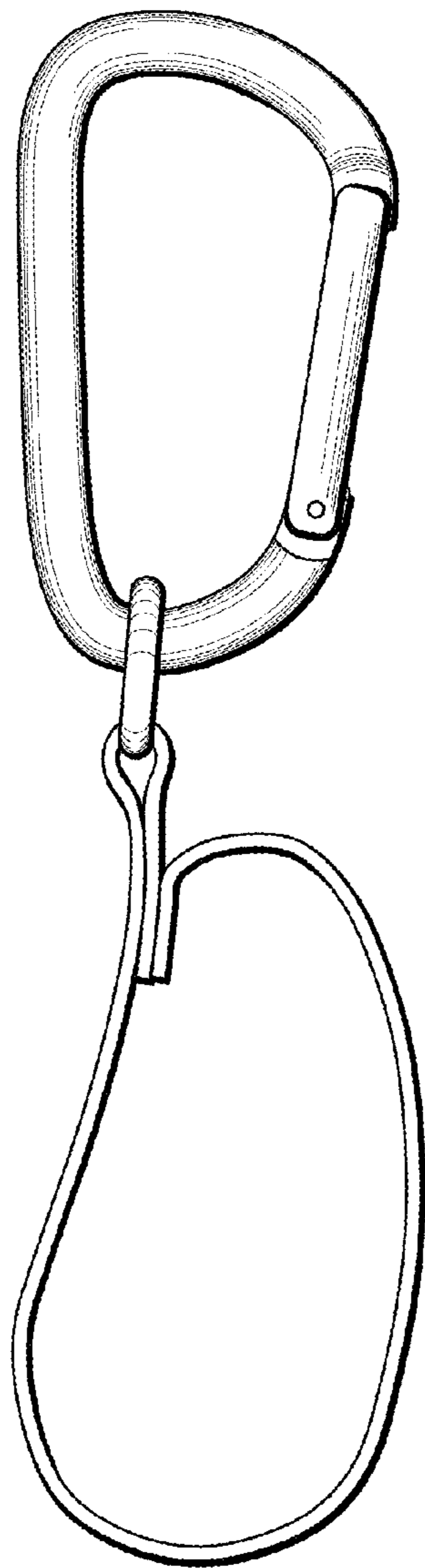


FIG. 3

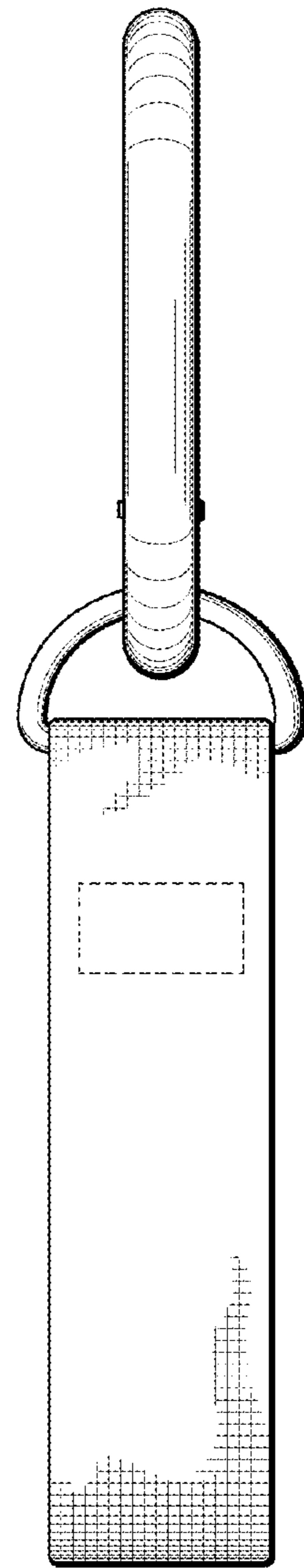


FIG. 4

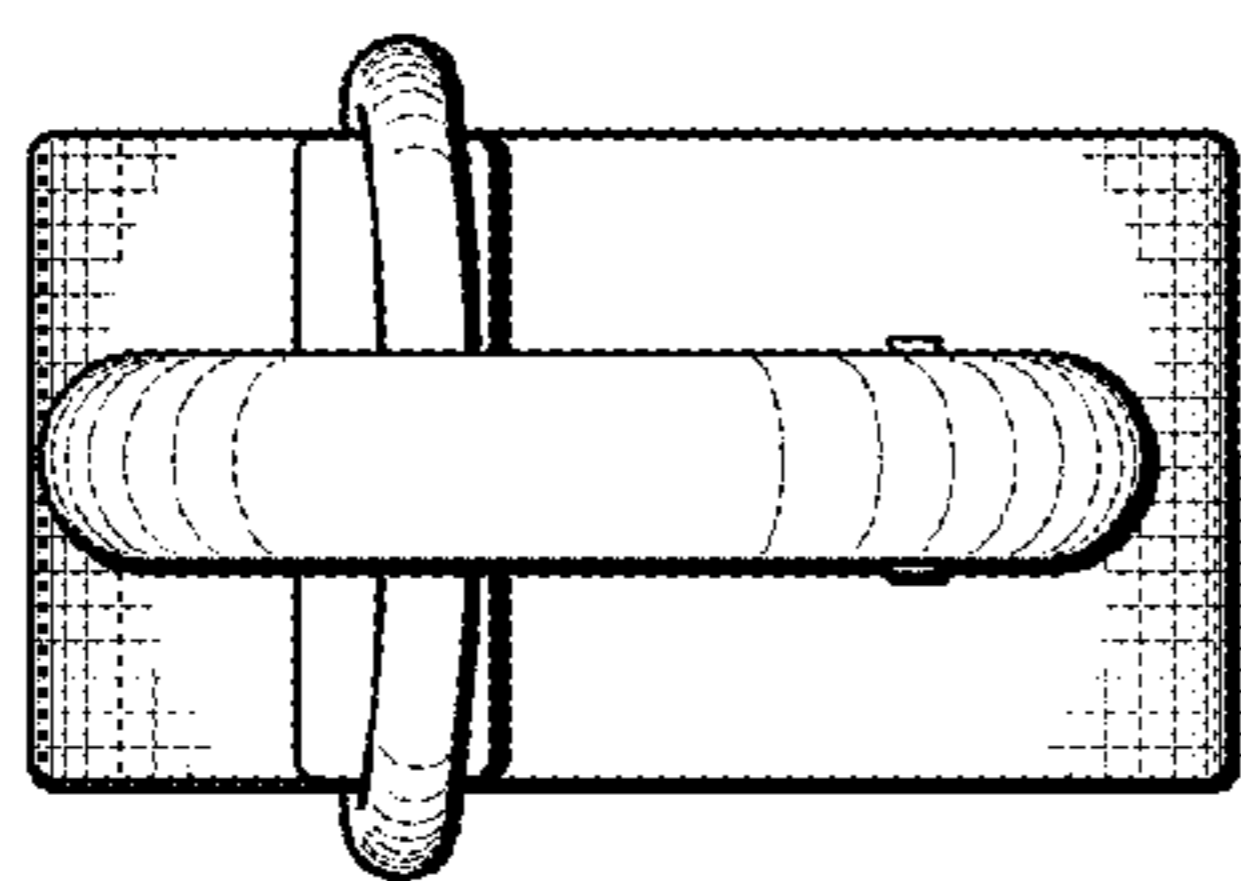


FIG. 5

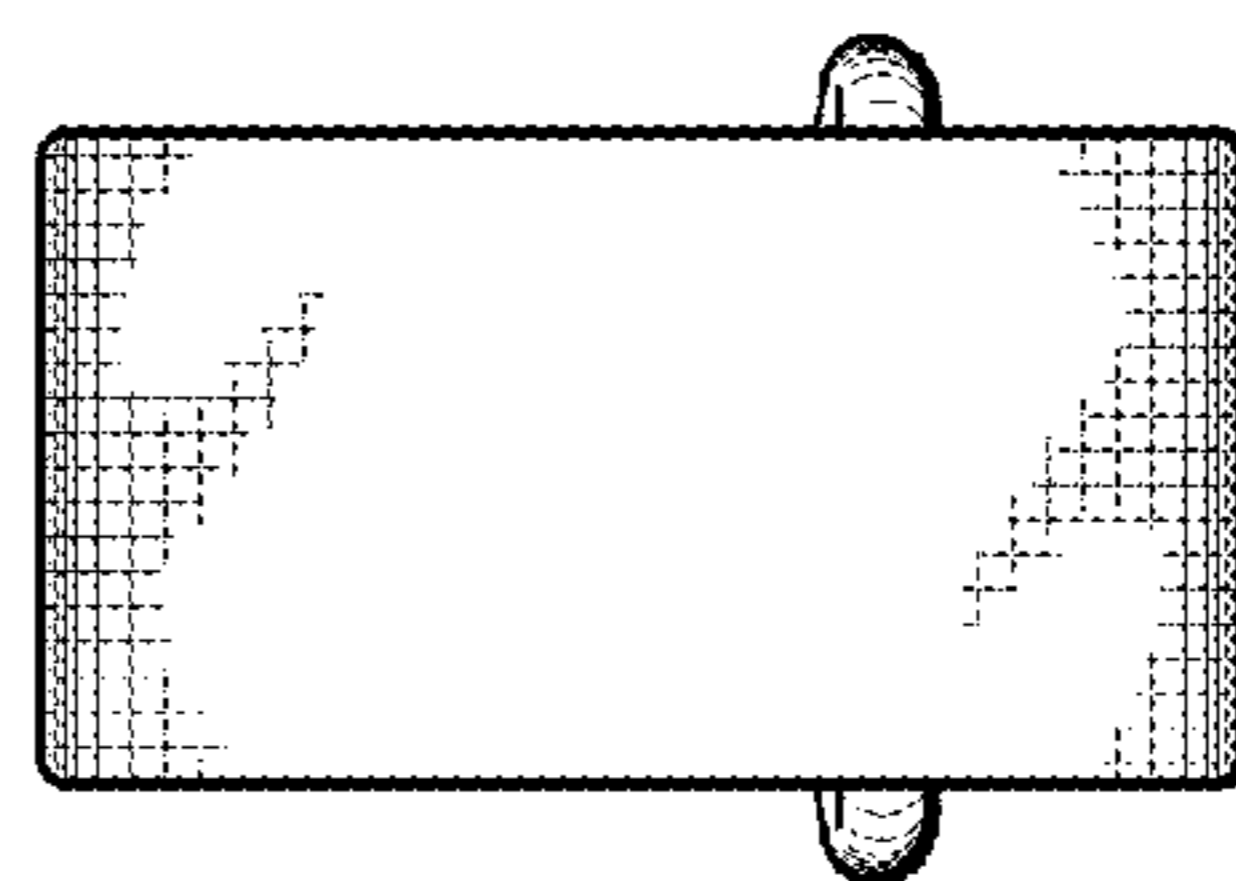


FIG. 6



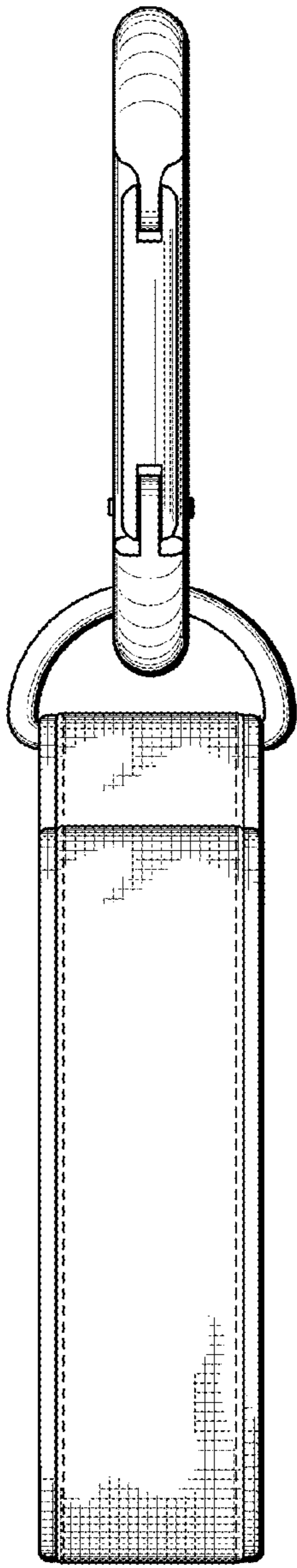


FIG. 8

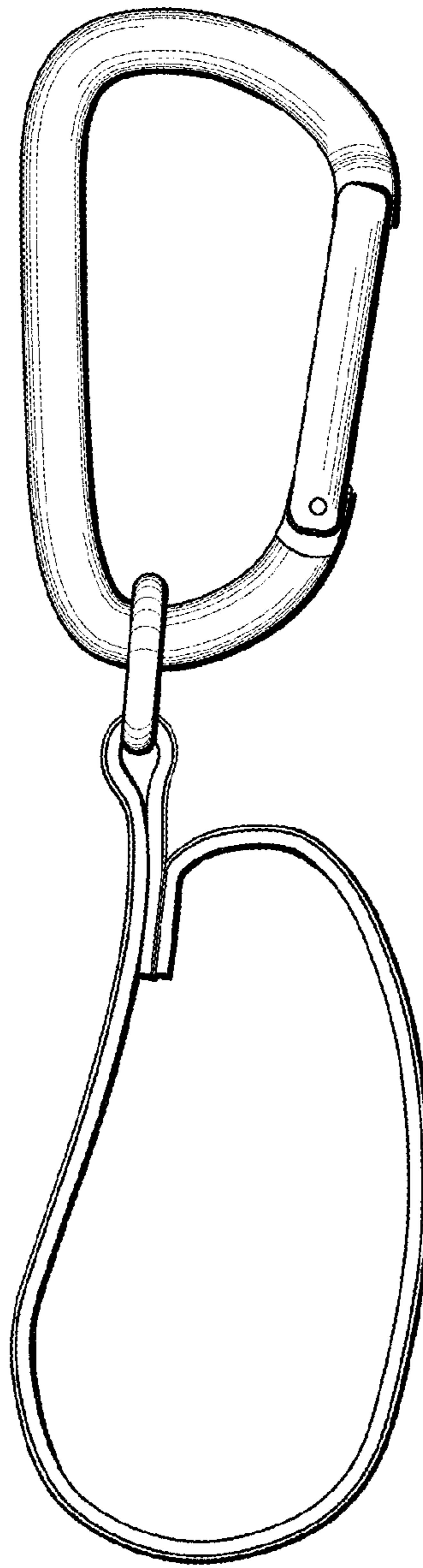


FIG. 9

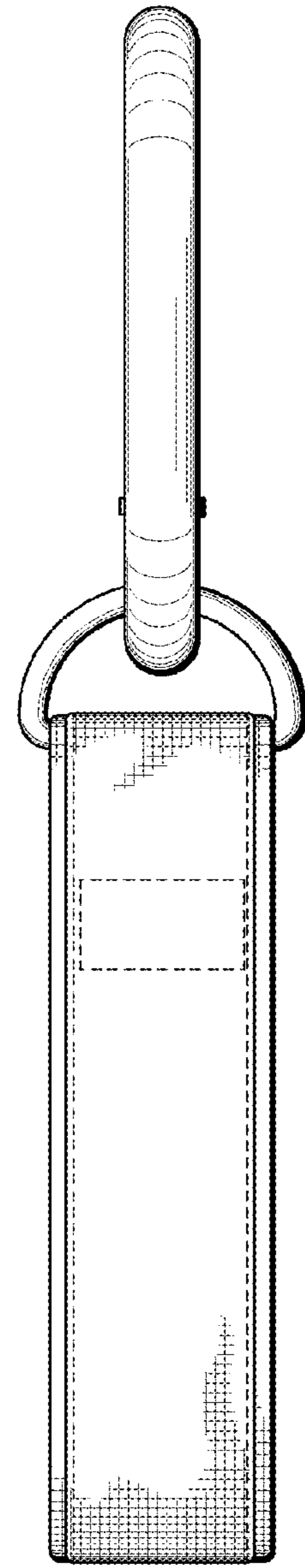


FIG. 10

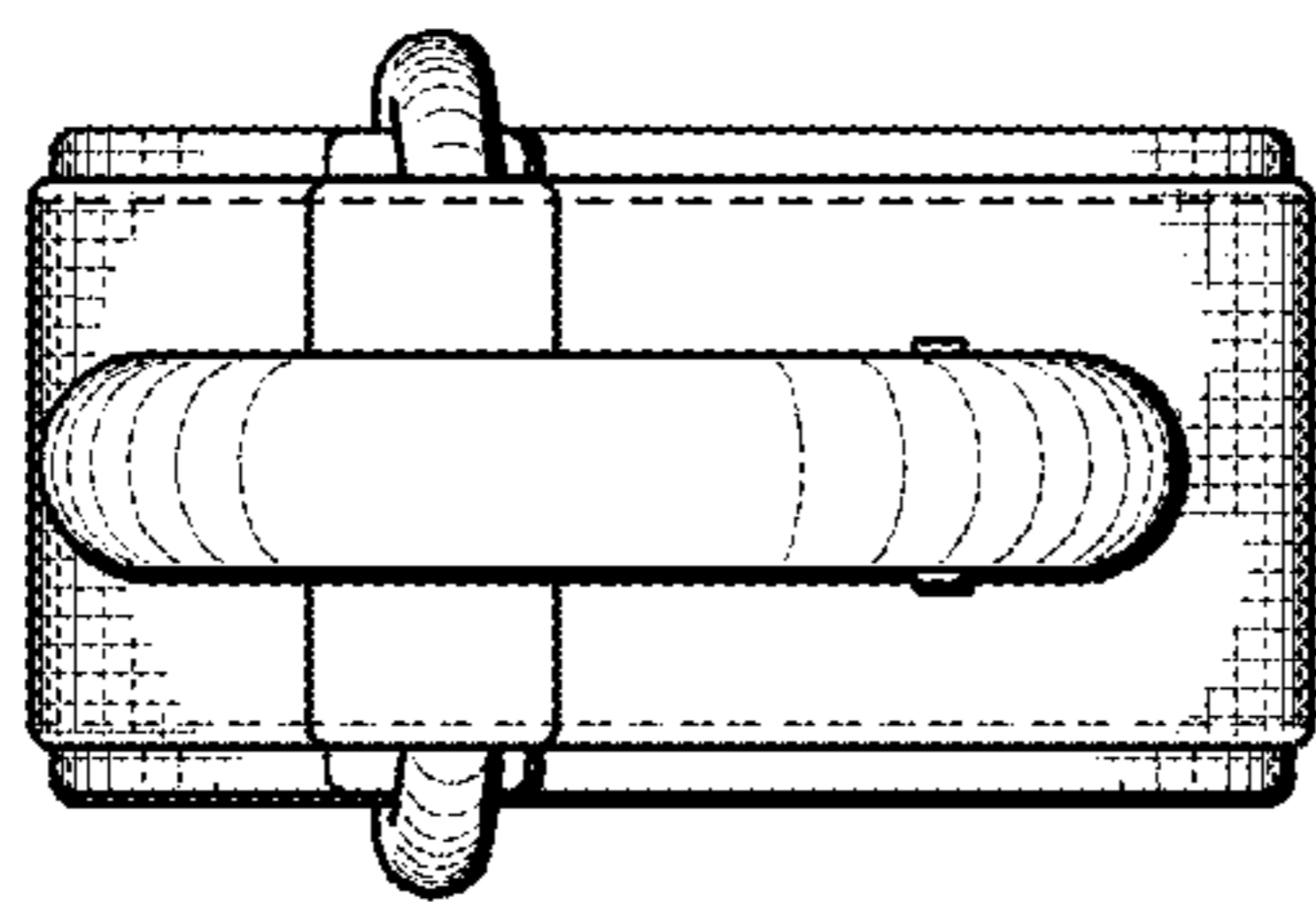


FIG. 11

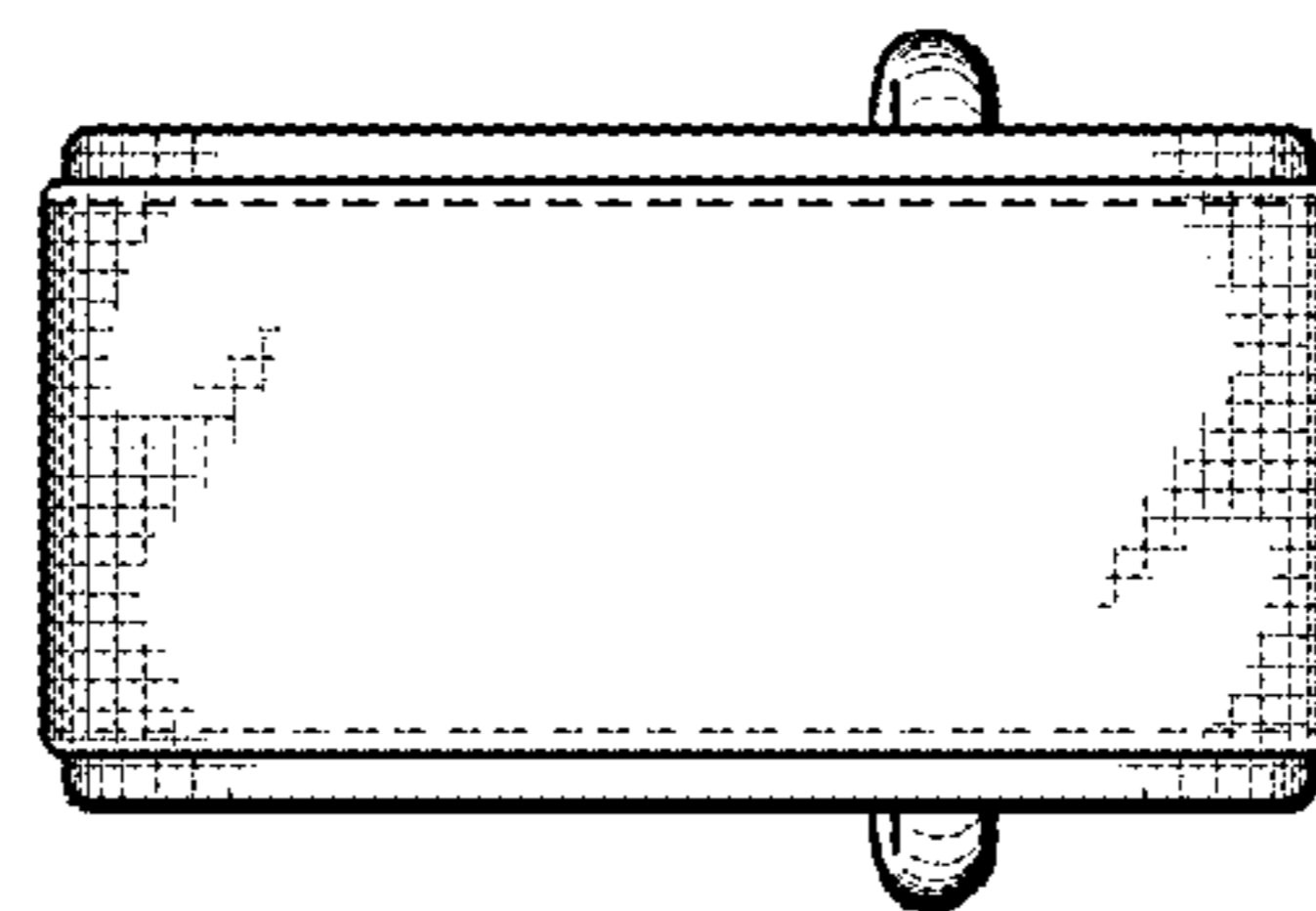


FIG. 12