



US00D704429S

(12) **United States Design Patent**
Nowak et al.

(10) **Patent No.:** **US D704,429 S**
(45) **Date of Patent:** **** May 13, 2014**

(54) **CASE FOR INFUSION EQUIPMENT**

(75) Inventors: **Rachael Nowak**, Guildford (GB);
Andrew Shaw, Rugby (GB); **Graham**
John Martin, Wakefield (GB)

(73) Assignee: **Britannia Pharmaceuticals Limited**,
Berkshire (GB)

(**) Term: **14 Years**

(21) Appl. No.: **29/424,730**

(22) Filed: **Jun. 14, 2012**

(30) **Foreign Application Priority Data**

Dec. 14, 2011 (EM) 001962523

(51) **LOC (10) Cl.** **03-01**

(52) **U.S. Cl.**
USPC **D3/203.1**

(58) **Field of Classification Search**
USPC D3/201–205; D24/108, 111–112,
D24/127–129; 206/528–540; 604/30, 254,
604/127, 245, 253, 246–247, 257, 65
See application file for complete search history.

(56) **References Cited**

U.S. PATENT DOCUMENTS

D561,461 S *	2/2008	Smetham et al.	D3/203.1
D588,797 S *	3/2009	Tanghoej et al.	D3/203.1
D614,396 S *	4/2010	Tanghoej et al.	D3/203.1
D650,986 S *	12/2011	Brady et al.	D3/203.1
D683,842 S *	6/2013	Wang	D24/108

* cited by examiner

Primary Examiner — Catheri Oliver-Garcia

(74) *Attorney, Agent, or Firm* — Mintz Levin Cohn Ferris
Glovsky and Popeo, P.C.

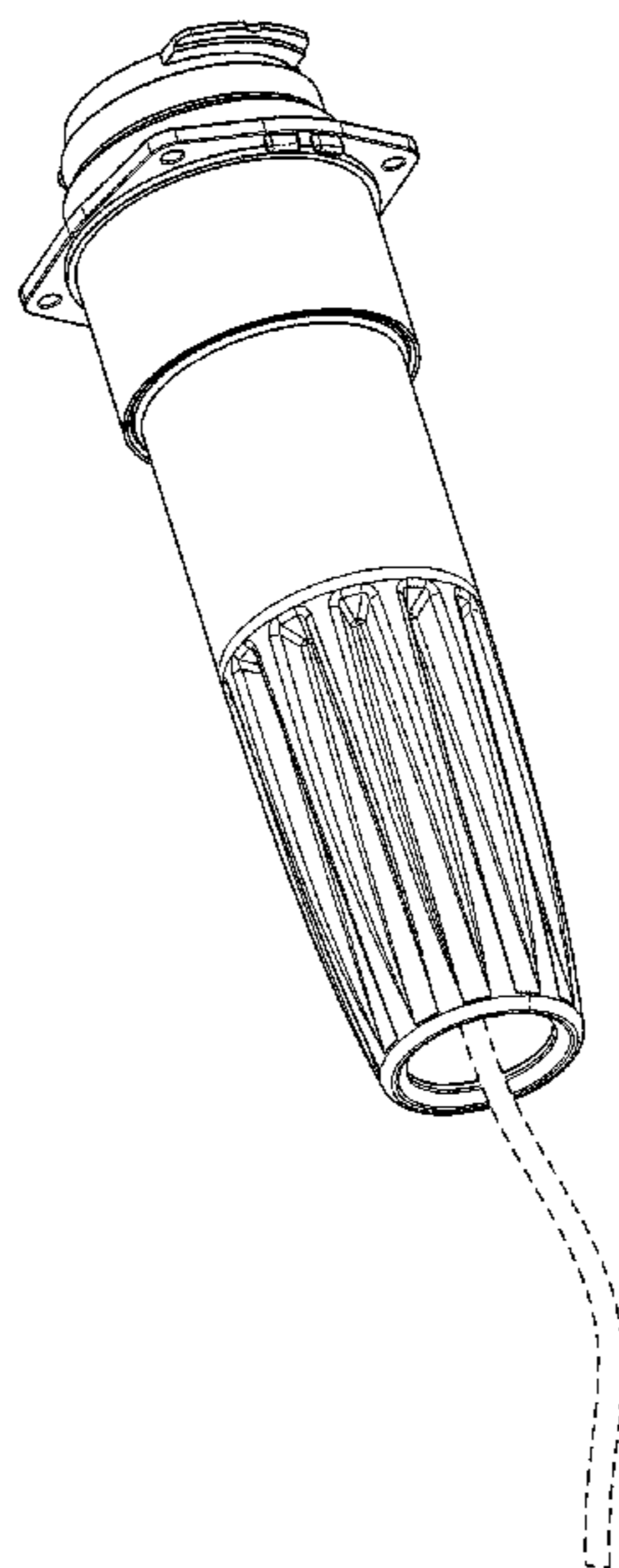
(57) **CLAIM**
The ornamental design for a case for infusion equipment, as
shown and described.

DESCRIPTION

FIG. 1 is a perspective view of the holder part of a case for infusion equipment;
 FIG. 2 is a side view of the holder part shown in FIG. 1.
 FIG. 3 is an end view of the holder part shown in FIGS. 1 and 2;
 FIG. 4 is a perspective view of a pump attachment part of a case for infusion equipment;
 FIG. 5 is a side view of the pump attachment part shown in FIG. 4.
 FIG. 6 is an end view of the pump attachment part shown in FIG. 4;
 FIG. 7 is a perspective view of an assembled case for infusion equipment;
 FIG. 8 shows a side view of the assembled case for infusion equipment shown in FIG. 7;
 FIG. 9 shows a first end view of the assembled case for infusion equipment shown in FIG. 7 and FIG. 8; and,
 FIG. 10 shows a second, opposite end view of the assembled case for infusion equipment shown in FIG. 7, FIG. 8, and FIG. 9.

The inventive ornamental subject matter disclosed herein includes case designs for holding together a vessel of liquid and a pump, which is programmed to dispense liquid from the vessel slowly according to one or more requirements. The broken line showing of a cannula line in FIGS. 7-8 is included for the purpose of illustrating only and forms no part of the claimed design.

1 Claim, 7 Drawing Sheets



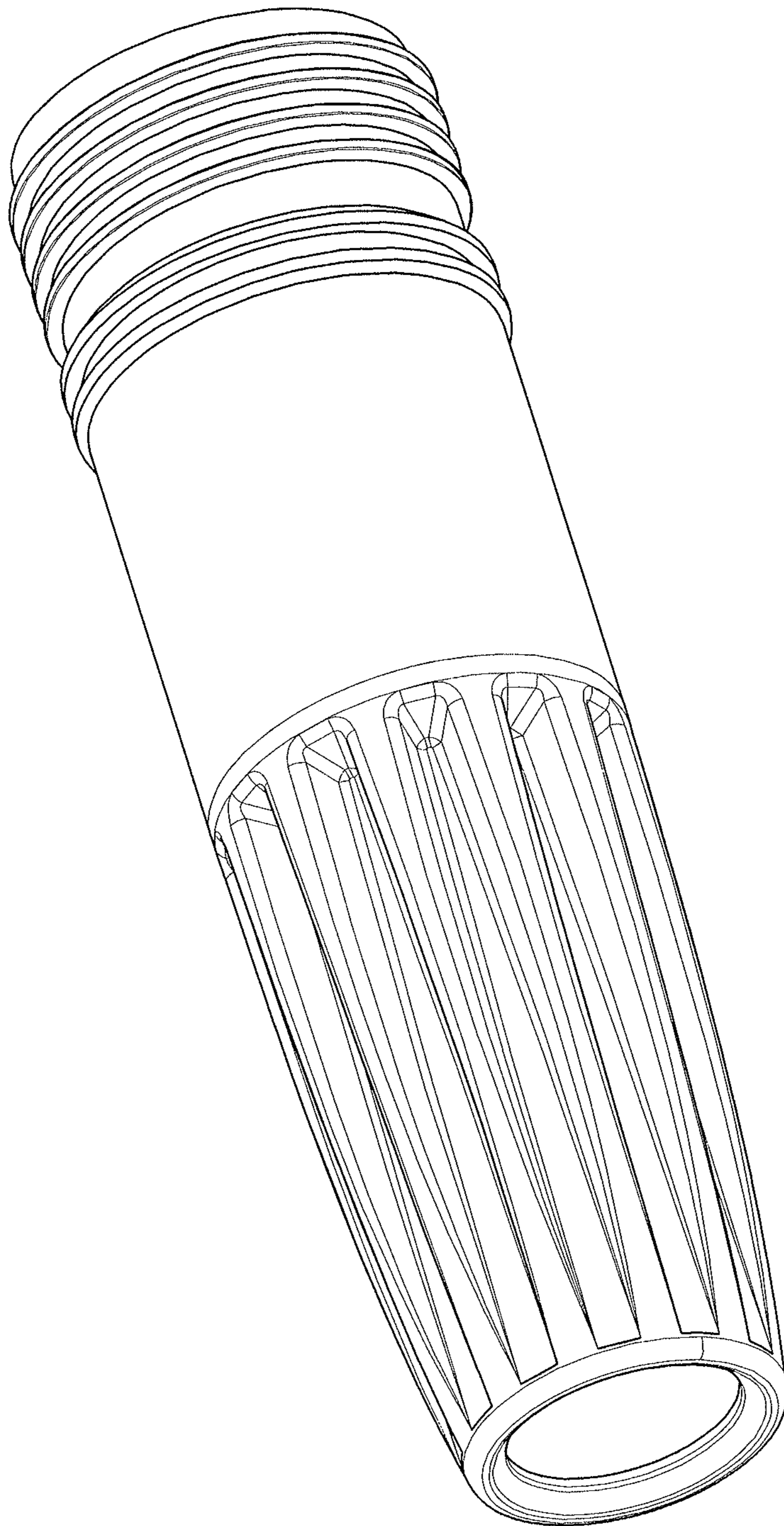


FIG. 1

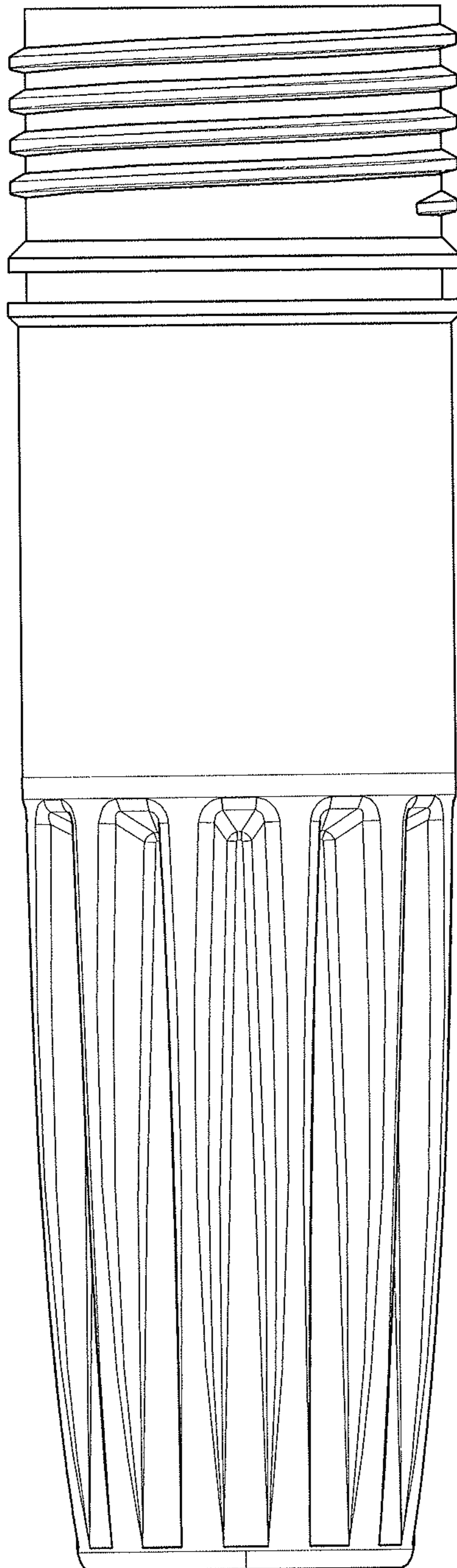


FIG. 2

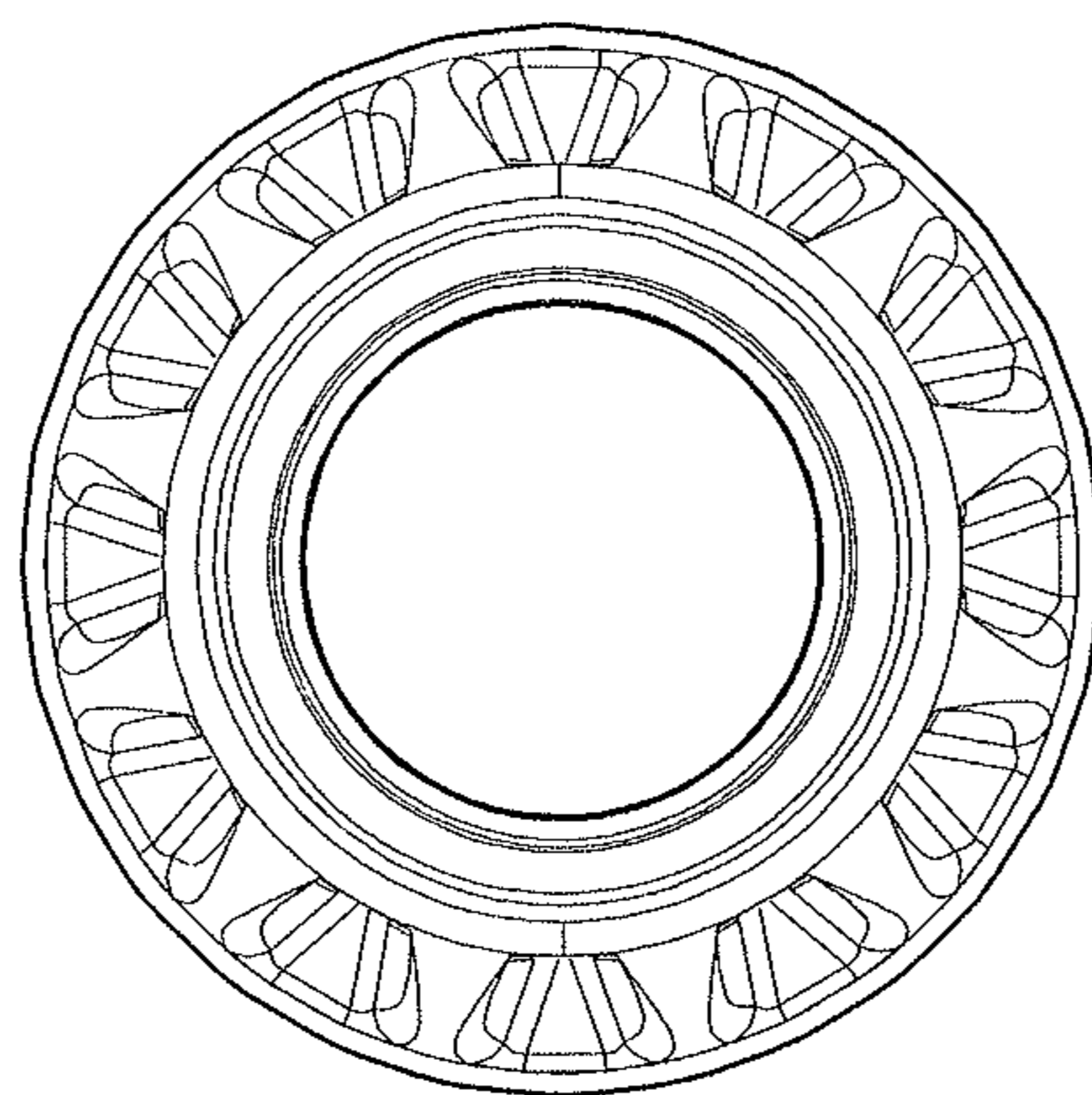


FIG. 3

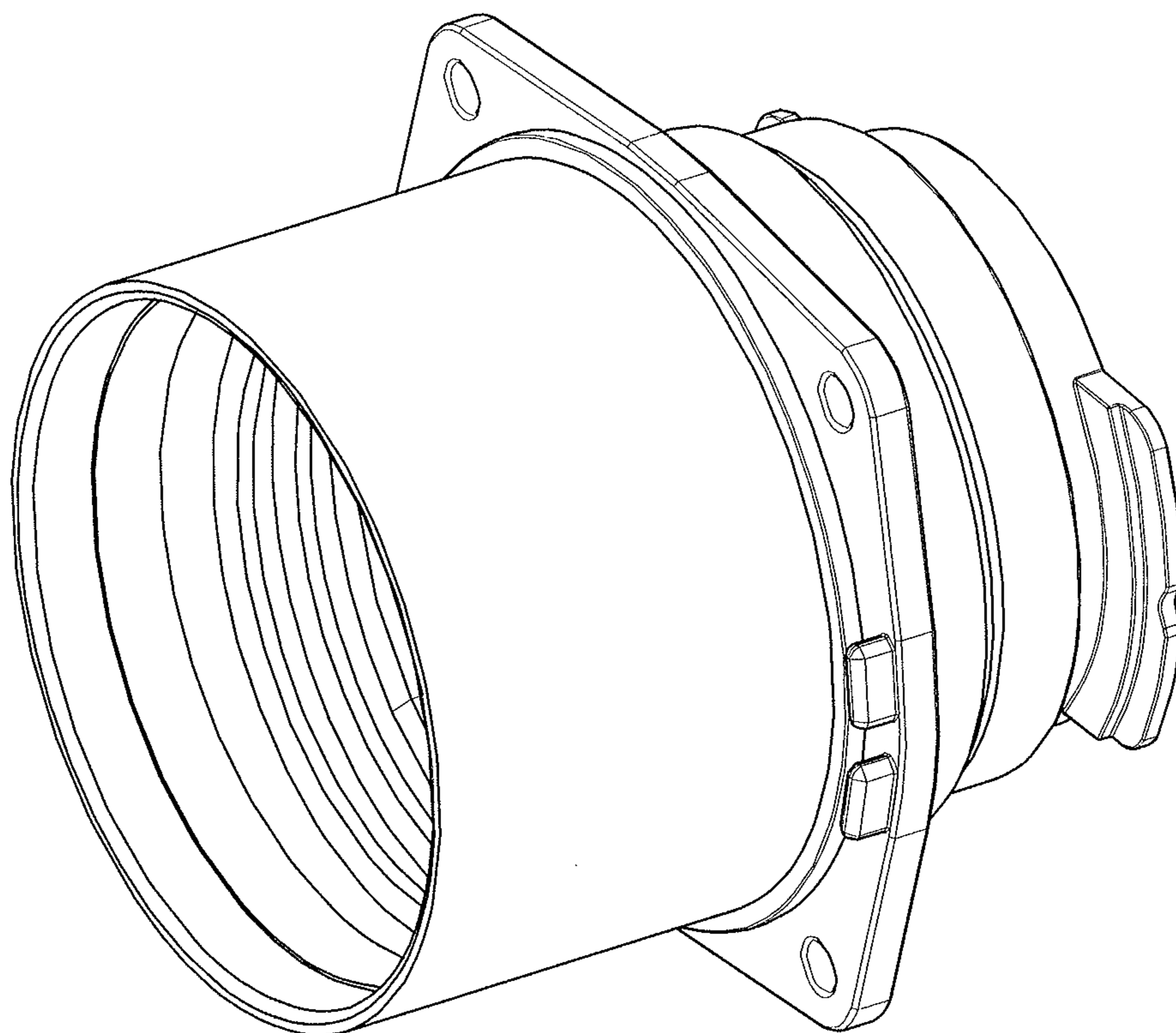


FIG. 4

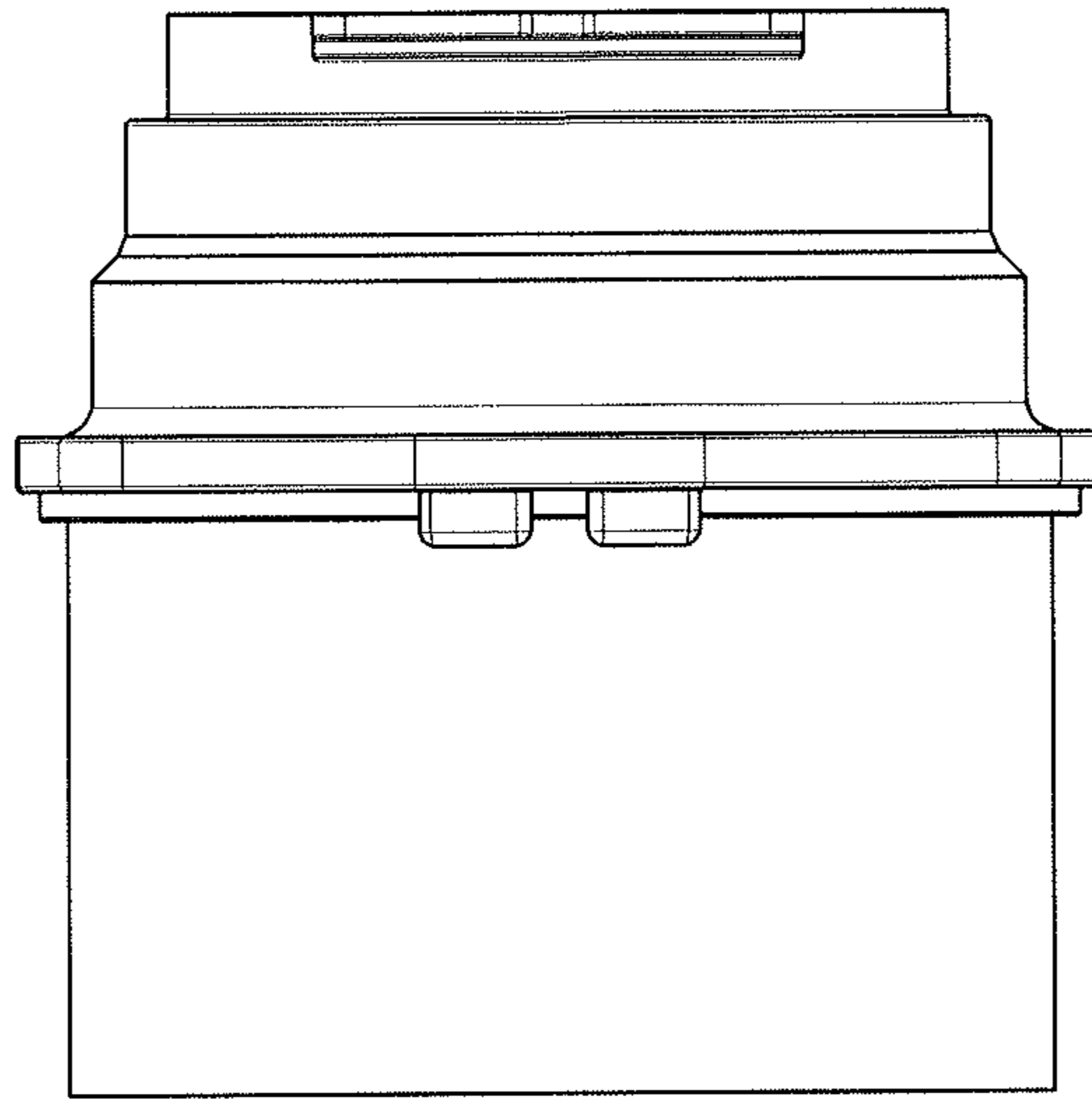


FIG. 5

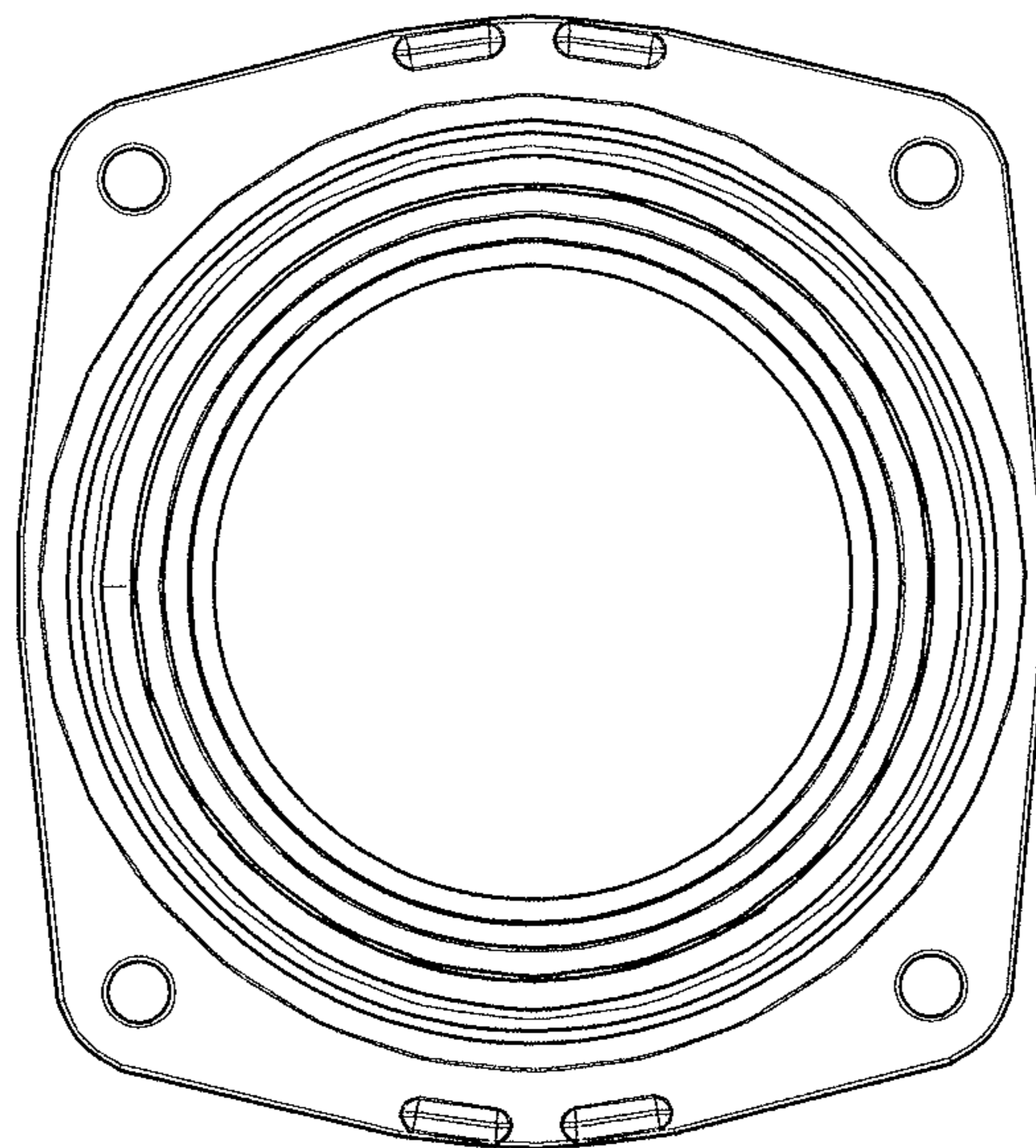


FIG. 6

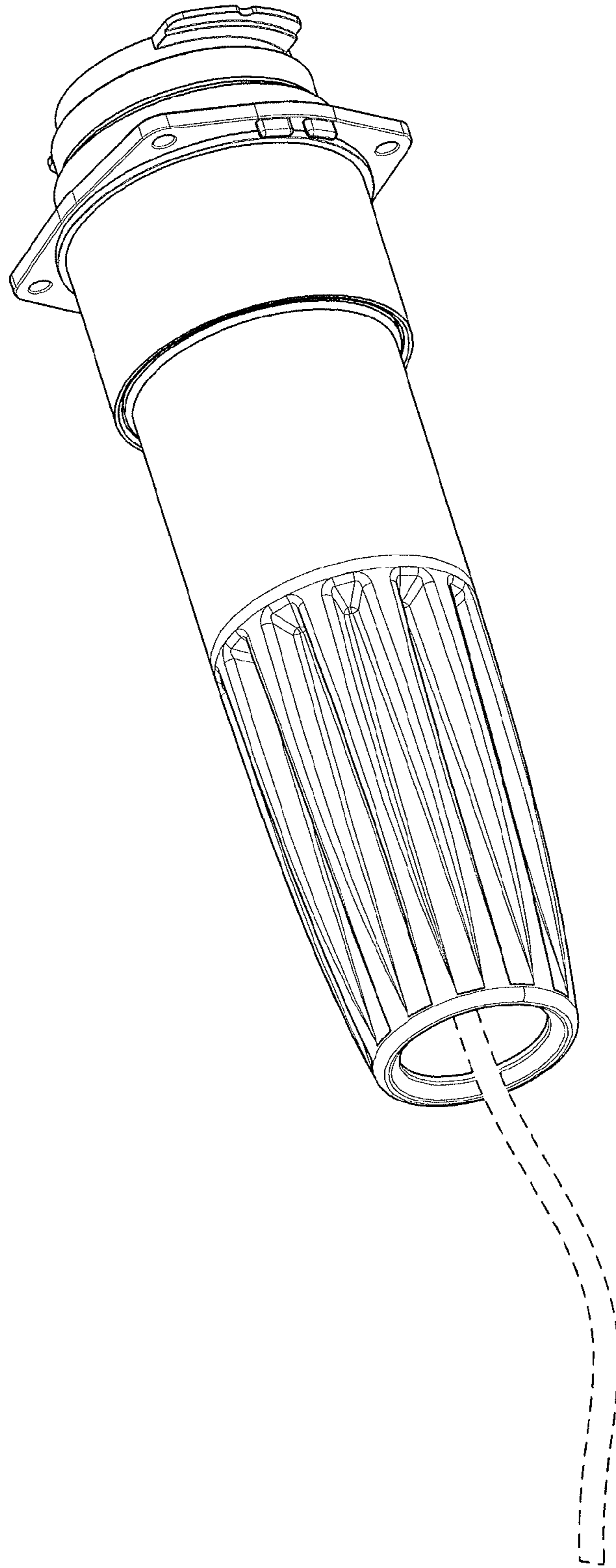


FIG. 7

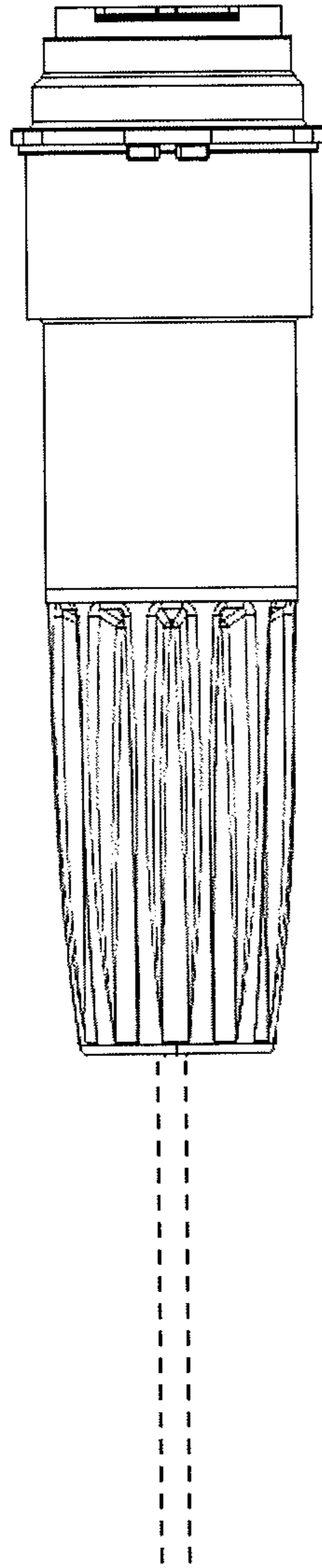


FIG. 8

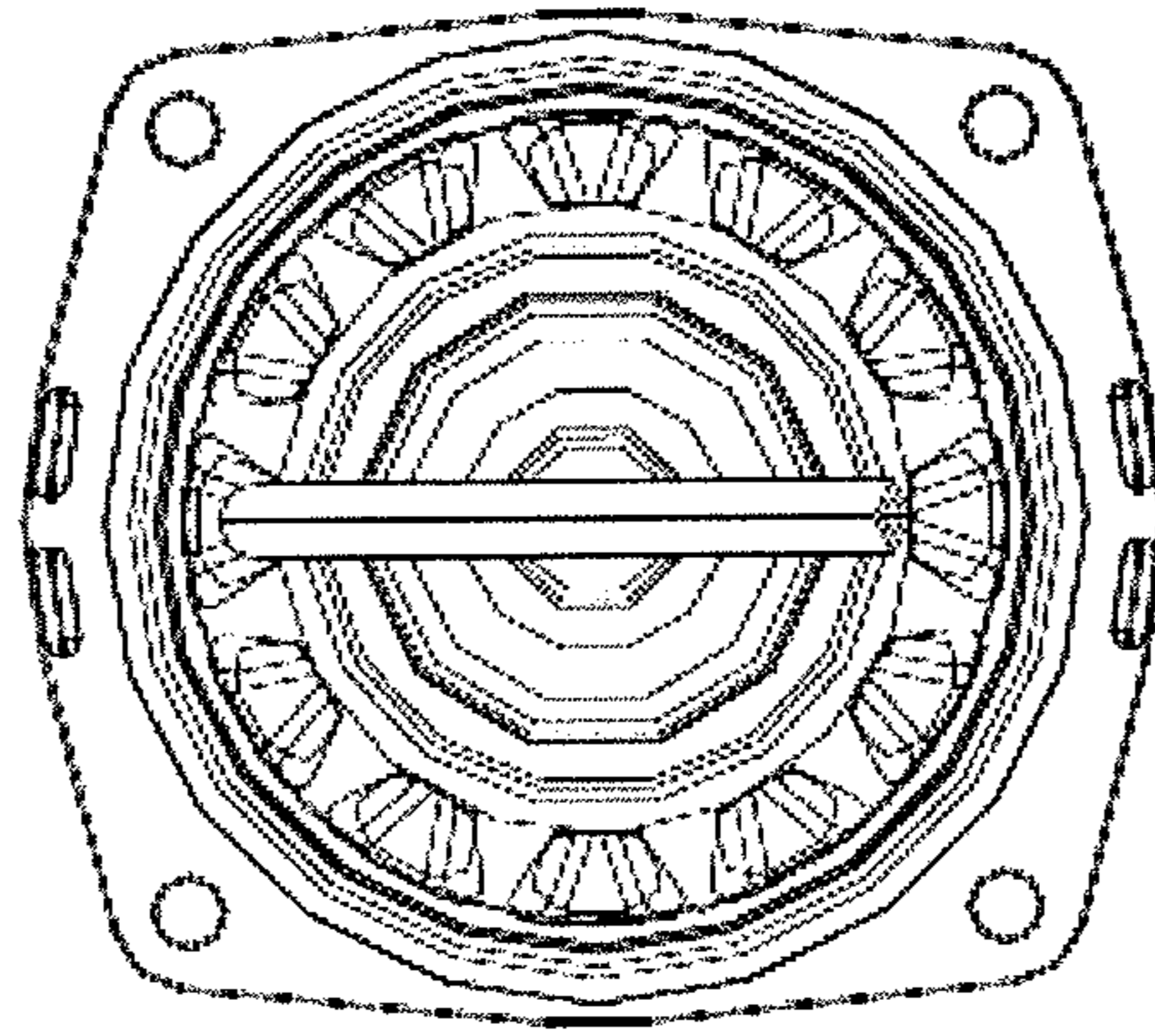


FIG. 9

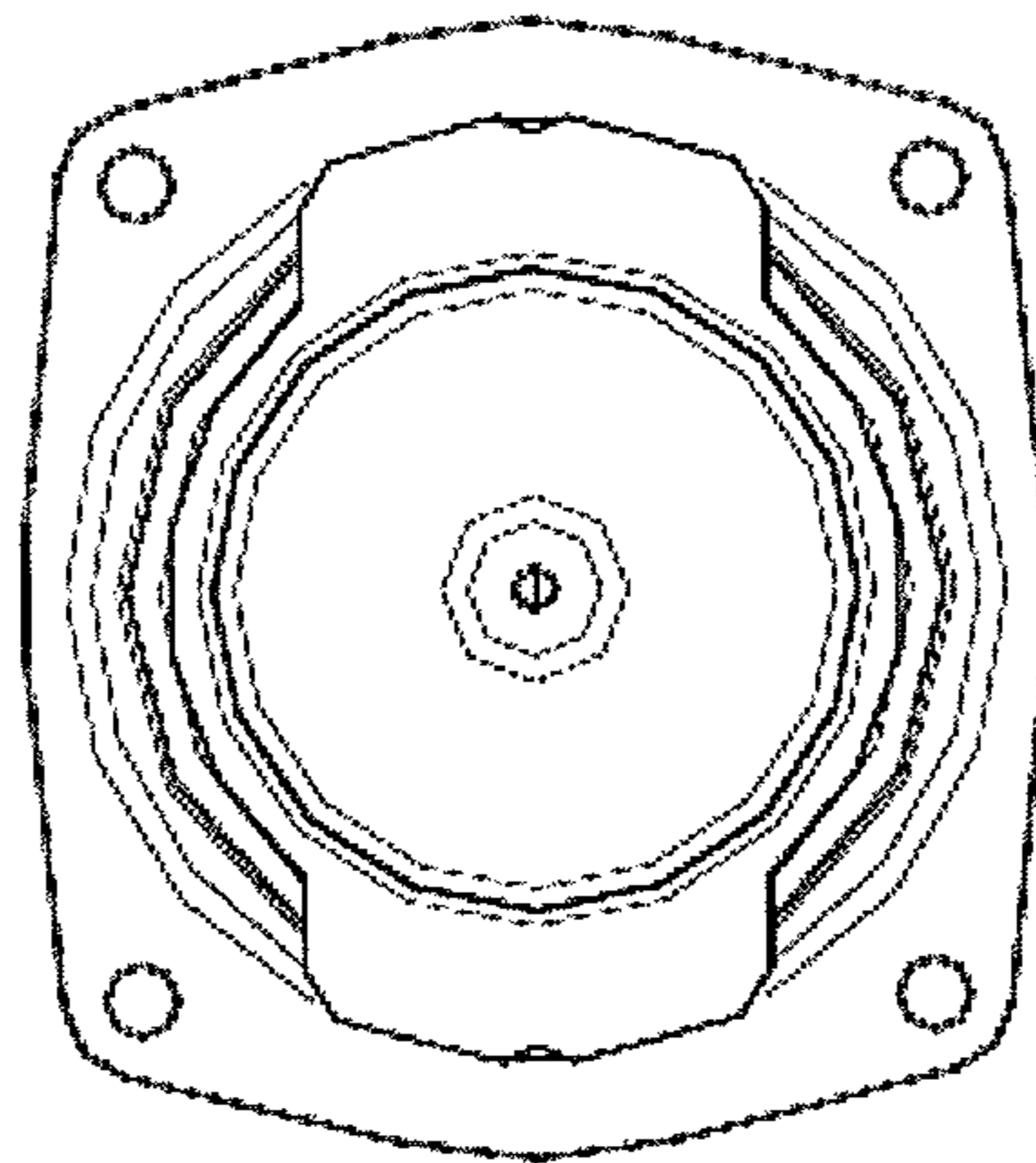


FIG. 10