



US00D704418S

(12) **United States Design Patent**
Holmes

(10) **Patent No.:** **US D704,418 S**

(45) **Date of Patent:** **** May 13, 2014**

(54) **JACKET**

(71) Applicant: **NIKE, Inc.**, Beaverton, OR (US)

(72) Inventor: **Charlie Holmes**, Portland, OR (US)

(73) Assignee: **NIKE, Inc.**, Beaverton, OR (US)

(**) Term: **14 Years**

(21) Appl. No.: **29/469,680**

(22) Filed: **Oct. 11, 2013**

(51) **LOC (10) Cl.** **02-02**

(52) **U.S. Cl.**
USPC **D2/839**

(58) **Field of Classification Search**

CPC A41D 1/02; A41D 1/04; A41D 3/00;
A41D 3/02; A41D 3/005
USPC D2/750, 751, 752, 755, 828, 830, 831,
D2/833, 834, 836, 839; 2/84, 90, 93, 94,
2/96, 108

See application file for complete search history.

(56) **References Cited**

U.S. PATENT DOCUMENTS

3,147,490	A *	9/1964	Allen et al.	2/84
D271,154	S *	11/1983	Dowling	D2/847
5,105,477	A *	4/1992	Golde	2/93
6,405,377	B1 *	6/2002	Davis	2/94
D531,783	S	11/2006	Collier	
D534,335	S	1/2007	Collier	
D553,330	S *	10/2007	Wager	D2/831
D588,783	S	3/2009	Olstorn	
D621,132	S	8/2010	Crisp	
D636,973	S	5/2011	Smith et al.	
D637,794	S	5/2011	Gosse	
D638,201	S	5/2011	Gosse	
8,001,618	B2	8/2011	Bay	
D654,664	S *	2/2012	Evans et al.	D2/839
D662,282	S *	6/2012	Meunier-Bouchard	D2/828

D679,072	S	4/2013	Abbevik et al.	
D685,158	S	7/2013	Lambertz	
D698,528	S *	2/2014	Roberts et al.	D2/839
2002/0142112	A1 *	10/2002	Tarrell	428/17
2003/0051286	A1	3/2003	Gregg	
2004/0055069	A1 *	3/2004	Clarke Fayle et al.	2/93
2006/0075537	A1	4/2006	Tsai	
2008/0184454	A1 *	8/2008	Collier	2/93

OTHER PUBLICATIONS

Logan Jacket. RAB. [Online] Publish date unknown but prior to filing the present application. [retrieved from the Internet on Dec. 31, 2013] Retrieved from Internet <URL:http://us.rab.uk.com/products/mens-clothing/fleece/logan-jacket.html>.

(Continued)

Primary Examiner — Rashida Johnson

(74) *Attorney, Agent, or Firm* — Banner & Witcoff, Ltd

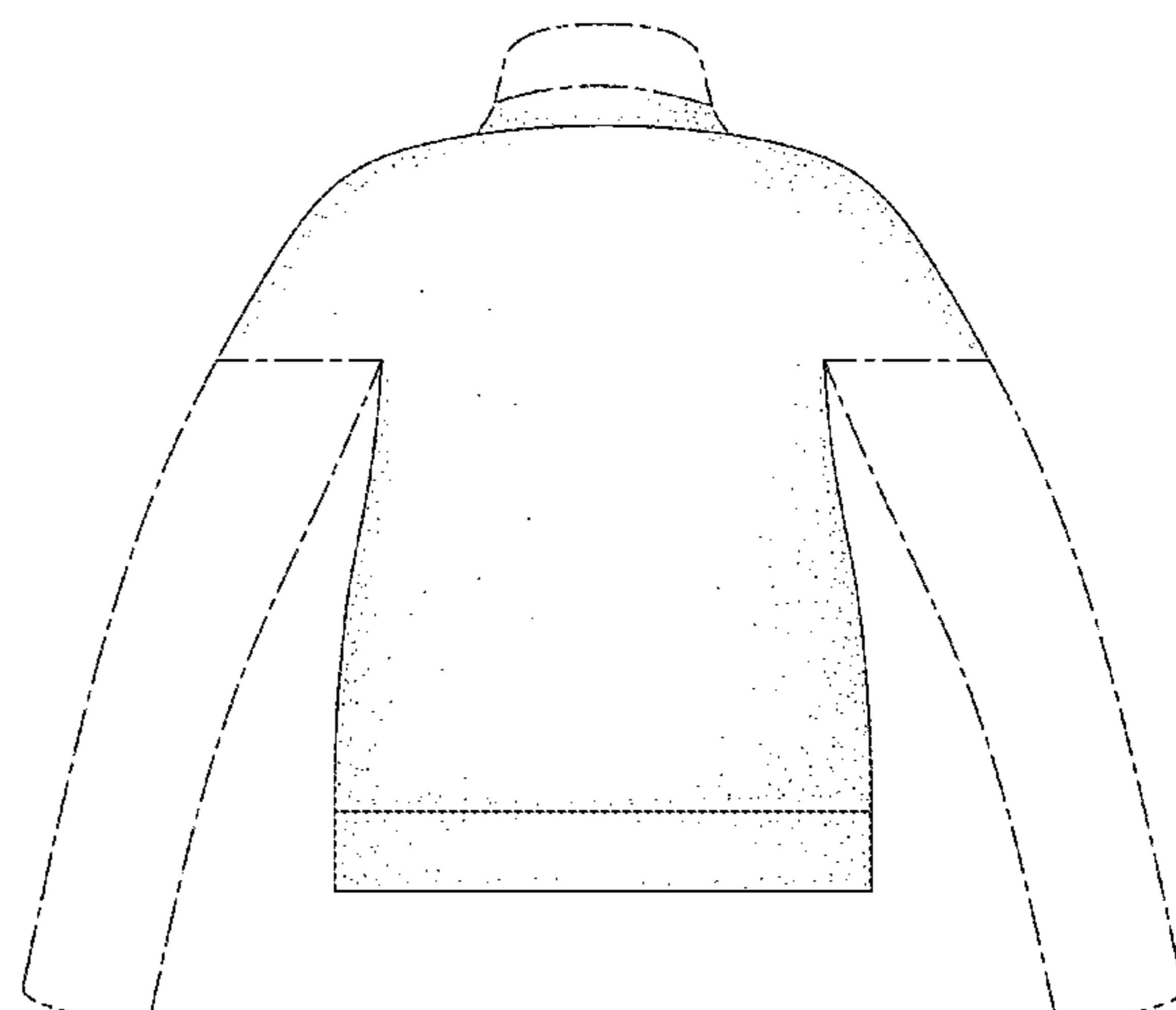
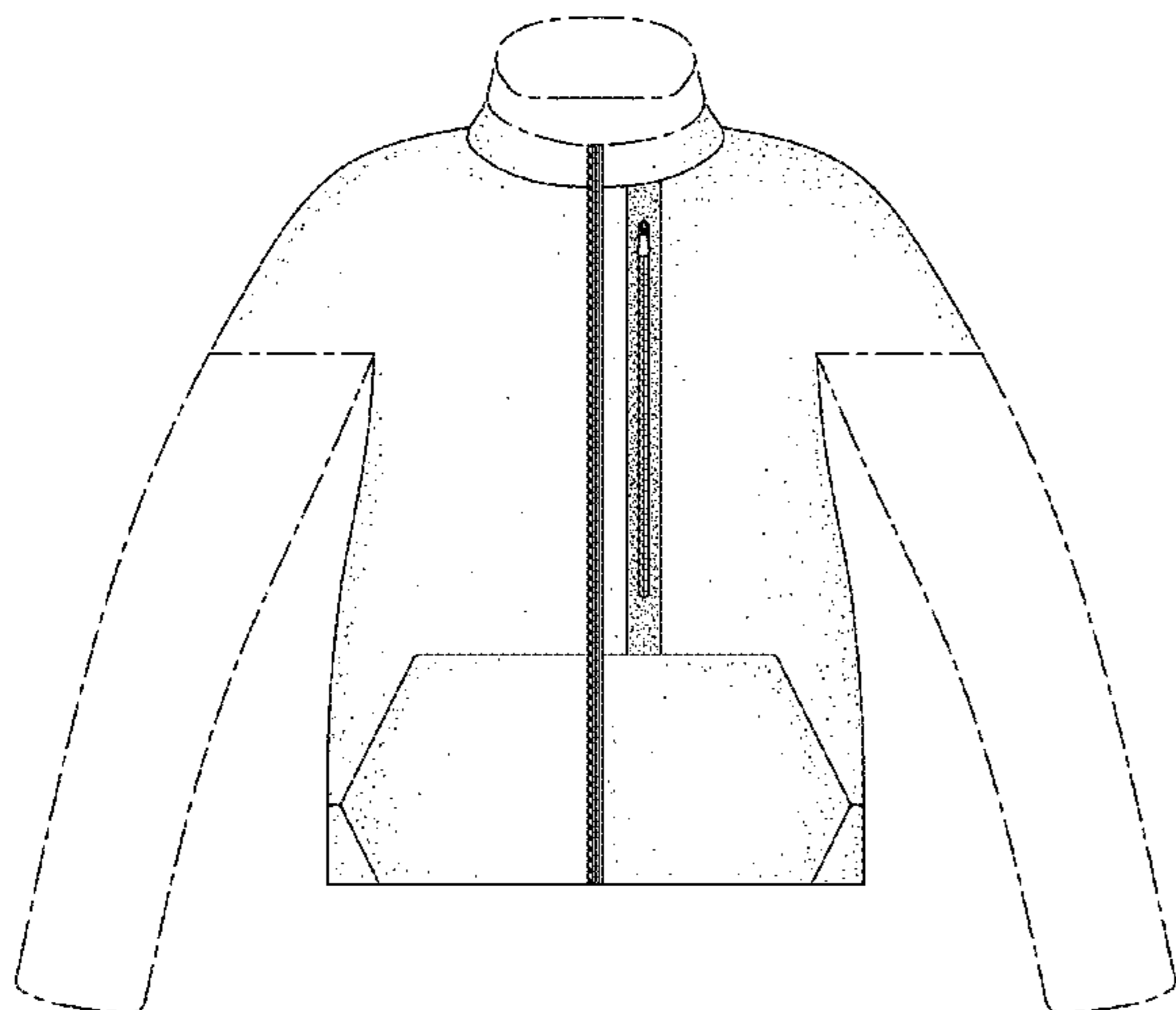
(57) **CLAIM**

The ornamental design for a jacket, as shown and described.

DESCRIPTION

FIG. 1 is a perspective view of a jacket showing my new design in an in-use configuration;
FIG. 2 is a front view thereof;
FIG. 3 is a rear view thereof;
FIG. 4 is a left side view thereof;
FIG. 5 is a right side view thereof; and,
FIG. 6 is a top view thereof.
The broken lines immediately adjacent to the shaded area represent unclaimed boundaries of the design. The contrast in shading represents a contrast in appearance only and does not represent any particular color, material, texture or finish. The broken lines showing the remainder of the jacket are for environmental purposes only and form no part of the claimed design.

1 Claim, 5 Drawing Sheets



(56)

References Cited

OTHER PUBLICATIONS

Nike ACG Stumptown Jacket by NIKE, Inc. Published by NIKE, Inc., Redmond, WA, USA, Publication date unknown but prior to the filing date of the present application. One color sheet of photographs.
Nike ACG Clima Tallac Jacket by NIKE, Inc. Published by NIKE,

Inc., Redmond, WA, USA, Publication date unknown but prior to the filing date of the present application. One color sheet of photographs.
NIKE ACG Men's Storm Fit 3-in-1 Jacket by NIKE, Inc., Published by NIKE, Inc., Redmond, WA, USA, Publication date unknown but prior to the filing date of the present application. One color sheet of photographs.

* cited by examiner

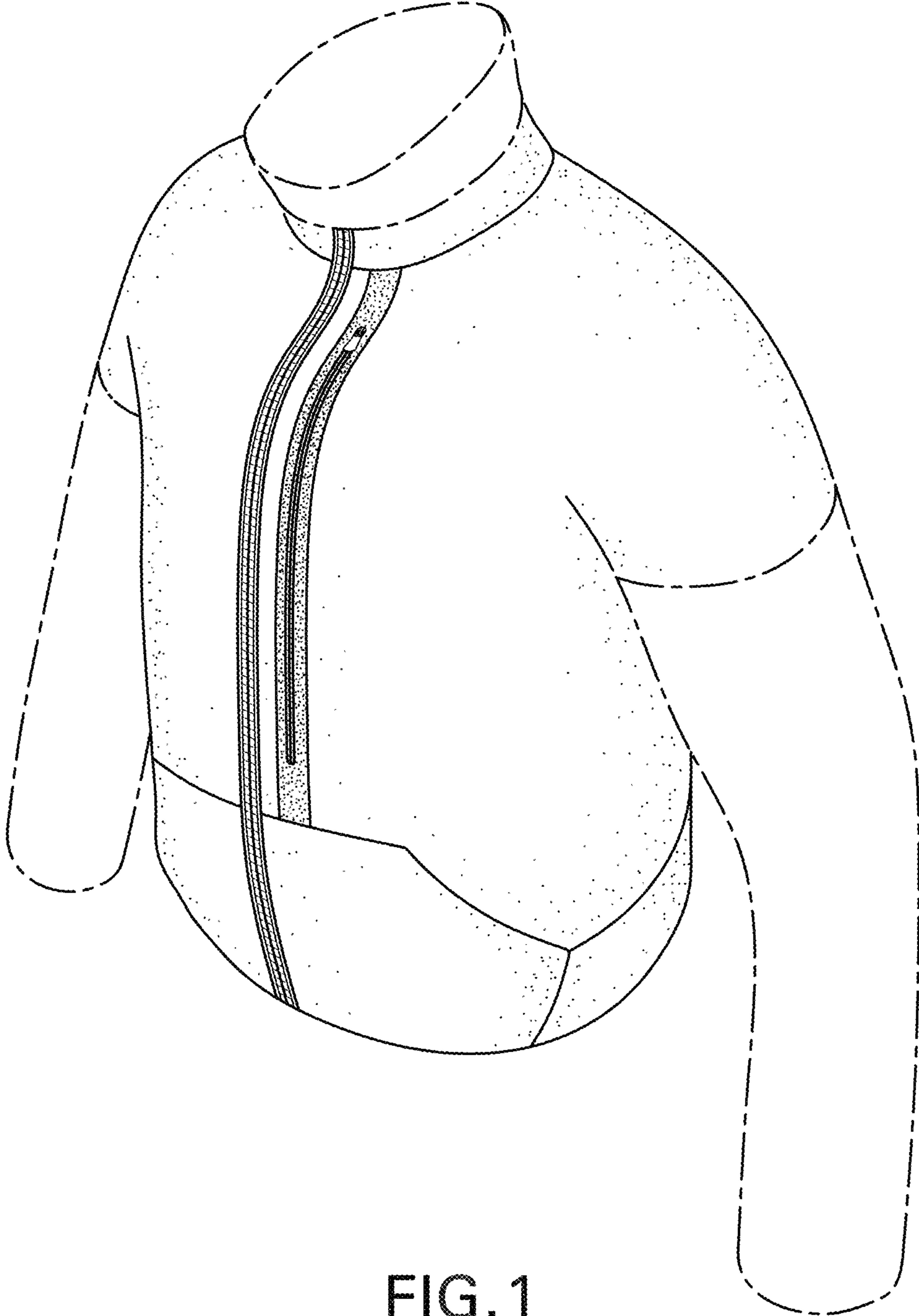


FIG. 1

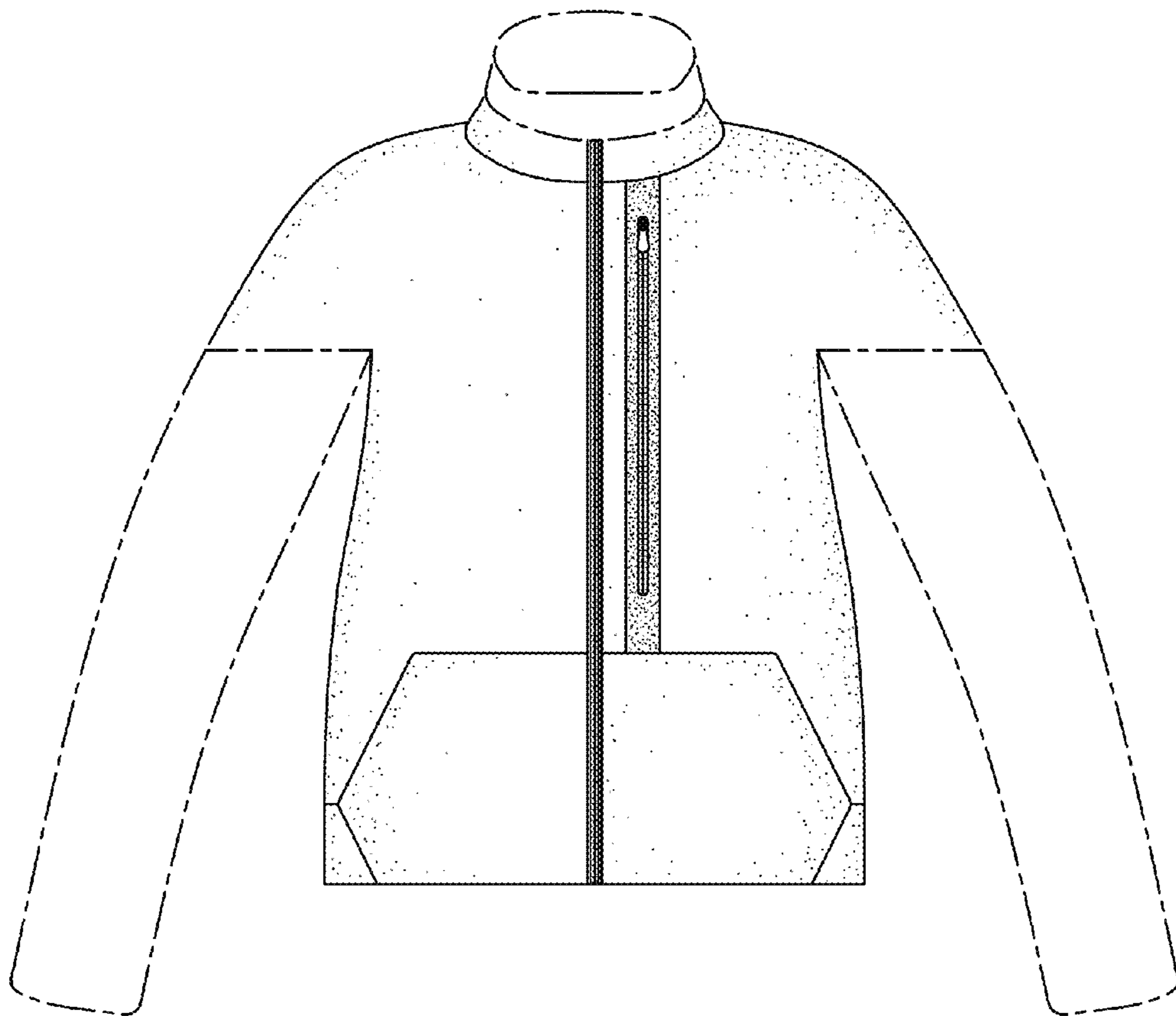


FIG. 2

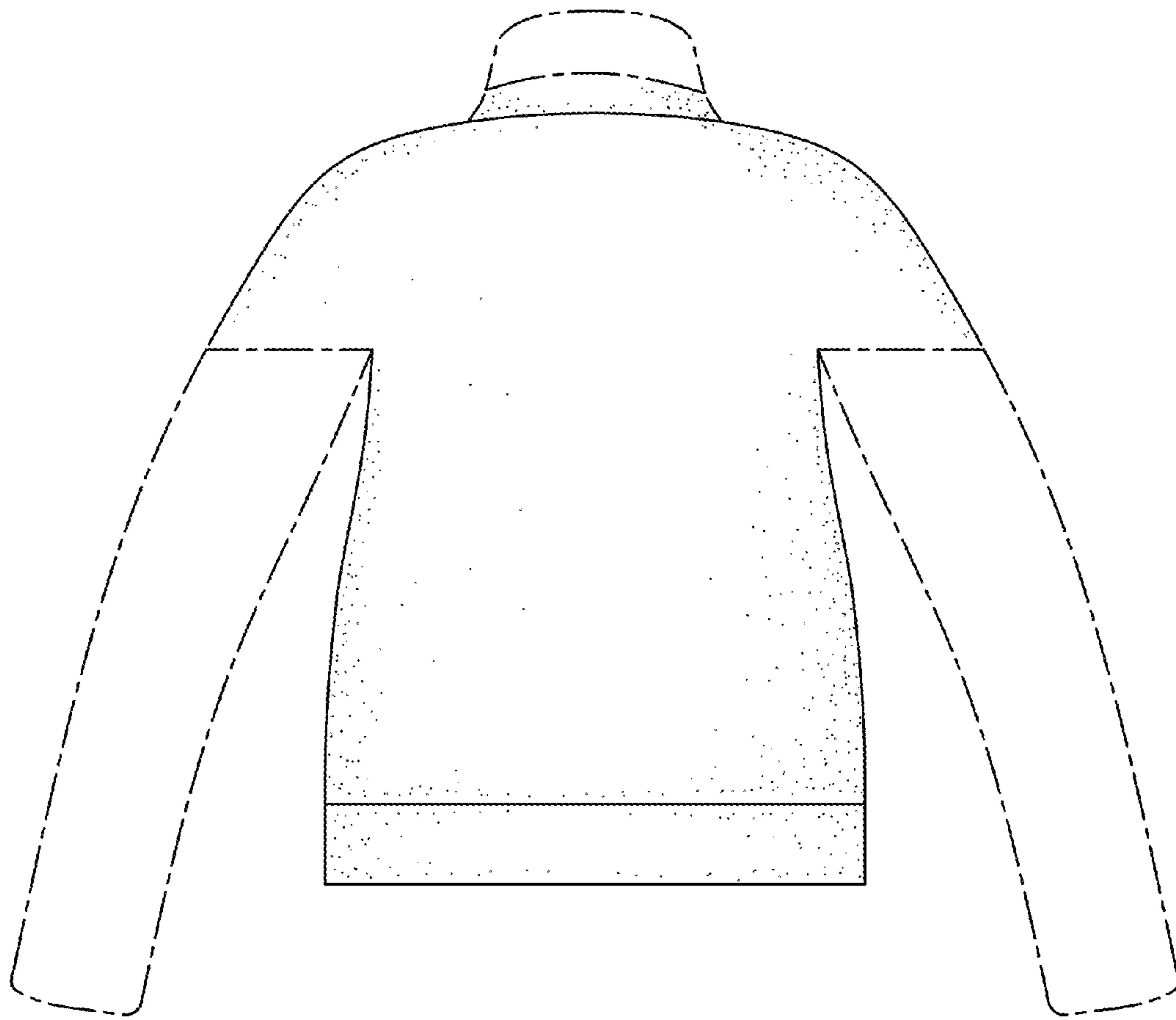


FIG. 3

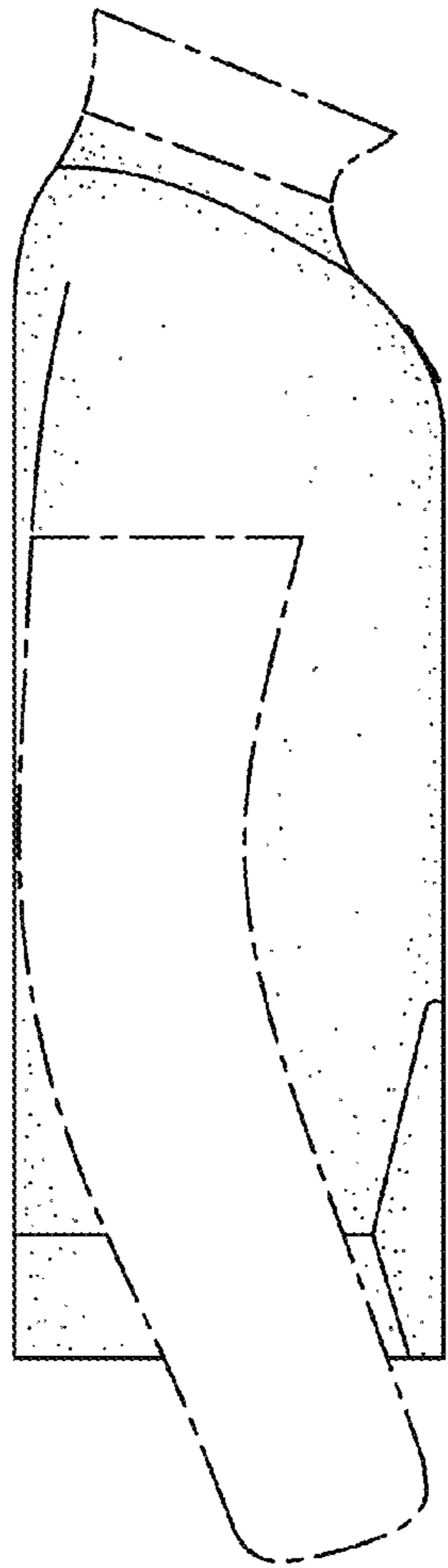


FIG. 4

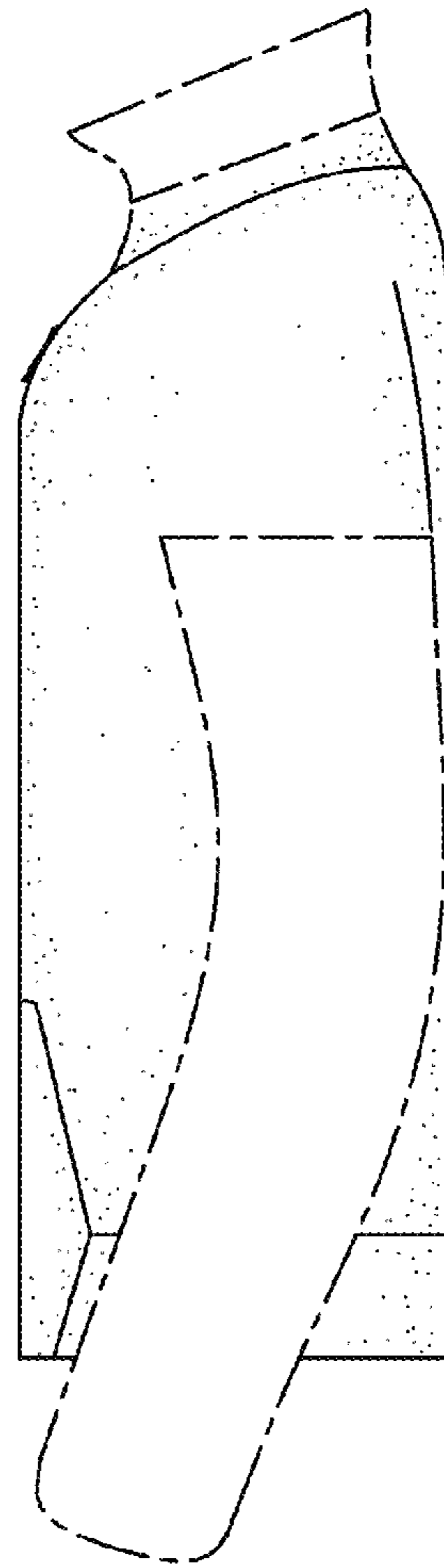


FIG. 5

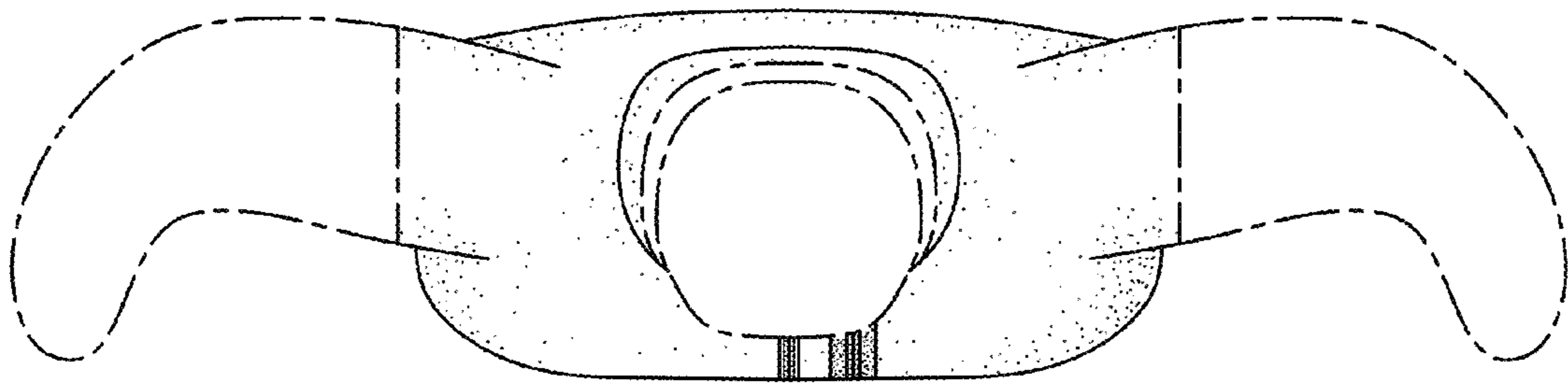


FIG. 6