



US00D704413S

(12) **United States Design Patent**
Ishikawa et al.

(10) **Patent No.:** **US D704,413 S**

(45) **Date of Patent:** **** May 6, 2014**

(54) **CHAIN HOIST**

(56) **References Cited**

(71) Applicant: **Kito Corporation**, Yamanashi (JP)

U.S. PATENT DOCUMENTS

(72) Inventors: **Kazumitsu Ishikawa**, Yamanashi (JP);
Hiroki Sano, Yamanashi (JP); **Kosuke**
Kosuga, Yamanashi (JP); **Shigeo Terai**,
Yamanashi (JP)

D313,299	S	*	12/1990	Tupper	D34/33
D438,358	S	*	2/2001	Huang	D34/33
6,588,731	B2	*	7/2003	Nakamura et al.	254/352
D523,208	S	*	6/2006	Inglis	D34/33
D524,508	S	*	7/2006	Lichtenvort	D34/33
D534,704	S	*	1/2007	Myers et al.	D34/33
7,441,748	B2	*	10/2008	Sakai et al.	254/358
D596,369	S	*	7/2009	Walstrom et al.	D34/33
D655,883	S	*	3/2012	Hiroshima	D34/33
D674,163	S	*	1/2013	Tarkiainen et al.	D34/33
D677,853	S	*	3/2013	Gans et al.	D34/33
D679,474	S	*	4/2013	Beaussart et al.	D34/33

(73) Assignee: **Kito Corporation** (JP)

(**) Term: **14 Years**

* cited by examiner

(21) Appl. No.: **29/445,170**

Primary Examiner — Cynthia Ramirez

(22) Filed: **Feb. 8, 2013**

(74) *Attorney, Agent, or Firm* — Cantor Colburn LLP

(30) **Foreign Application Priority Data**

(57) **CLAIM**

Aug. 9, 2012 (JP) 2012-019243

The ornamental design for a chain hoist, as shown and described.

(51) **LOC (10) Cl.** **12-05**

DESCRIPTION

(52) **U.S. Cl.**
USPC **D34/33**

FIG. 1 is a perspective view of a chain hoist;
FIG. 2 is an front planar view of the chain hoist;
FIG. 3 is a left planar view of the chain hoist;
FIG. 4 is a right planar view of the chain hoist;
FIG. 5 is a top planar of the chain hoist; and,
FIG. 6 is a bottom planar of the chain hoist.

(58) **Field of Classification Search**
USPC D34/28, 33; 242/385; 254/264, 266,
254/386, 374, 356

See application file for complete search history.

1 Claim, 6 Drawing Sheets

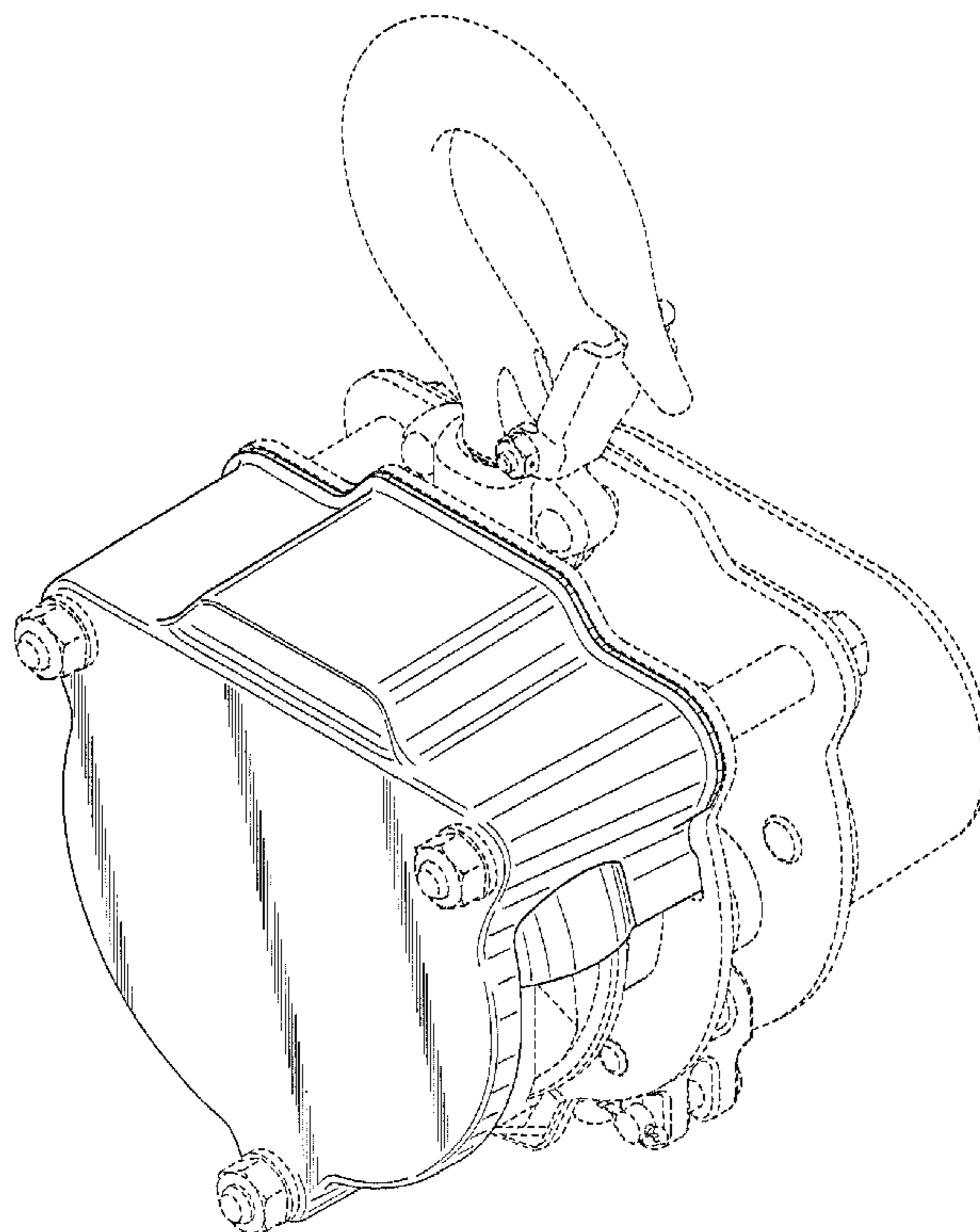


FIG. 1

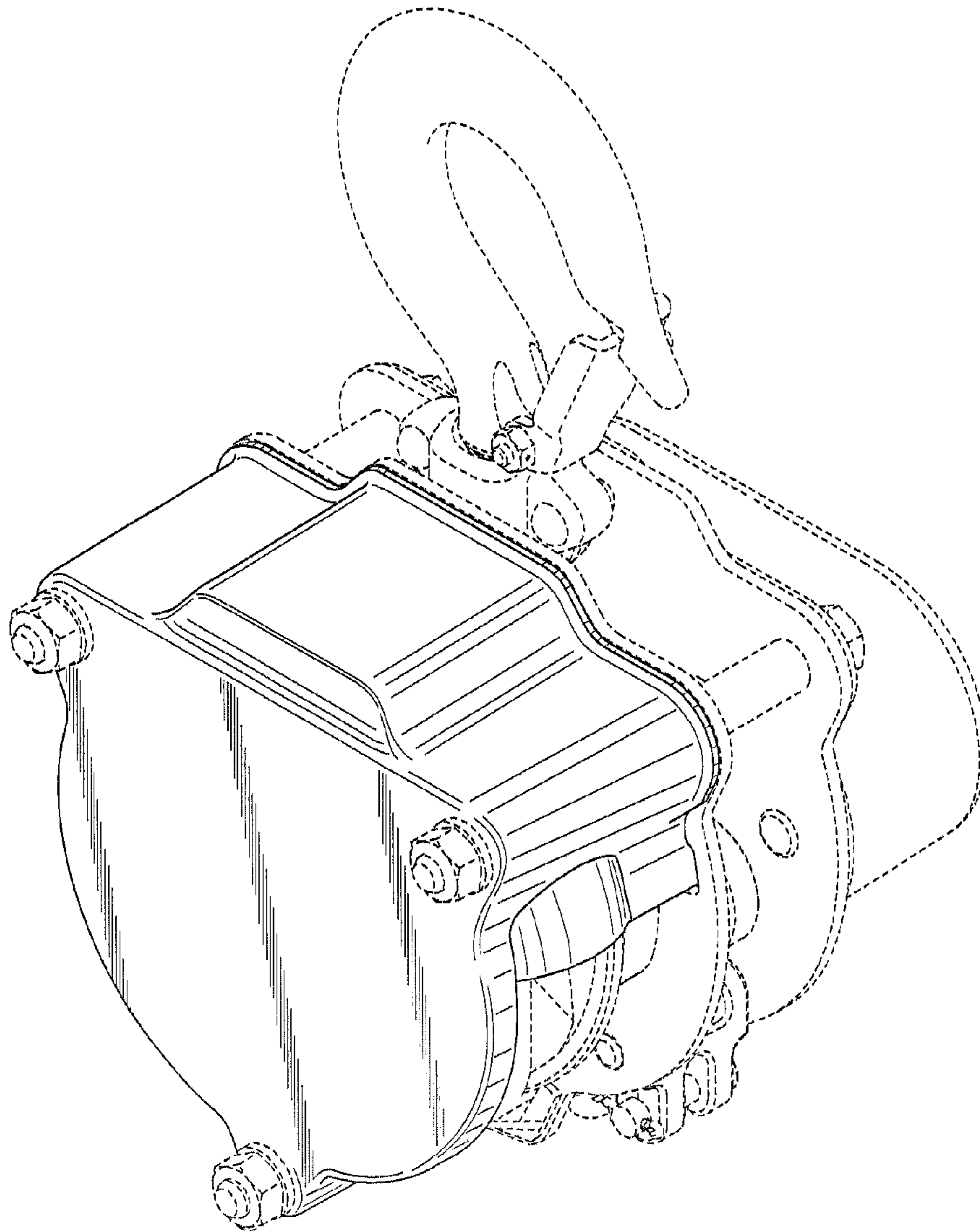


FIG. 2

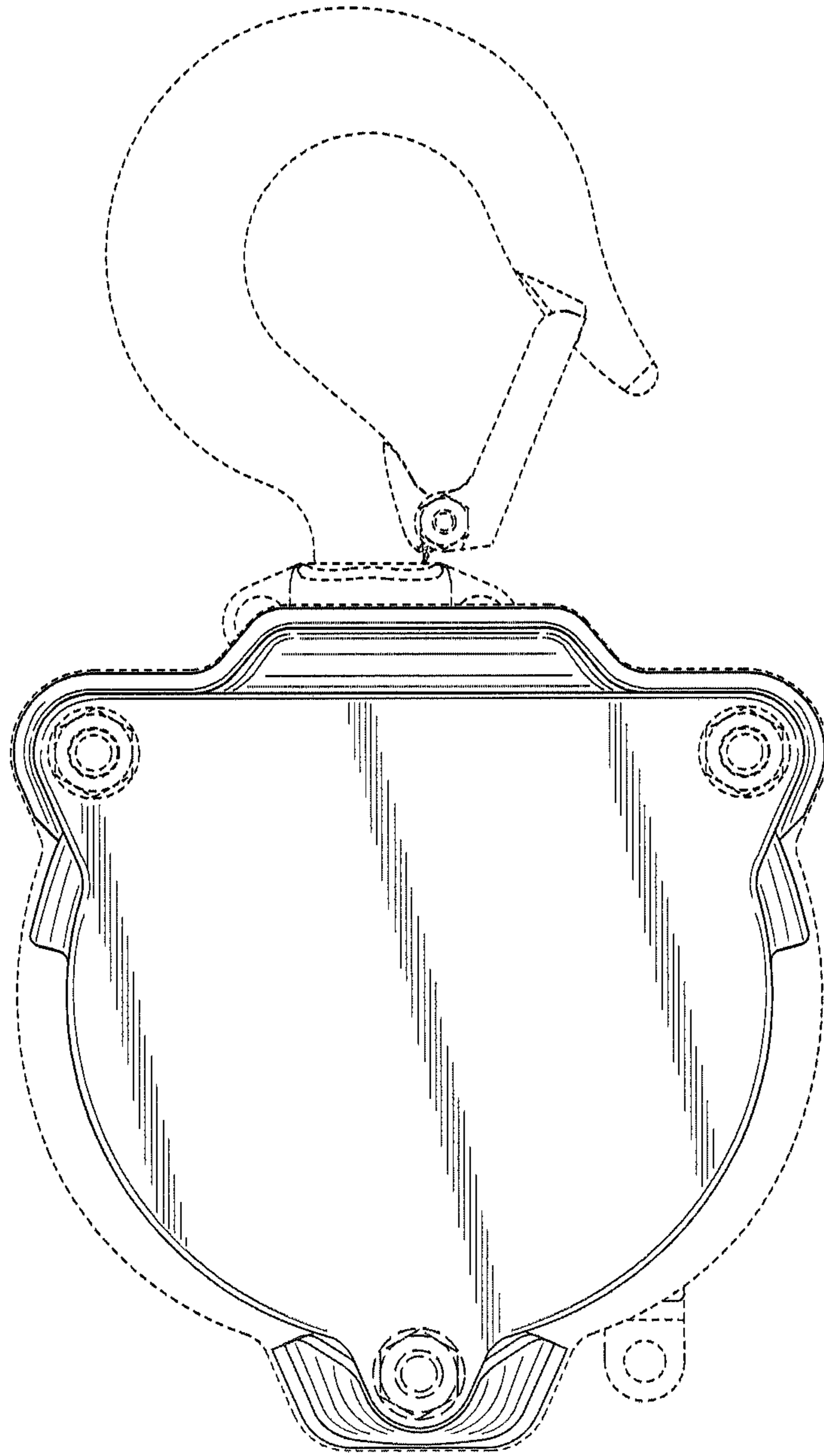


FIG. 3

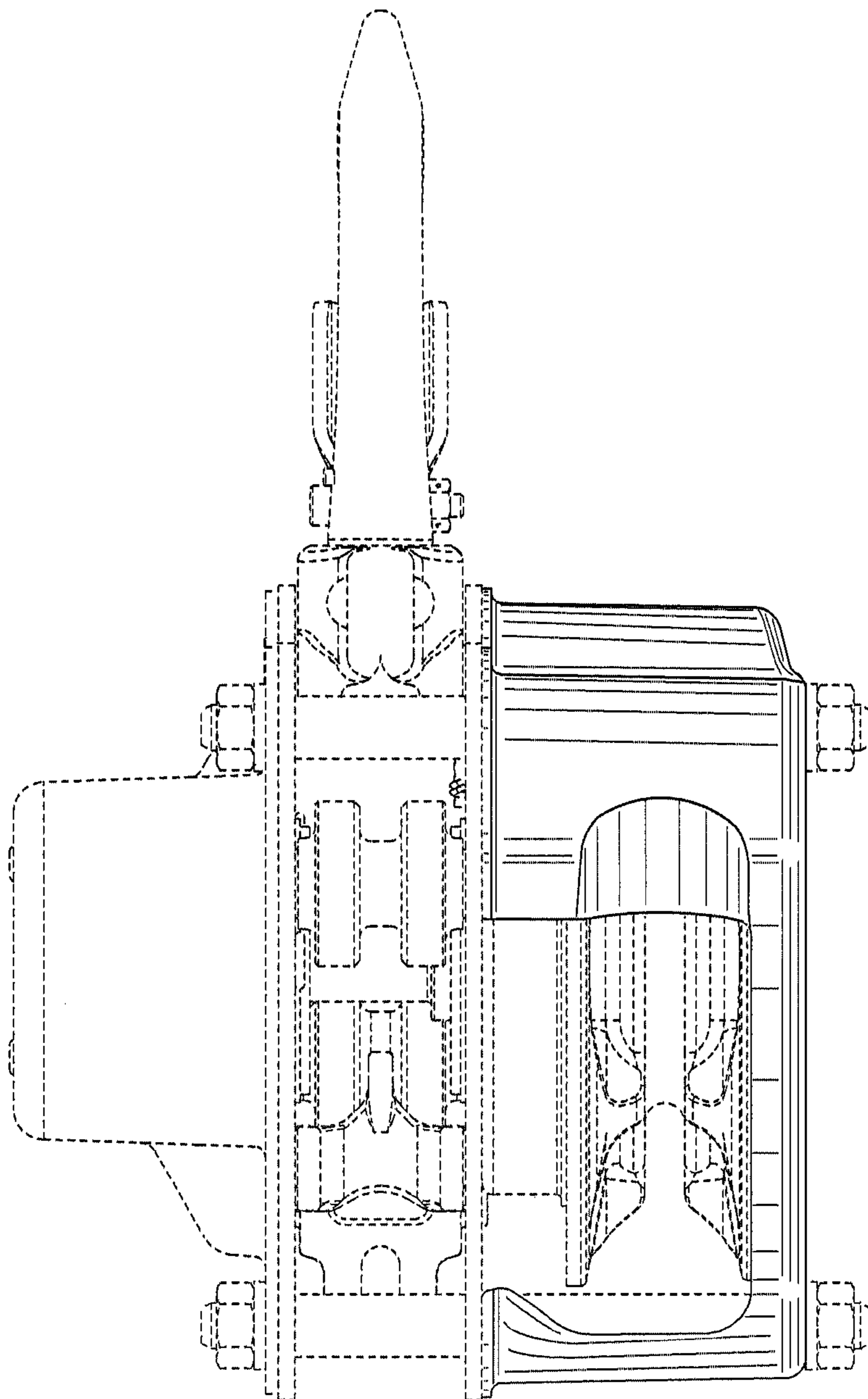


FIG. 4

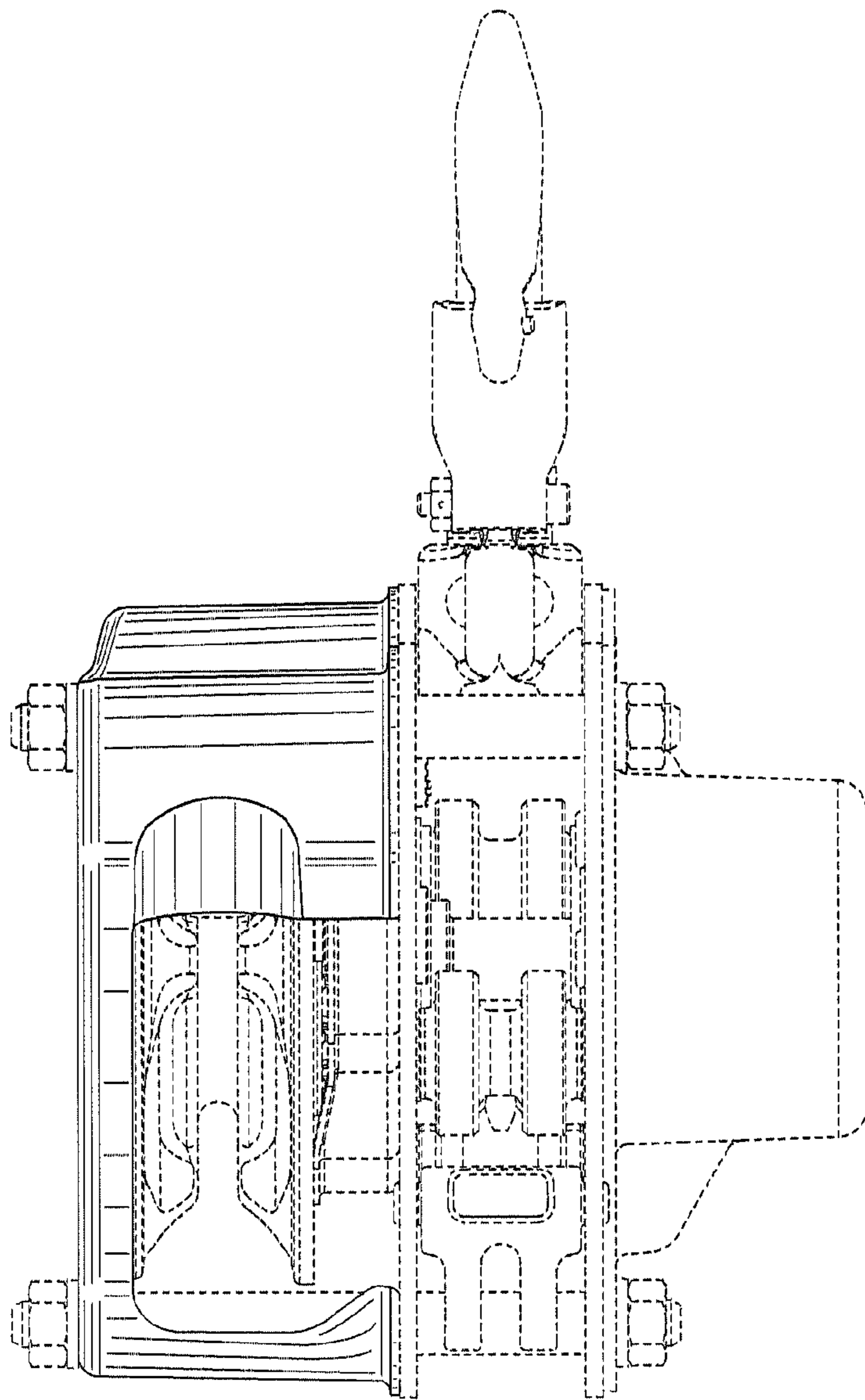


FIG. 5

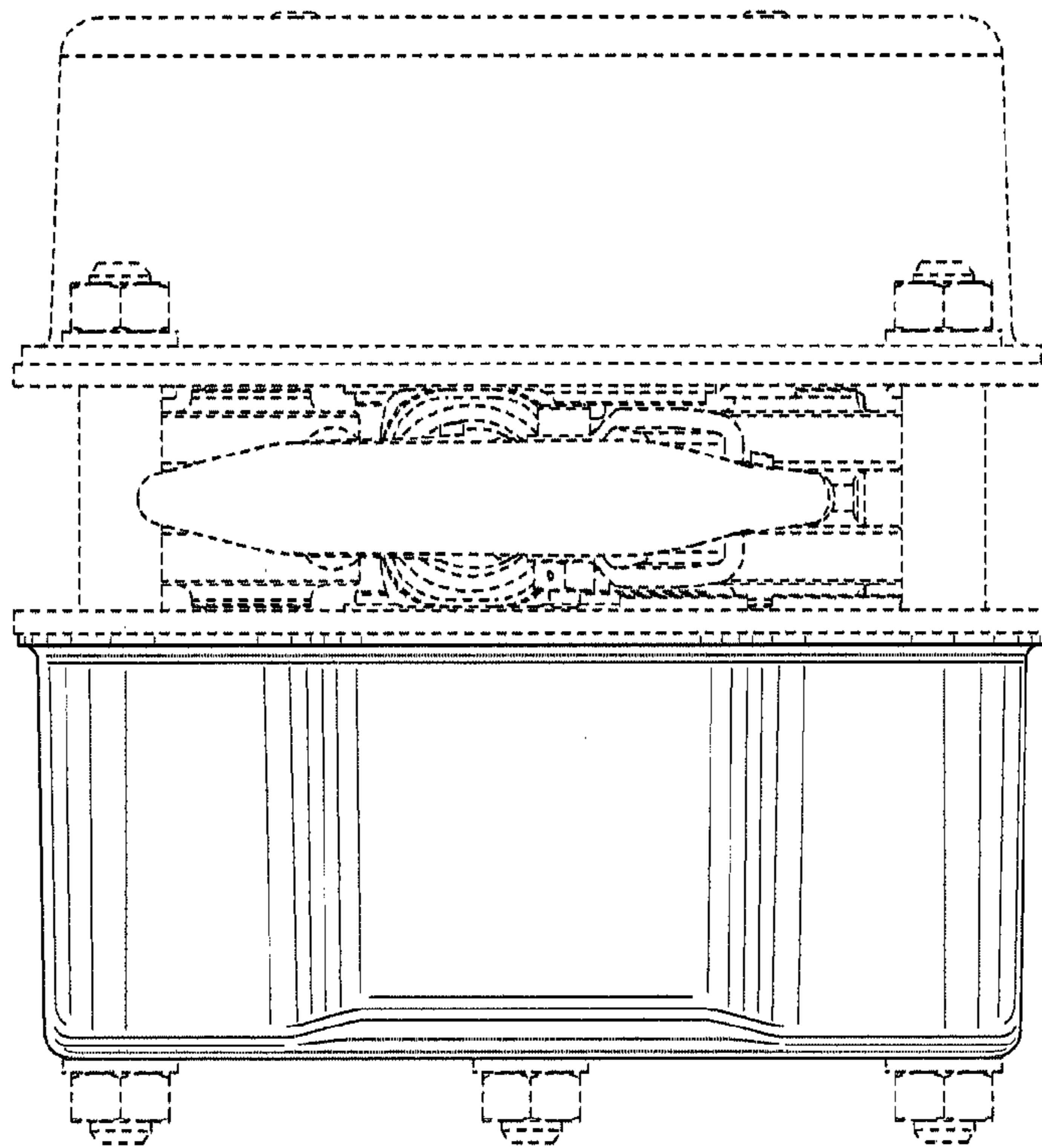


FIG. 6

