



US00D704410S

(12) **United States Design Patent**  
**Reimers et al.**

(10) **Patent No.:** **US D704,410 S**  
(45) **Date of Patent:** **\*\* May 6, 2014**

(54) **FOLDED COMBINATION GOLF BAG AND CART**

(71) Applicants: **Eric W. Reimers**, Missoula, MT (US);  
**Michael J. Deden**, Missoula, MT (US)

(72) Inventors: **Eric W. Reimers**, Missoula, MT (US);  
**Michael J. Deden**, Missoula, MT (US)

(73) Assignee: **Sun Mountain Sports, Inc.**, Missoula, MT (US)

(\*\*) Term: **14 Years**

(21) Appl. No.: **29/447,872**

(22) Filed: **Mar. 7, 2013**

(51) **LOC (10) Cl.** ..... **12-13**

(52) **U.S. Cl.**  
USPC ..... **D34/15**

(58) **Field of Classification Search**  
USPC ..... D34/12-27; 280/DIG. 5, DIG. 6;  
180/19.3, 19.1, 215, 216, 907

See application file for complete search history.

(56) **References Cited**

U.S. PATENT DOCUMENTS

5,267,750	A *	12/1993	Thompson	.....	280/646
6,979,019	B2 *	12/2005	Chen	.....	280/652
D596,365	S *	7/2009	Reimers et al.	.....	D34/15
7,934,729	B2 *	5/2011	Murphy et al.	.....	280/47.26
D695,484	S *	12/2013	Powell	.....	D34/15
2003/0146602	A1 *	8/2003	Lu	.....	280/655

\* cited by examiner

*Primary Examiner* — Cynthia Ramirez

(74) *Attorney, Agent, or Firm* — Michael J. Hughes

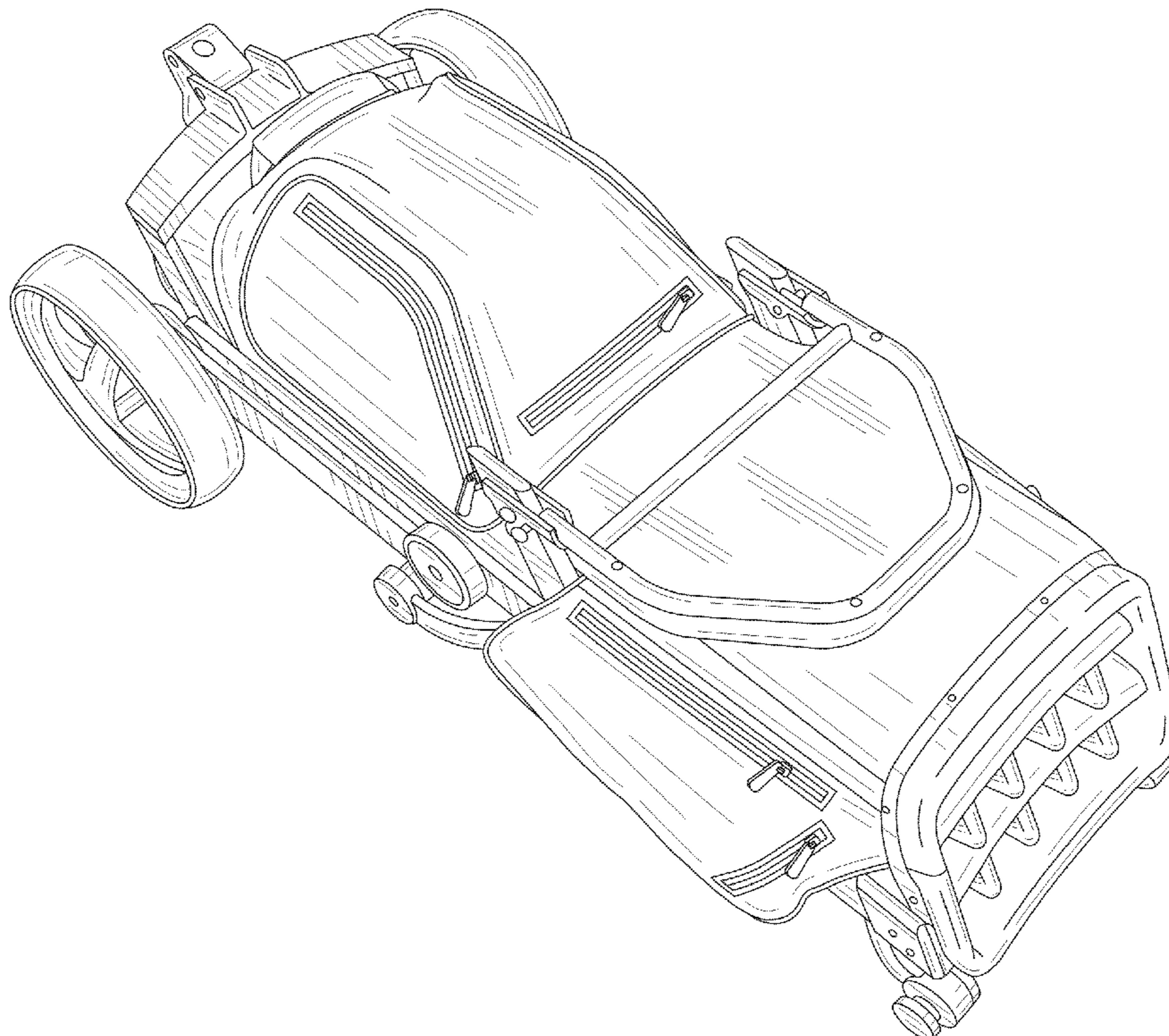
(57) **CLAIM**

The ornamental design for a folded combination golf bag and cart, as shown and described.

**DESCRIPTION**

FIG. 1 is a front top perspective of the folded combination golf bag and cart of the present invention;  
FIG. 2 is a top view thereof;  
FIG. 3 is a bottom plan view thereof;  
FIG. 4 is a right side elevation view thereof;  
FIG. 5 is a left side elevation view thereof;  
FIG. 6 is a front view thereof; and,  
FIG. 7 is a rear view thereof.

**1 Claim, 5 Drawing Sheets**



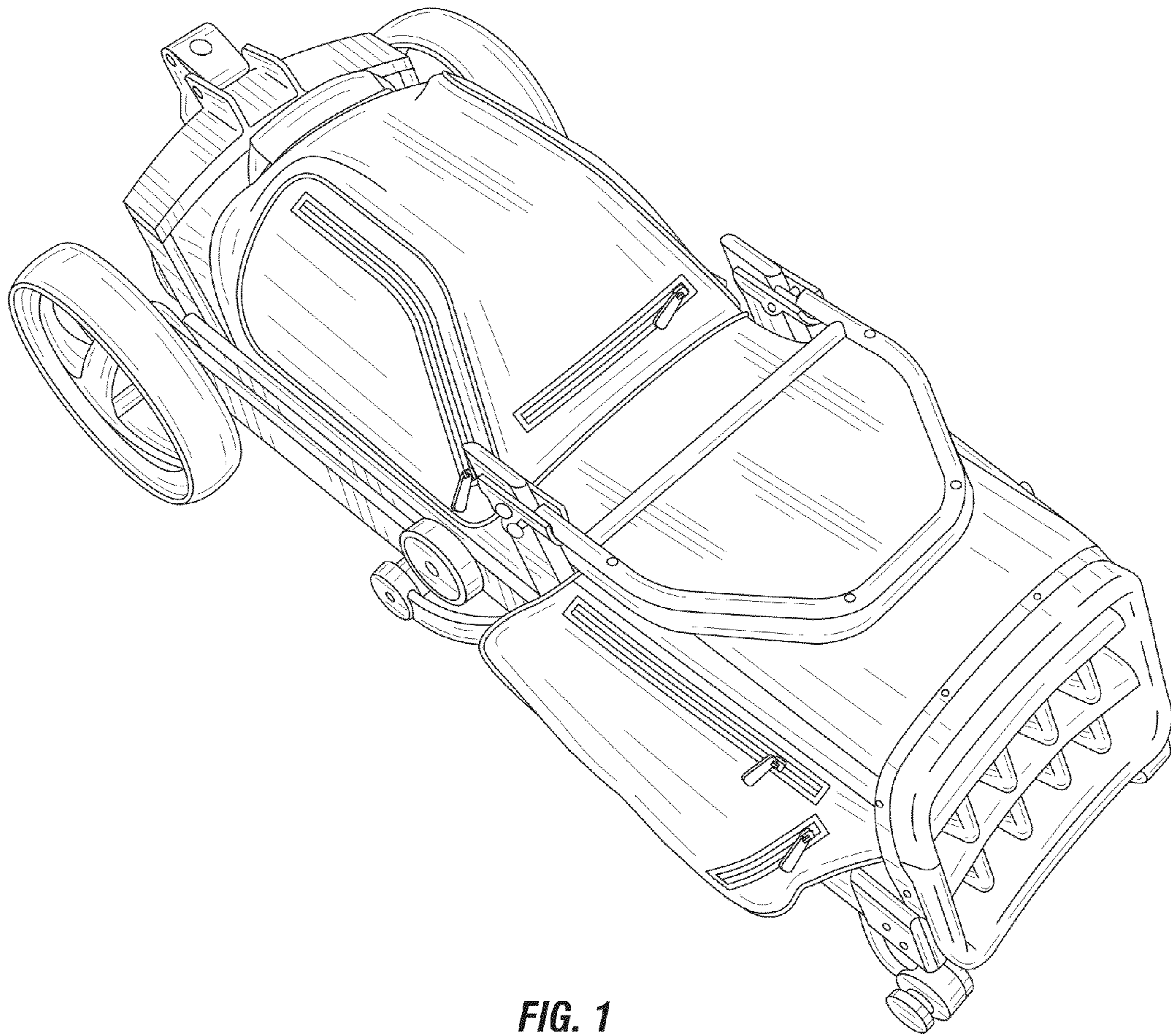
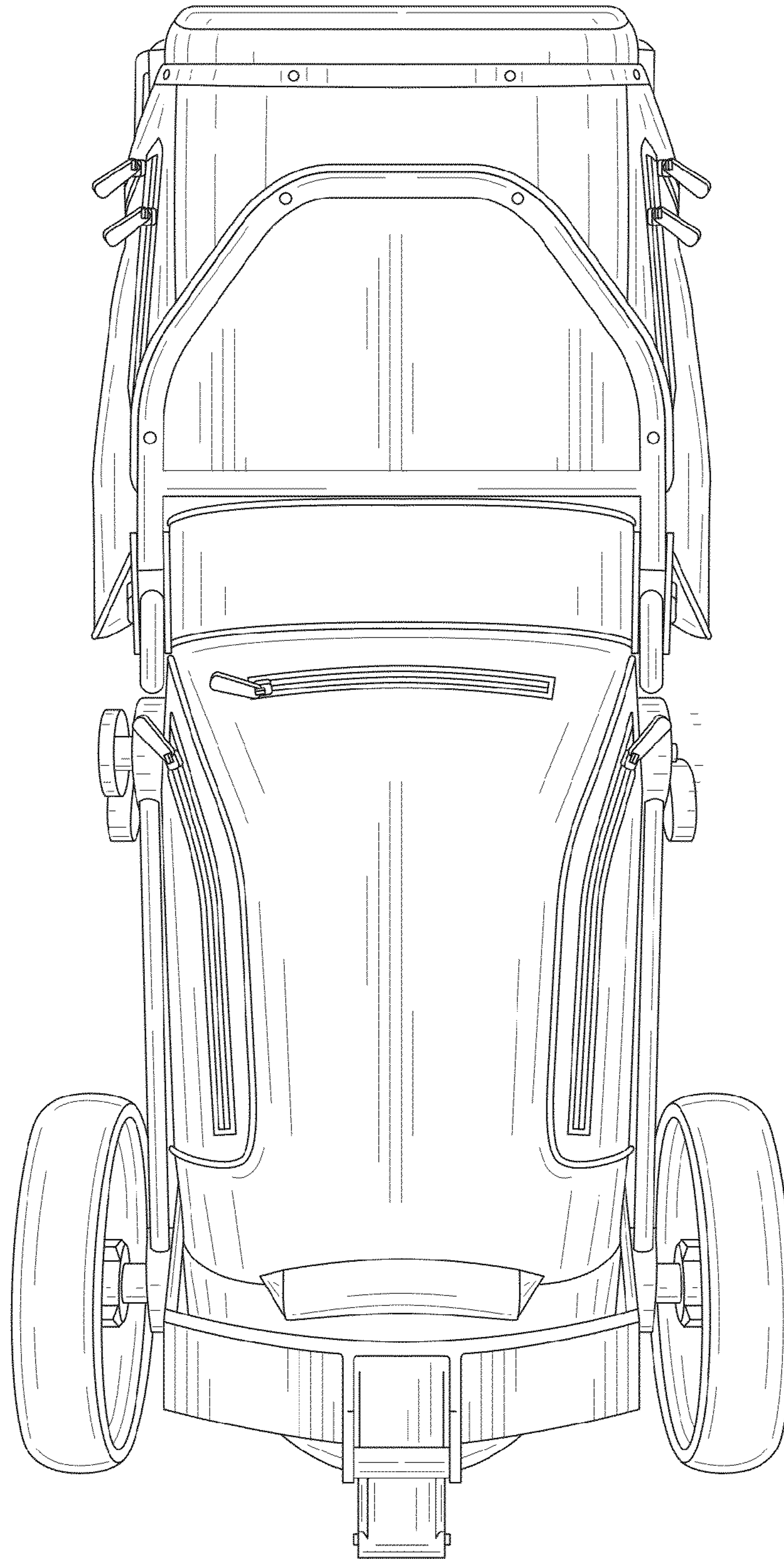
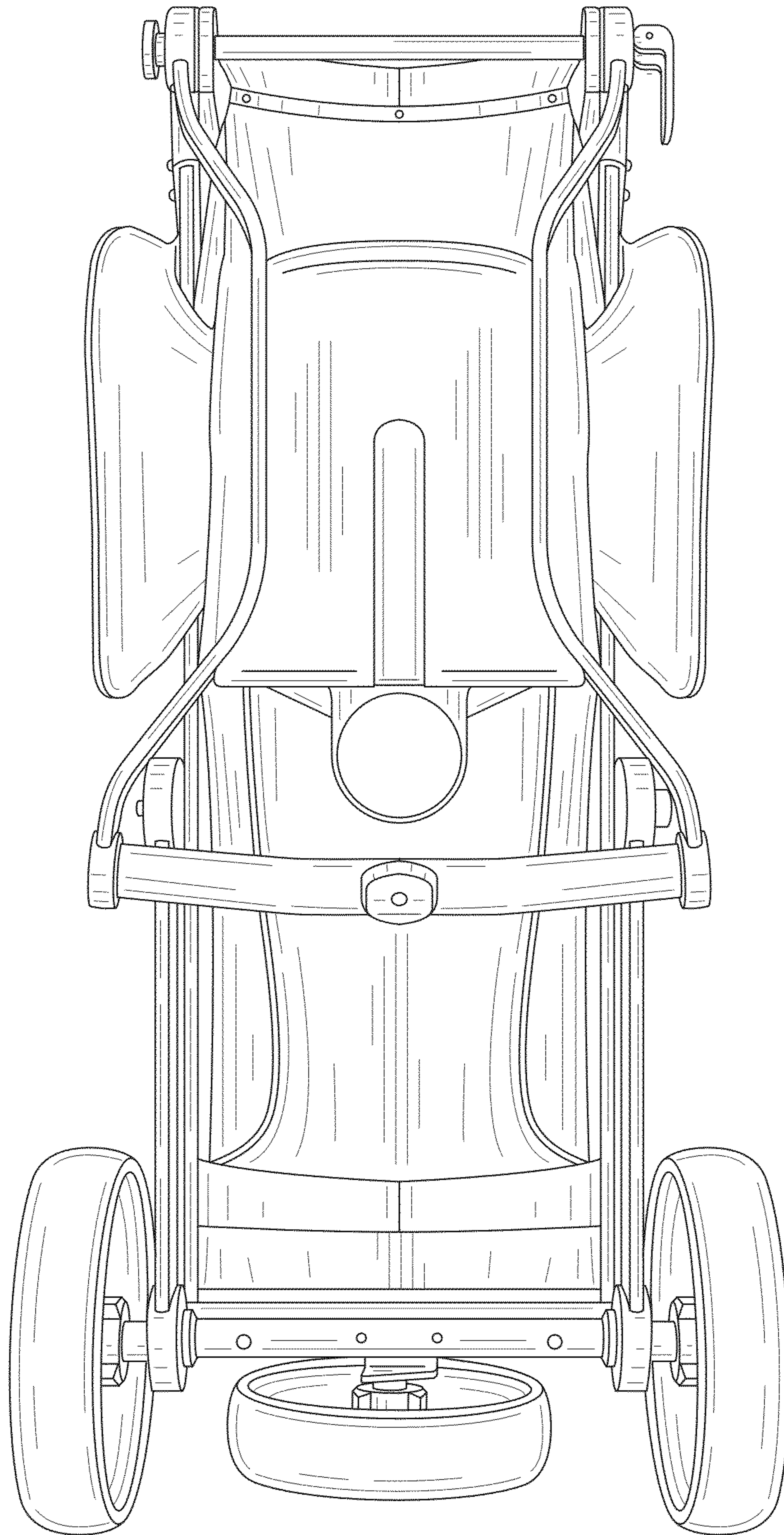


FIG. 1



**FIG. 2**



**FIG. 3**

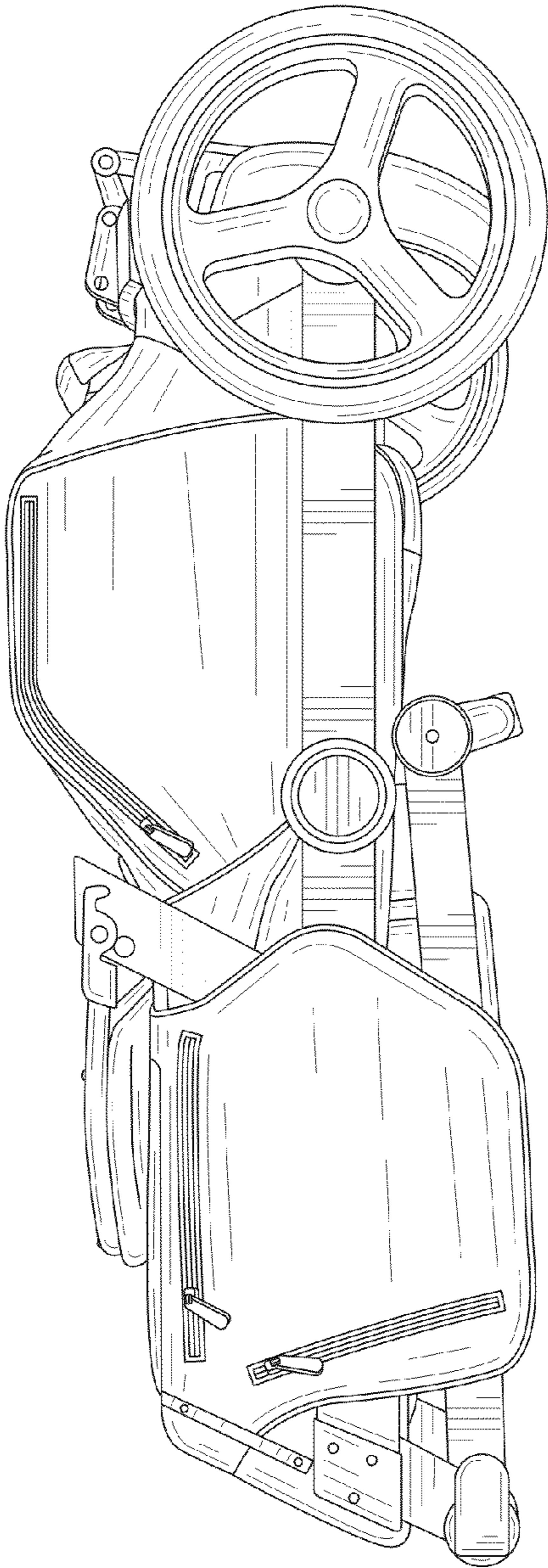


FIG. 4

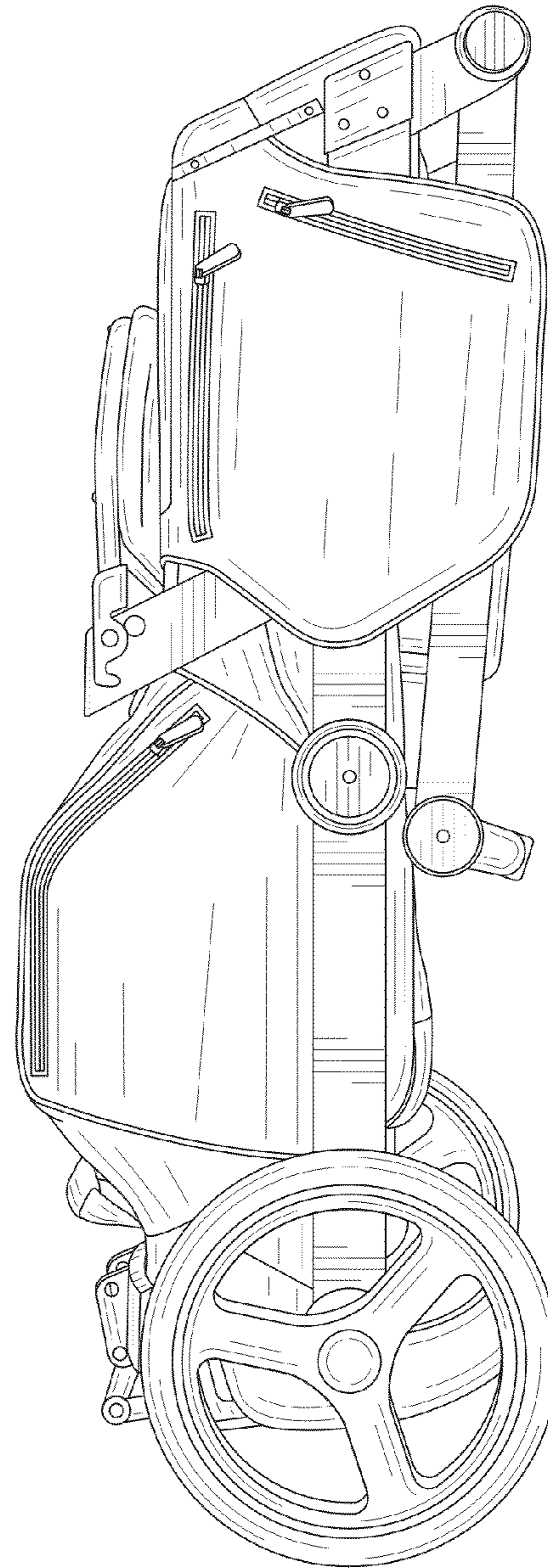
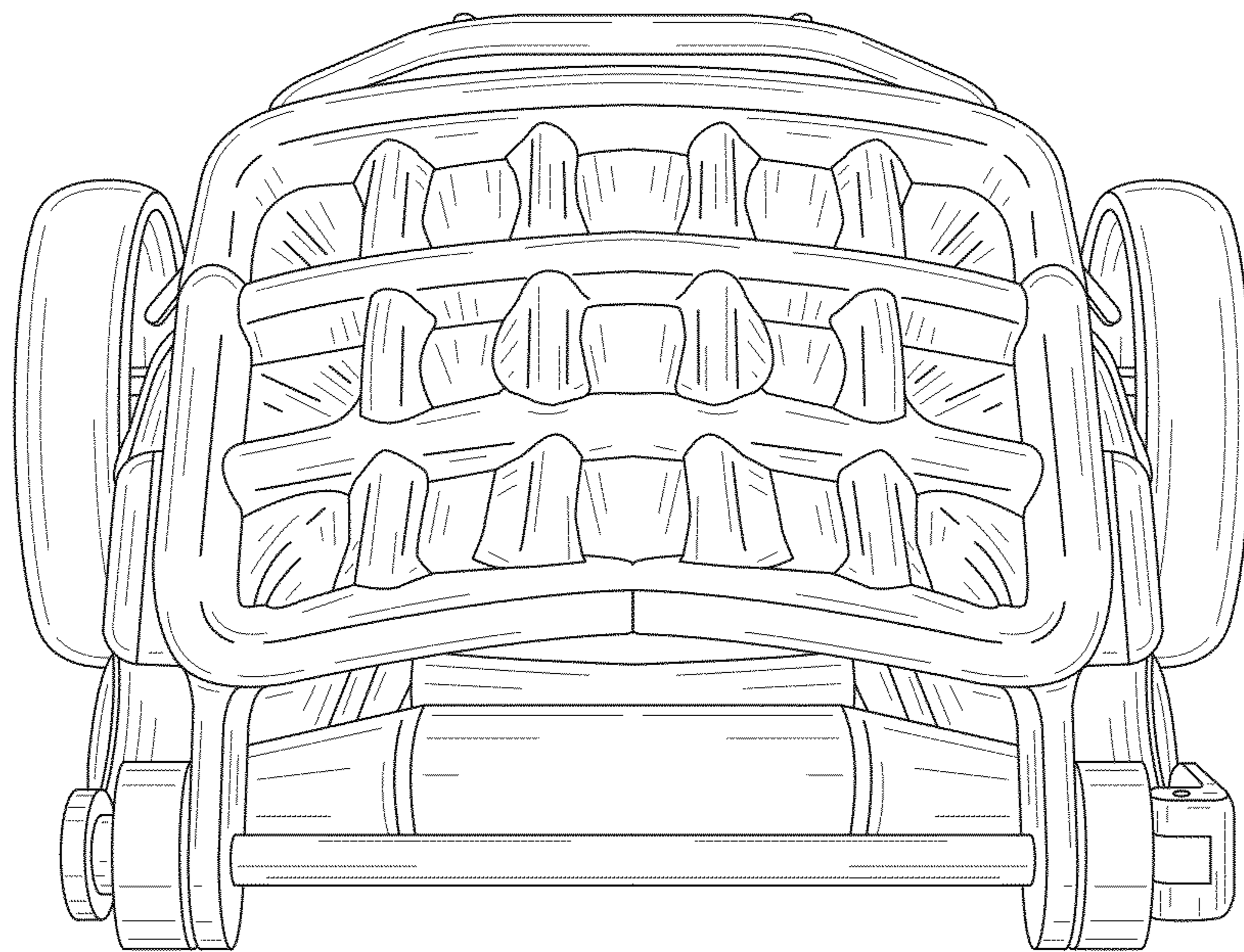
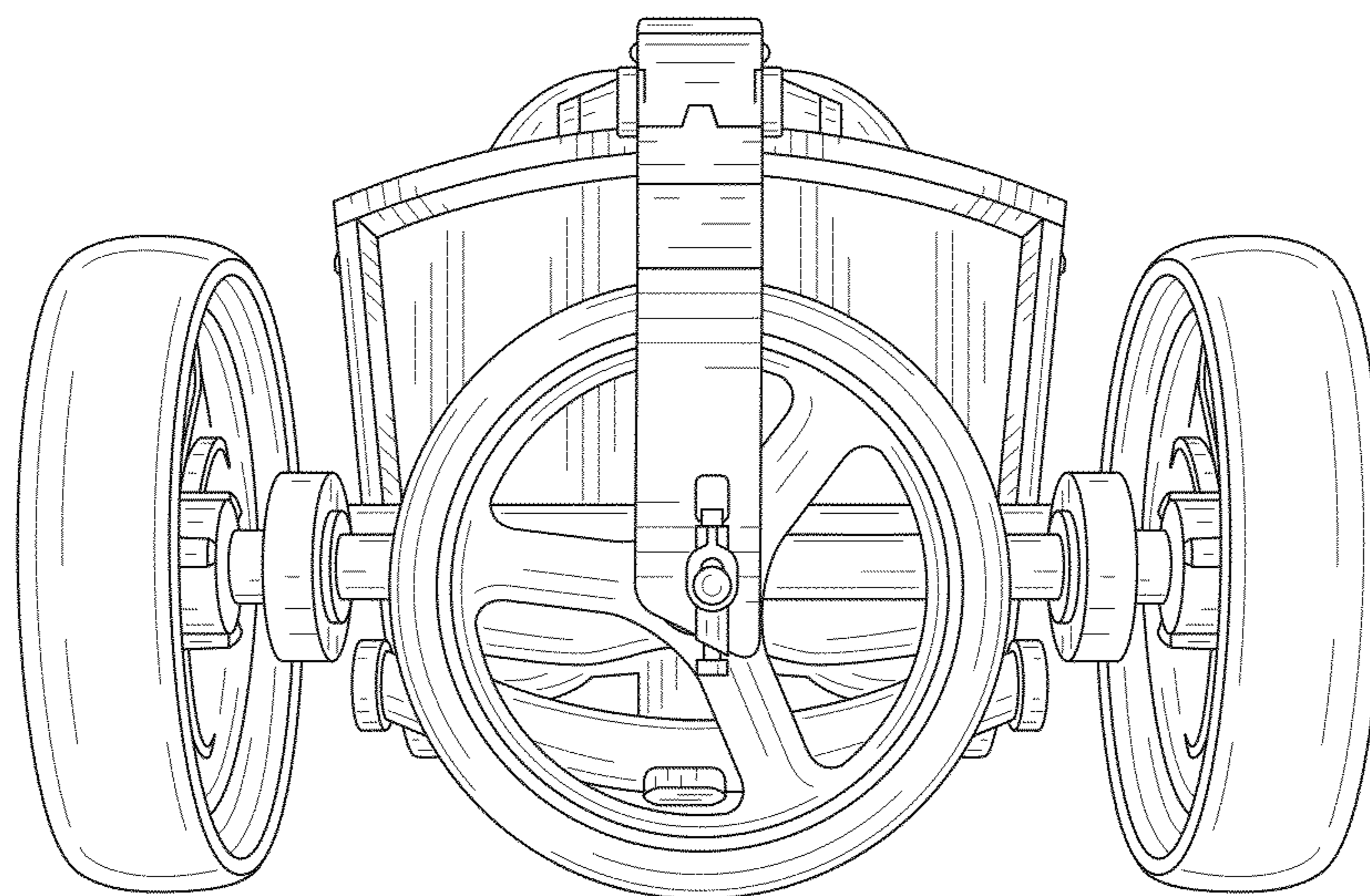


FIG. 5



**FIG. 6**



**FIG. 7**