



US00D704409S

(12) **United States Design Patent**
Reimers et al.

(10) **Patent No.:** **US D704,409 S**
(45) **Date of Patent:** **** May 6, 2014**

(54) **EXPANDED COMBINATION GOLF BAG AND CART**

D596,365 S * 7/2009 Reimers et al. D34/15
7,934,729 B2 * 5/2011 Murphy et al. 280/47.26
D695,484 S * 12/2013 Powell D34/15
2003/0146602 A1 * 8/2003 Lu 280/655

(71) Applicants: **Eric W. Reimers**, Missoula, MT (US);
Michael J. Deden, Missoula, MT (US)

* cited by examiner

(72) Inventors: **Eric W. Reimers**, Missoula, MT (US);
Michael J. Deden, Missoula, MT (US)

Primary Examiner — Cynthia Ramirez

(73) Assignee: **Sun Mountain Sports, Inc.**, Missoula, MT (US)

(74) *Attorney, Agent, or Firm* — Michael J. Hughes

(**) Term: **14 Years**

(57) **CLAIM**

The ornamental design for an expanded combination golf bag and cart, as shown and described.

(21) Appl. No.: **29/447,862**

(22) Filed: **Mar. 7, 2013**

DESCRIPTION

(51) **LOC (10) Cl.** **12-13**

(52) **U.S. Cl.**
USPC **D34/15**

(58) **Field of Classification Search**
USPC D34/12-27; 280/DIG. 5, DIG. 6;
180/19.3, 19.1, 215, 216, 907
See application file for complete search history.

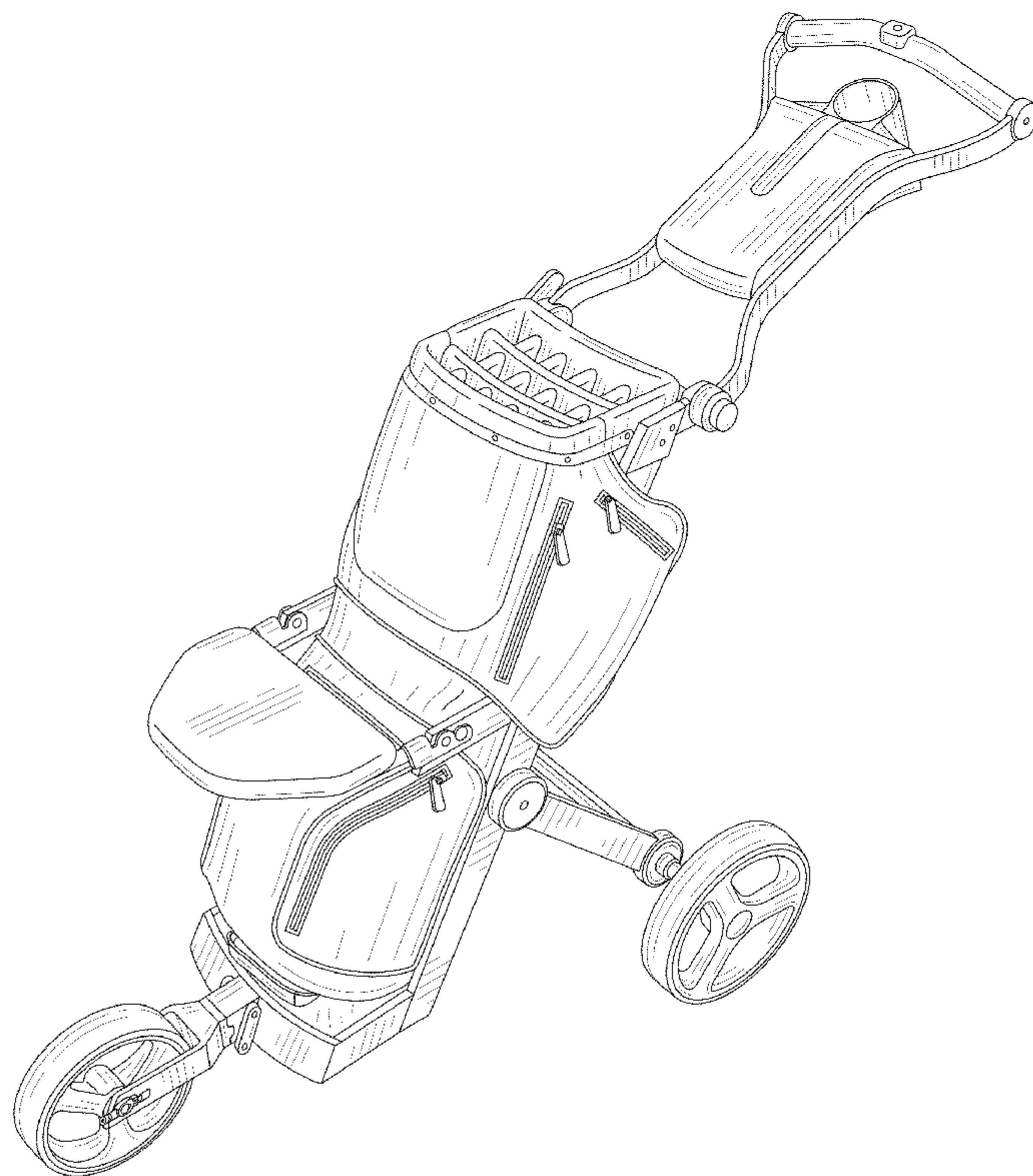
FIG. 1 is a front right perspective of the expanded combination golf bag and cart of the present invention;
FIG. 2 is a front plan view thereof;
FIG. 3 is a rear plan view thereof;
FIG. 4 is a left side elevation view thereof;
FIG. 5 is a right side elevation view thereof;
FIG. 6 is a top view thereof; and,
FIG. 7 is a bottom view thereof.

(56) **References Cited**

U.S. PATENT DOCUMENTS

5,267,750 A * 12/1993 Thompson 280/646
6,979,019 B2 * 12/2005 Chen 280/652

1 Claim, 6 Drawing Sheets



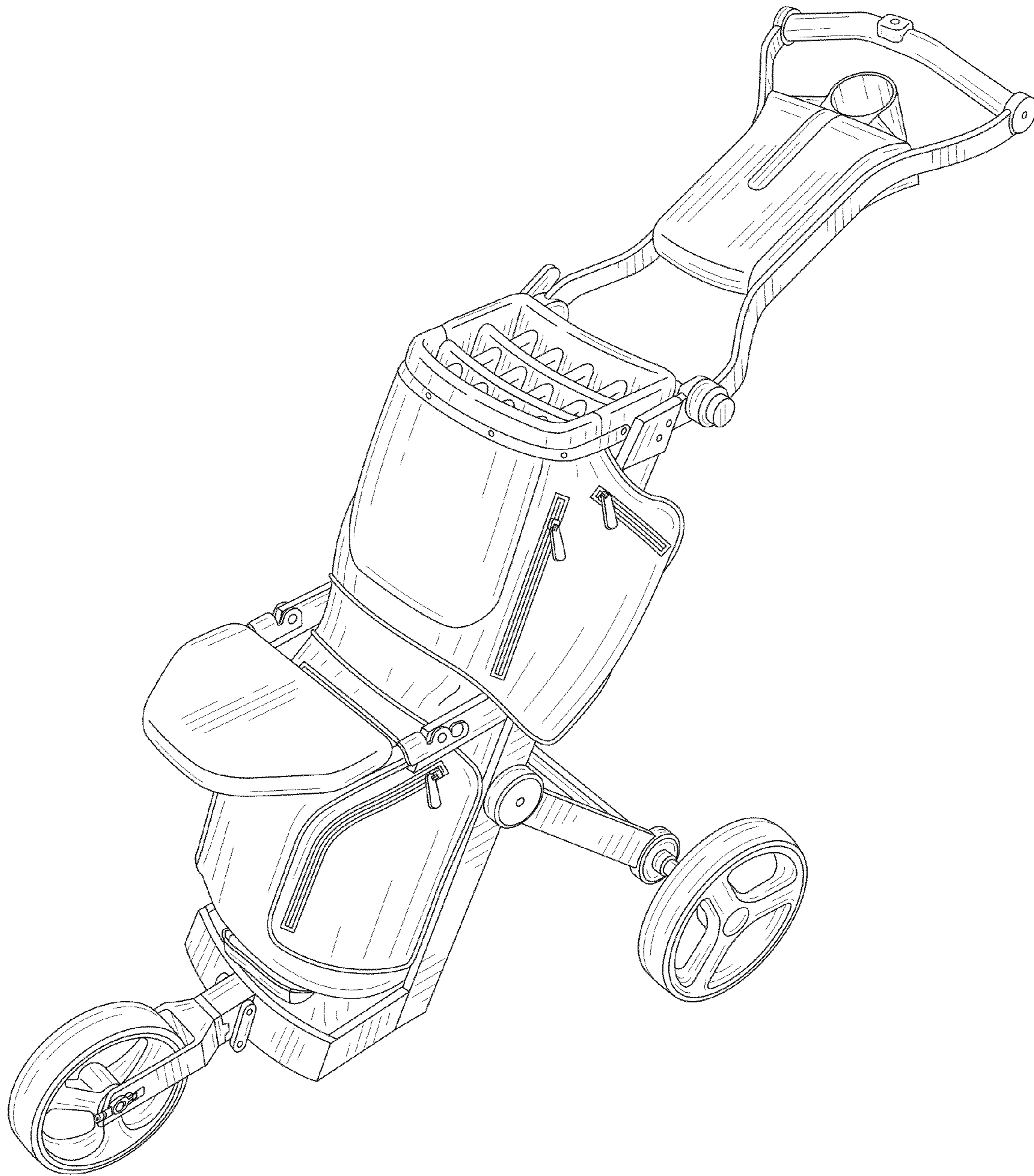


FIG. 1

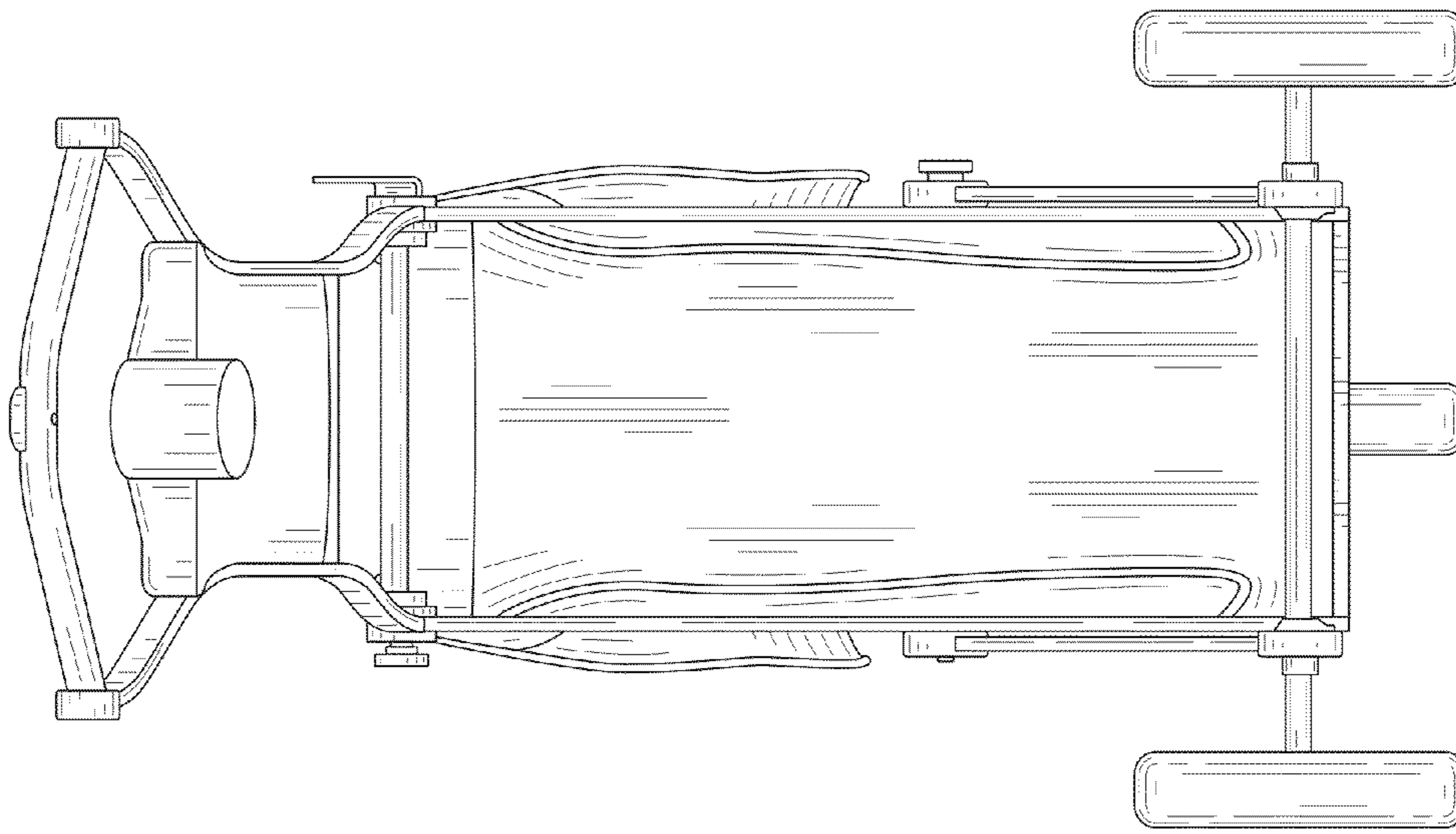


FIG. 3

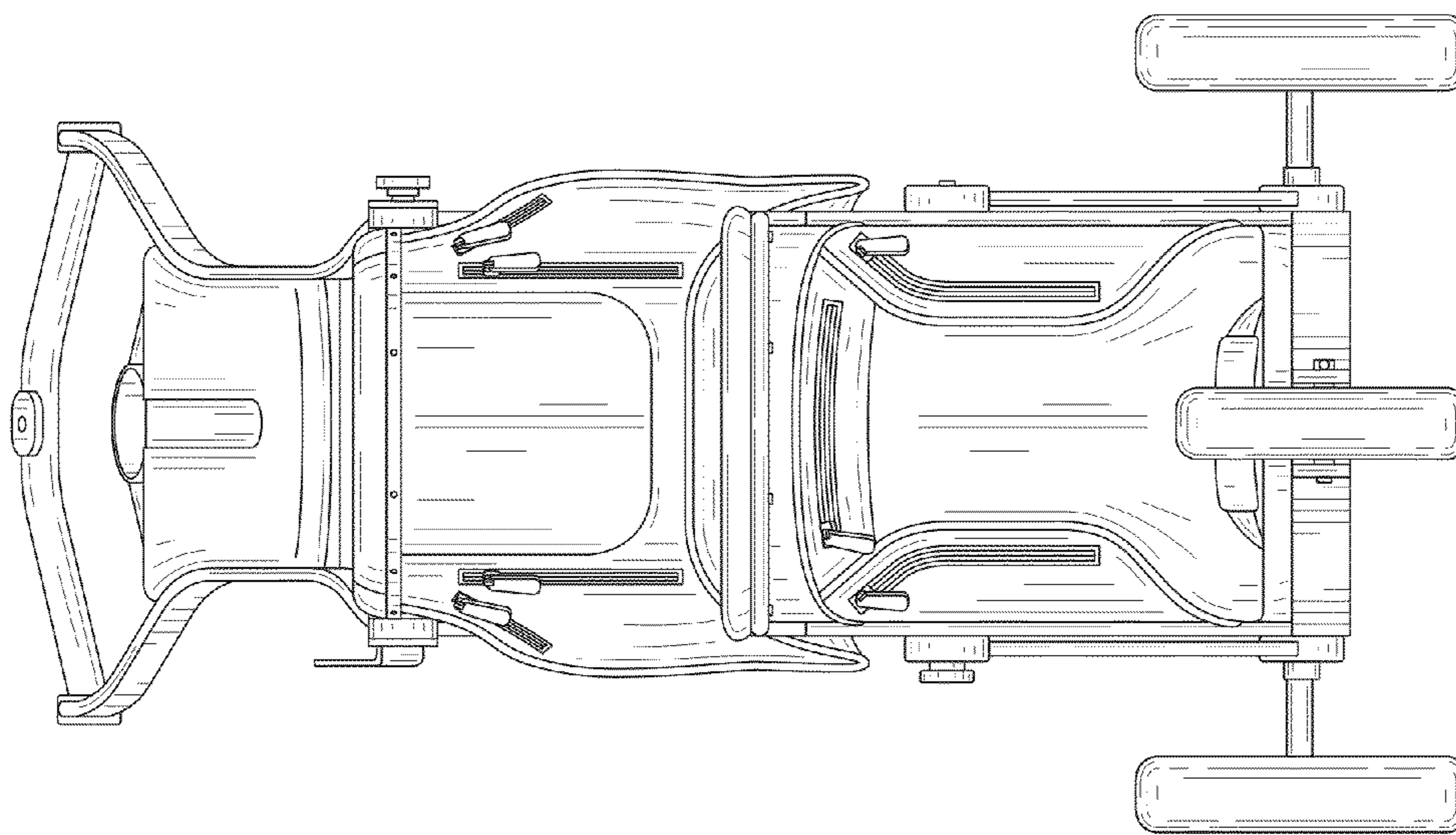


FIG. 2

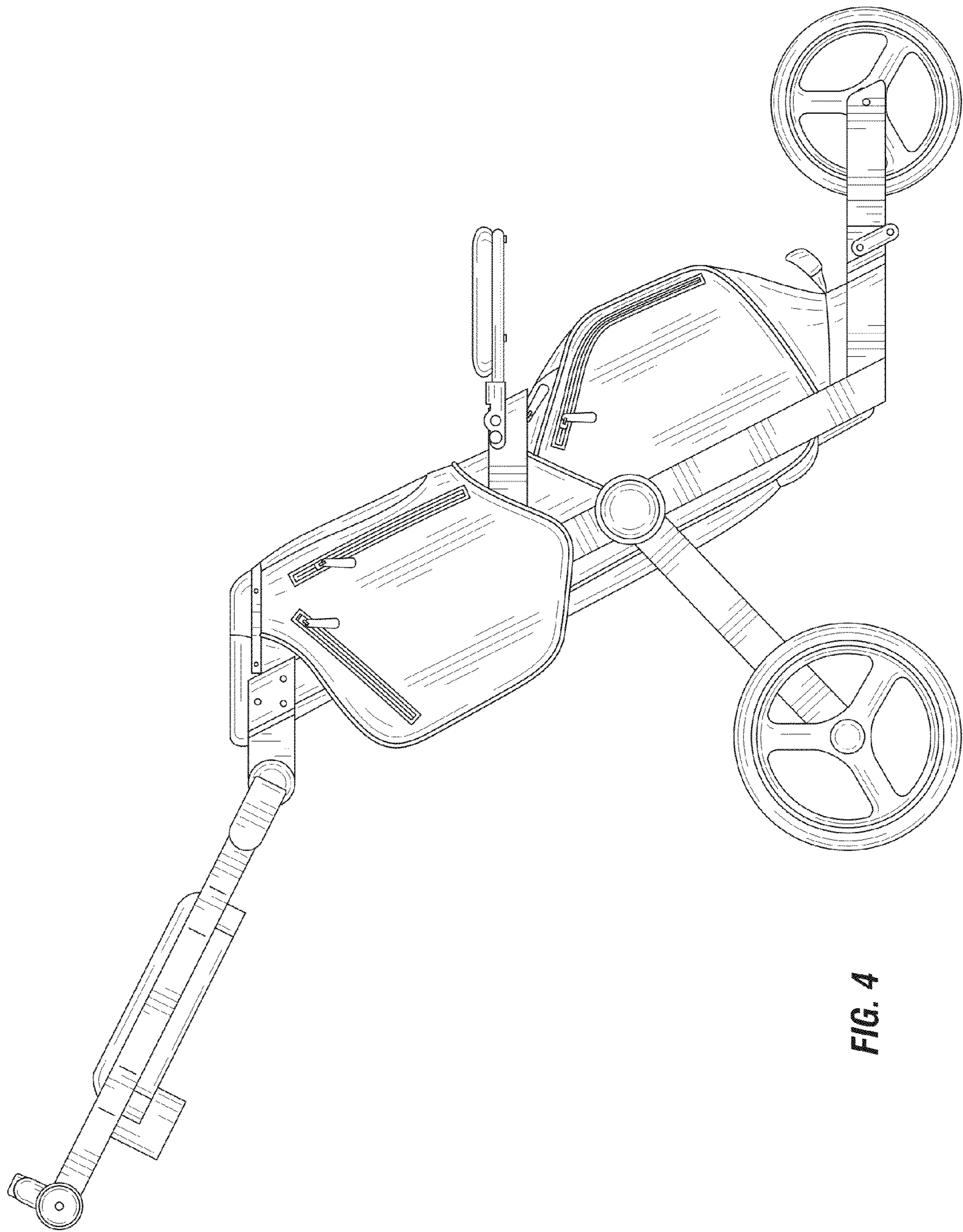


FIG. 4

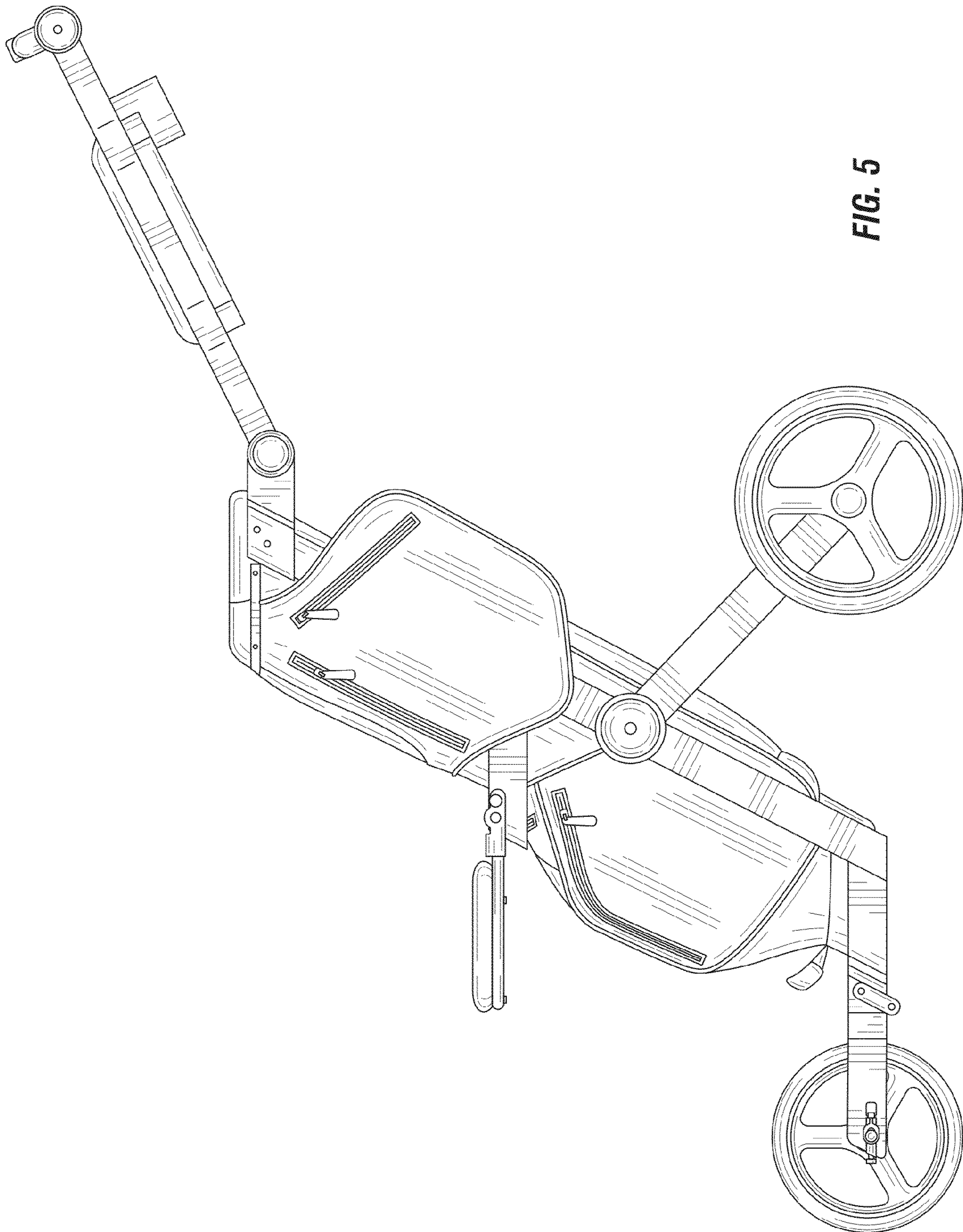


FIG. 5

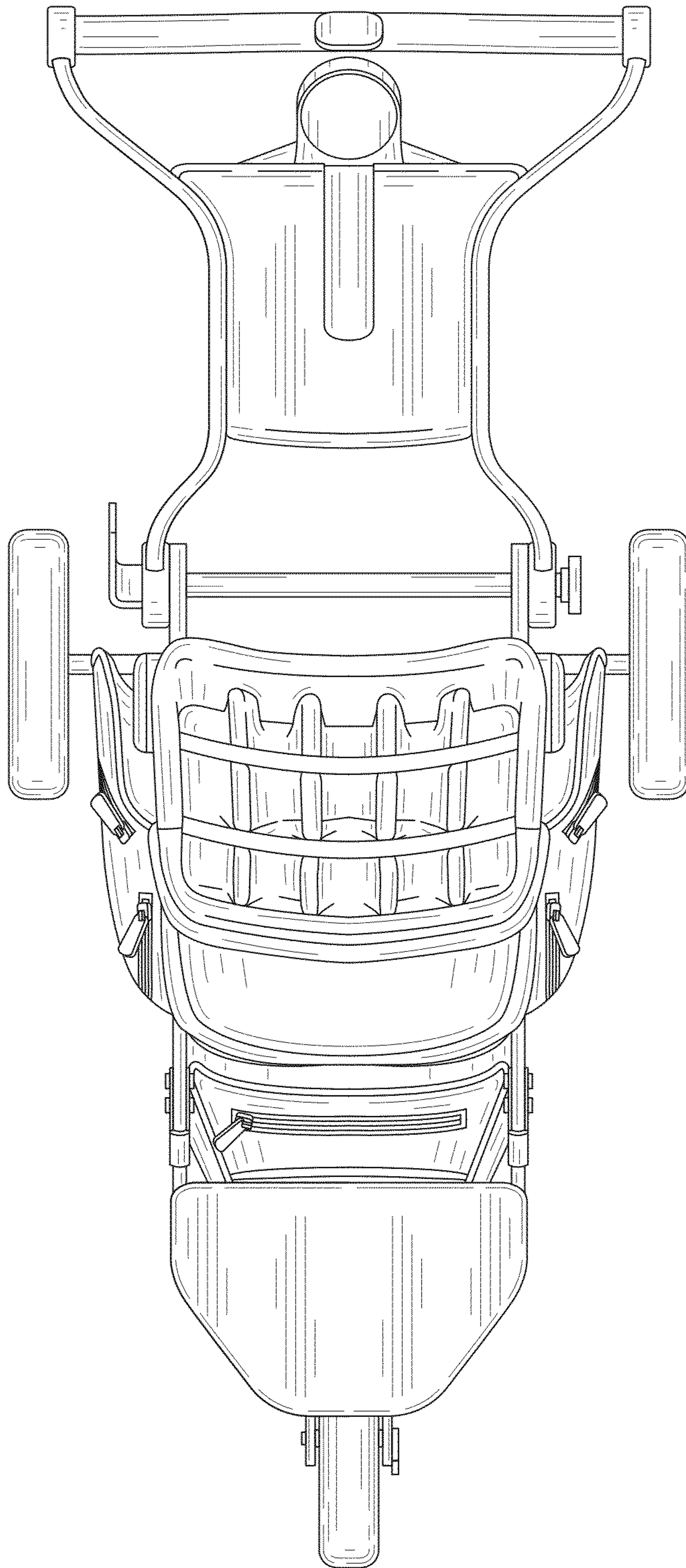


FIG. 6

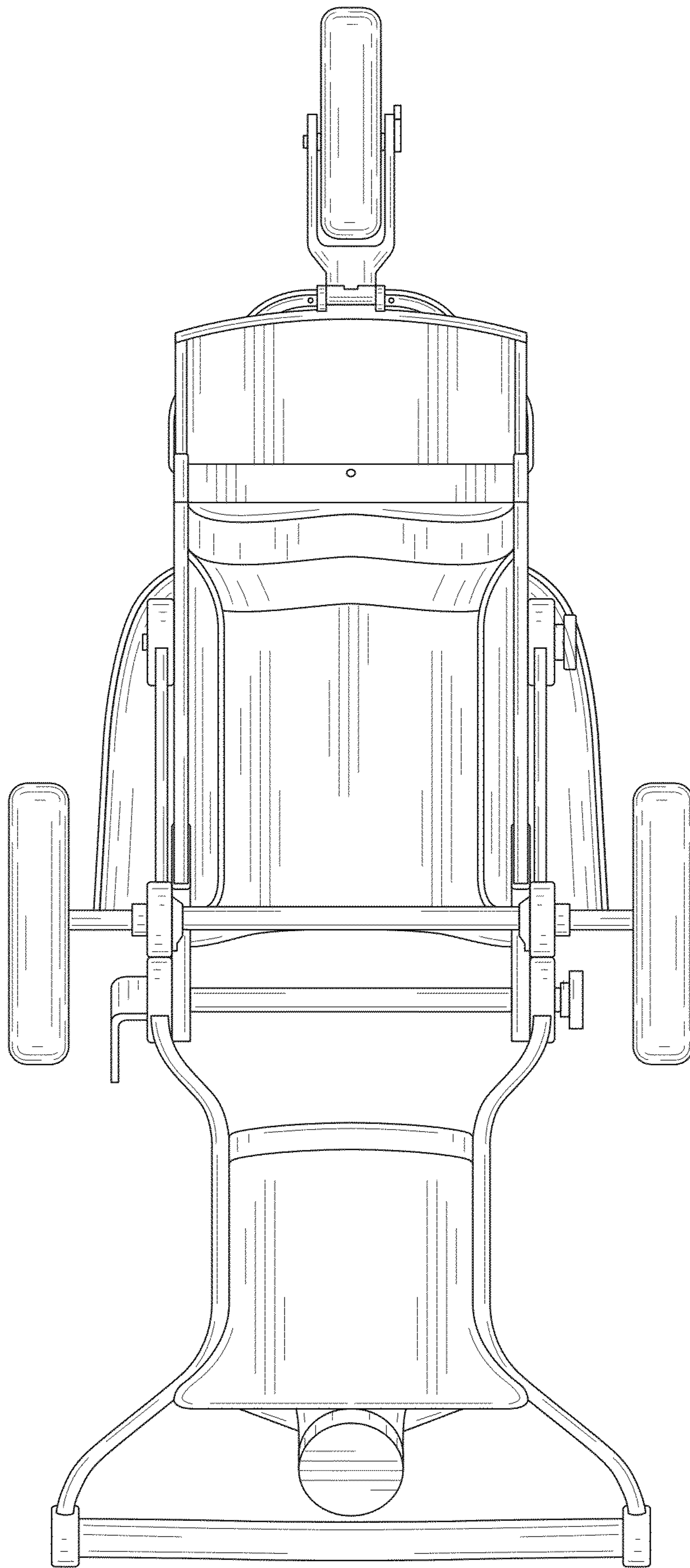


FIG. 7