

US00D704408S

(12) **United States Design Patent**
Loudon et al.

(10) **Patent No.:** **US D704,408 S**

(45) **Date of Patent:** **** May 6, 2014**

(54) **HOSE REEL CART**

(71) Applicant: **Active Products Inc.**, North York (CA)

(72) Inventors: **Jonathan Loudon**, Toronto (CA);
Heather Lam, Toronto (CA); **Rebecca Brunette**, Toronto (CA); **Kevin Armour**, Toronto (CA)

(73) Assignee: **Active Products Inc.**, Toronto (CA)

(**) Term: **14 Years**

(21) Appl. No.: **29/456,420**

(22) Filed: **May 31, 2013**

(51) **LOC (10) Cl.** **12-02**

(52) **U.S. Cl.**
USPC **D34/14; D34/24**

(58) **Field of Classification Search**
USPC **D34/12-27; 280/33.991, 33.992, 280/33.994, 47.18, 47.26, 47.34; D8/359**
See application file for complete search history.

(56) **References Cited**

U.S. PATENT DOCUMENTS

4,512,361	A	*	4/1985	Tisbo et al.	137/355.27
RE32,510	E	*	9/1987	Tisbo et al.	137/355.27
D330,847	S	*	11/1992	Clivio	D8/359
D349,039	S	*	7/1994	Goodman et al.	D8/359
D395,111	S	*	6/1998	Spear et al.	D34/24

D503,837	S	*	4/2005	Alkalay	D34/14
D570,573	S	*	6/2008	Arcati et al.	D34/24
D604,020	S	*	11/2009	Blaszczak et al.	D34/14
D604,021	S	*	11/2009	Blaszczak et al.	D34/14
8,196,852	B2	*	6/2012	Blaszczak	242/395

* cited by examiner

Primary Examiner — Cynthia Ramirez

(74) *Attorney, Agent, or Firm* — Bhole IP Law; Anil Bhole

(57) **CLAIM**

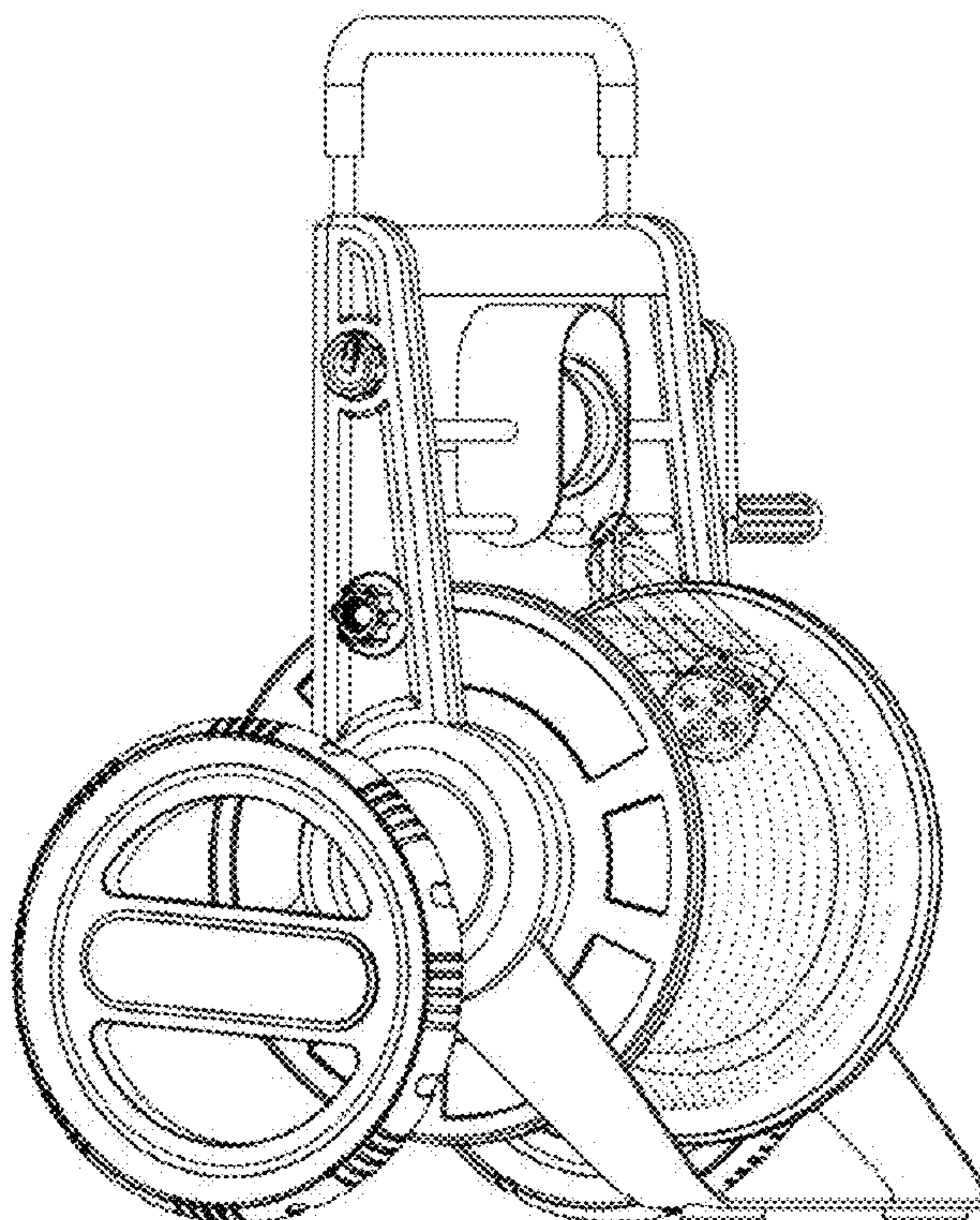
The ornamental design for a hose reel cart, as shown and described.

DESCRIPTION

FIG. 1 is a front left plan view of a hose reel cart;
FIG. 2 is a front right perspective view of the hose reel cart;
FIG. 3 is a front view of the hose reel cart;
FIG. 4 is a right side view of the hose reel cart;
FIG. 5 is a rear view of the hose reel cart;
FIG. 6 is a left side view of the hose reel cart;
FIG. 7 is a top view of the hose reel cart;
FIG. 8 is a bottom view of the hose reel cart;
FIG. 9 is a front view of the hose reel cart in an exemplary use;
and,
FIG. 10 is a rear left perspective view of the hose reel cart with electrical cord unwound.

The broken lines shown in the figures are directed to environment and are for illustrative purposes only; the broken lines form no part of the claimed design.

1 Claim, 5 Drawing Sheets



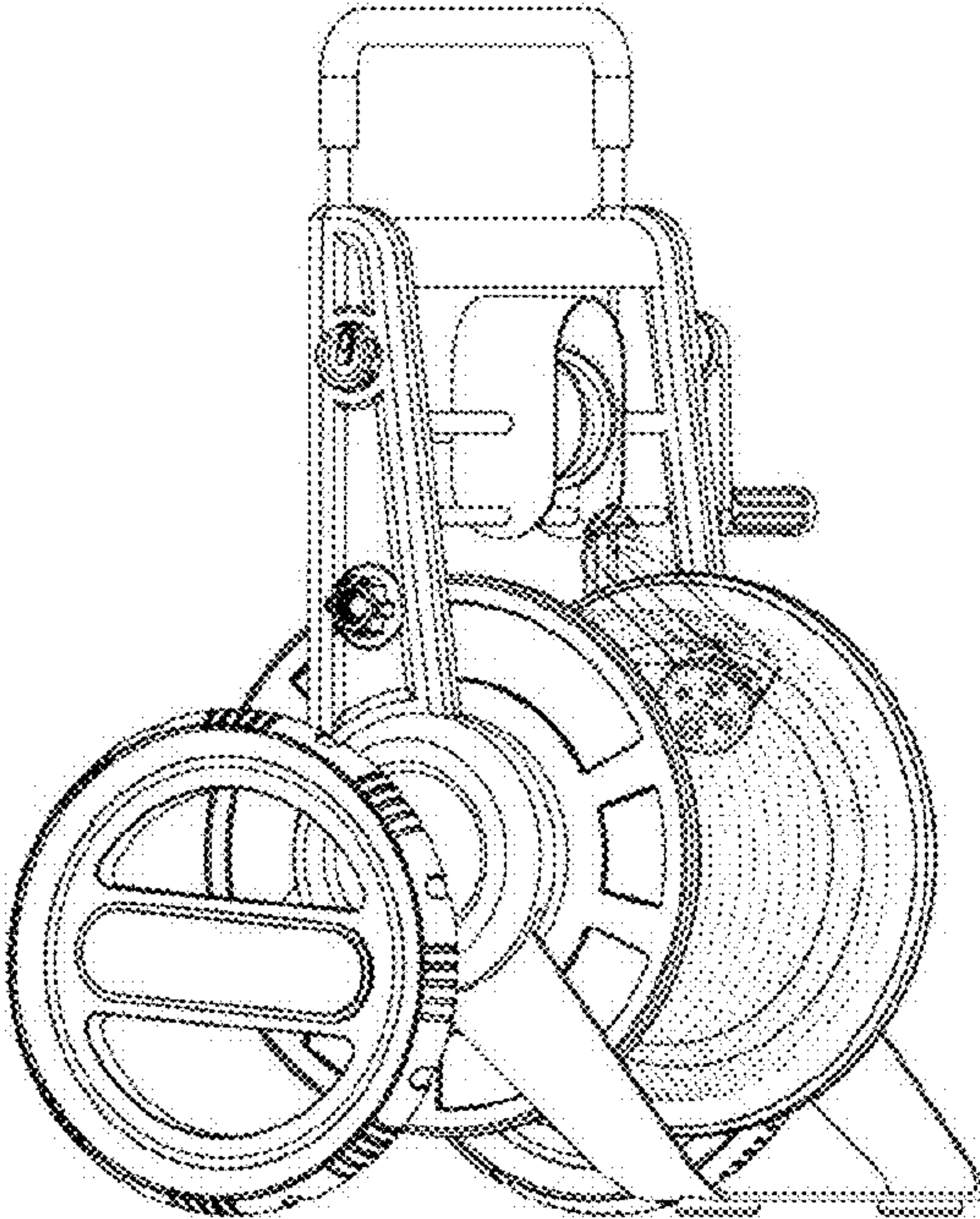


FIG. 1

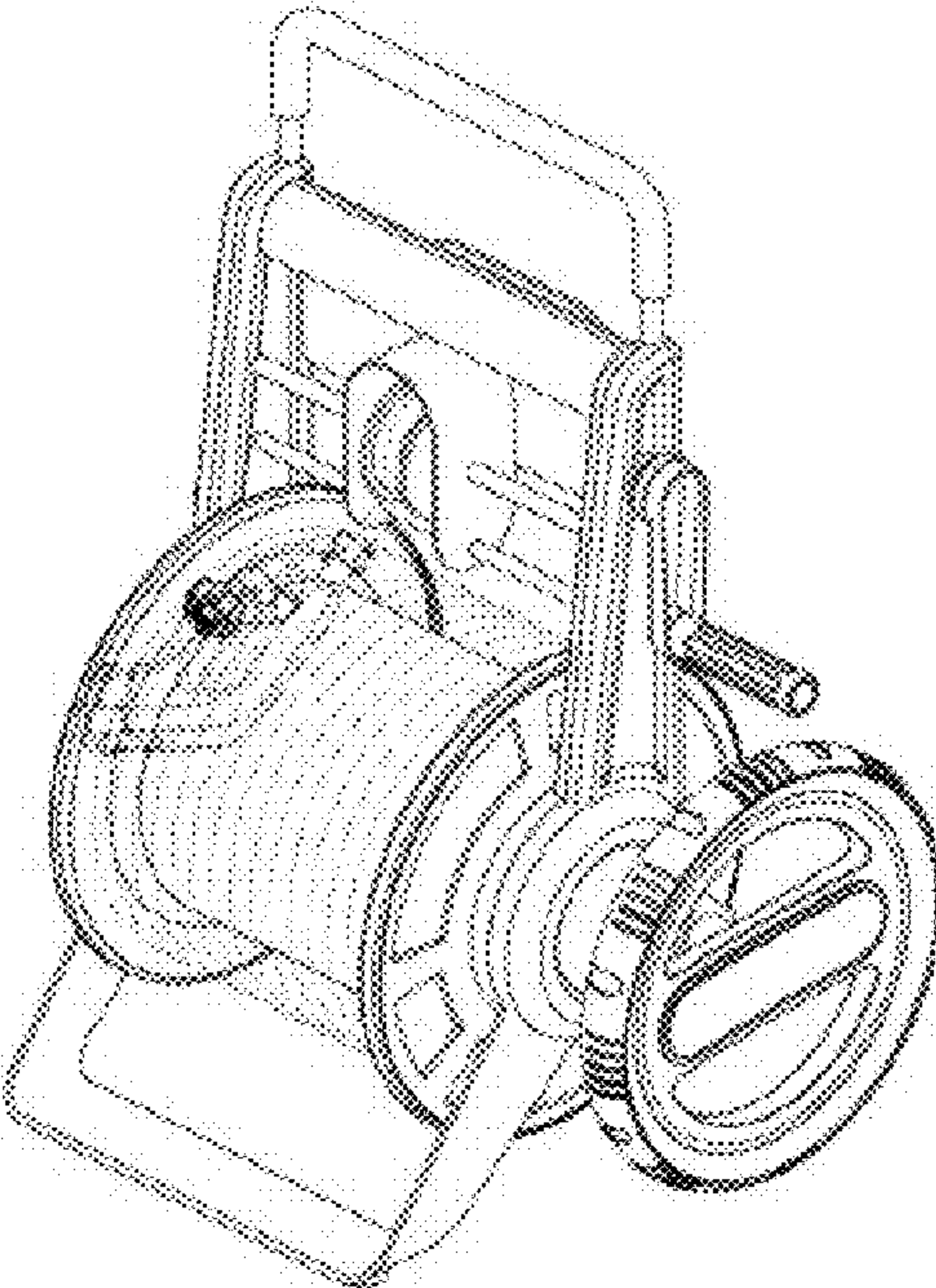


FIG. 2

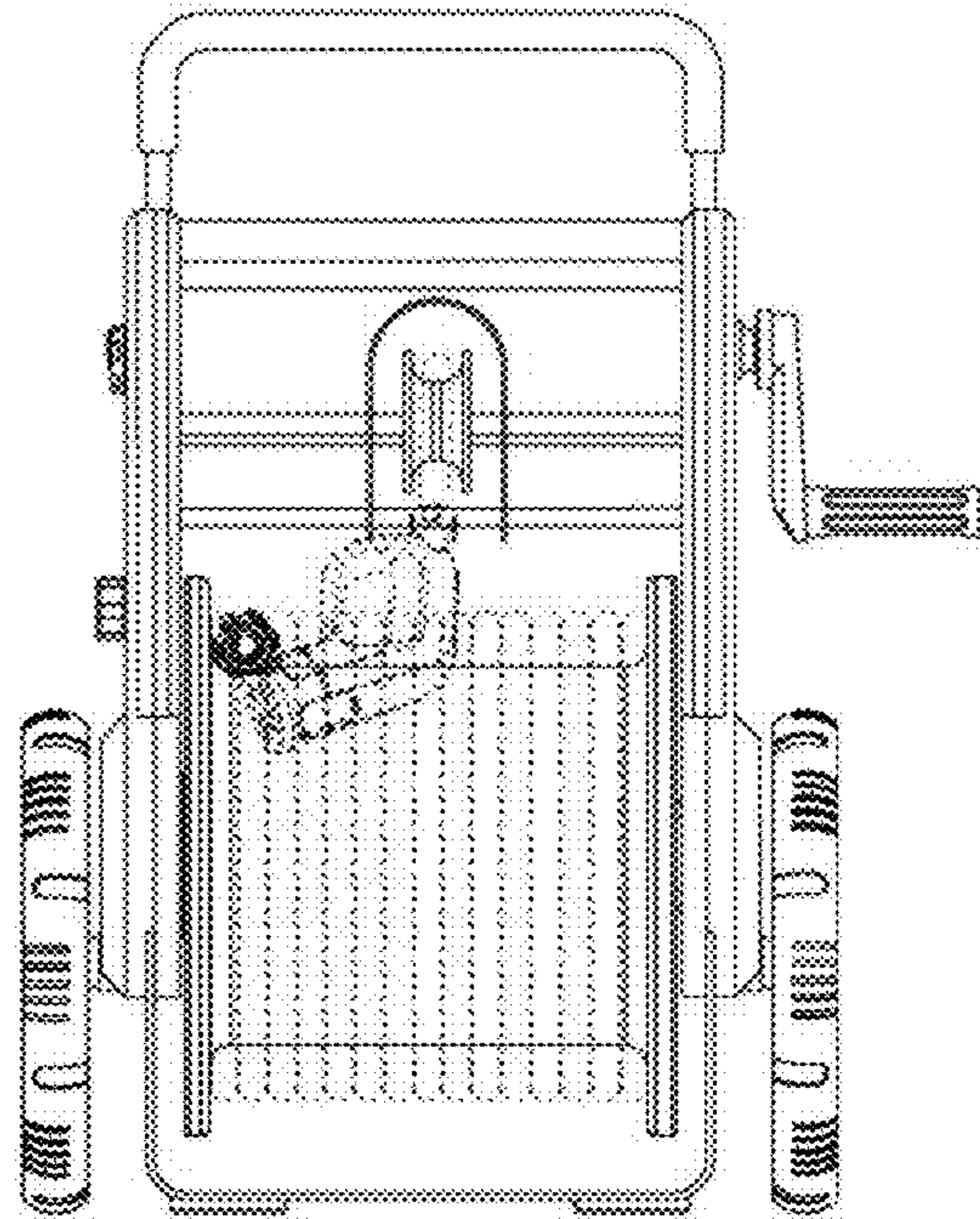


FIG. 3

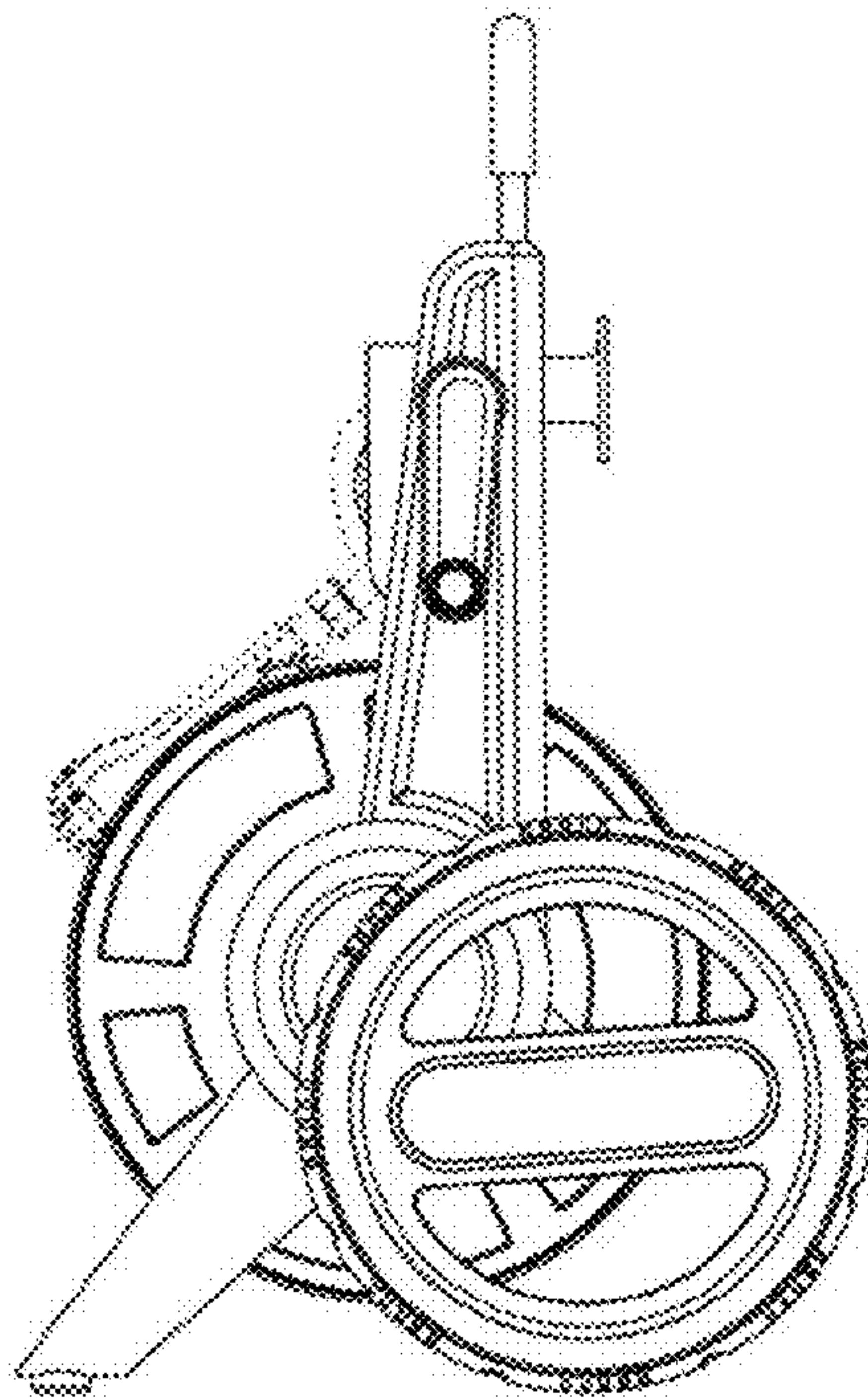


FIG. 4

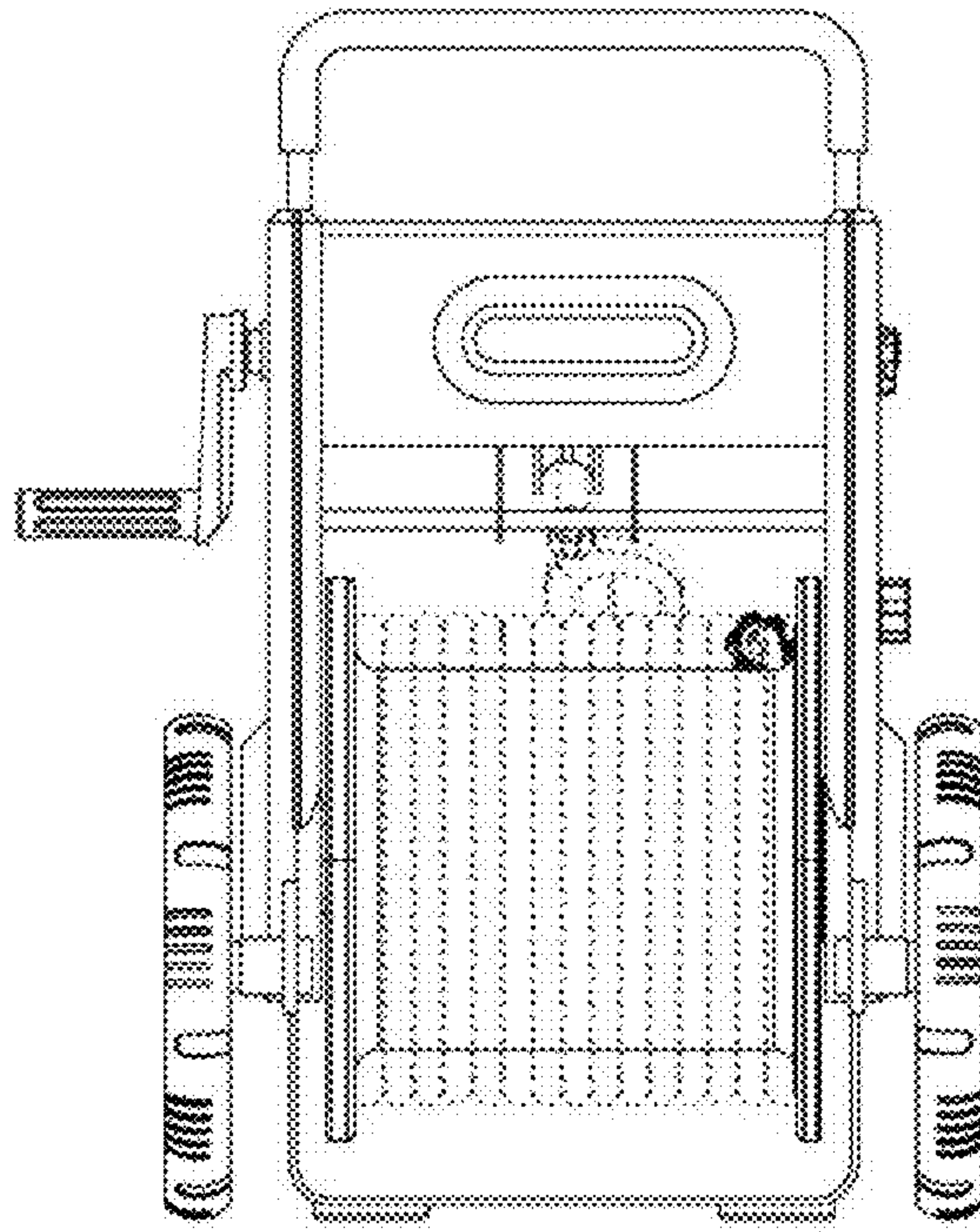


FIG. 5

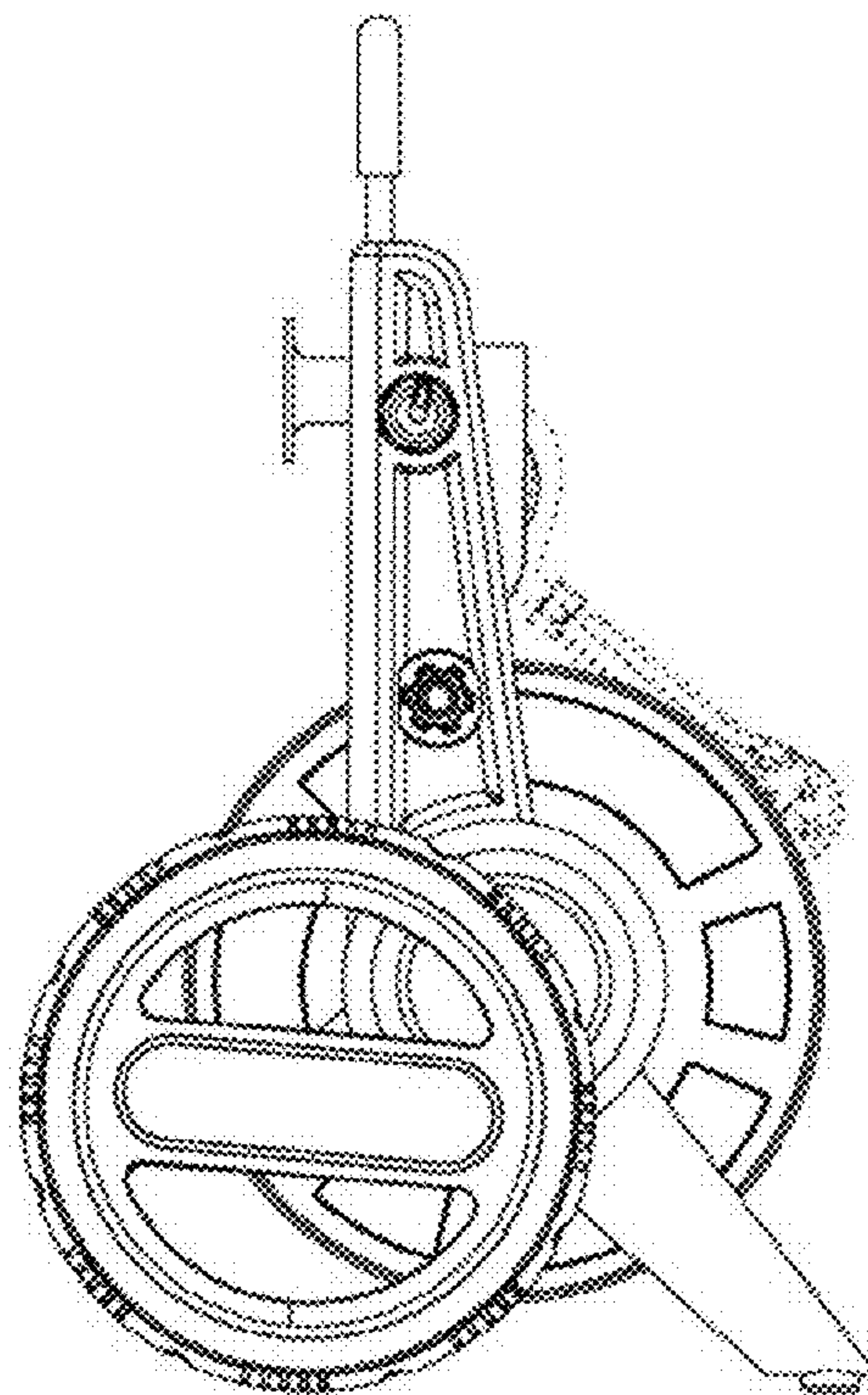


FIG. 6

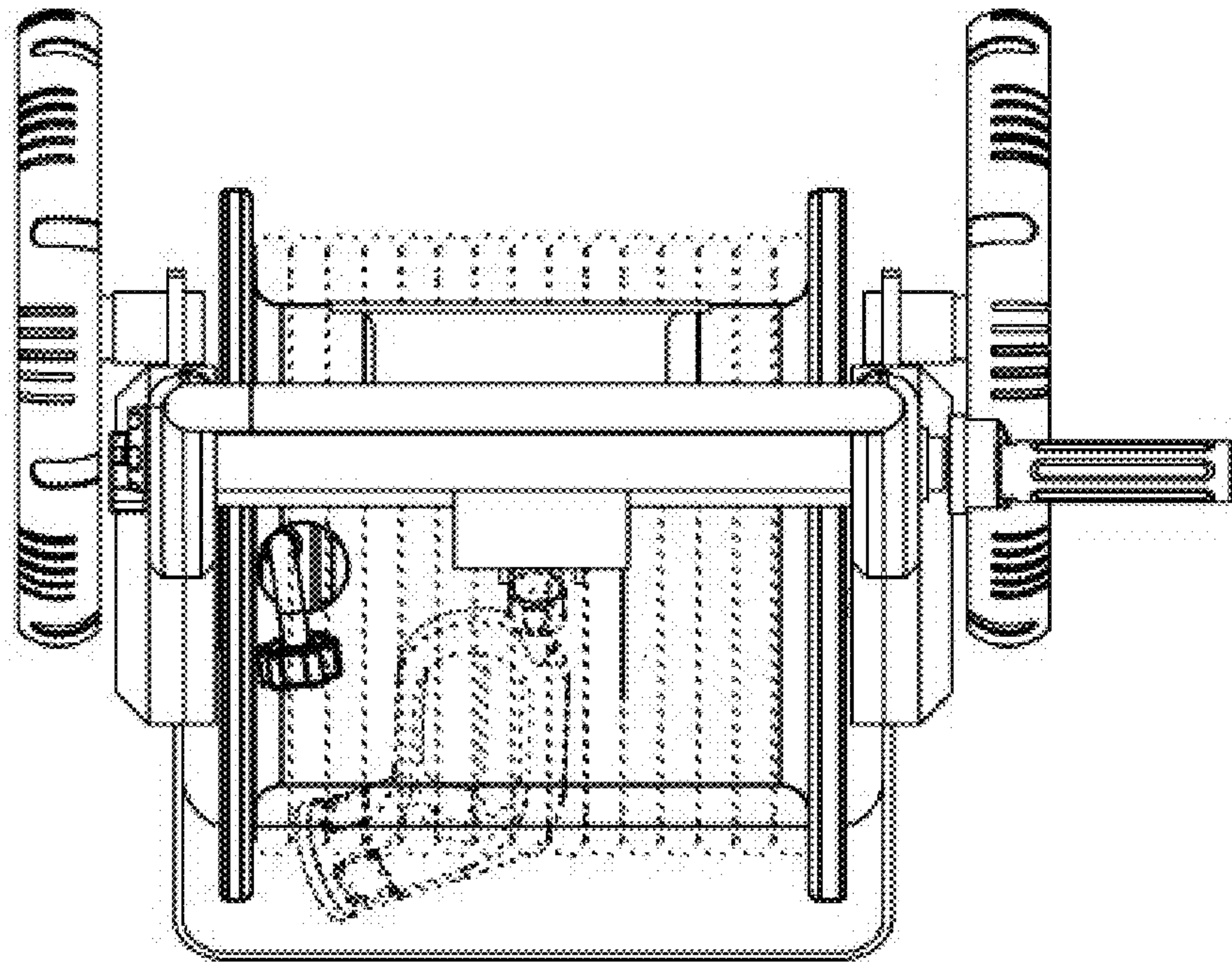


FIG. 7

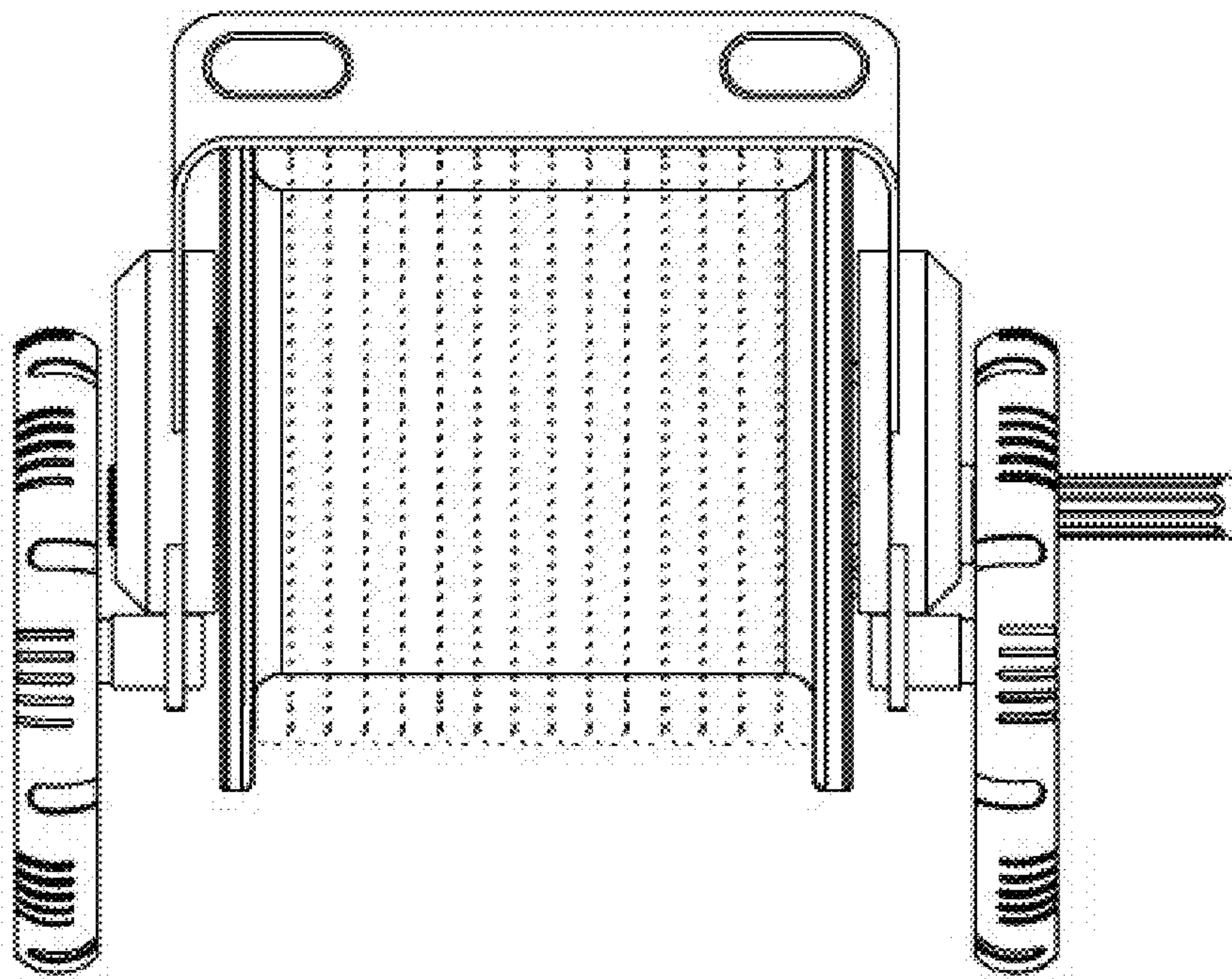


FIG. 8

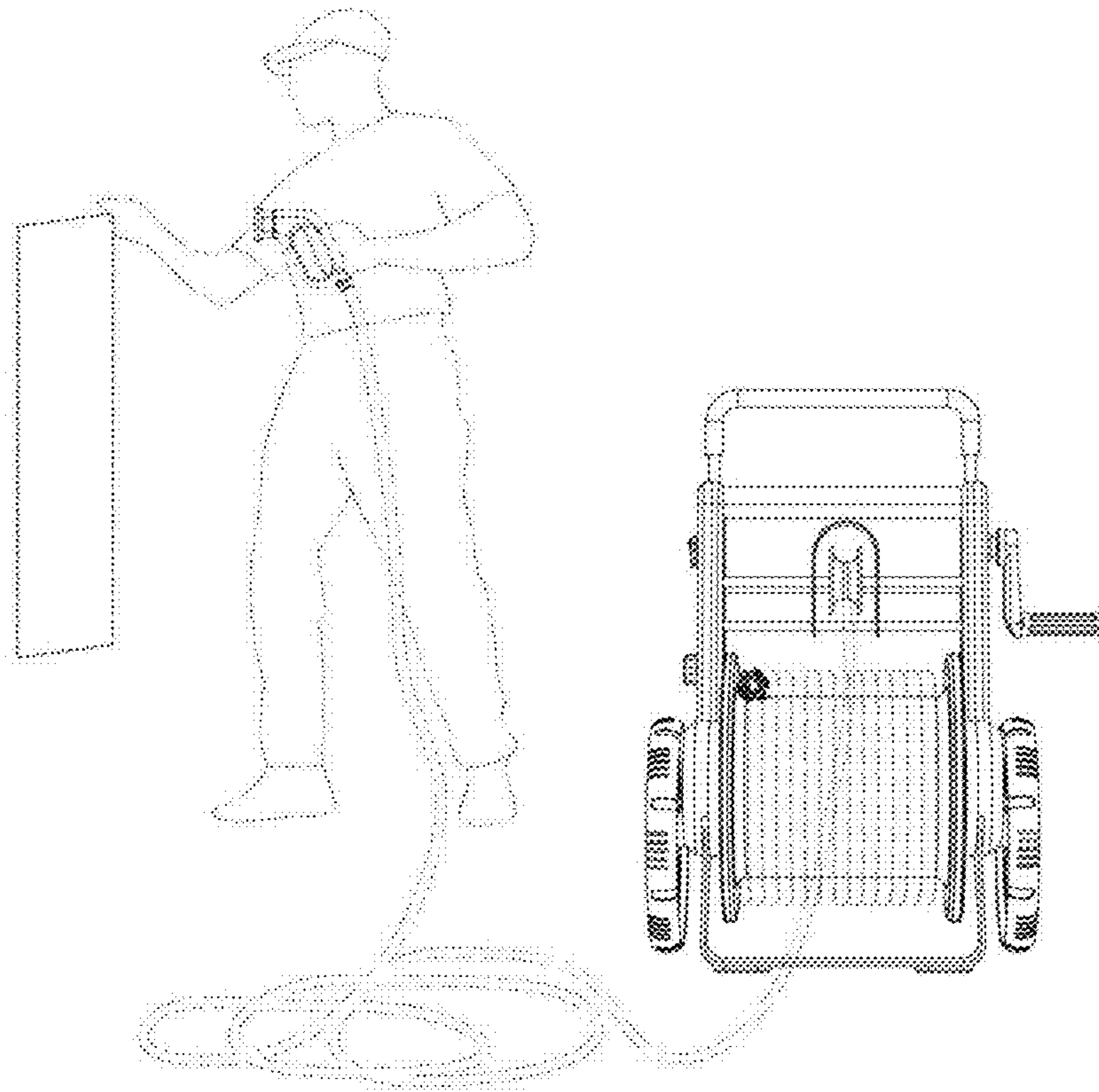


FIG. 9

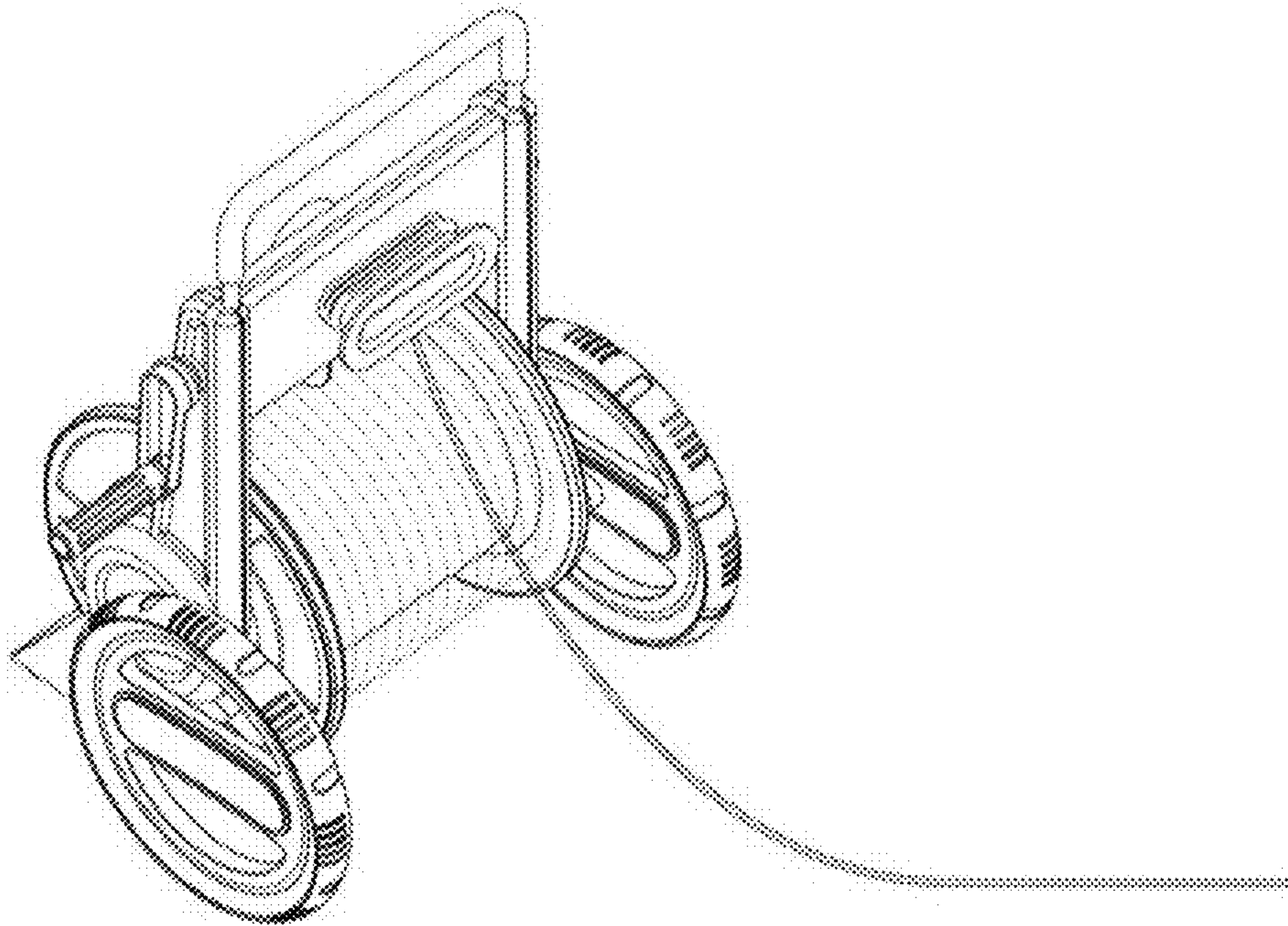


FIG. 10