



US00D704405S

(12) **United States Design Patent**
Libman et al.

(10) **Patent No.:** **US D704,405 S**

(45) **Date of Patent:** **** May 6, 2014**

(54) **BRACKET**

(75) Inventors: **Robert J. Libman**, Arcola, IL (US);
Marco Bizzotto, Padua (IT)

(73) Assignee: **The Libman Company**, Arcola, IL (US)

(**) Term: **14 Years**

(21) Appl. No.: **29/408,866**

(22) Filed: **Dec. 16, 2011**

(51) **LOC (10) Cl.** **04-01**

(52) **U.S. Cl.**
USPC **D32/50; D32/51**

(58) **Field of Classification Search**
USPC D32/40-45, 50-52; 15/118, 244.1,
15/244.2, 244.3, 244.4, 116.1, 116.2,
15/119.1, 119.2, 104.9, 228, 229.2, 229.4;
401/135-140

See application file for complete search history.

(56) **References Cited**

U.S. PATENT DOCUMENTS

4,044,419	A	*	8/1977	Robinson	15/119.2
D280,769	S	*	9/1985	Johnson et al.	D32/44
D295,912	S	*	5/1988	Jones et al.	D32/44
D302,759	S	*	8/1989	Batchelor	D32/44
D389,625	S	*	1/1998	Feldman et al.	D32/49
D480,564	S	*	10/2003	Petner	D4/199

D482,202	S	*	11/2003	Newman et al.	D4/121
6,785,927	B2	*	9/2004	Lesley et al.	15/119.1
D497,230	S	*	10/2004	Berti	D32/50
D531,367	S	*	10/2006	Hay	D32/44
D564,161	S	*	3/2008	Talesfore et al.	D32/41
D597,718	S	*	8/2009	McNeil et al.	D32/45
D606,270	S	*	12/2009	Weis et al.	D32/50
D607,169	S	*	12/2009	Weis et al.	D32/50
D613,013	S	*	3/2010	Renner	D32/51
7,748,074	B2	*	7/2010	Guizzi	15/245
D642,761	S	*	8/2011	Weaver et al.	D32/50
D661,040	S	*	5/2012	Pellacini	D32/50

* cited by examiner

Primary Examiner — John Windmuller

(74) *Attorney, Agent, or Firm* — Banner & Witcoff, Ltd.

(57) **CLAIM**

The ornamental design for a bracket, as shown and described.

DESCRIPTION

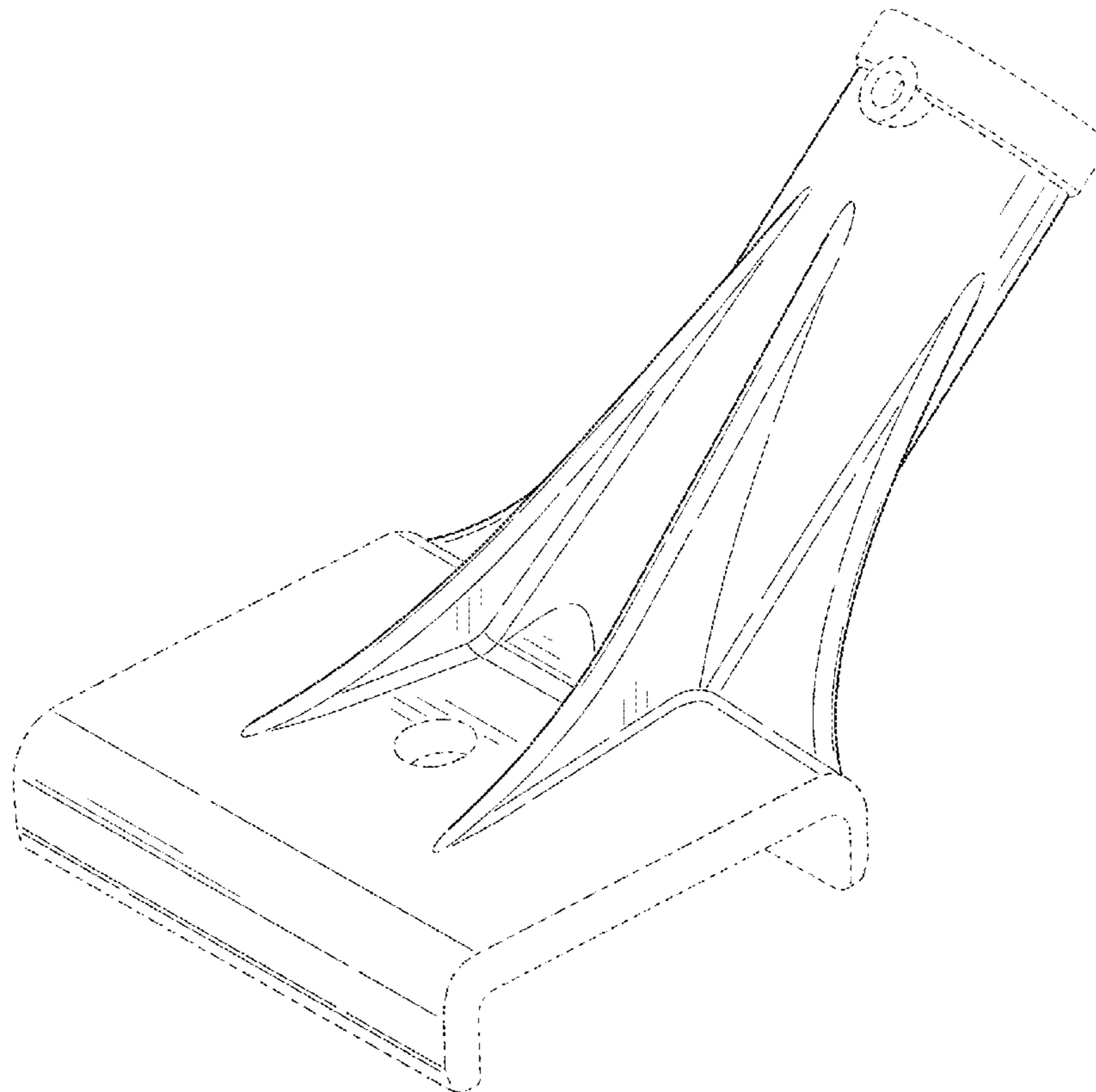
FIG. 1 is a top, front, right perspective view of a bracket showing our new design;

FIG. 2 is a front view thereof; and,

FIG. 3 is a top view thereof.

The uneven-length broken lines represent unclaimed boundaries of the claimed design. The even-length broken lines showing the remainder of the bracket are for environmental purposes only and form no part of the claimed design.

1 Claim, 3 Drawing Sheets



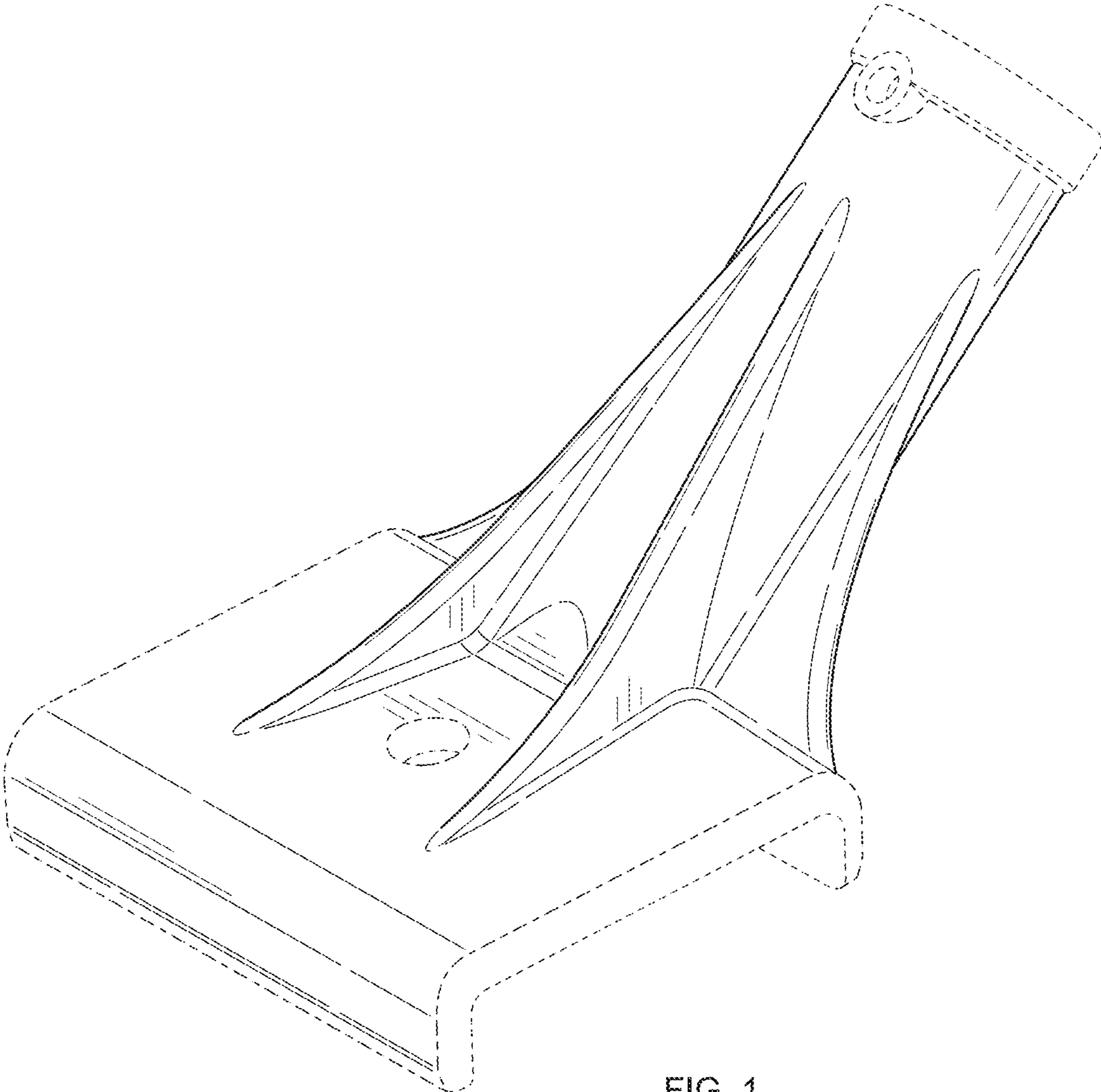


FIG. 1

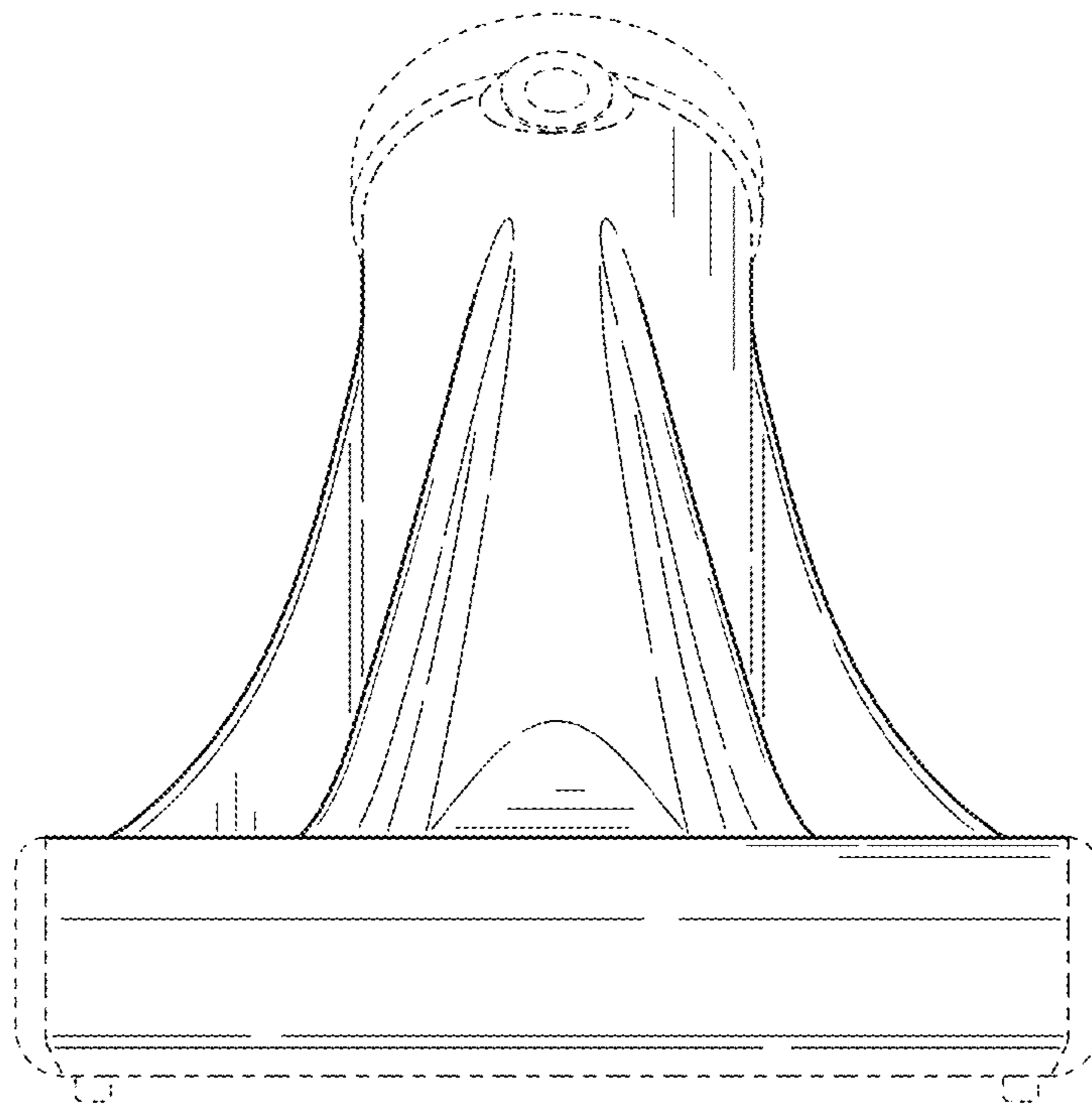


FIG. 2

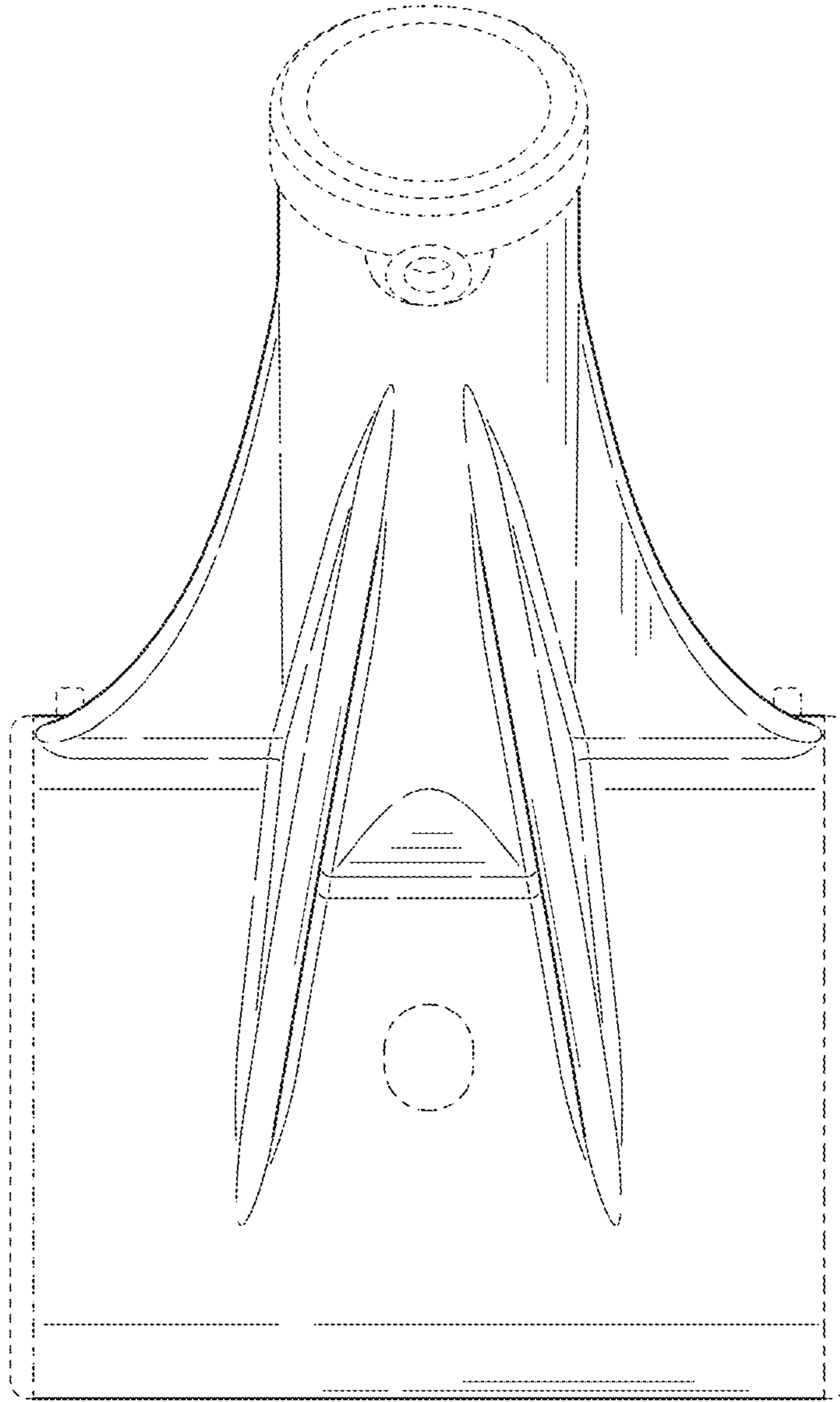


FIG. 3