



US00D704404S

(12) **United States Design Patent**  
**Vitucci-Schneider**

(10) **Patent No.:** **US D704,404 S**

(45) **Date of Patent:** **\*\* May 6, 2014**

(54) **SPONGE**

(71) Applicant: **Christine Vitucci-Schneider**, Bartlett,  
IL (US)

(72) Inventor: **Christine Vitucci-Schneider**, Bartlett,  
IL (US)

(\*\*) Term: **14 Years**

(21) Appl. No.: **29/454,778**

(22) Filed: **May 14, 2013**

(51) **LOC (10) Cl.** ..... **04-01**

(52) **U.S. Cl.**  
USPC ..... **D32/40**

(58) **Field of Classification Search**  
USPC ..... D32/40, 45, 50, 51; 15/228, 119.2,  
15/210.1, 229.3, 229.4, 208, 209.1,  
15/244.1-244.4; 401/137-140  
See application file for complete search history.

(56) **References Cited**

**U.S. PATENT DOCUMENTS**

1,621,550	A *	3/1927	Lehr	.....	15/244.4
2,030,911	A	2/1936	Borden		
3,038,187	A *	6/1962	Nathanson	.....	15/118
3,972,325	A	8/1976	Bluestone		
4,282,891	A	8/1981	Duceppe		
4,446,965	A	5/1984	Montiel		
4,671,306	A	6/1987	Spector		
4,866,806	A	9/1989	Bedford		
4,964,372	A	10/1990	Zeenni et al.		
5,054,503	A	10/1991	Keller		
5,065,778	A	11/1991	Terrell		
D392,433	S *	3/1998	Norris	.....	D32/45
5,791,008	A	8/1998	Crabtree		
6,305,047	B1	10/2001	Armaly, Jr. et al.		

D483,916	S *	12/2003	Crosswaite	.....	D32/40
D589,220	S *	3/2009	Leahy et al.	.....	D32/40
2008/0155726	A1	7/2008	Anclien		
2009/0276971	A1	11/2009	Nozari		
2010/0037413	A1	2/2010	Tyler		

**FOREIGN PATENT DOCUMENTS**

FR	2495907	6/1982
JP	10043085	2/1998
JP	2002316621	10/2002

**OTHER PUBLICATIONS**

U.S. Appl. No. 13/827,598, filed Mar. 14, 2013 (Vitucci-Schneider, Christine).

U.S. Appl. No. 29/449,996, filed Mar. 15, 2013 (Vitucci-Schneider, Christine).

\* cited by examiner

*Primary Examiner* — Robin V Webster

(74) *Attorney, Agent, or Firm* — McDonnell Boehnen Hulbert & Berghoff LLP

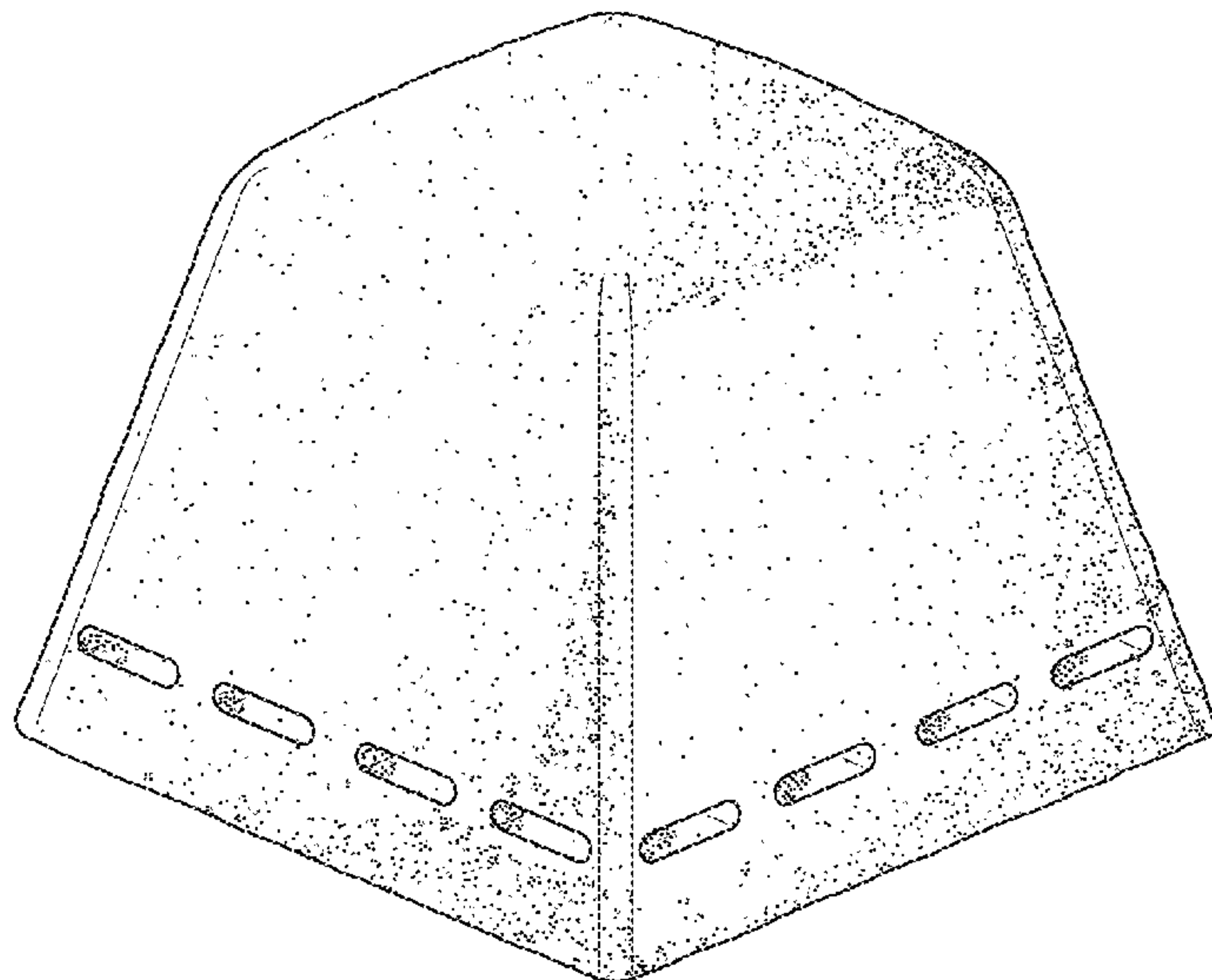
(57) **CLAIM**

The ornamental design for a sponge, as shown and described.

**DESCRIPTION**

FIG. 1 is a perspective view of a sponge;  
FIG. 2 is a front view of the sponge shown in FIG. 1;  
FIG. 3 is a rear view of the sponge shown in FIG. 1;  
FIG. 4 is a right side view of the sponge shown in FIG. 1;  
FIG. 5 is a left side view of the sponge shown in FIG. 1;  
FIG. 6 is a top view of the sponge shown in FIG. 1; and,  
FIG. 7 is a bottom view of the sponge shown in FIG. 1.

**1 Claim, 4 Drawing Sheets**



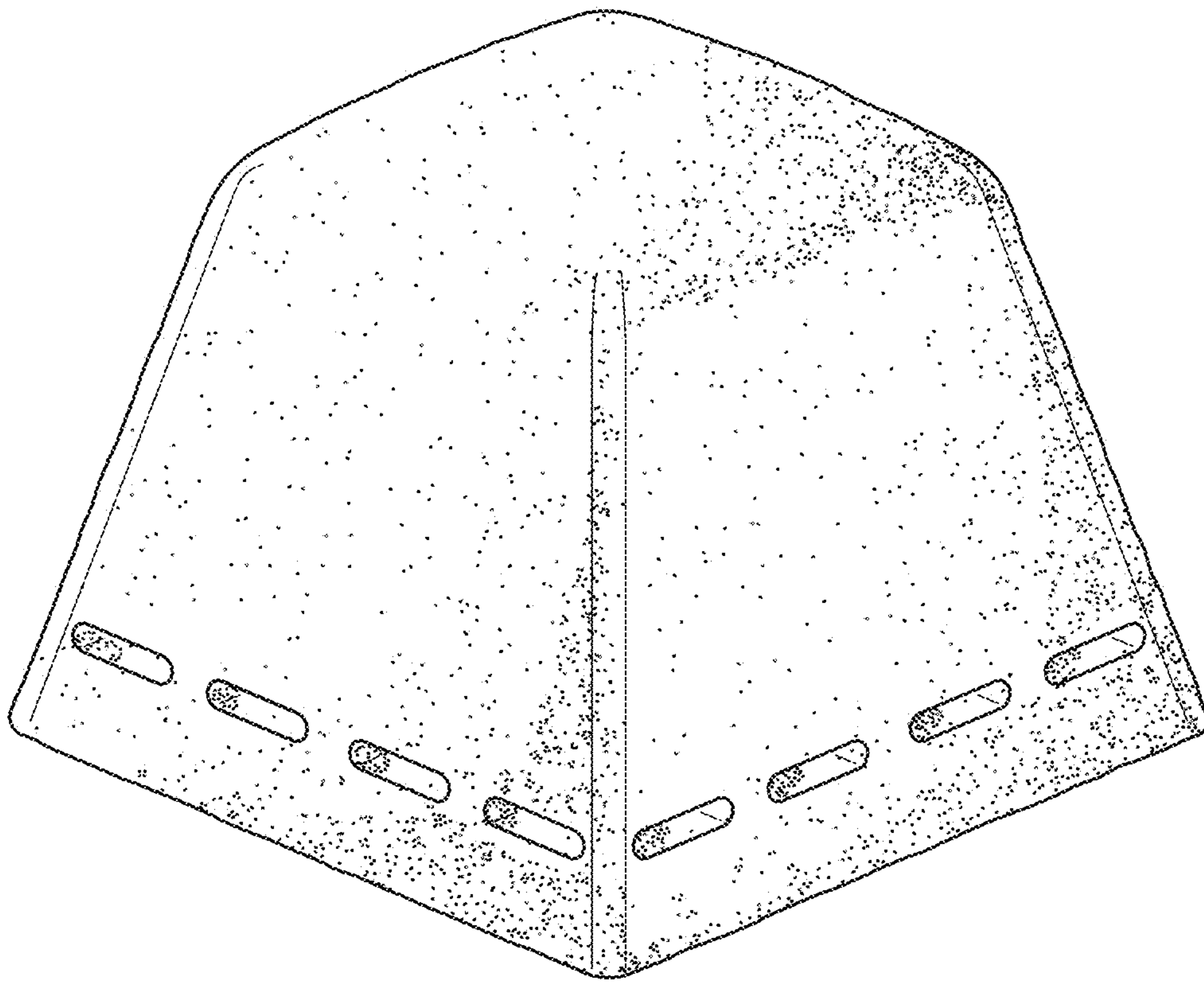


FIG. 1

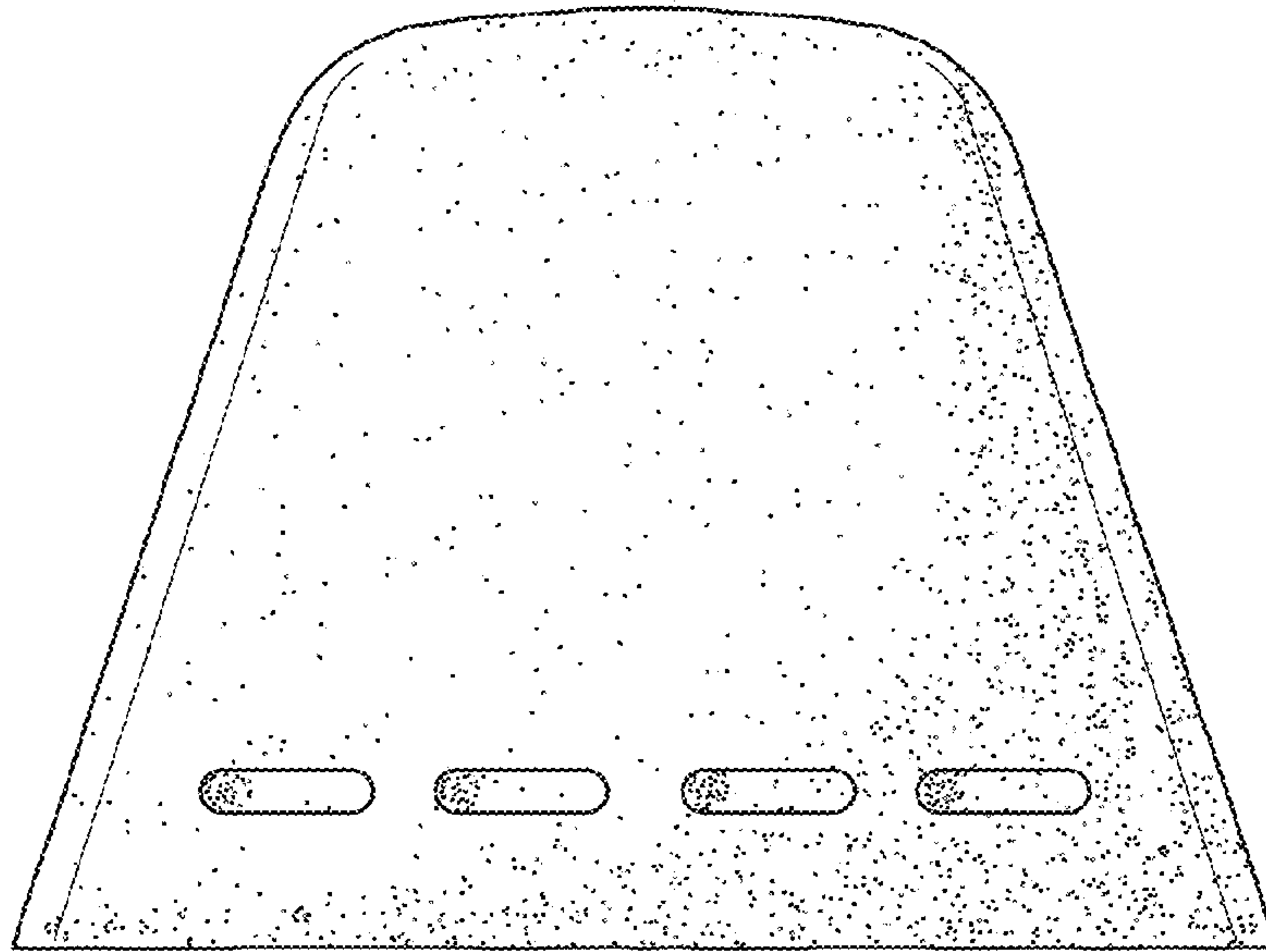


FIG. 2

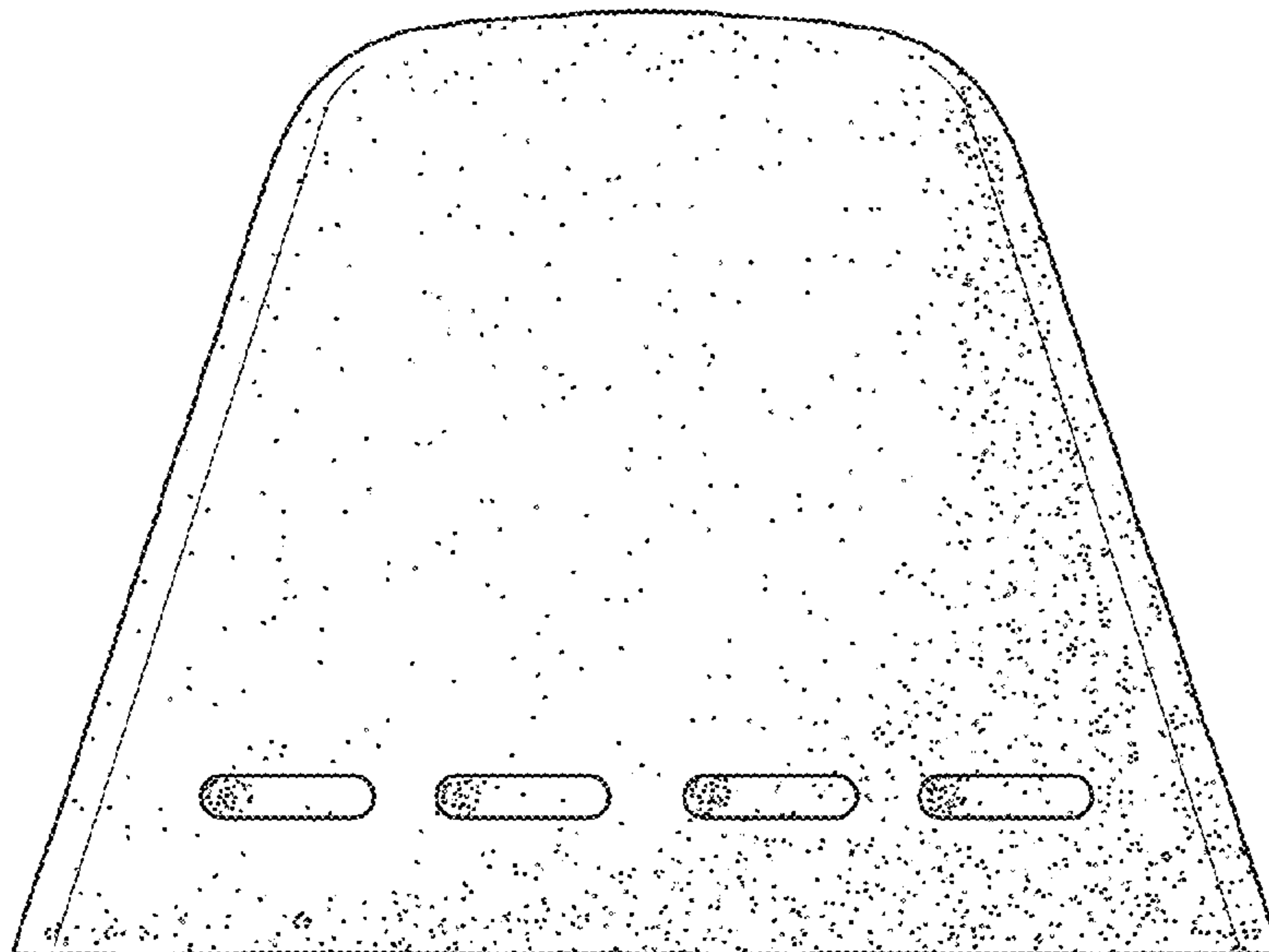


FIG. 3

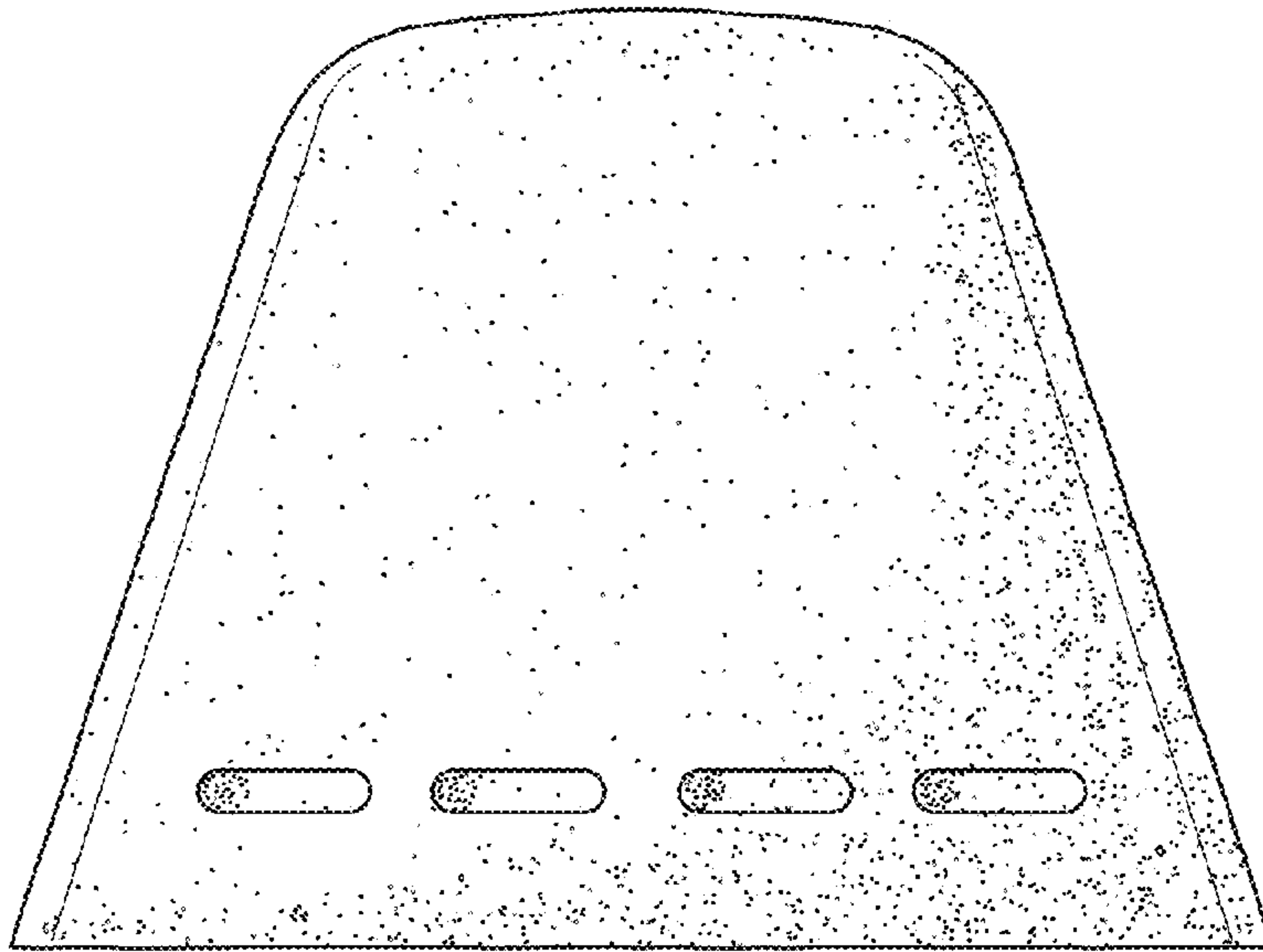


FIG. 4

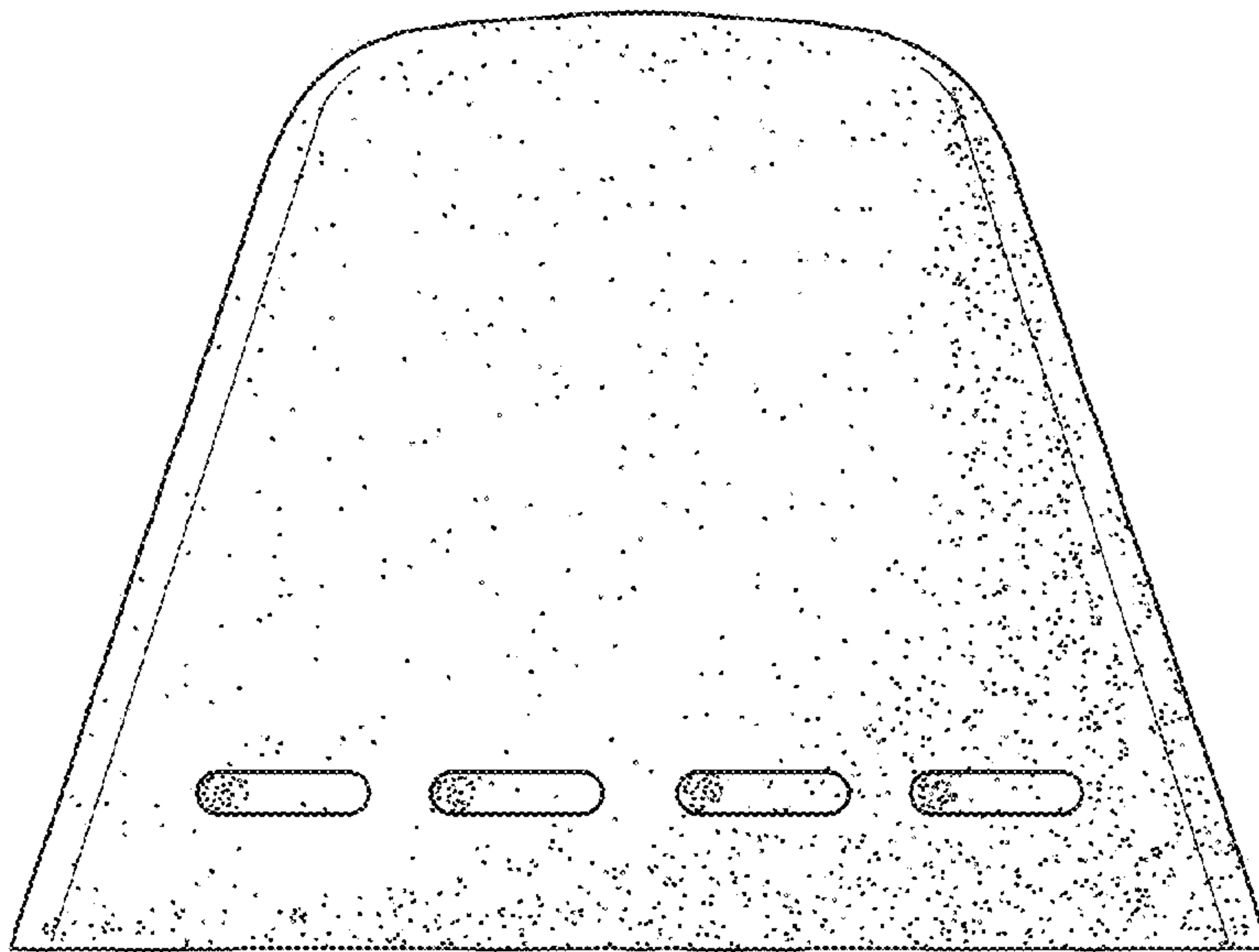


FIG. 5



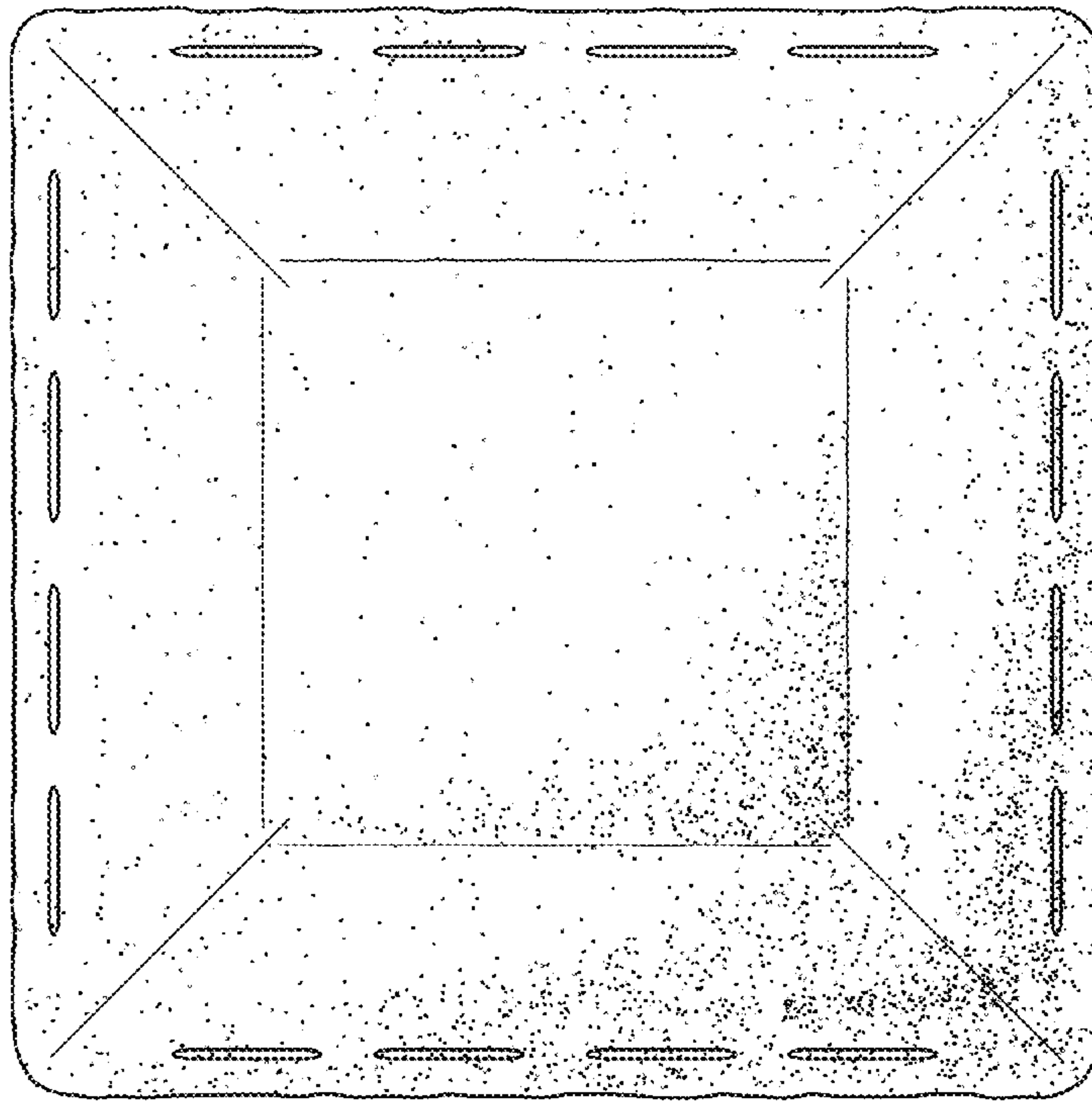


FIG. 6

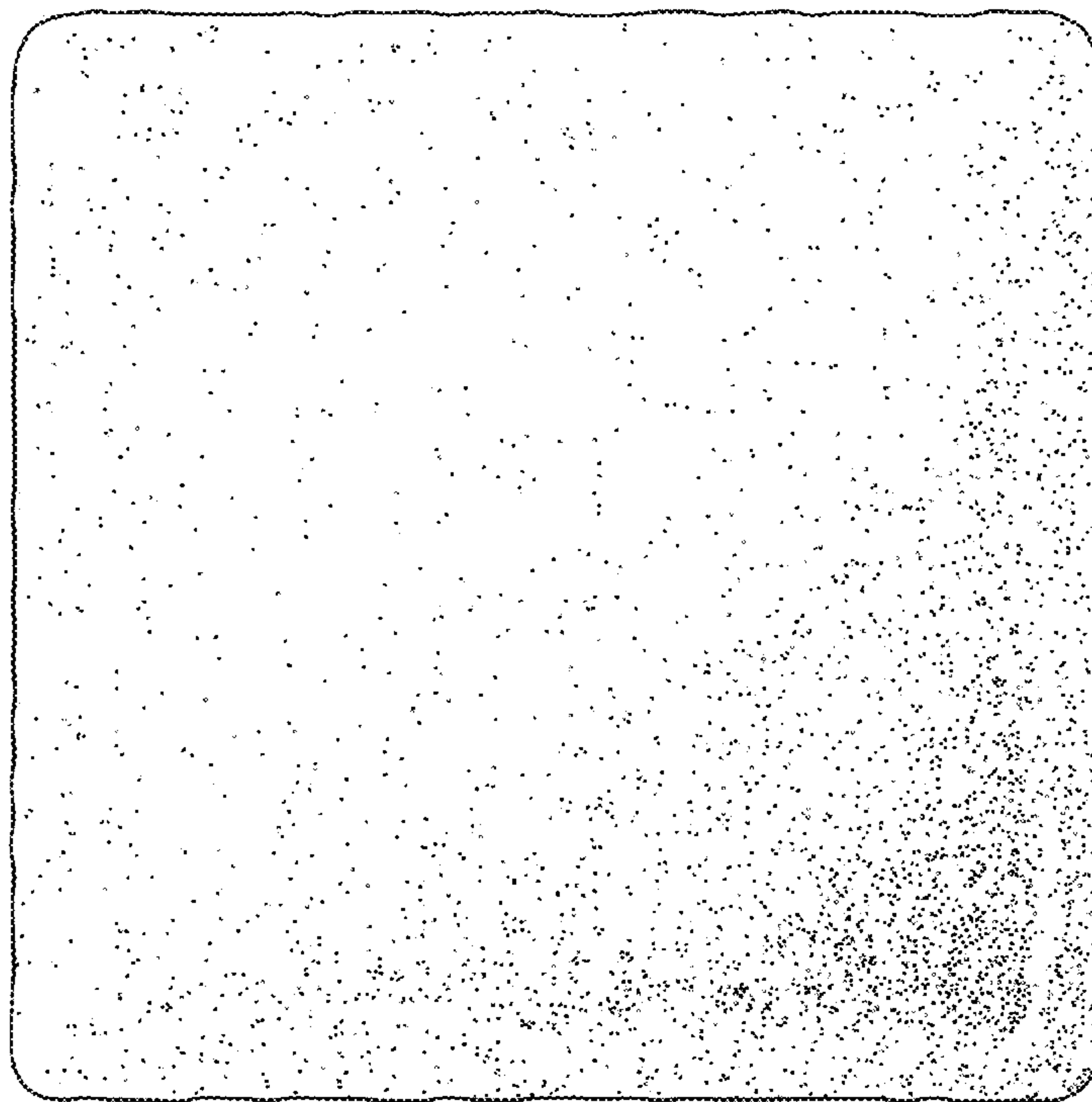


FIG. 7