



US00D704401S

(12) **United States Design Patent**
Kim et al.

(10) **Patent No.:** **US D704,401 S**
(45) **Date of Patent:** **** May 6, 2014**

(54) **NOZZLE FOR VACUUM CLEANER**

(75) Inventors: **Hyo Sung Kim**, Seoul (KR); **Jae Hun Chung**, Seoul (KR); **Seung Hyun Song**, Bucheon-si (KR)

(73) Assignee: **LG Electronics Inc.**, Seoul (KR)

(**) Term: **14 Years**

(21) Appl. No.: **29/410,464**

(22) Filed: **Jan. 9, 2012**

(30) **Foreign Application Priority Data**

Jul. 22, 2011 (KR) 30-2011-0030718

(51) **LOC (10) Cl.** **15-05**

(52) **U.S. Cl.**
USPC **D32/32**

(58) **Field of Classification Search**

USPC D32/21, 22, 31-34, 17, 42, 45, 50;
15/1.7, 415.1, 416-422.1, 414, 322,
15/353, 400, 327.1, 319, 366, 383, 179,
15/182, 41.1, 320, 403

See application file for complete search history.

(56) **References Cited**

U.S. PATENT DOCUMENTS

D439,383 S * 3/2001 Salo et al. D32/32
D506,047 S * 6/2005 Alford et al. D32/32
D553,314 S * 10/2007 Parr et al. D32/32

D571,066 S * 6/2008 Luebbering D32/32
D593,266 S * 5/2009 Baek D32/32
D597,267 S * 7/2009 Santiago D32/32
D605,371 S * 12/2009 Baek D32/32
D622,461 S * 8/2010 Hill D32/32
D622,462 S * 8/2010 Santiago et al. D32/32
D622,464 S * 8/2010 Luyckx et al. D32/32
D623,368 S * 9/2010 Benacquisto et al. D32/32
D644,802 S * 9/2011 Park et al. D32/32
2009/0144928 A1 * 6/2009 Yoo 15/327.1

* cited by examiner

Primary Examiner — Ruth McInroy

(74) *Attorney, Agent, or Firm* — Morgan, Lewis & Bockius LLP

(57) **CLAIM**

We claim the ornamental design for a nozzle for vacuum cleaner, as shown and described.

DESCRIPTION

FIG. 1 is a perspective view of a nozzle for vacuum cleaner showing our new design:

FIG. 2 is a front elevation view thereof;

FIG. 3 is a rear elevation view thereof;

FIG. 4 is a left-side elevation view thereof;

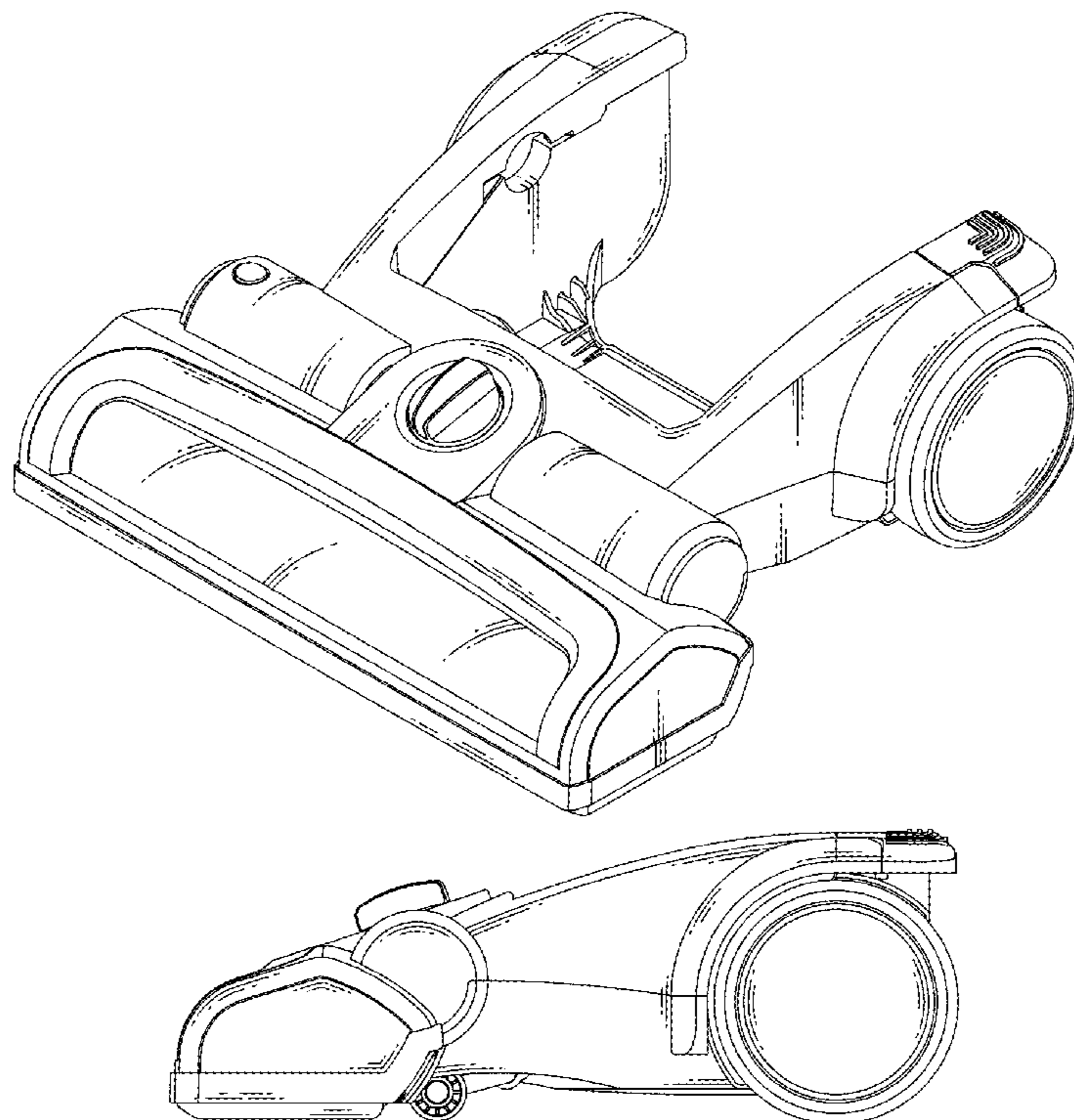
FIG. 5 is a right-side elevation view thereof;

FIG. 6 is a top plan view thereof; and,

FIG. 7 is a bottom plan view thereof.

The broken lines in the drawings are included for the purpose of illustrating portions of the nozzle for a vacuum cleaner that form no part of the claimed design.

1 Claim, 5 Drawing Sheets



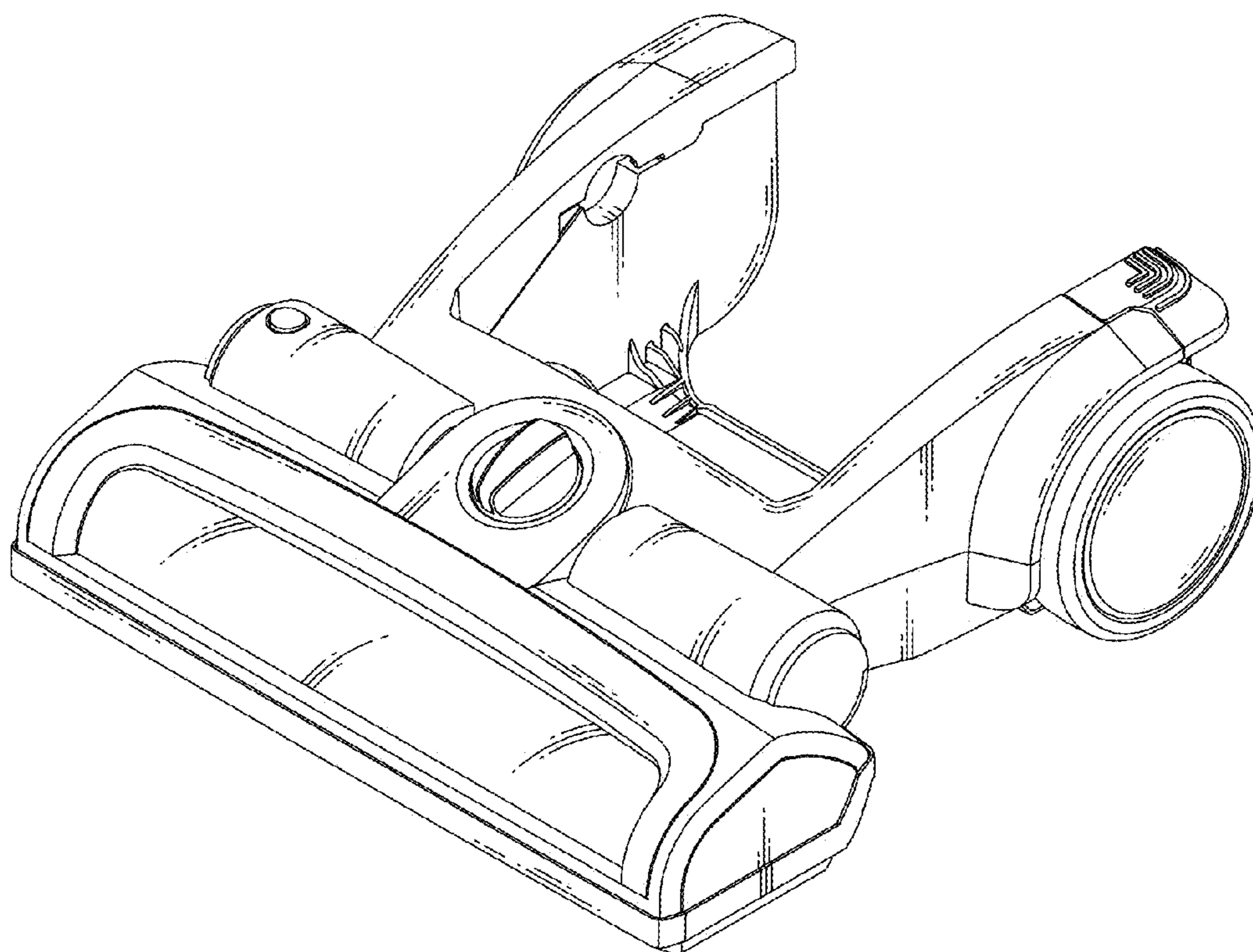


FIG. 1

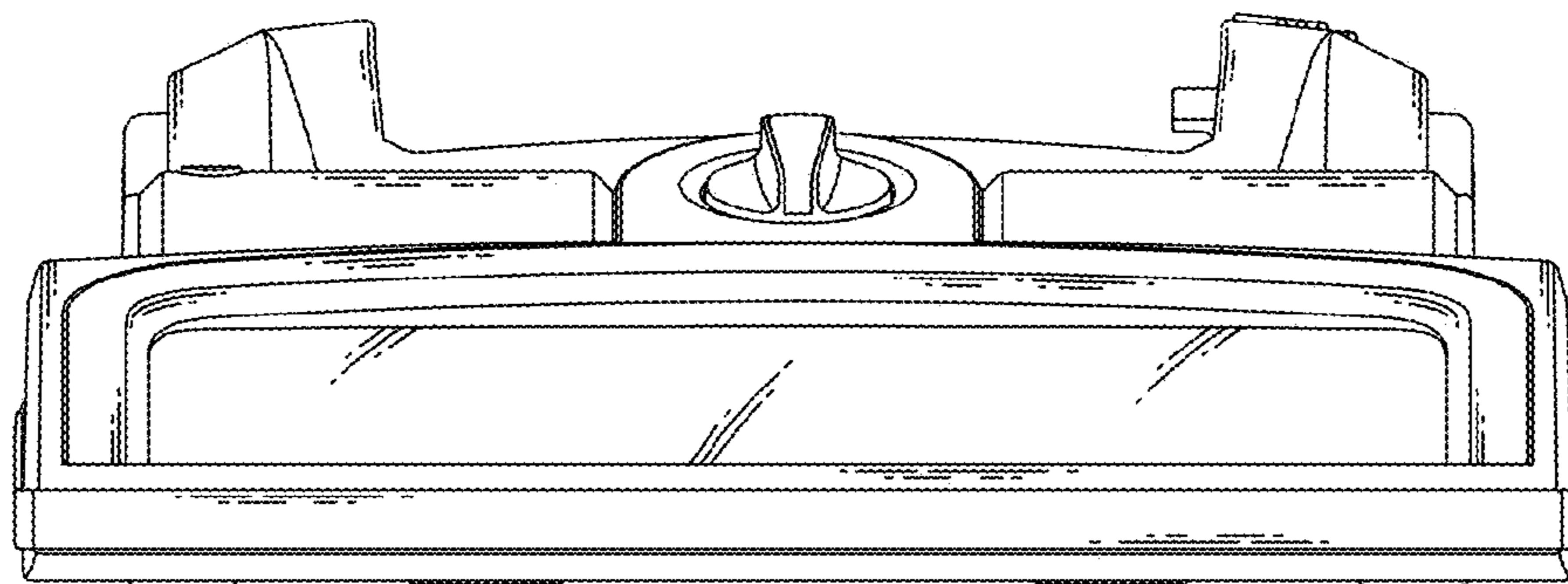


FIG. 2

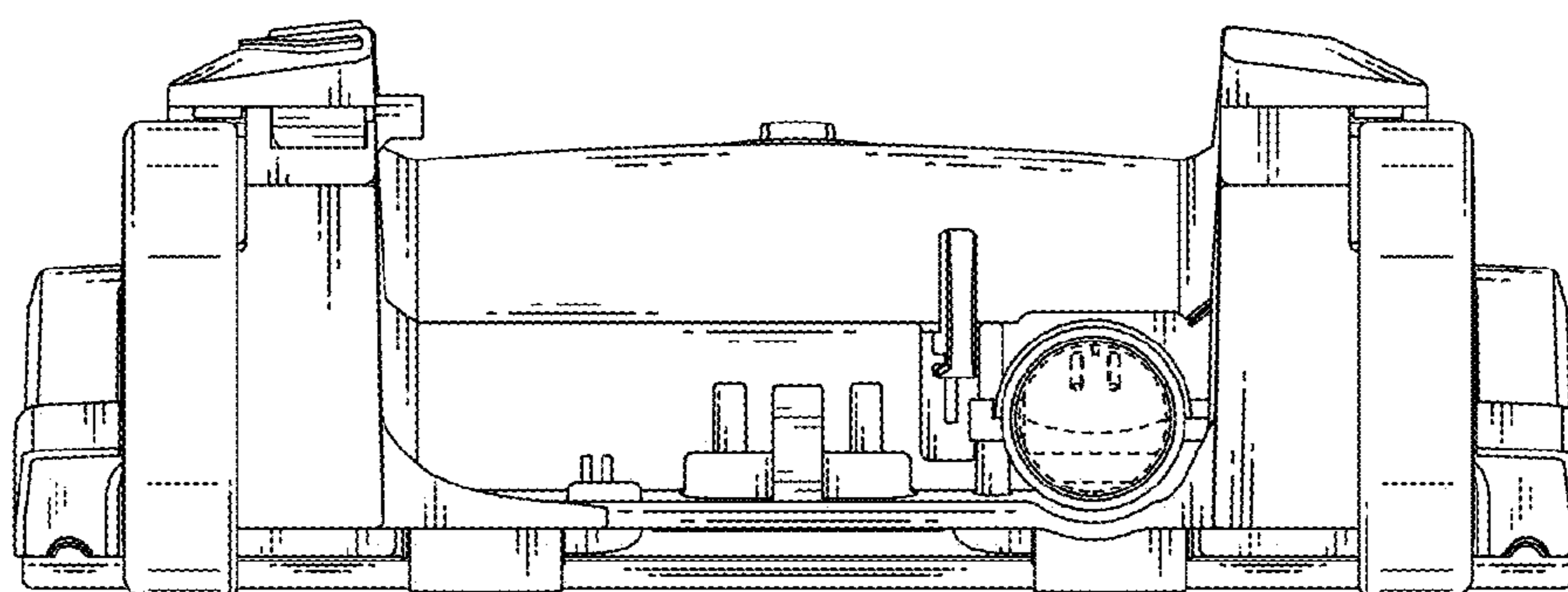


FIG. 3

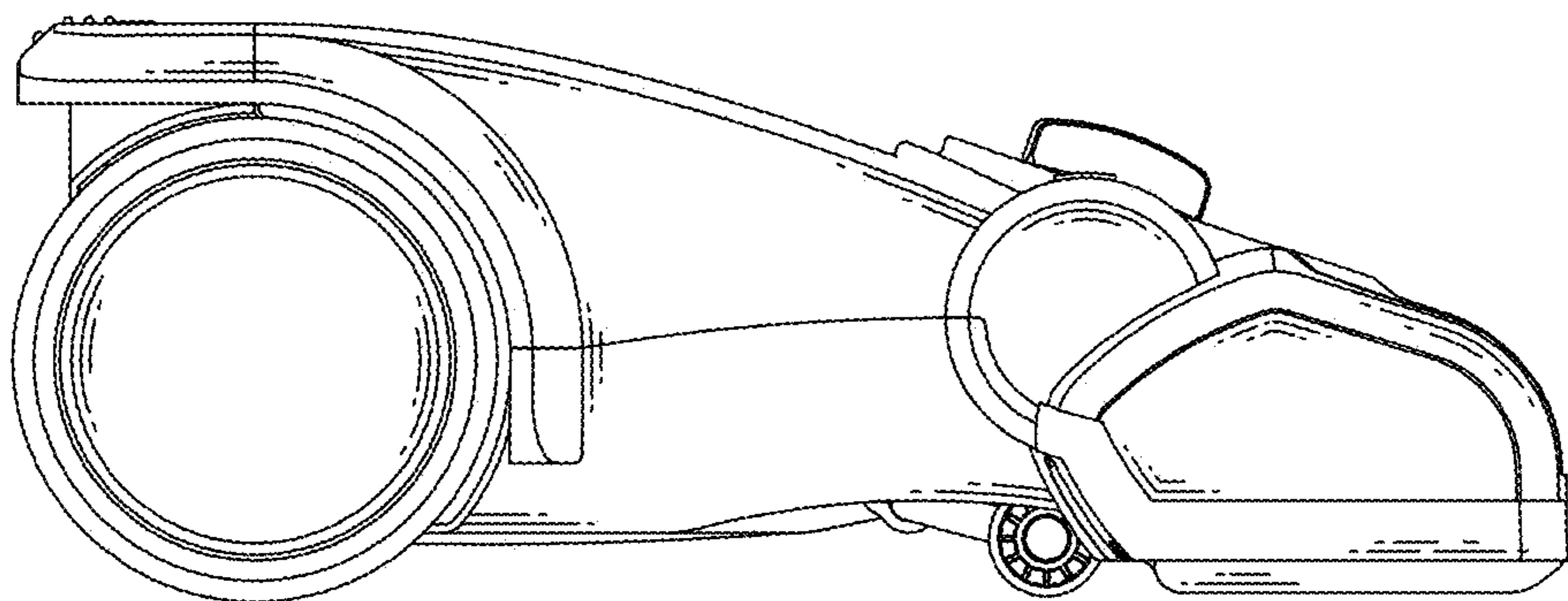


FIG. 4

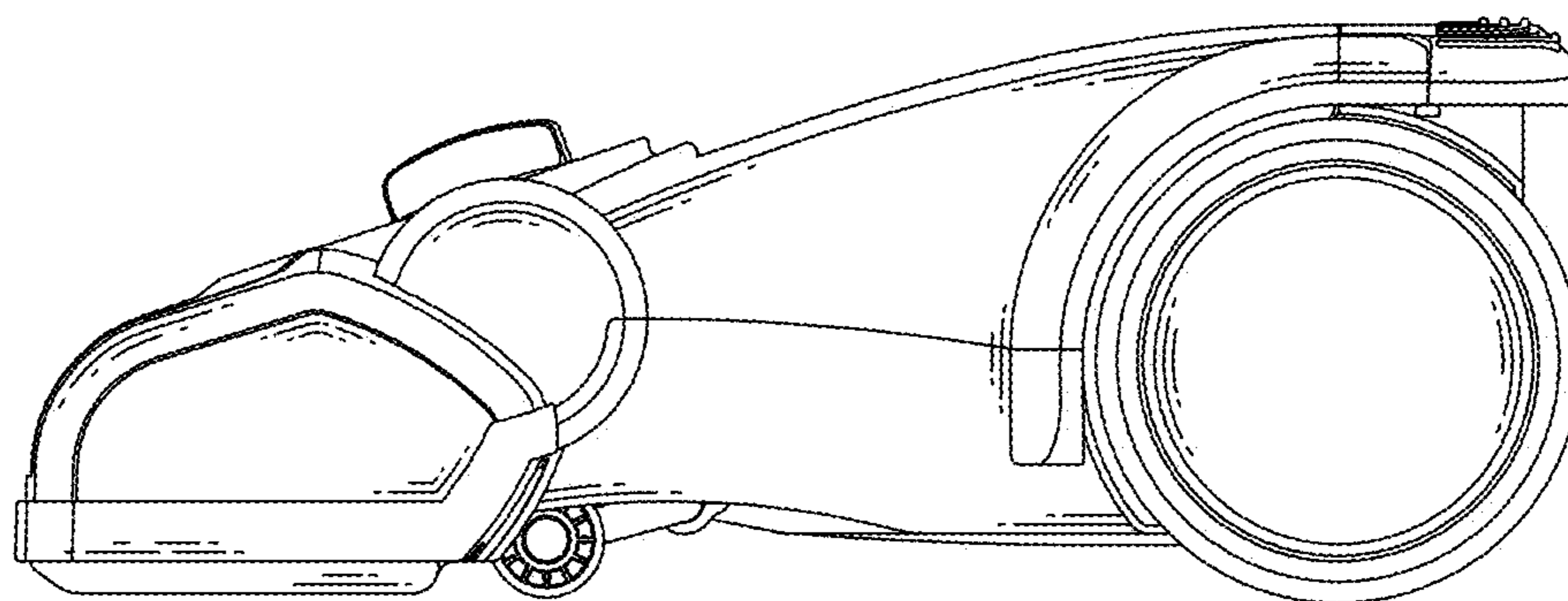


FIG. 5

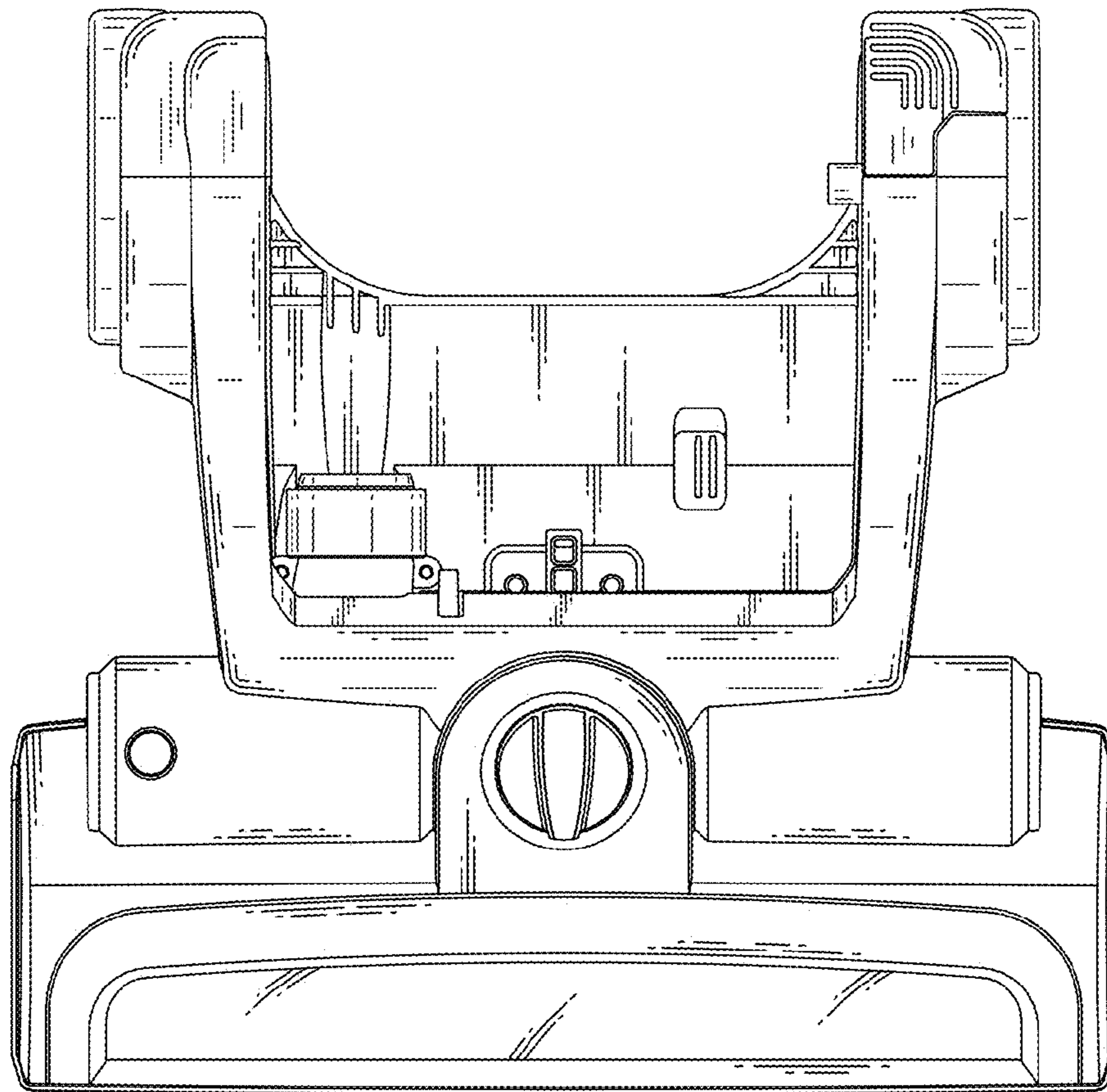


FIG. 6

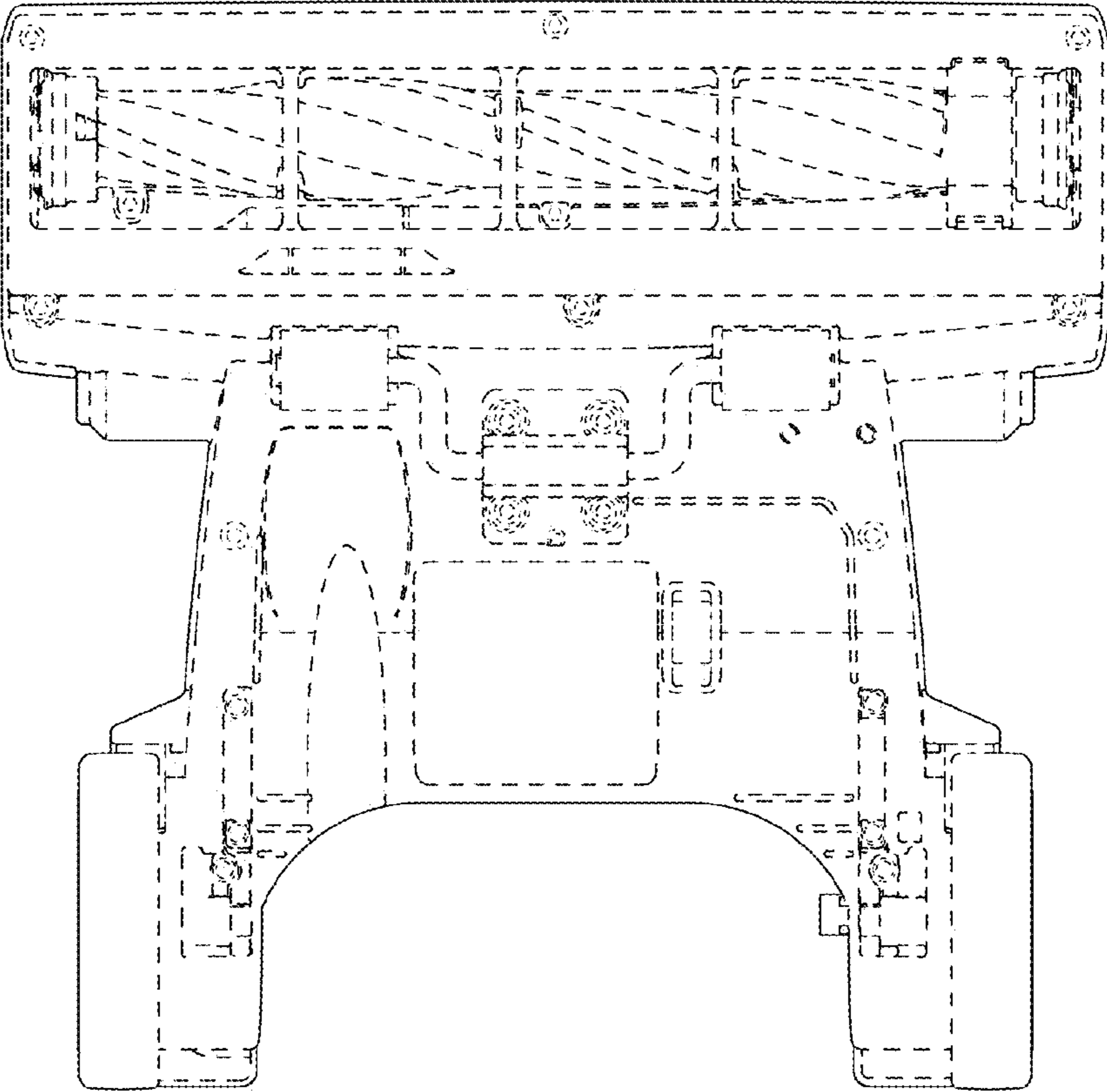


FIG. 7