



US00D704400S

(12) **United States Design Patent**
Shin et al.

(10) **Patent No.:** **US D704,400 S**
(45) **Date of Patent:** **** May 6, 2014**

(54) **ROBOT VACUUM CLEANER**

(75) Inventors: **Hyunseon Shin**, Gyeonggi-do (KR);
Yonggyun Ghim, Seoul (KR); **Hanjin Jung**, Seoul (KR)

(73) Assignee: **LG Electronics Inc.**, Seoul (KR)

(**) Term: **14 Years**

(21) Appl. No.: **29/415,978**

(22) Filed: **Mar. 16, 2012**

(30) **Foreign Application Priority Data**

Oct. 6, 2011 (KR) 30-2011-0041256

(51) **LOC (10) Cl.** **15-05**

(52) **U.S. Cl.**
USPC **D32/21**

(58) **Field of Classification Search**
USPC D32/17-21, 23, 31-33; 15/319-322,
15/307, 327.1, 327.5-327.7, 353,
15/415.1-422, 422.1, 329.366, 383, 384,
15/400, 340.2, 52.2, 50.2
See application file for complete search history.

(56) **References Cited**

U.S. PATENT DOCUMENTS

D527,854 S *	9/2006	Marzynski	D32/21
D548,411 S *	8/2007	Schroter	D32/21
D548,902 S *	8/2007	Chun et al.	D32/21
D548,903 S *	8/2007	Chun et al.	D32/21
D551,815 S *	9/2007	Schroeter	D32/21

D556,961 S *	12/2007	Swyst et al.	D32/21
D593,265 S *	5/2009	Carr et al.	D32/21
D596,815 S *	7/2009	Baek	D32/21
D625,059 S *	10/2010	Morenstein et al.	D32/21
D658,341 S *	4/2012	Nam et al.	D32/21
D659,920 S *	5/2012	Lee et al.	D32/21
D660,132 S *	5/2012	Yoder et al.	D8/354
D661,439 S *	6/2012	Lee et al.	D32/21
D661,440 S *	6/2012	Lee et al.	D32/21
D665,547 S *	8/2012	Nam et al.	D32/21
D669,235 S *	10/2012	Bassett et al.	D32/21
D670,877 S *	11/2012	Geringer et al.	D32/21

* cited by examiner

Primary Examiner — Ruth McInroy

(74) *Attorney, Agent, or Firm* — Morgan, Lewis & Bockius LLP

(57) **CLAIM**

The ornamental design for a robot vacuum cleaner, as shown and described.

DESCRIPTION

FIG. 1 is a front, right side, perspective view of a robot vacuum cleaner showing our new design;
FIG. 2 is a front view thereof;
FIG. 3 is a rear view thereof;
FIG. 4 is a left side view thereof;
FIG. 5 is a right side view thereof; and,
FIG. 6 is a top view thereof.
The bottom view, which is omitted, forms no part of the claimed design.

1 Claim, 3 Drawing Sheets

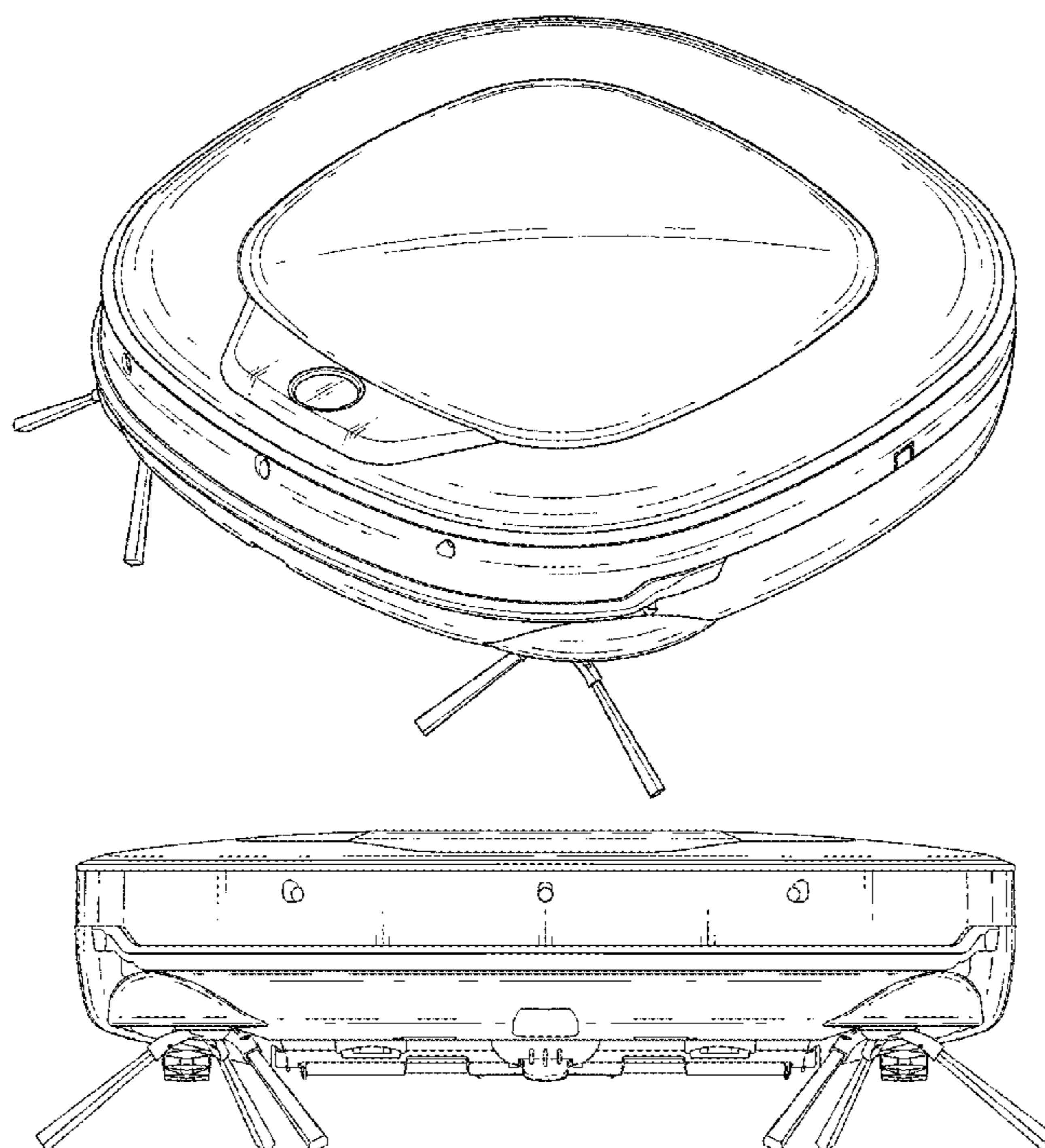


FIG. 1

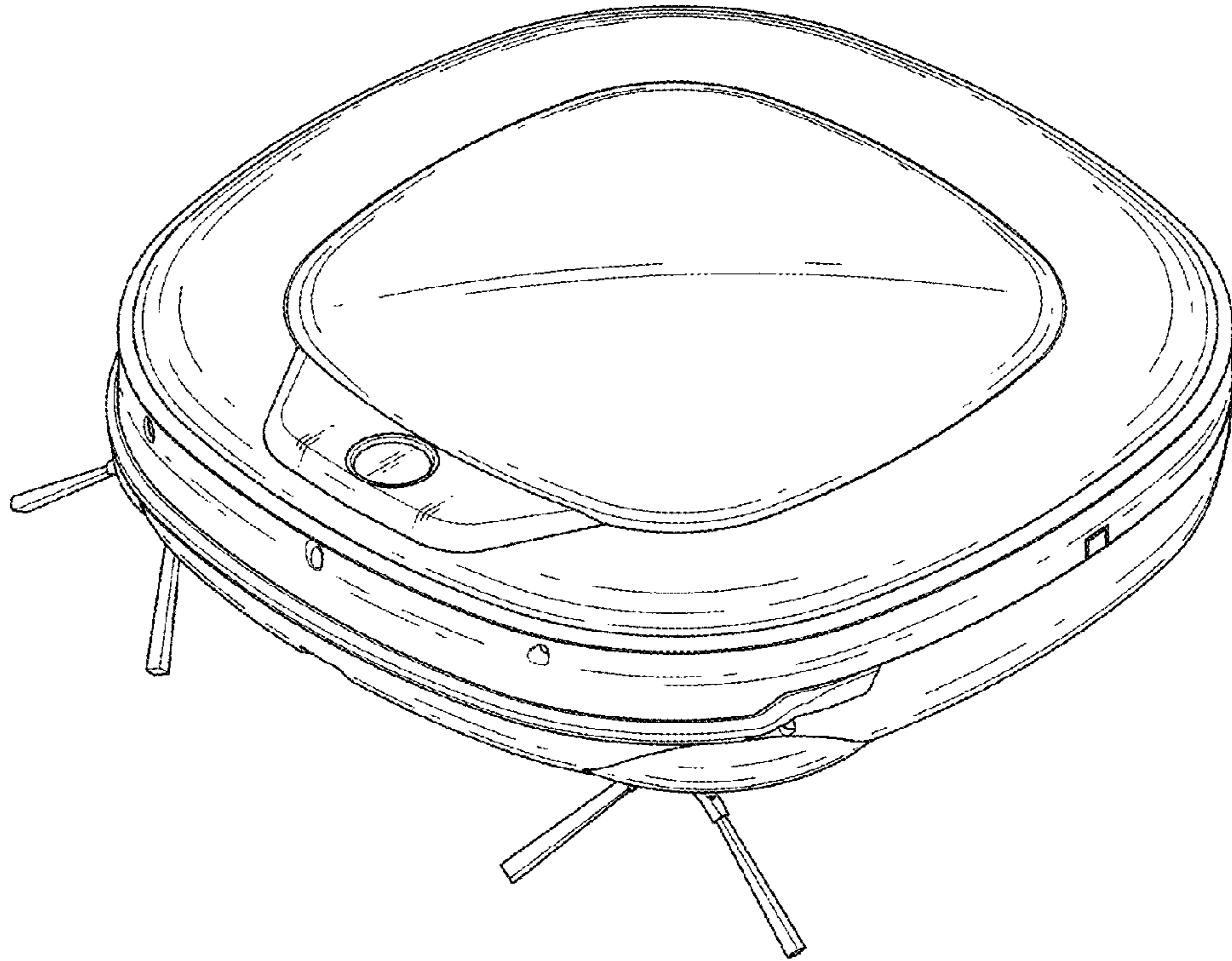


FIG. 2

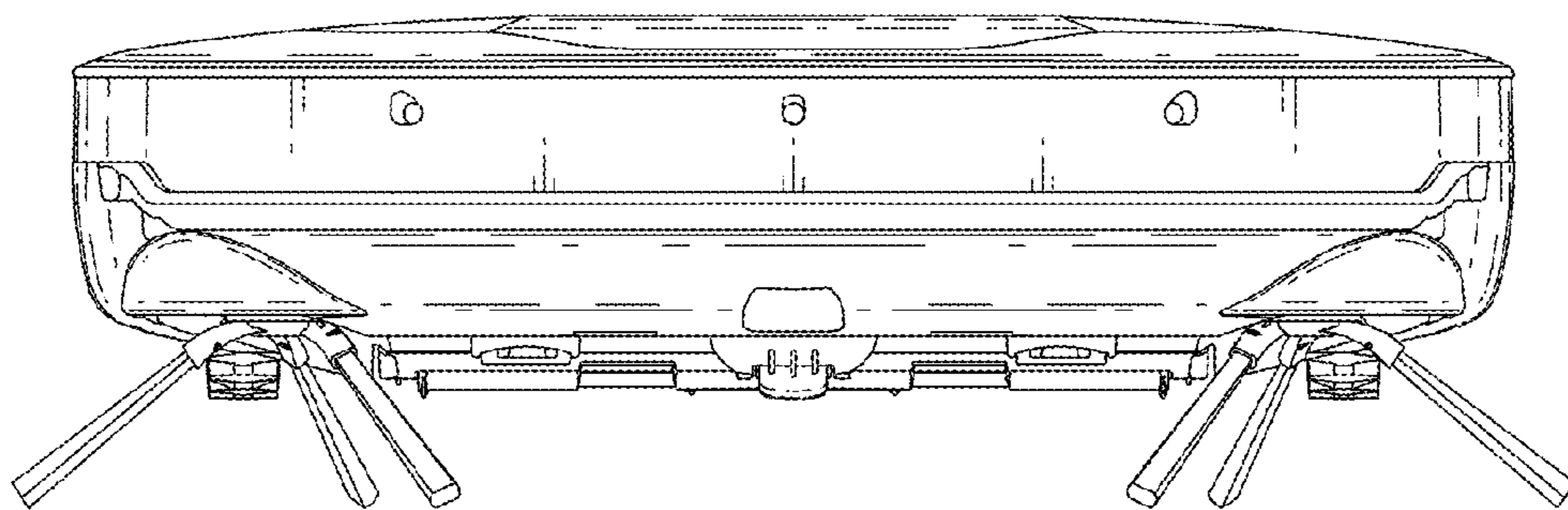


FIG. 3

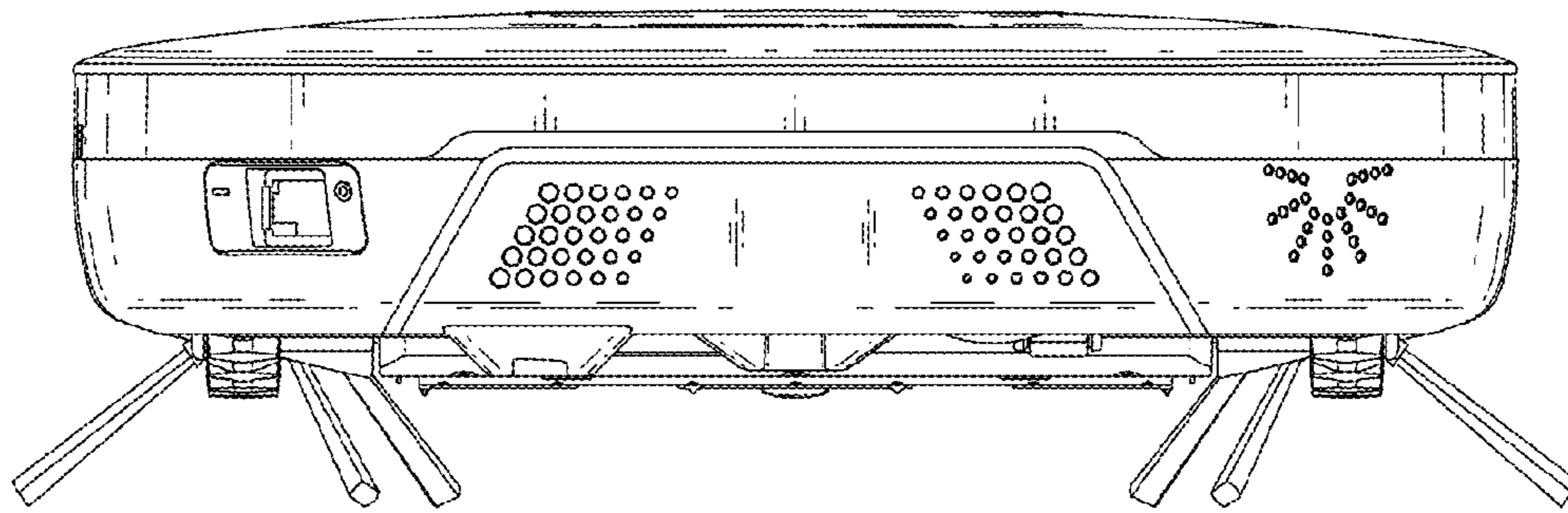


FIG. 4

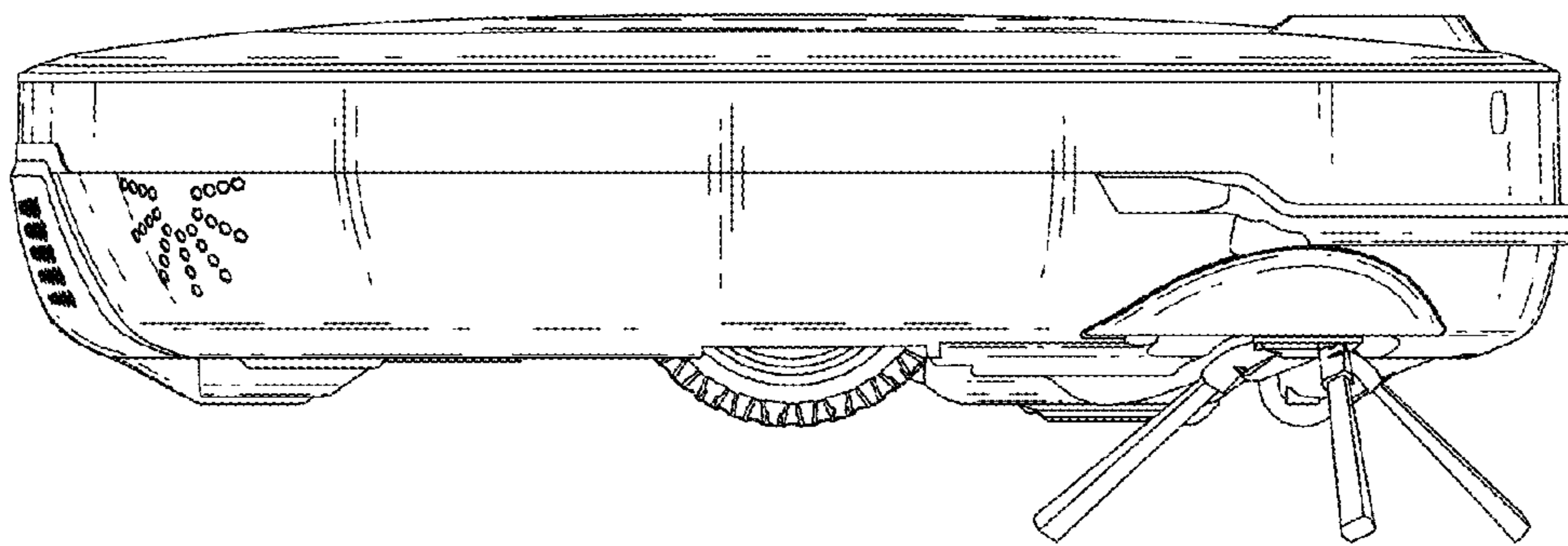


FIG. 5

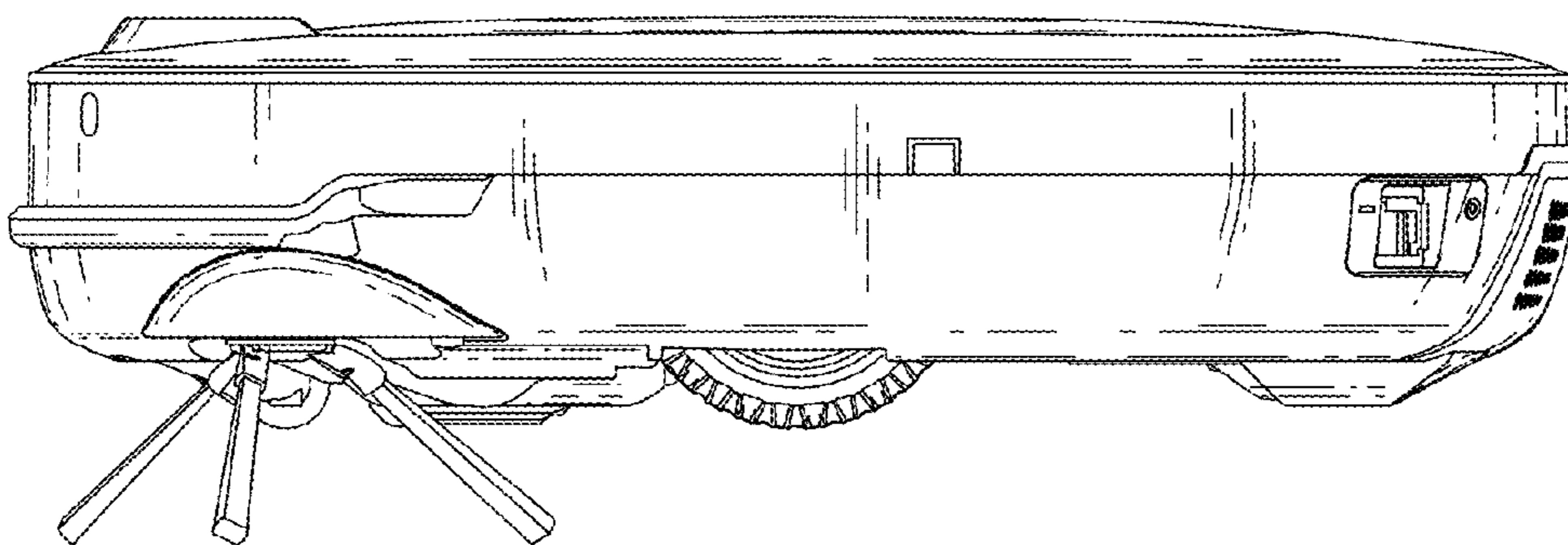


FIG. 6

