



US00D704394S

(12) **United States Design Patent**
Hamilton et al.

(10) **Patent No.:** **US D704,394 S**

(45) **Date of Patent:** **** May 6, 2014**

(54) **CAT SCRATCHER**

(71) Applicant: **Cat Claws, Inc.**, Morrilton, AR (US)

(72) Inventors: **Kristie Hamilton**, Morrilton, AR (US);
Bob Marrufo, Oppelo, AR (US); **Tim Gentry**,
Cleveland, AR (US); **Jill Seliskar**, Morrilton, AR (US)

(73) Assignee: **Cat Claws, Inc.**, Morrilton, AR (US)

(**) Term: **14 Years**

(21) Appl. No.: **29/441,954**

(22) Filed: **Jan. 11, 2013**

(51) **LOC (10) Cl.** **30-99**

(52) **U.S. Cl.**
USPC **D30/160**

(58) **Field of Classification Search**
USPC D30/160; 119/702, 706-711
See application file for complete search history.

(56) **References Cited**

U.S. PATENT DOCUMENTS

D627,111 S	*	11/2010	Seliskar	D30/160
D627,524 S	*	11/2010	Seliskar	D30/160
D633,662 S	*	3/2011	Seliskar	D30/160
D651,367 S	*	12/2011	Seliskar et al.	D30/160

D651,770 S	*	1/2012	Seliskar et al.	D30/160
D652,182 S	*	1/2012	Seliskar et al.	D30/160
D655,463 S	*	3/2012	Seliskar et al.	D30/160
D670,873 S	*	11/2012	Seliskar et al.	D30/160

* cited by examiner

Primary Examiner — Cathy A MacCormac

(74) *Attorney, Agent, or Firm* — Dennis B. Haase

(57) **CLAIM**

The ornamental design for a cat scratcher, substantially as shown and described.

DESCRIPTION

FIG. 1 is a perspective view of a cat scratcher;
 FIG. 2 is a top plan view of the cat scratcher of FIG. 1;
 FIG. 3 is a bottom plan view of the cat scratcher of FIG. 1;
 FIG. 4 is a left side elevational view of the cat scratcher of FIG. 1;
 FIG. 5 is a rear elevational view of the cat scratcher of FIG. 1;
 FIG. 6 is a front elevational view of the cat scratcher of FIG. 1;
 FIG. 7 is an exploded perspective view of the cat scratcher of FIG. 1, illustrating the insert removed;
 FIG. 8 is a left side elevational view of the insert of FIG. 7;
 FIG. 9 is a top plan view of the insert of FIG. 7;
 FIG. 10 is a front view of the insert of FIG. 7; and,
 FIG. 11 is a bottom plan view of the insert of FIG. 7.

1 Claim, 2 Drawing Sheets

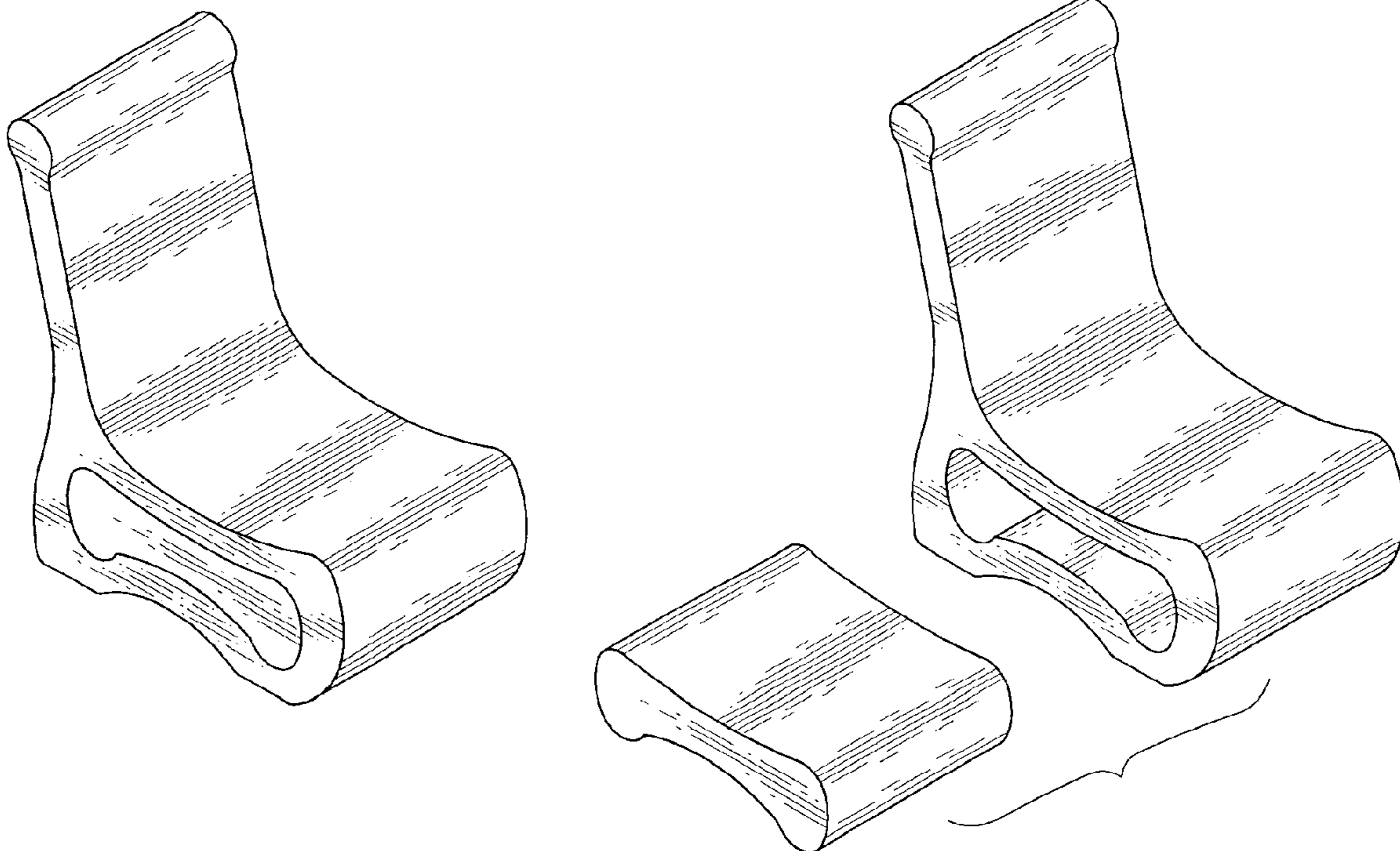




Fig. 1

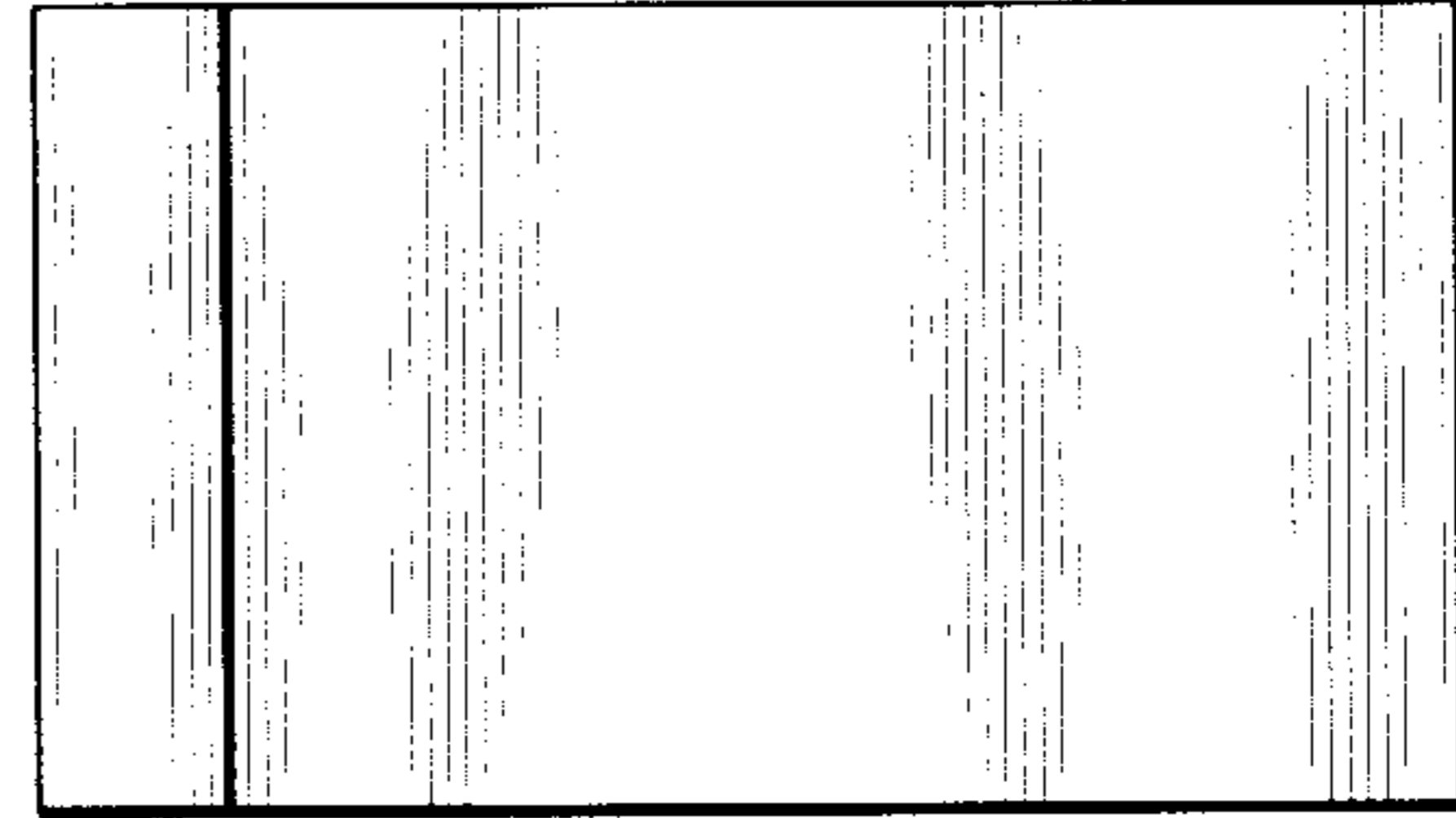


Fig. 2

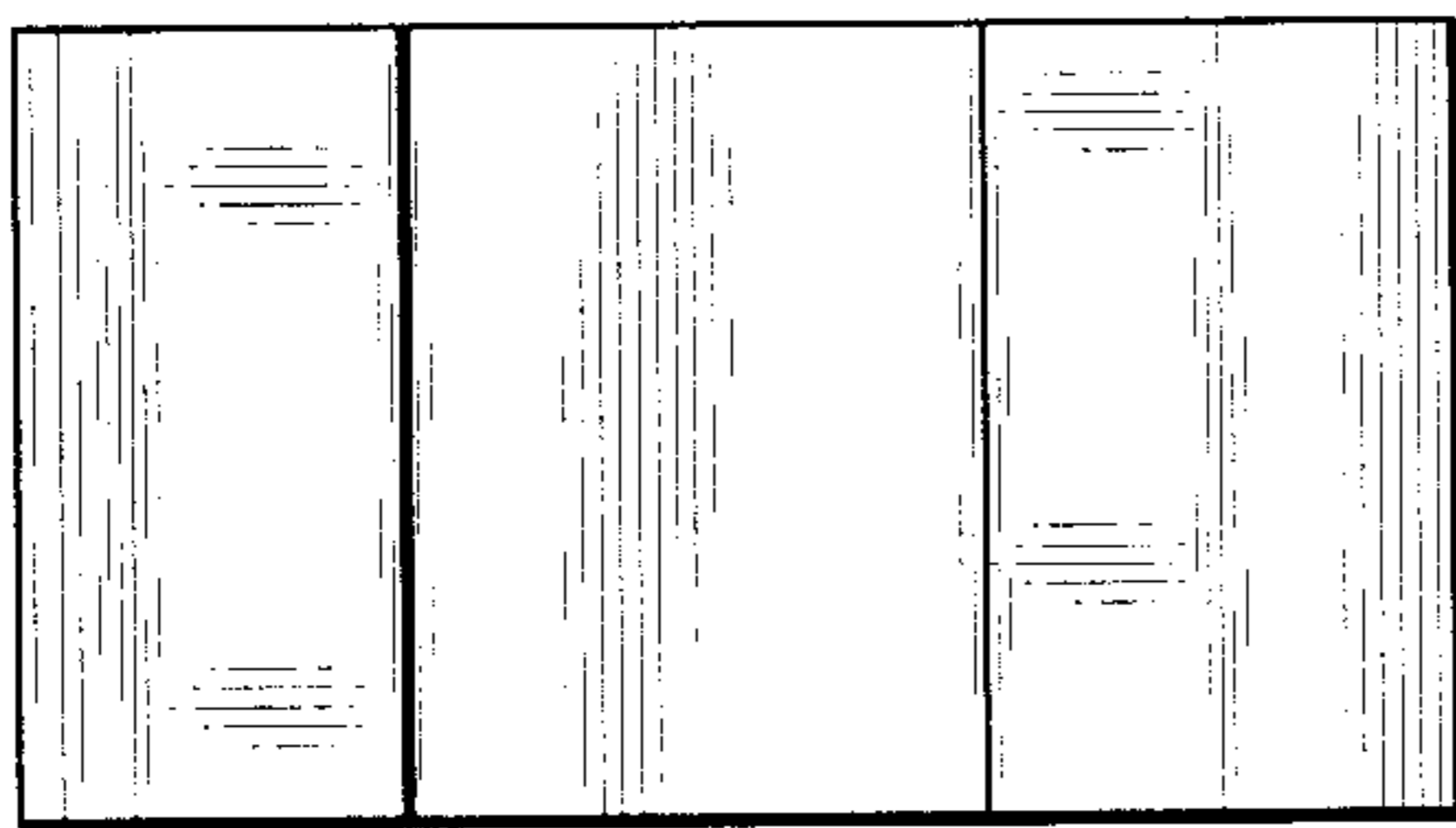


Fig. 3

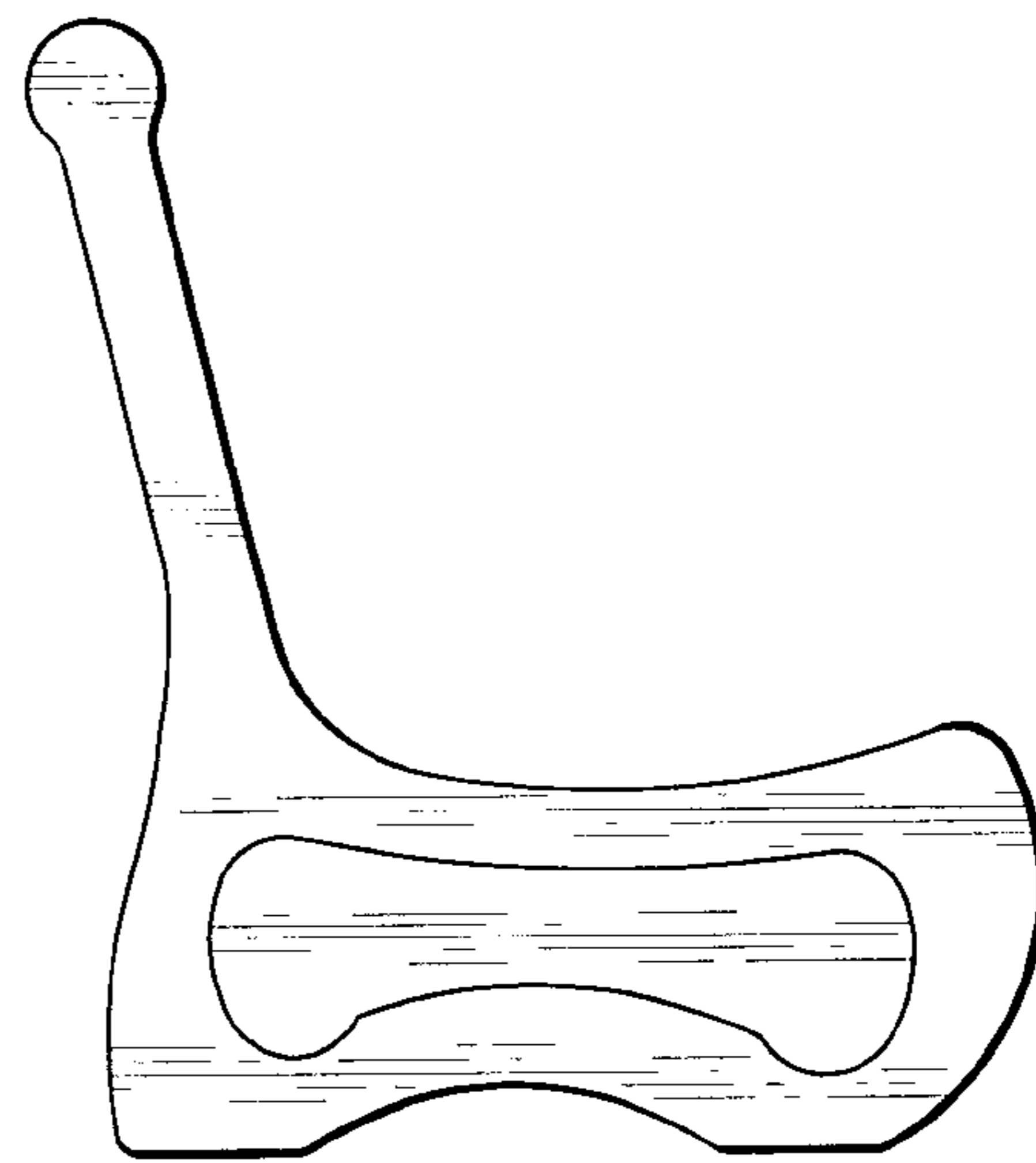


Fig. 4

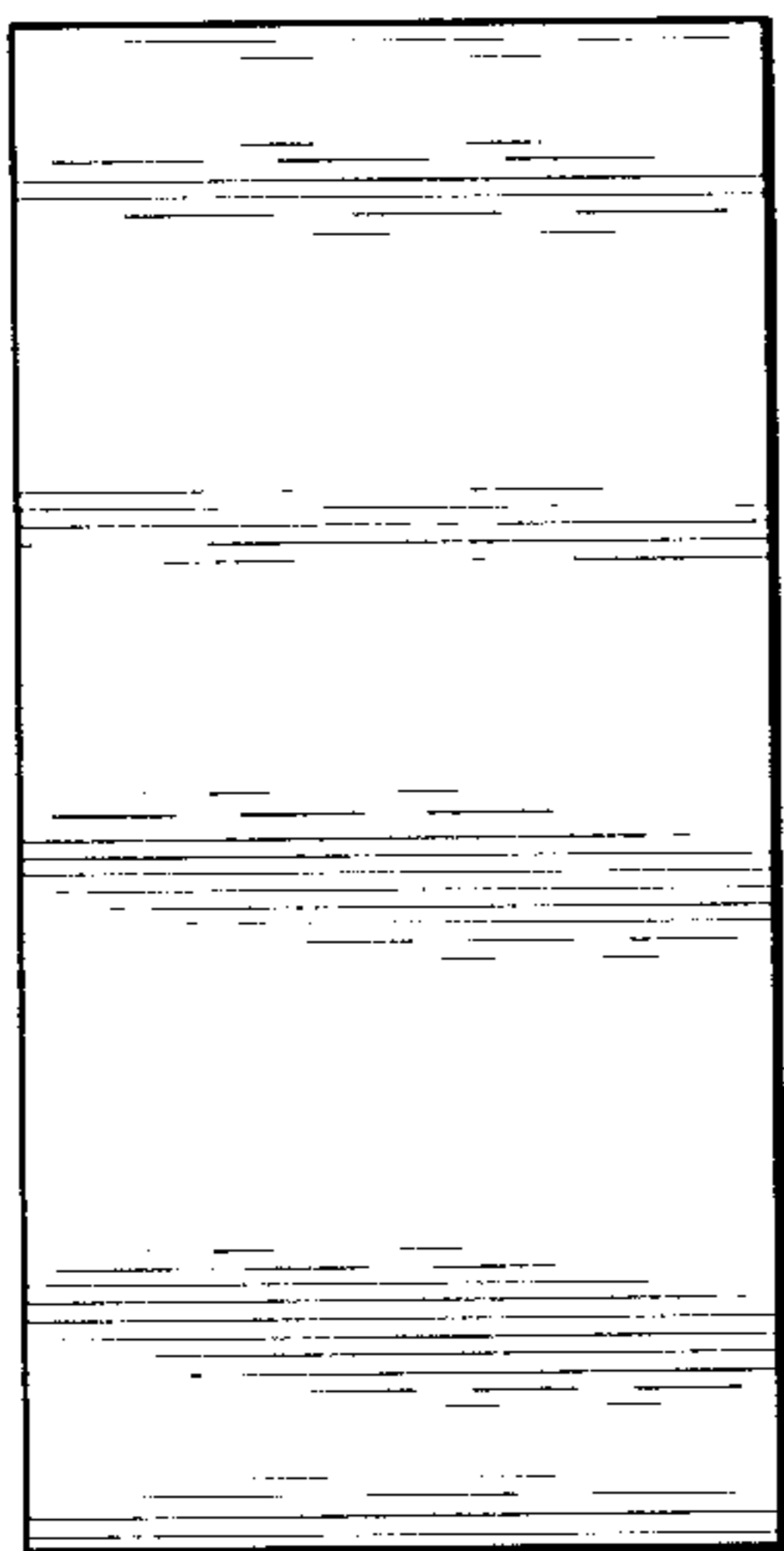


Fig. 5

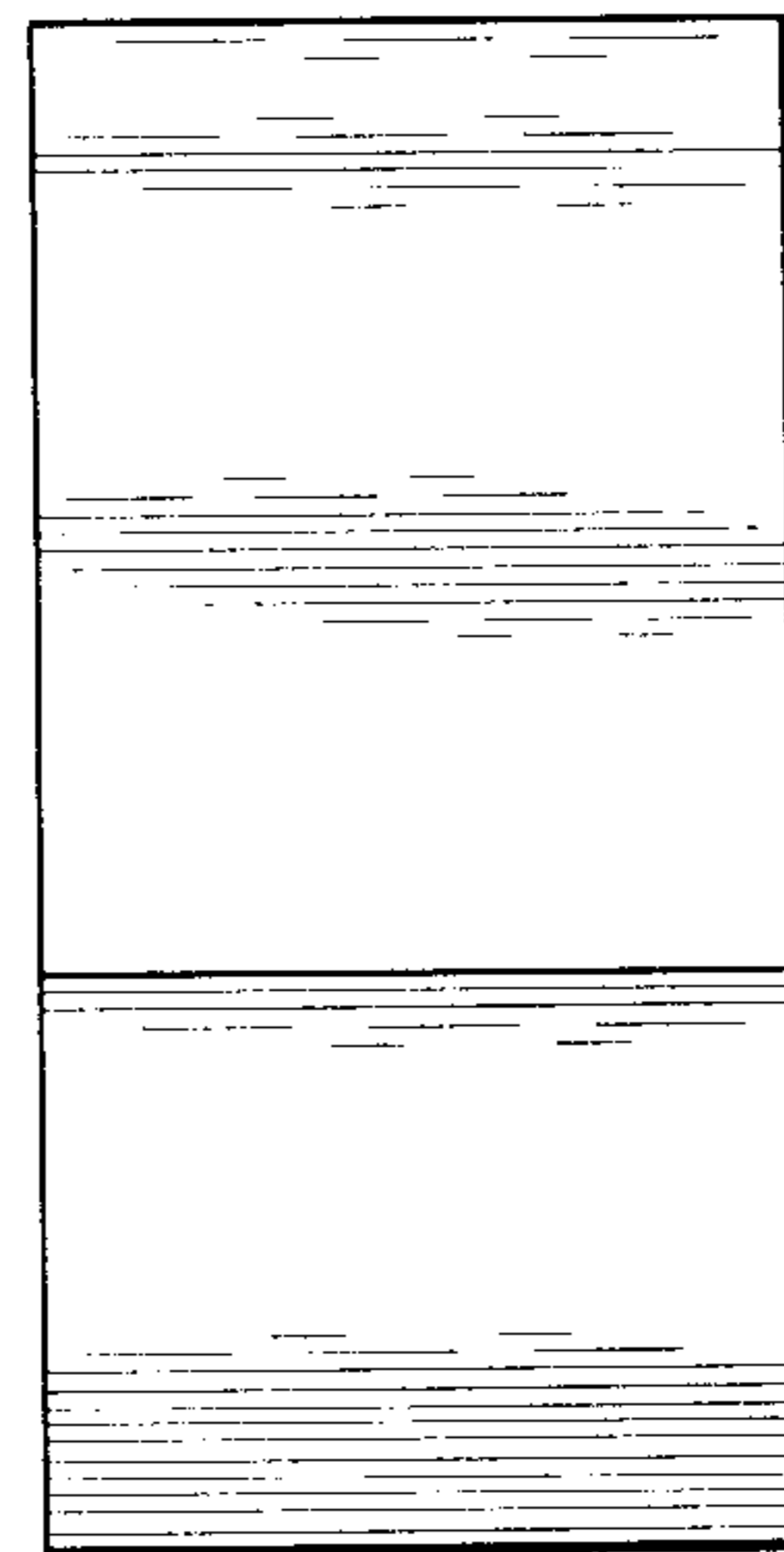


Fig. 6

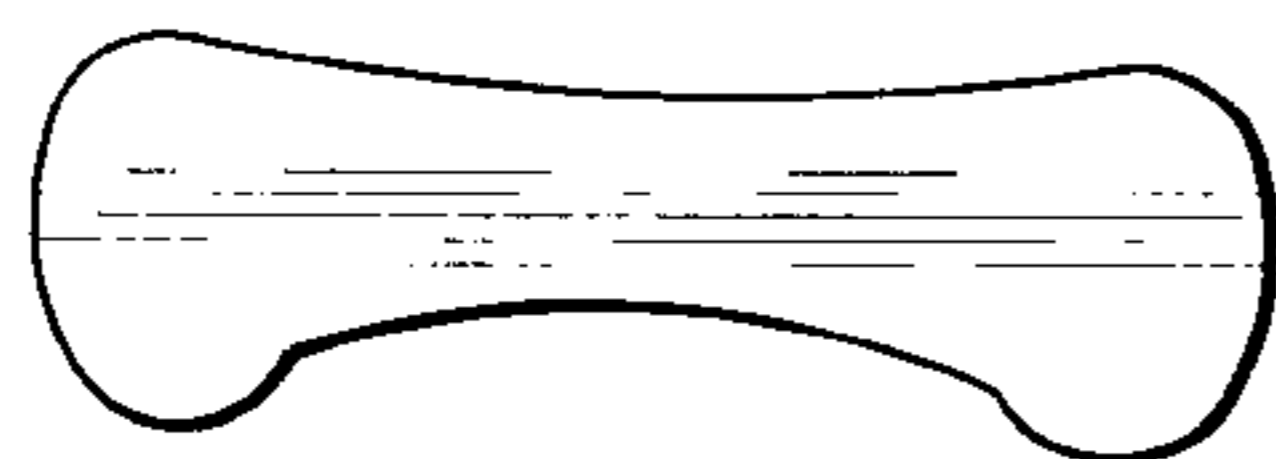
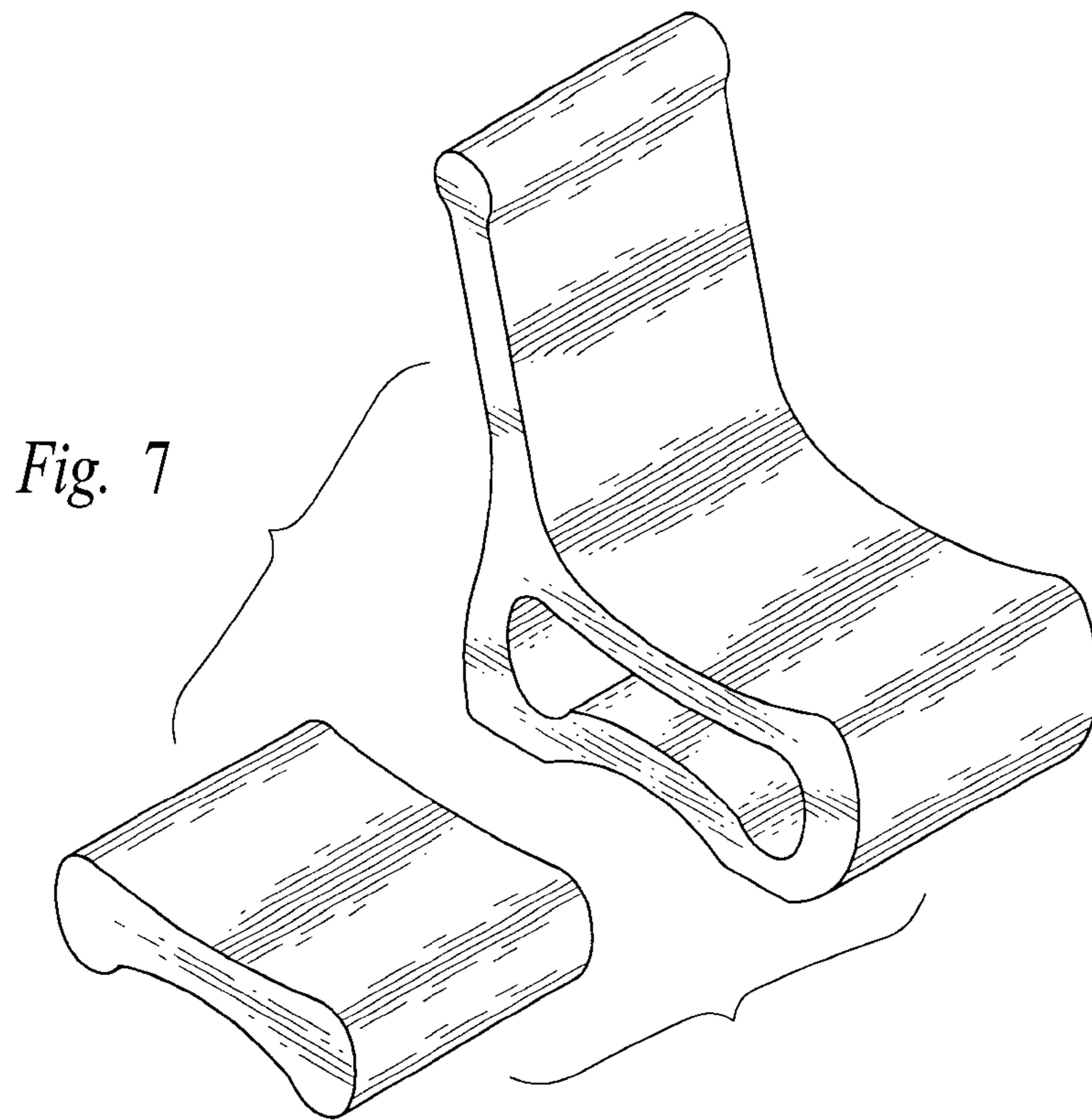


Fig. 8

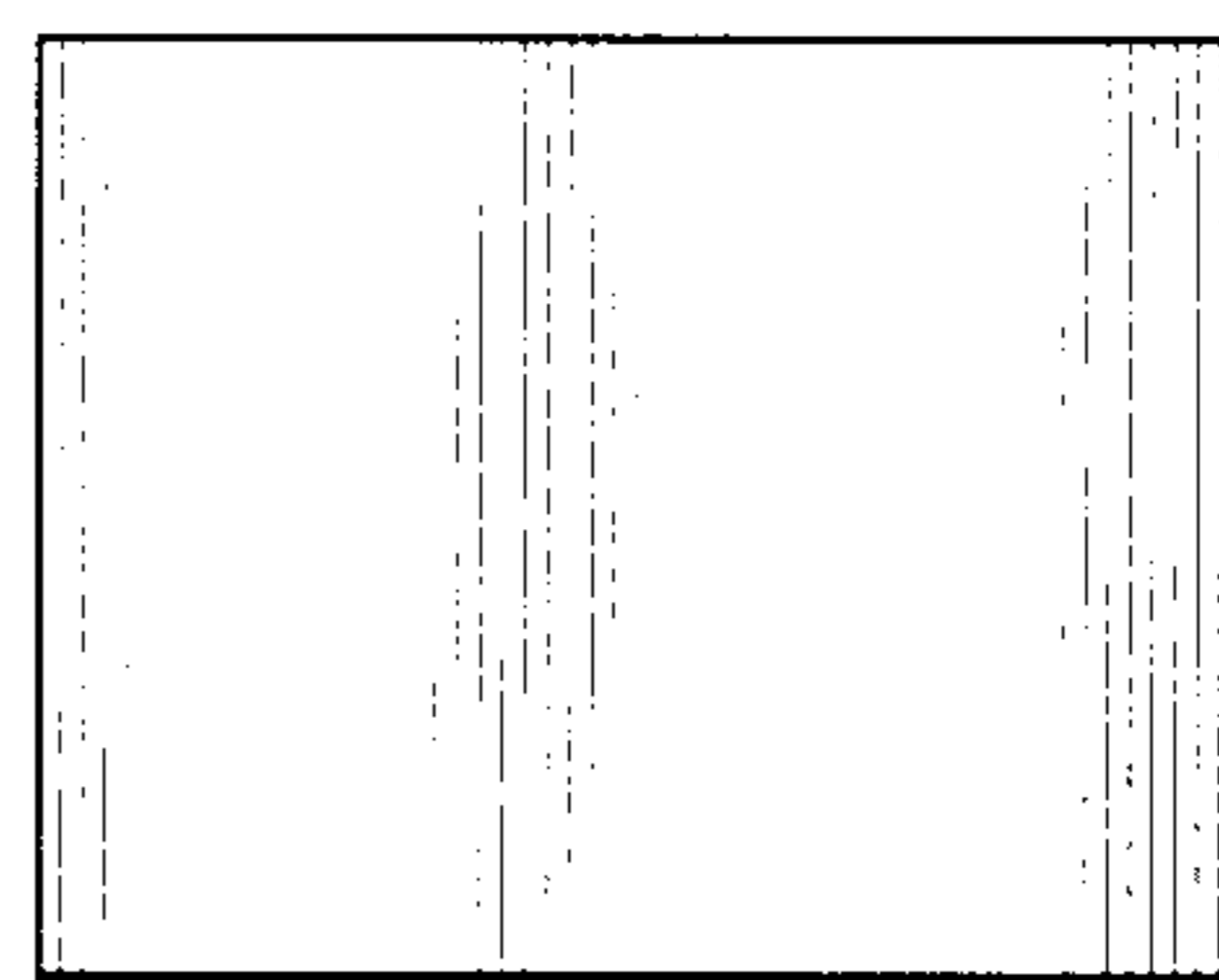


Fig. 9

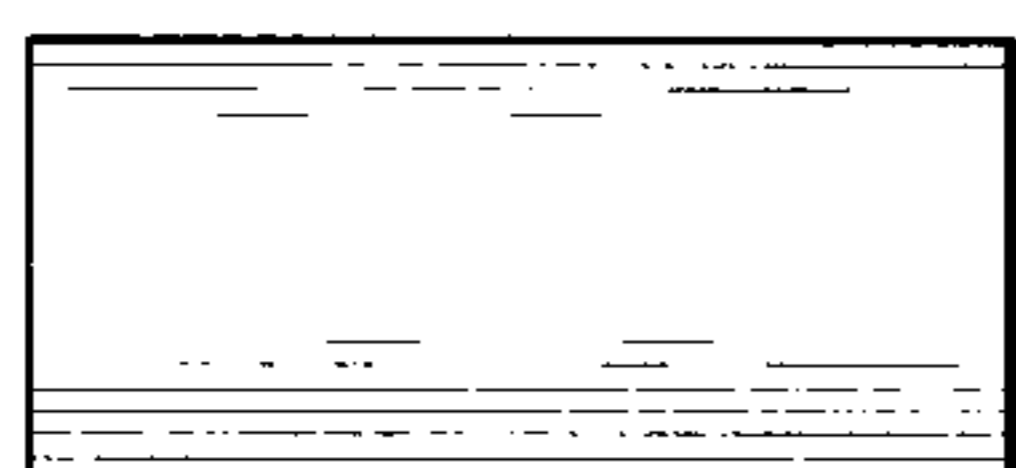


Fig. 10

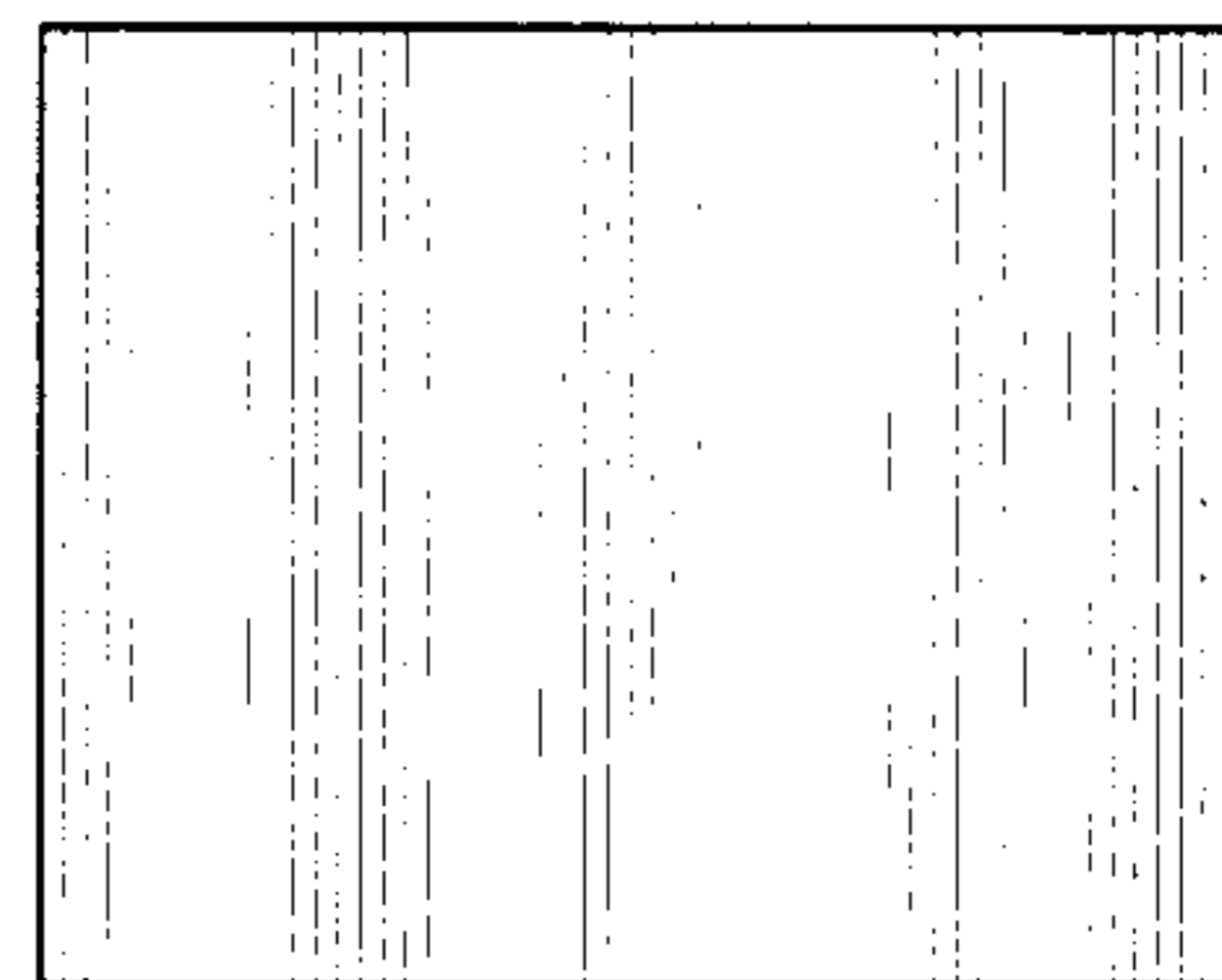


Fig. 11