



US00D704392S

(12) **United States Design Patent**  
**Fang**

(10) **Patent No.:** **US D704,392 S**

(45) **Date of Patent:** **\*\* May 6, 2014**

(54) **TOP PAW FOUNTAIN**

(75) Inventor: **Kaixiang Fang**, Baolong Industrial City (CN)

(73) Assignee: **Shenzhen Xingrisheng Industrial Co., Ltd.**, Shenzhen (CN)

(\*\*) Term: **14 Years**

(21) Appl. No.: **29/409,580**

(22) Filed: **Dec. 26, 2011**

(30) **Foreign Application Priority Data**

Jul. 22, 2011 (CN) ..... 2011 3 0236279

(51) **LOC (10) Cl.** ..... **30-03**

(52) **U.S. Cl.**  
USPC ..... **D30/132**

(58) **Field of Classification Search**  
USPC ..... D30/123, 129, 132, 121; 119/69.5, 673, 119/57.8, 68, 74, 61.57, 78-81, 61.4, 57.9, 119/51.5, 61.5, 72; 47/66.6, 39, 67, 83; 239/27, 280, 200, 281, 280.5, 273, 16, 239/17, 20, 22; 4/644, 627, 638; D7/558; D11/144, 145, 153; D99/5, 24; 27/1; D23/201, 292; 248/127, 132, 137, 138, 248/158, 910; 215/10; D6/353, 352, 484, D6/360, 480, 488; 219/521; 329/442, 459  
See application file for complete search history.

(56) **References Cited**

**U.S. PATENT DOCUMENTS**

3,903,845 A \* 9/1975 Little ..... 119/81  
D278,371 S \* 4/1985 Strickland ..... D30/132  
D289,808 S \* 5/1987 Gardner ..... D30/122  
D300,277 S \* 3/1989 Clark ..... D30/122  
D315,037 S \* 2/1991 Clark ..... D30/122  
D324,116 S \* 2/1992 Skillius ..... D30/132

D335,197 S \* 4/1993 Strickland ..... D30/132  
D338,746 S \* 8/1993 Clark et al. .... D30/122  
5,259,336 A \* 11/1993 Clark ..... 119/51.5  
5,277,149 A \* 1/1994 East ..... 119/51.5  
D350,841 S \* 9/1994 VanSkiver ..... D30/121  
D350,842 S \* 9/1994 VanSkiver ..... D30/121  
D351,689 S \* 10/1994 VanSkiver ..... D30/121  
D367,735 S \* 3/1996 VanSkiver et al. .... D30/121  
D371,643 S \* 7/1996 Lillelund et al. .... D30/122  
D374,109 S \* 9/1996 Lillelund et al. .... D30/121  
5,730,082 A \* 3/1998 Newman ..... 119/51.5  
5,799,609 A \* 9/1998 Burns et al. .... 119/74  
D402,425 S \* 12/1998 Lacz et al. .... D30/121  
6,055,932 A \* 5/2000 Weber ..... 119/52.1  
6,055,934 A \* 5/2000 Burns et al. .... 119/74  
D428,217 S \* 7/2000 Rodack et al. .... D30/132  
6,142,099 A \* 11/2000 Lange, Jr. .... 119/51.5  
6,212,804 B1 \* 4/2001 Richard ..... 40/406  
D446,889 S \* 8/2001 Bornhofen ..... D30/132  
D456,569 S \* 4/2002 Northrop ..... D30/132  
6,460,483 B1 \* 10/2002 Northrop et al. .... 119/74  
D470,631 S \* 2/2003 Teufel ..... D30/132  
6,622,657 B2 \* 9/2003 Northrop et al. .... 119/74

(Continued)

Primary Examiner — Susan Moon Lee

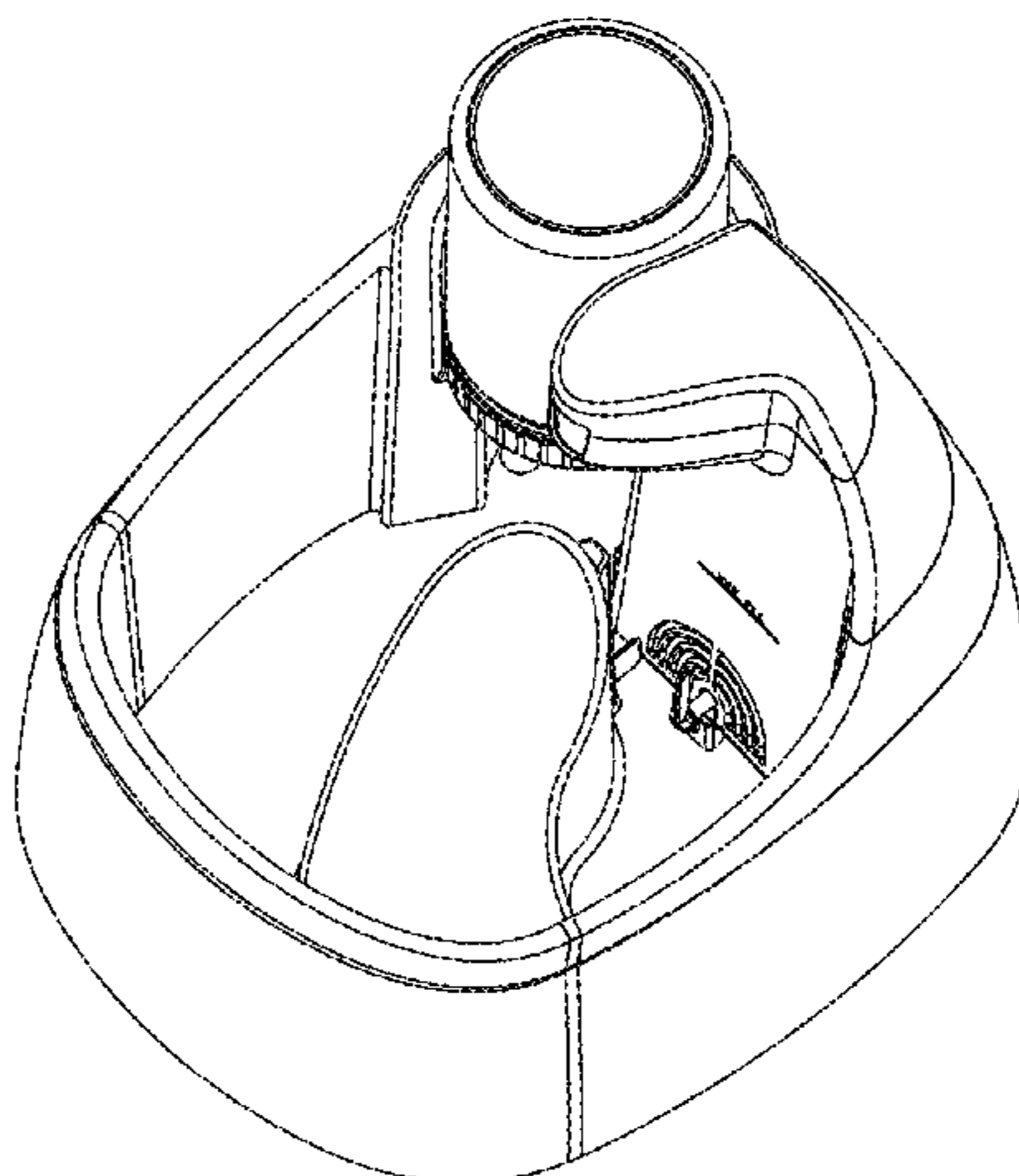
(57) **CLAIM**

I claim the ornamental design for a top paw fountain, as shown and described.

**DESCRIPTION**

FIG. 1 is a perspective view of a top paw fountain, showing my new design;  
FIG. 2 is another perspective view thereof;  
FIG. 3 is a front elevation view thereof;  
FIG. 4 is a rear elevation view thereof;  
FIG. 5 is a left side elevation view thereof;  
FIG. 6 is a right side elevation view thereof; and,  
FIG. 7 is a top plan view thereof.  
The appearance of the underside of the fountain is not claimed.

**1 Claim, 4 Drawing Sheets**



(56)

**References Cited**

U.S. PATENT DOCUMENTS

D498,564 S \* 11/2004 Northrop et al. .... D30/121  
 7,146,930 B1 \* 12/2006 Ness ..... 119/77  
 D621,556 S \* 8/2010 Hewson et al. .... D30/121  
 D629,974 S \* 12/2010 Northrop ..... D30/132  
 D637,770 S \* 5/2011 Lipscomb et al. .... D30/132  
 7,958,844 B1 \* 6/2011 Northrop ..... 119/74  
 D642,745 S \* 8/2011 Veness et al. .... D30/132  
 D642,746 S \* 8/2011 Weber ..... D30/132  
 8,171,885 B1 \* 5/2012 Northrop et al. .... 119/74  
 D665,134 S \* 8/2012 Lipscomb et al. .... D30/132  
 8,381,685 B2 \* 2/2013 Lipscomb et al. .... 119/74

D694,477 S \* 11/2013 Rowe et al. .... D30/132  
 2002/0189548 A1 \* 12/2002 Northrop et al. .... 119/74  
 2008/0078330 A1 \* 4/2008 McCallum et al. .... 119/72  
 2008/0190374 A1 \* 8/2008 Farris ..... 119/74  
 2008/0202436 A1 \* 8/2008 Romeu Guardia ..... 119/52.1  
 2008/0257272 A1 \* 10/2008 Bolda ..... 119/72  
 2009/0241843 A1 \* 10/2009 Becattini et al. .... 119/51.5  
 2010/0300366 A1 \* 12/2010 Lipscomb et al. .... 119/74  
 2011/0017141 A1 \* 1/2011 Hewson et al. .... 119/51.5  
 2011/0259273 A1 \* 10/2011 Lipscomb et al. .... 119/74  
 2012/0017839 A1 \* 1/2012 Veness et al. .... 119/74  
 2012/0216751 A1 \* 8/2012 Rowe ..... 119/72  
 2013/0087102 A1 \* 4/2013 Lipscomb et al. .... 119/74  
 2013/0180458 A1 \* 7/2013 Lipscomb et al. .... 119/74

\* cited by examiner

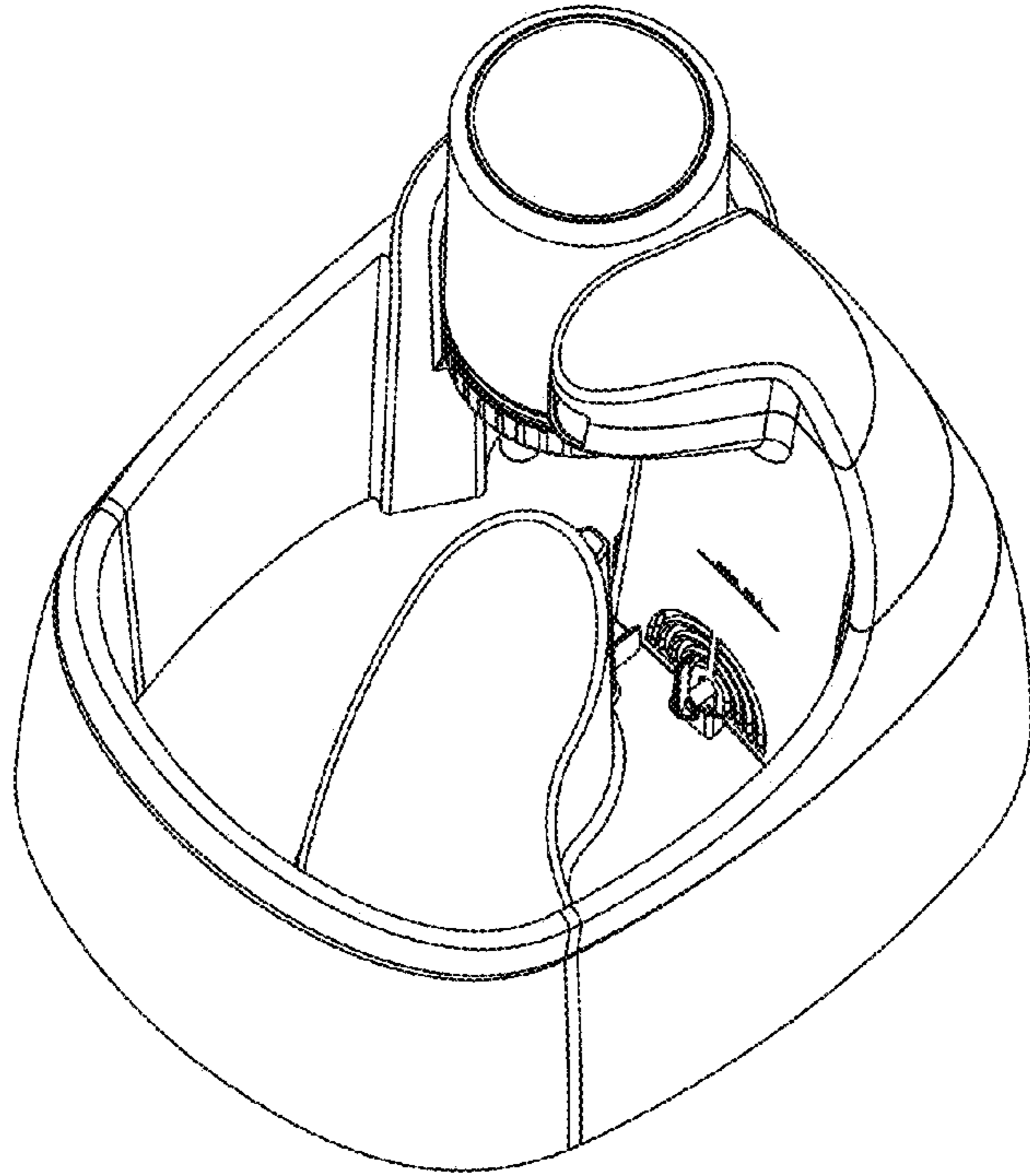


Fig.1

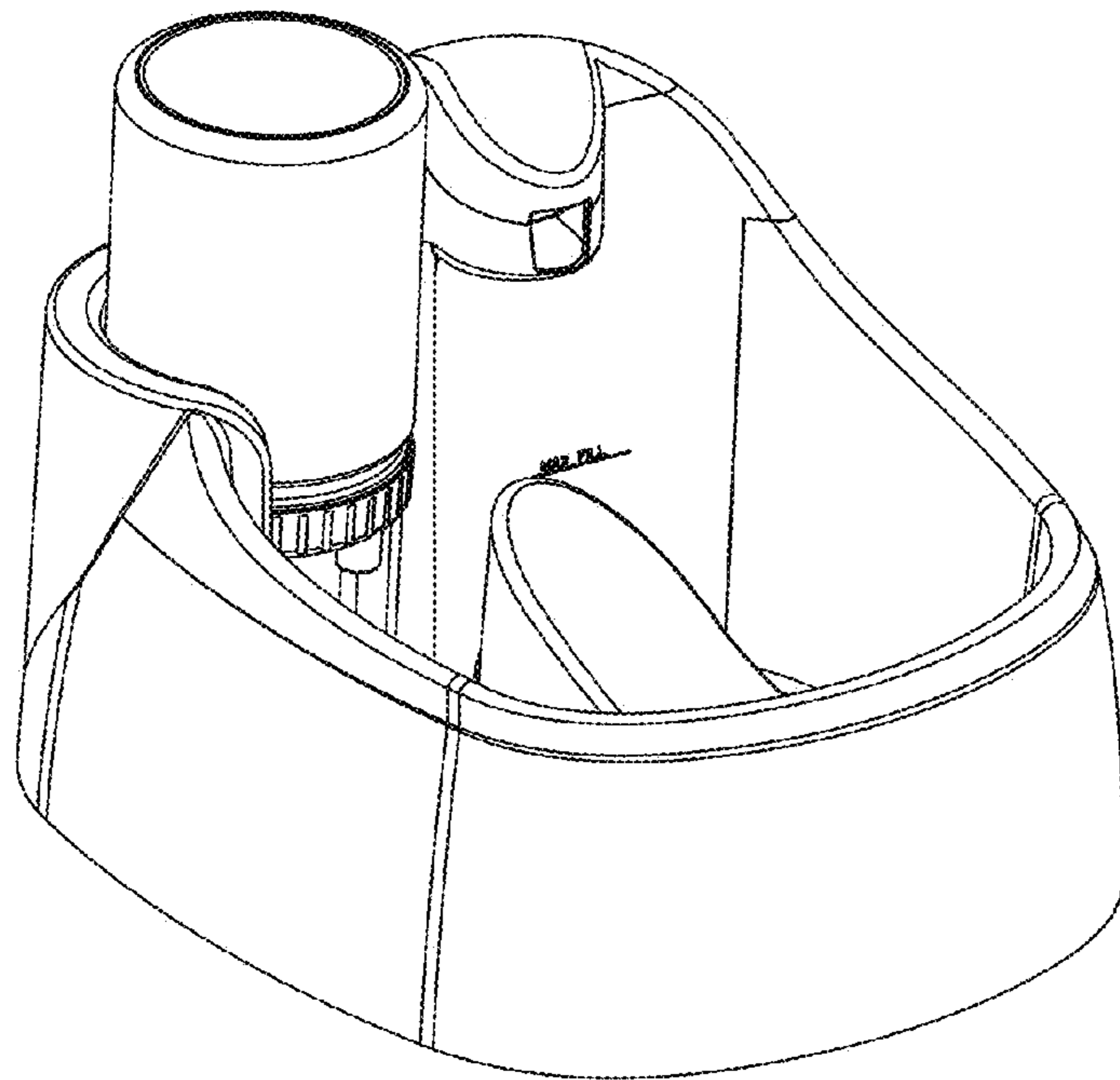


Fig.2

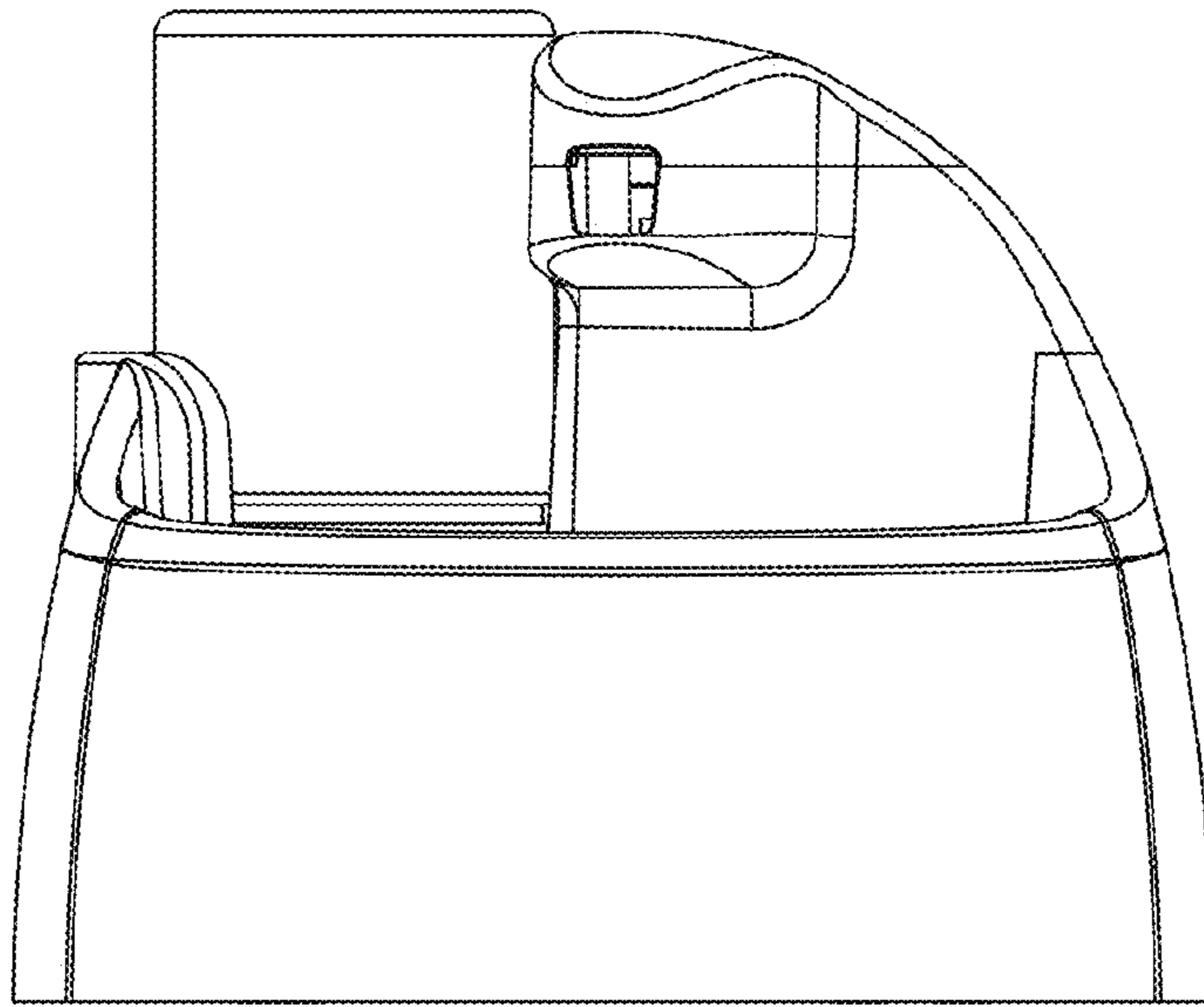


Fig.3

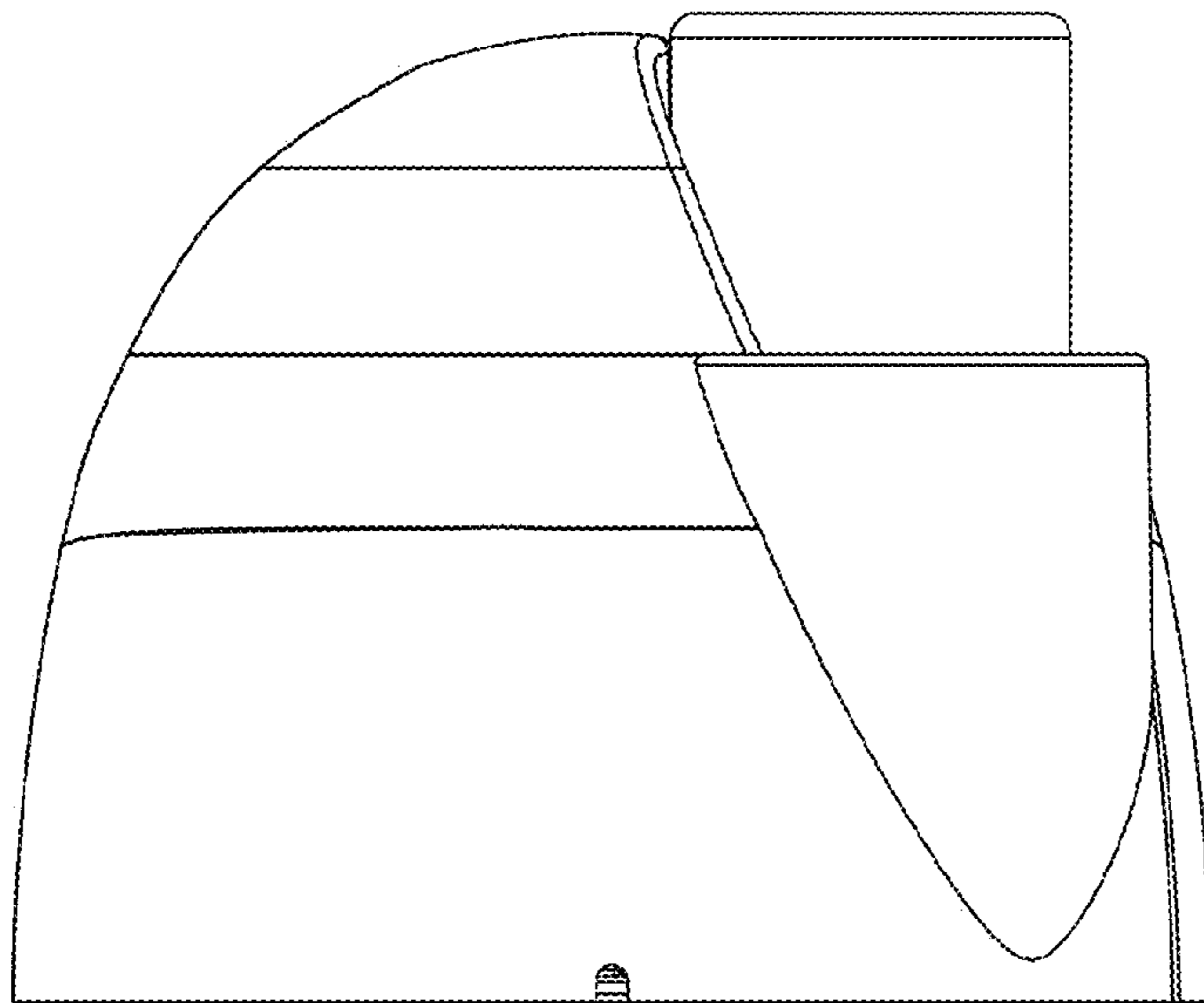


Fig.4

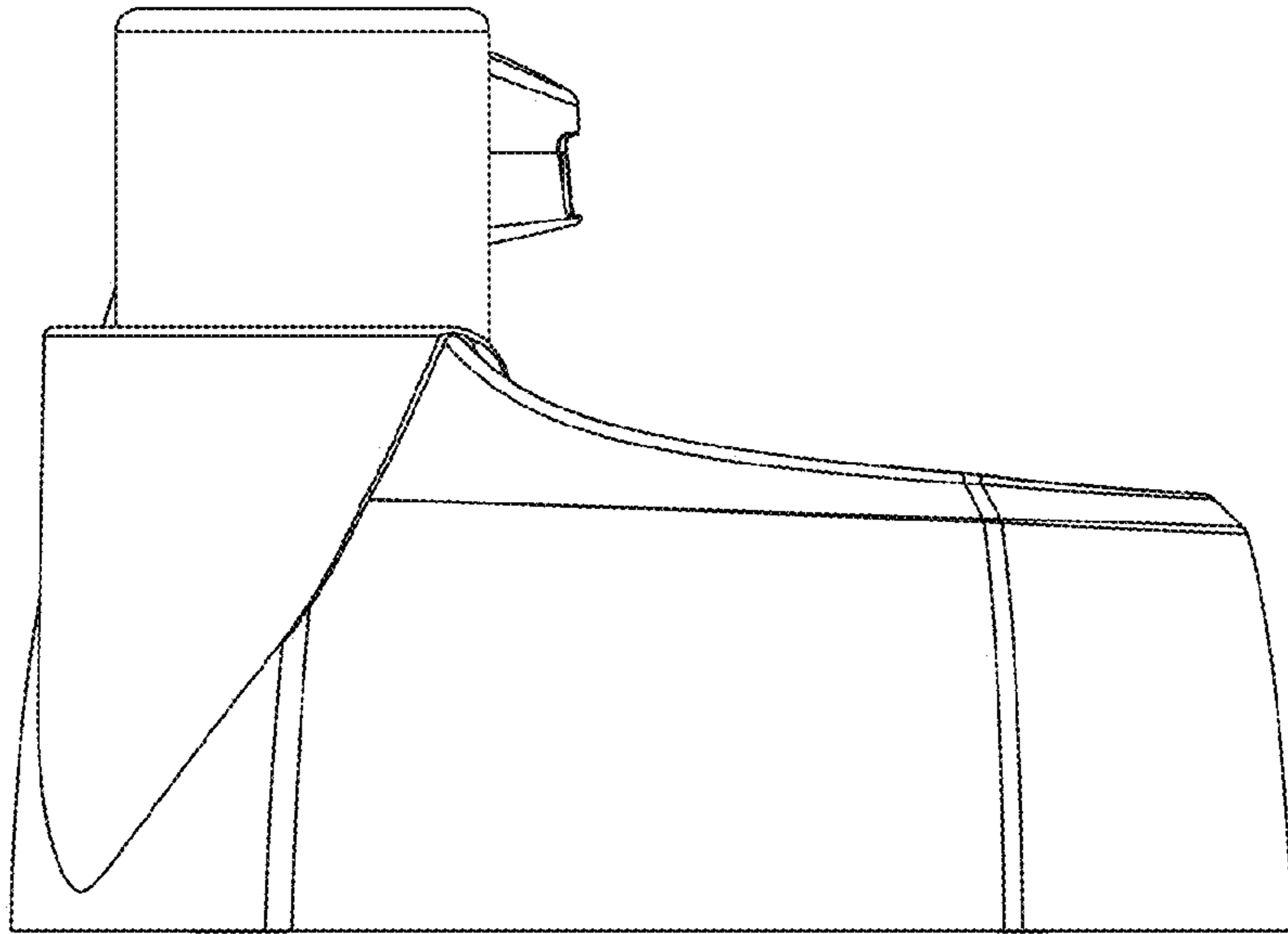


Fig.5

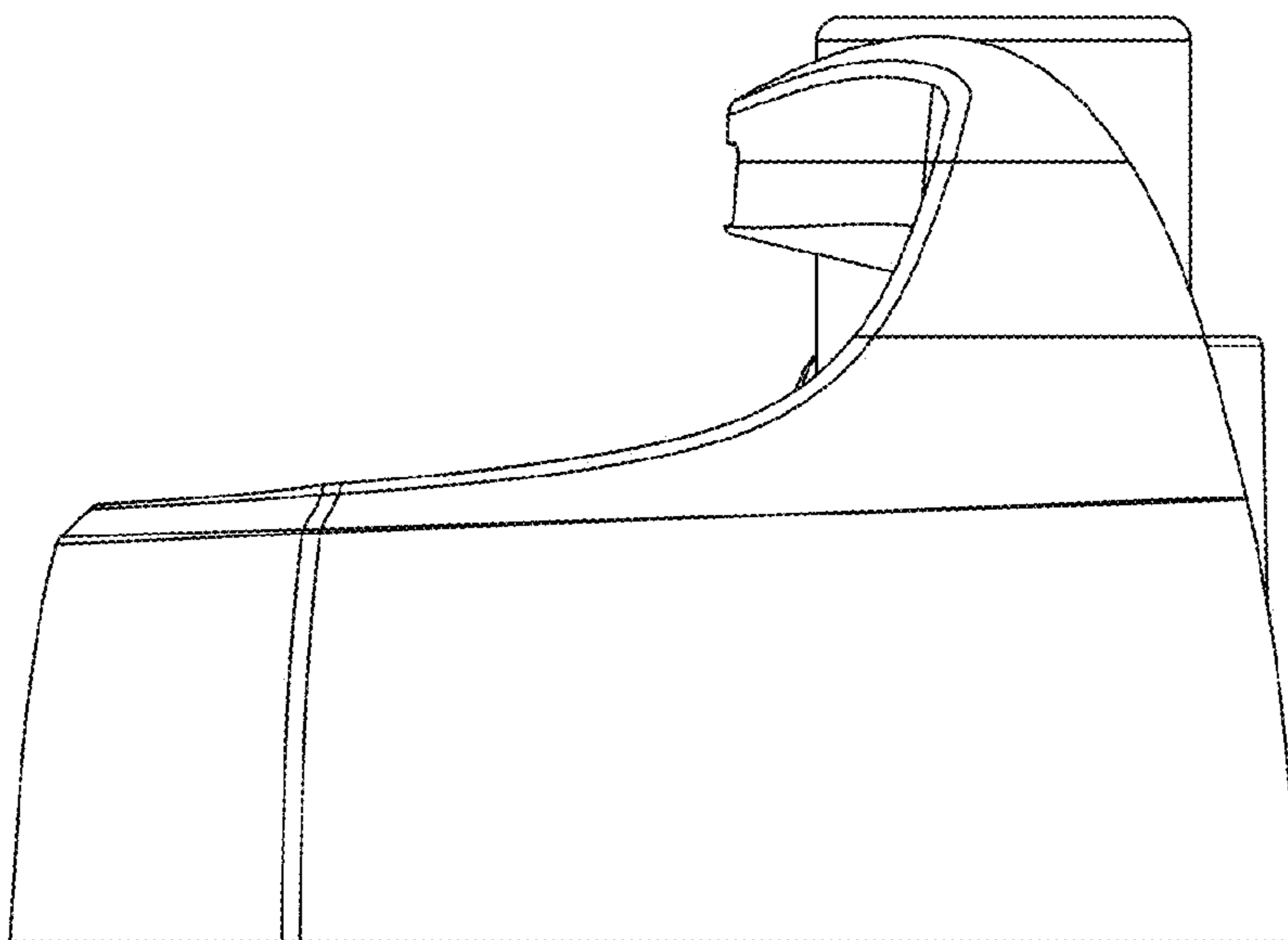


Fig.6



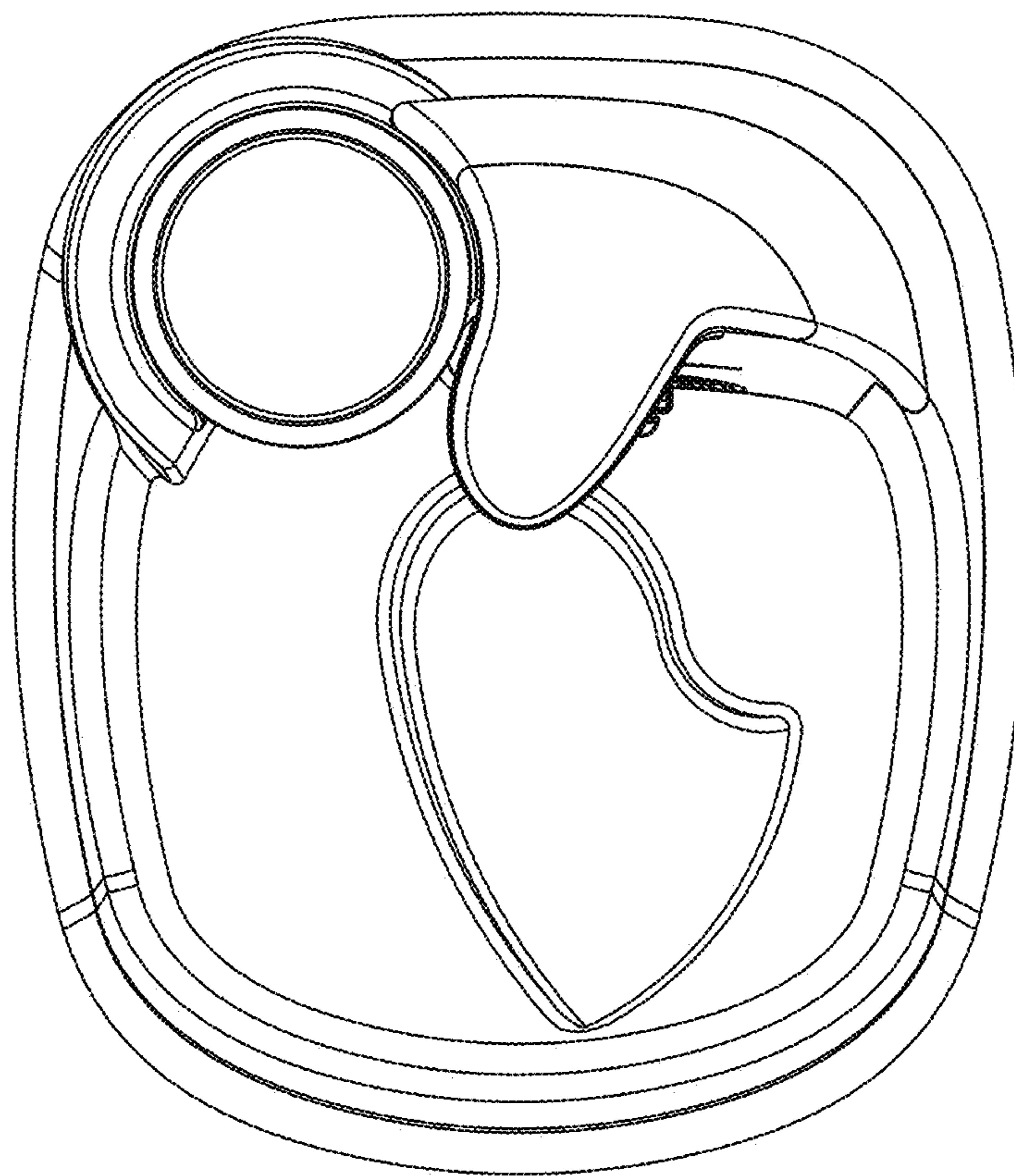


Fig.7