



US00D704390S

(12) **United States Design Patent**
Tan

(10) **Patent No.:** **US D704,390 S**

(45) **Date of Patent:** **** May 6, 2014**

(54) **PET FOUNTAIN**

(75) Inventor: **Guanyu Tan**, Baolong Industrial (CN)

(73) Assignee: **Shenzhen Xingrisheng Industrial Co., Ltd.**, Shenzhen (CN)

(**) Term: **14 Years**

(21) Appl. No.: **29/390,234**

(22) Filed: **Apr. 21, 2011**

(30) **Foreign Application Priority Data**

Oct. 25, 2010 (CN) 2010 3 0571824

(51) **LOC (10) Cl.** **30-03**

(52) **U.S. Cl.**
USPC **D30/132**

(58) **Field of Classification Search**

USPC D30/123, 129, 132, 121; 119/69.5, 673, 119/57.8, 68, 74, 61.57, 78-81, 61.4, 57.9, 119/51.5, 61.5, 72; 47/66.6, 39, 67, 83; 239/27, 280, 200, 281, 280.5, 273, 16, 239/17, 20, 22; 4/644, 627, 638; D7/558; D11/144, 145, 153; D99/5, 24; 27/1; D23/201, 292; 248/127, 132, 137, 138, 248/158, 910; 215/10; D6/353, 352, 484, D6/360, 480, 488; 219/521; 329/442, 459

See application file for complete search history.

(56) **References Cited**

U.S. PATENT DOCUMENTS

4,912,876 A * 4/1990 Ginsberg 47/67
4,976,220 A * 12/1990 Gershman 119/475
5,167,368 A * 12/1992 Nash 239/17
D367,735 S * 3/1996 VanSkiver et al. D30/121
5,501,178 A * 3/1996 Kemp 119/74
D371,643 S * 7/1996 Lillelund et al. D30/122
D374,109 S * 9/1996 Lillelund et al. D30/121

6,055,934 A * 5/2000 Burns et al. 119/74
D428,217 S * 7/2000 Rodack et al. D30/132
D432,279 S * 10/2000 Kim D30/121
6,142,099 A * 11/2000 Lange, Jr. 119/51.5
D456,569 S * 4/2002 Northrop D30/132
6,460,483 B1 * 10/2002 Northrop et al. 119/74
6,467,428 B1 * 10/2002 Andrisin et al. 119/51.5
6,527,257 B1 * 3/2003 Schuld 261/29
D486,612 S * 2/2004 Ross D30/132
D503,247 S * 3/2005 Ross D30/132
D629,974 S * 12/2010 Northrop D30/132
D637,770 S * 5/2011 Lipscomb et al. D30/132
7,958,844 B1 * 6/2011 Northrop 119/74
D642,745 S * 8/2011 Veness et al. D30/132
D642,746 S * 8/2011 Weber D30/132
8,096,266 B2 * 1/2012 Rowe 119/74
8,161,907 B2 * 4/2012 Craig 119/77
D659,914 S * 5/2012 Lipscomb D30/132
8,171,885 B1 * 5/2012 Northrop et al. 119/74
D665,134 S * 8/2012 Lipscomb et al. D30/132
D681,887 S * 5/2013 Fang D30/132
D681,888 S * 5/2013 Fang D30/132
D689,245 S * 9/2013 Rowe et al. D30/132
2004/0262417 A1 * 12/2004 Proch 239/20
2008/0190374 A1 * 8/2008 Farris 119/74

(Continued)

Primary Examiner — Susan Moon Lee

(57) **CLAIM**

I claim the ornamental design for a pet fountain, as shown and described.

DESCRIPTION

FIG. 1 is a perspective view of a pet fountain showing my new design;

FIG. 2 is another perspective view;

FIG. 3 is a front plan view thereof;

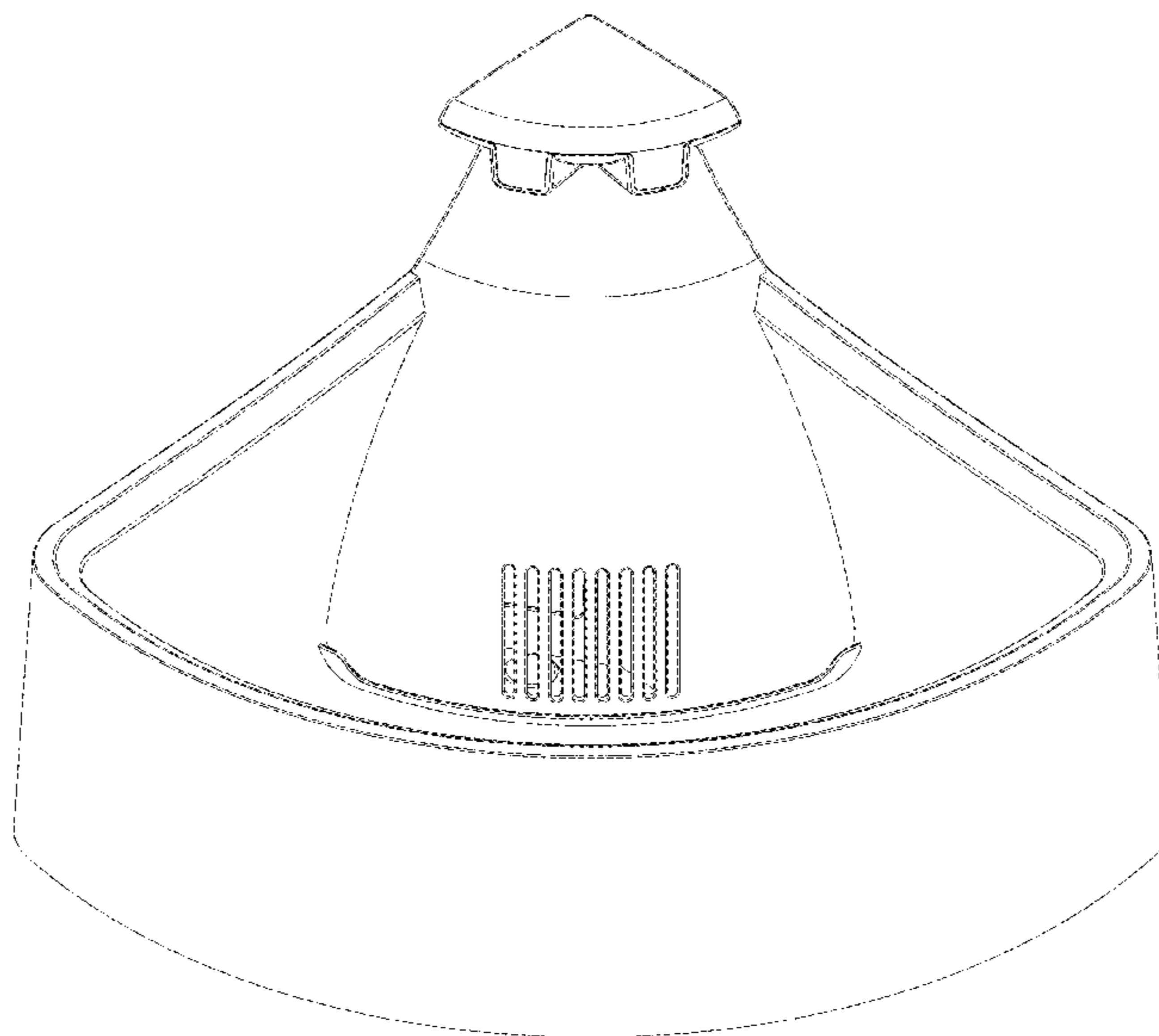
FIG. 4 is a rear plan view thereof;

FIG. 5 is a left side plan view thereof;

FIG. 6 is a right side plan view thereof; and,

FIG. 7 is a top plan view thereof.

1 Claim, 5 Drawing Sheets



(56)

References Cited

* cited by examiner

U.S. PATENT DOCUMENTS

2012/0017839 A1* 1/2012 Veness et al. 119/74
2013/0092090 A1* 4/2013 McCallum 119/74
2013/0298839 A1* 11/2013 Richards 119/75

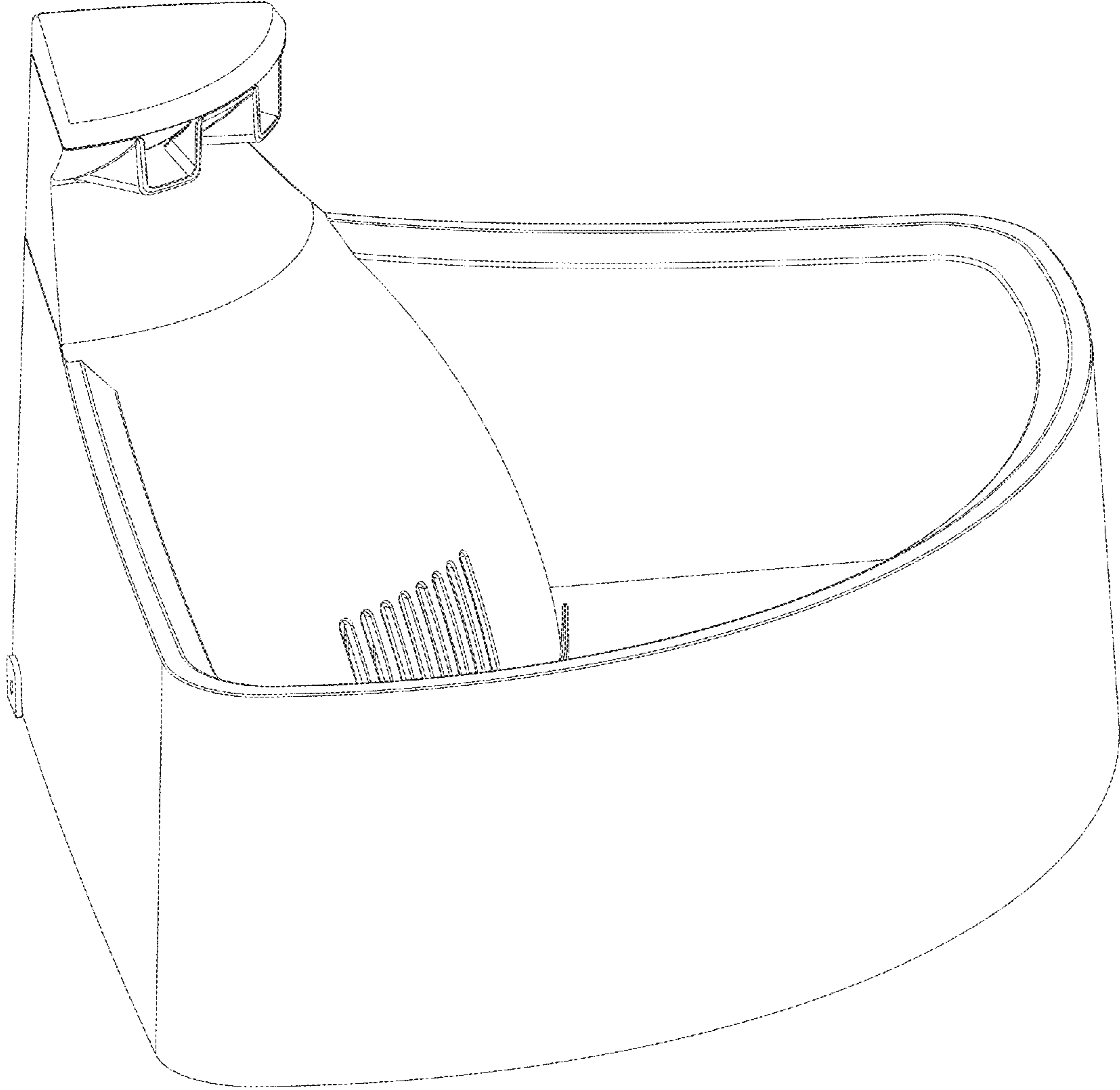


Fig. 1

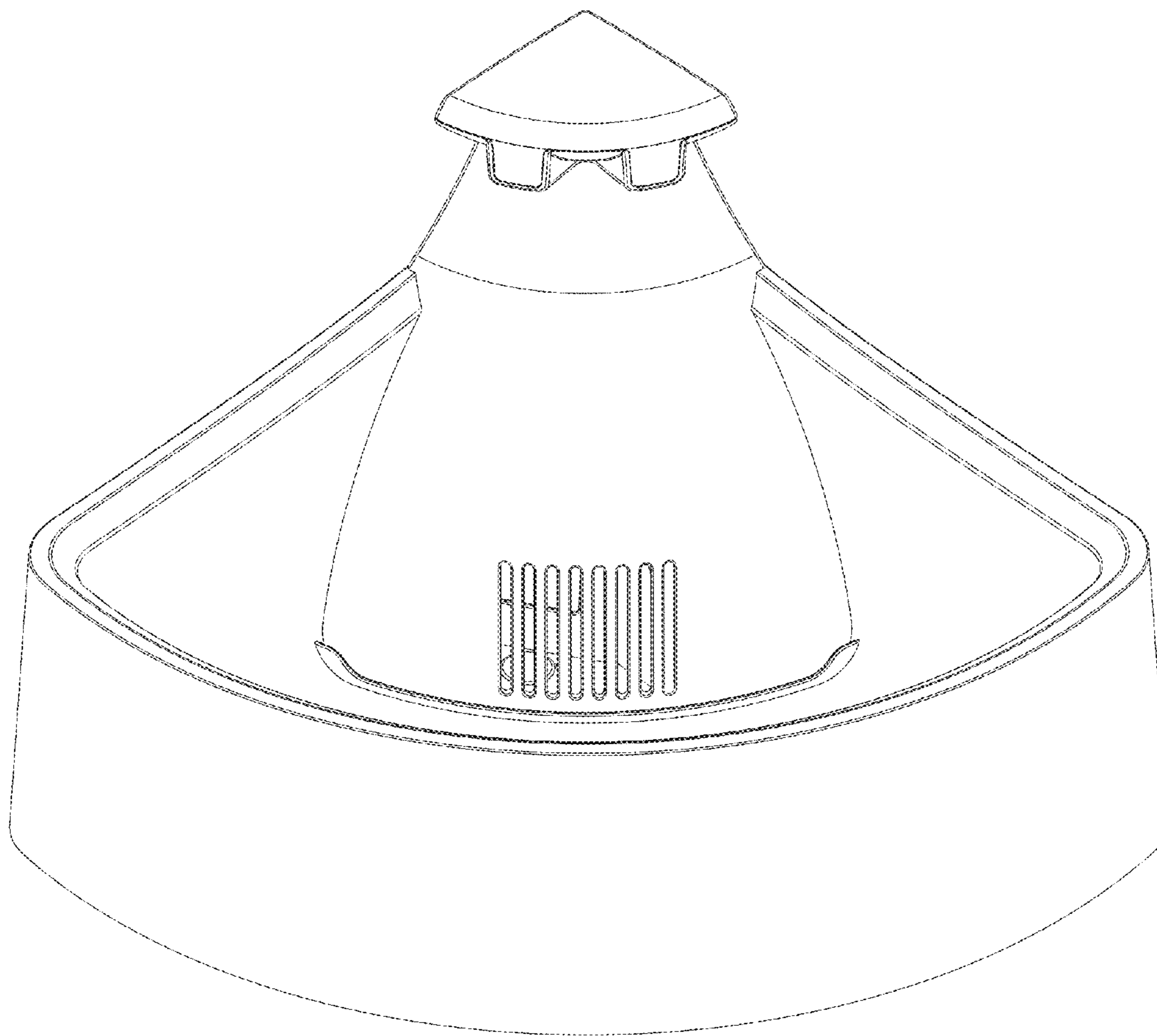


Fig.2

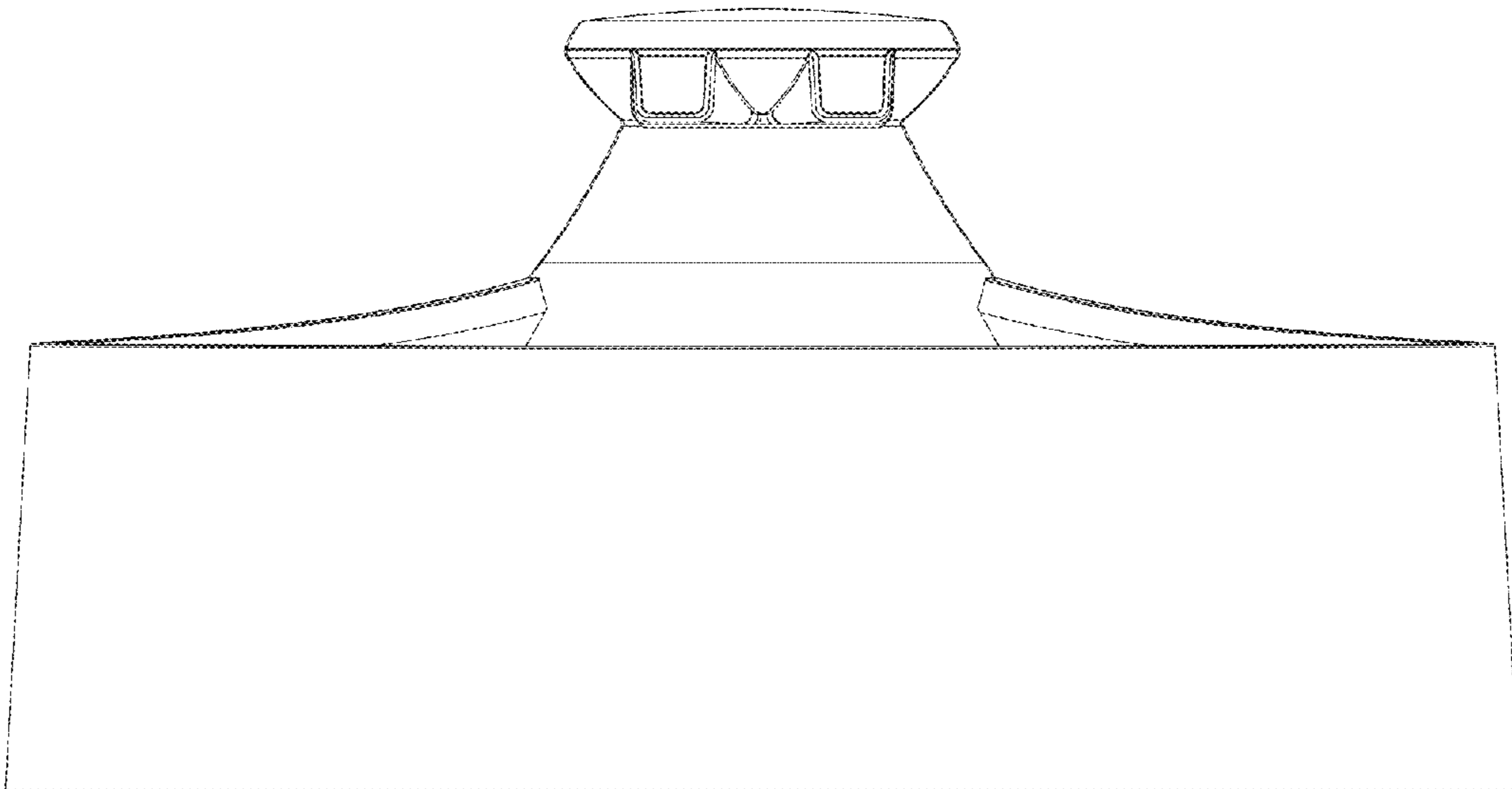


Fig.3

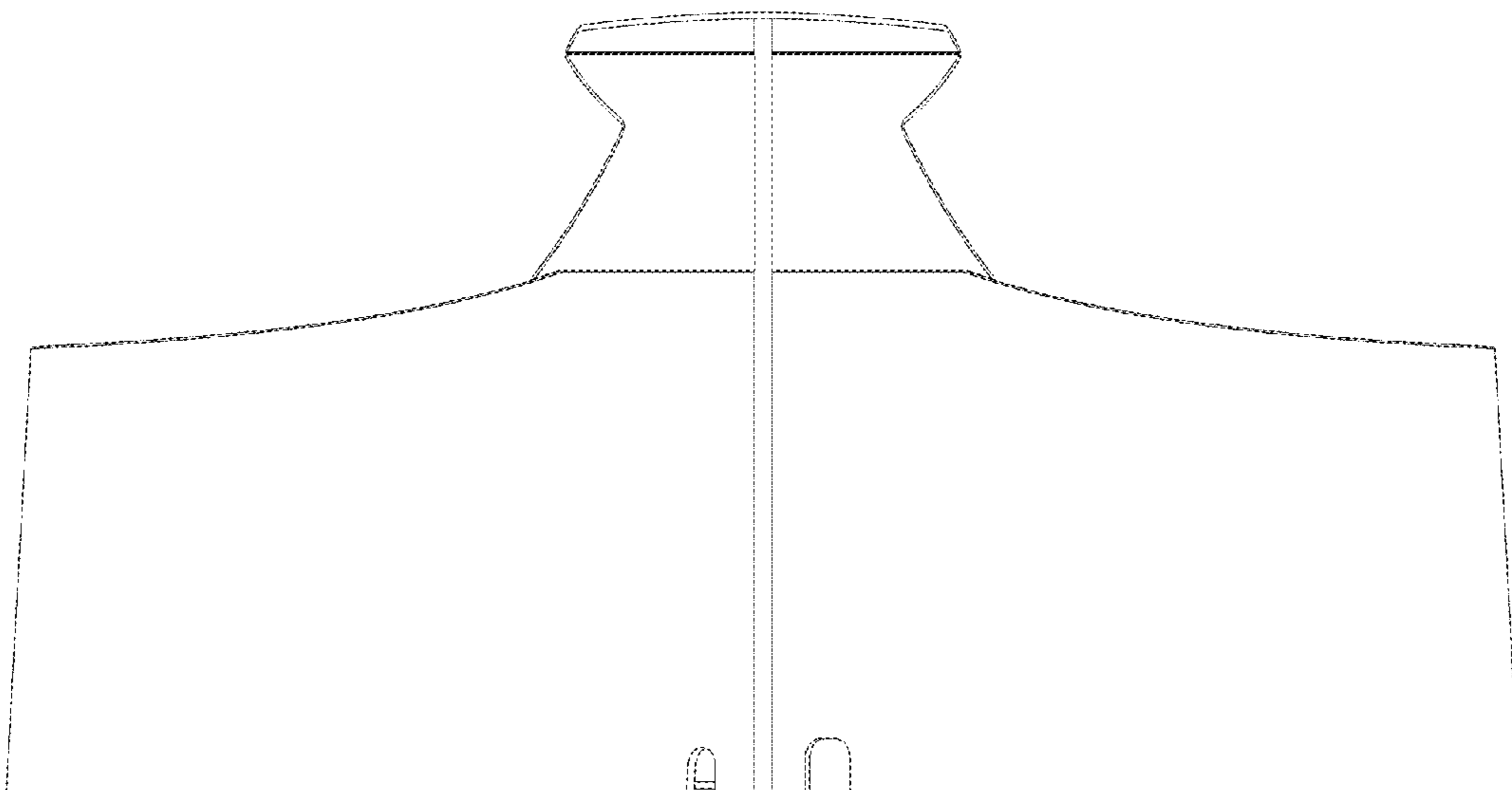


Fig.4

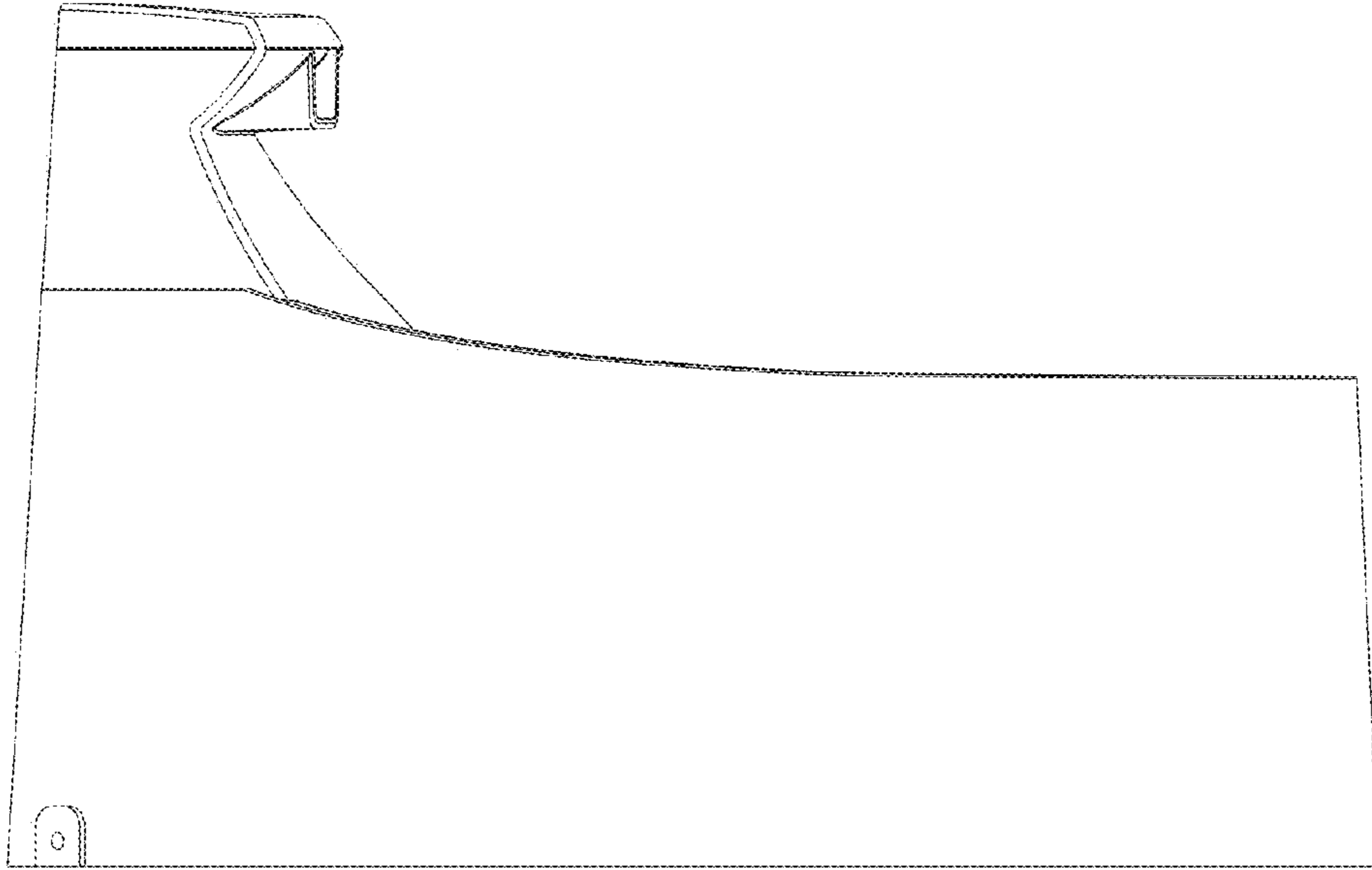


Fig.5

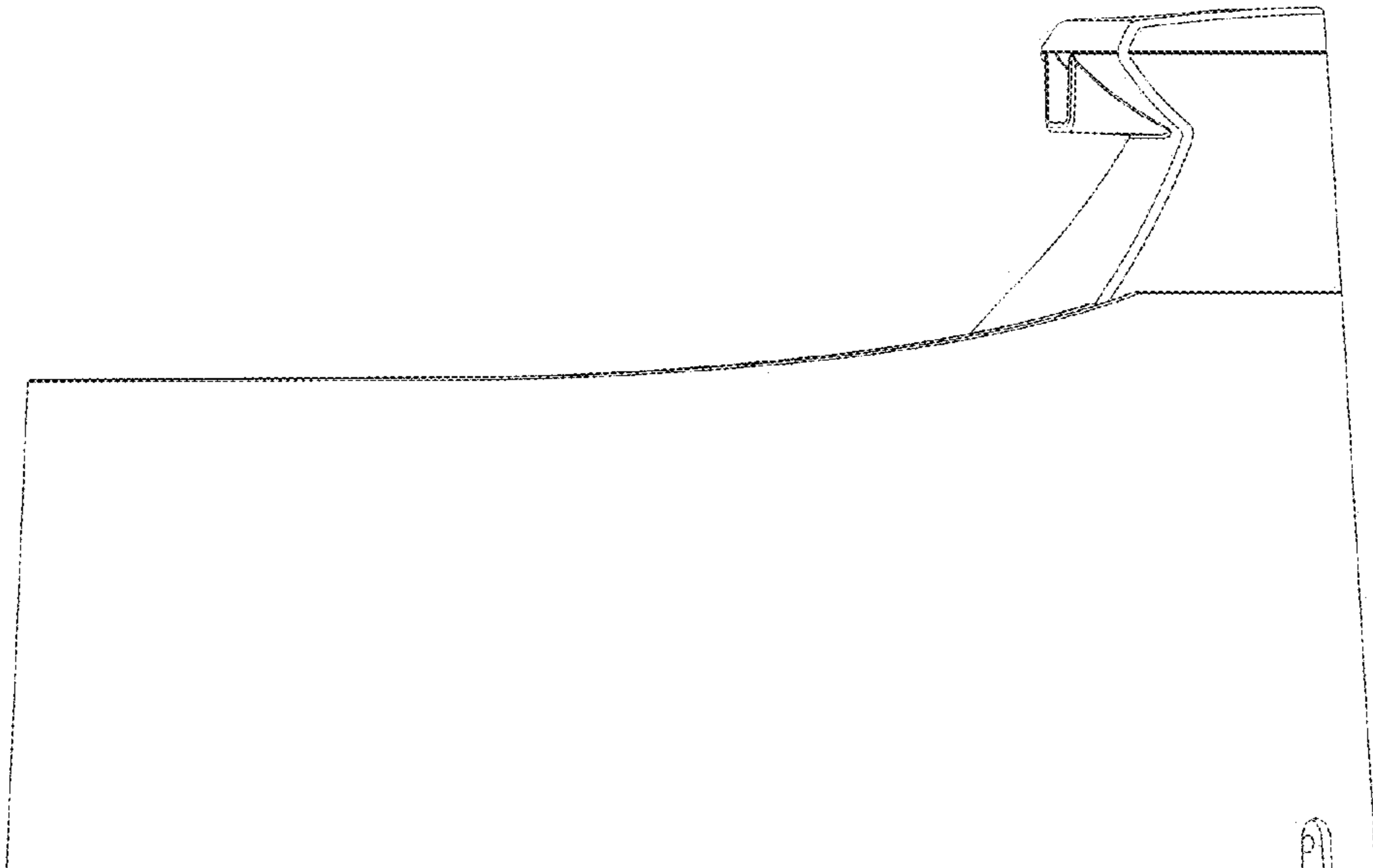


Fig.6

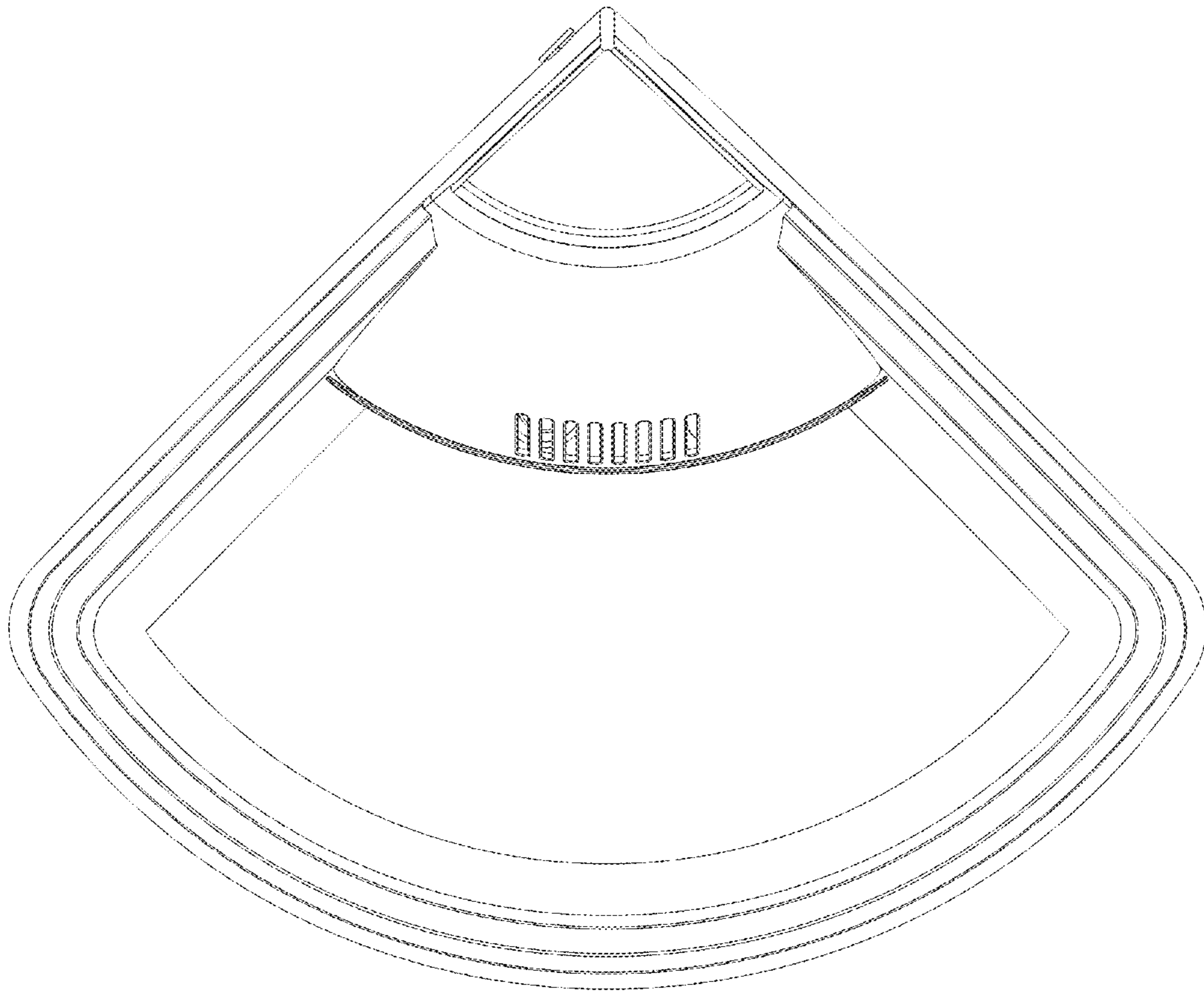


Fig.7