



US00D704389S

(12) **United States Design Patent**
Fang

(10) **Patent No.:** **US D704,389 S**
(45) **Date of Patent:** **** May 6, 2014**

- (54) **PET FOUNTAIN**
- (75) Inventor: **Kaixiang Fang**, Shenzhen (CN)
- (73) Assignee: **Shenzhen Xingrisheng Industrial Co., Ltd.**, Shenzhen (CN)
- (**) Term: **14 Years**
- (21) Appl. No.: **29/390,232**
- (22) Filed: **Apr. 21, 2011**
- (30) **Foreign Application Priority Data**
Oct. 25, 2010 (CN) 2010 3 0571701
- (51) **LOC (10) Cl.** **30-03**
- (52) **U.S. Cl.**
USPC **D30/132**
- (58) **Field of Classification Search**
USPC D30/123, 129, 132, 121; 119/69.5, 673, 119/57.8, 68, 74, 61.57, 78-81, 61.4, 57.9, 119/51.5, 61.5, 72; 47/66.6, 39, 67, 83; 239/27, 280, 200, 281, 280.5, 273, 16, 239/17, 20, 22; 4/644, 627, 638; D7/558; D11/144, 145, 153; D99/5, 24; 27/1; D23/201, 292; 248/127, 132, 137, 138, 248/158, 910; 215/10; D6/353, 352, 484, D6/360, 480, 488; 219/521; 329/442, 459
See application file for complete search history.

7,007,634	B1 *	3/2006	Pederson	119/78
D637,770	S *	5/2011	Lipscomb et al.	D30/132
8,011,324	B1 *	9/2011	Warganich	119/77
D648,904	S *	11/2011	Tedaldi et al.	D30/129
8,096,266	B2 *	1/2012	Rowe	119/74
D658,818	S *	5/2012	Lipscomb	D30/132
D658,819	S *	5/2012	Lipscomb et al.	D30/132
D659,301	S *	5/2012	Lipscomb et al.	D30/132
D665,134	S *	8/2012	Lipscomb et al.	D30/132
D677,018	S *	2/2013	Miller et al.	D30/132
D681,888	S *	5/2013	Fang	D30/132
D686,783	S *	7/2013	Pluss	D30/132
D692,623	S *	10/2013	Lipscomb	D30/132
D693,522	S *	11/2013	Miller et al.	D30/132
D694,477	S *	11/2013	Rowe et al.	D30/132
2006/0027179	A1 *	2/2006	Welbourne	119/75
2006/0231040	A1 *	10/2006	Bast et al.	119/77
2011/0259273	A1 *	10/2011	Lipscomb et al.	119/74
2012/0137979	A1 *	6/2012	Lipscomb et al.	119/74
2013/0019809	A1 *	1/2013	McCallum et al.	119/75
2013/0036981	A1 *	2/2013	Lipscomb et al.	119/74
2013/0087102	A1 *	4/2013	Lipscomb et al.	119/74
2013/0199454	A1 *	8/2013	Lipscomb	119/74
2013/0228508	A1 *	9/2013	Lipscomb et al.	210/435

* cited by examiner

Primary Examiner — Susan Moon Lee

(57) **CLAIM**

I claim the ornamental design for a pet fountain, as shown and described.

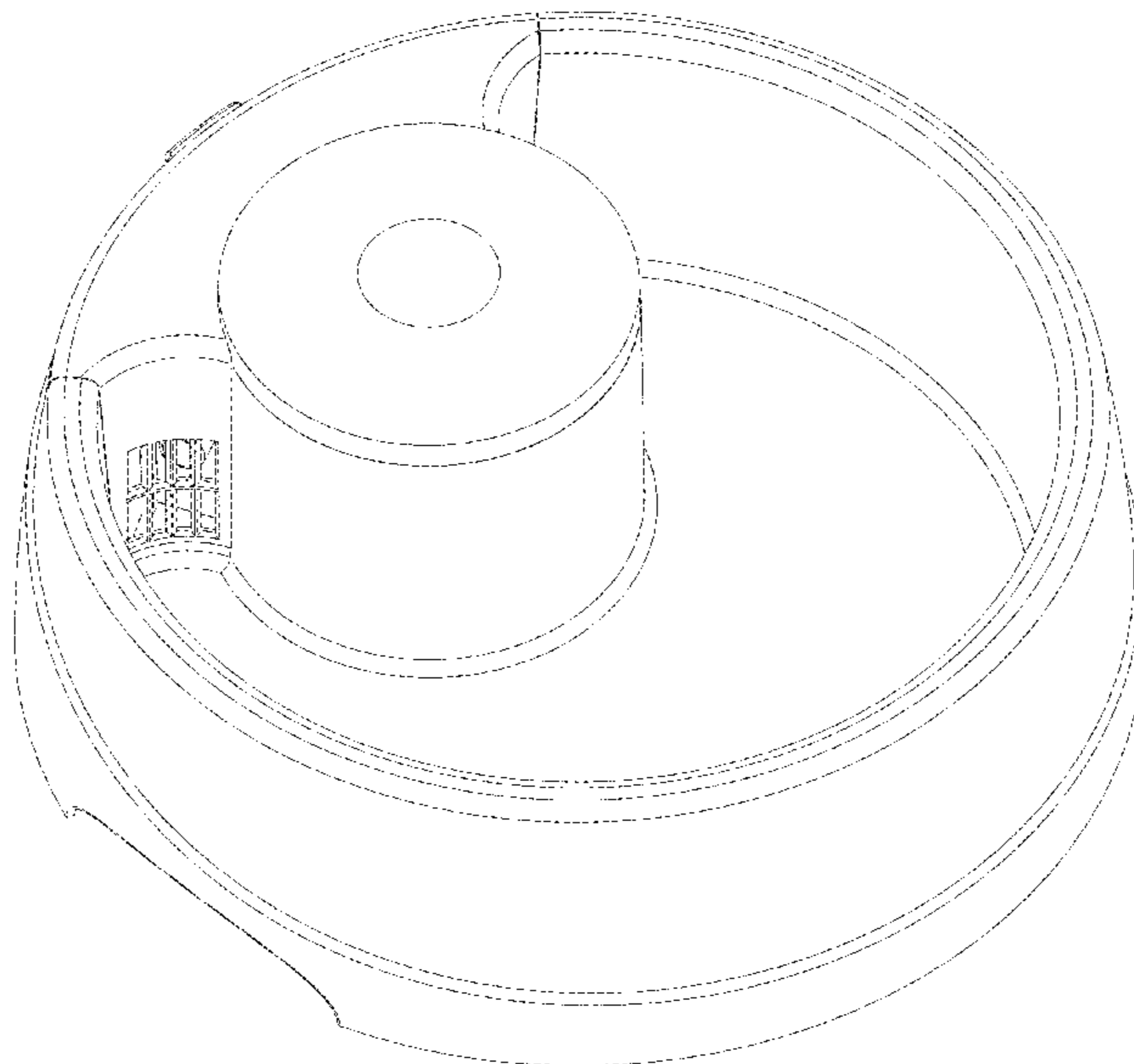
DESCRIPTION

FIG. 1 is a perspective view of a pet fountain showing my new design;
 FIG. 2 is another perspective view;
 FIG. 3 is a front view thereof;
 FIG. 4 is a rear view thereof;
 FIG. 5 is a left side view thereof;
 FIG. 6 is a right side view thereof; and,
 FIG. 7 is a top plan view thereof.

1 Claim, 5 Drawing Sheets

(56) **References Cited**
U.S. PATENT DOCUMENTS

3,324,834	A *	6/1967	McKinstry	119/78
4,470,371	A *	9/1984	Strickland	119/78
D334,251	S *	3/1993	Tiu	D30/122
5,195,463	A *	3/1993	Lorenzana et al.	119/77
D428,217	S *	7/2000	Rodack et al.	D30/132
6,212,804	B1 *	4/2001	Richard	40/406



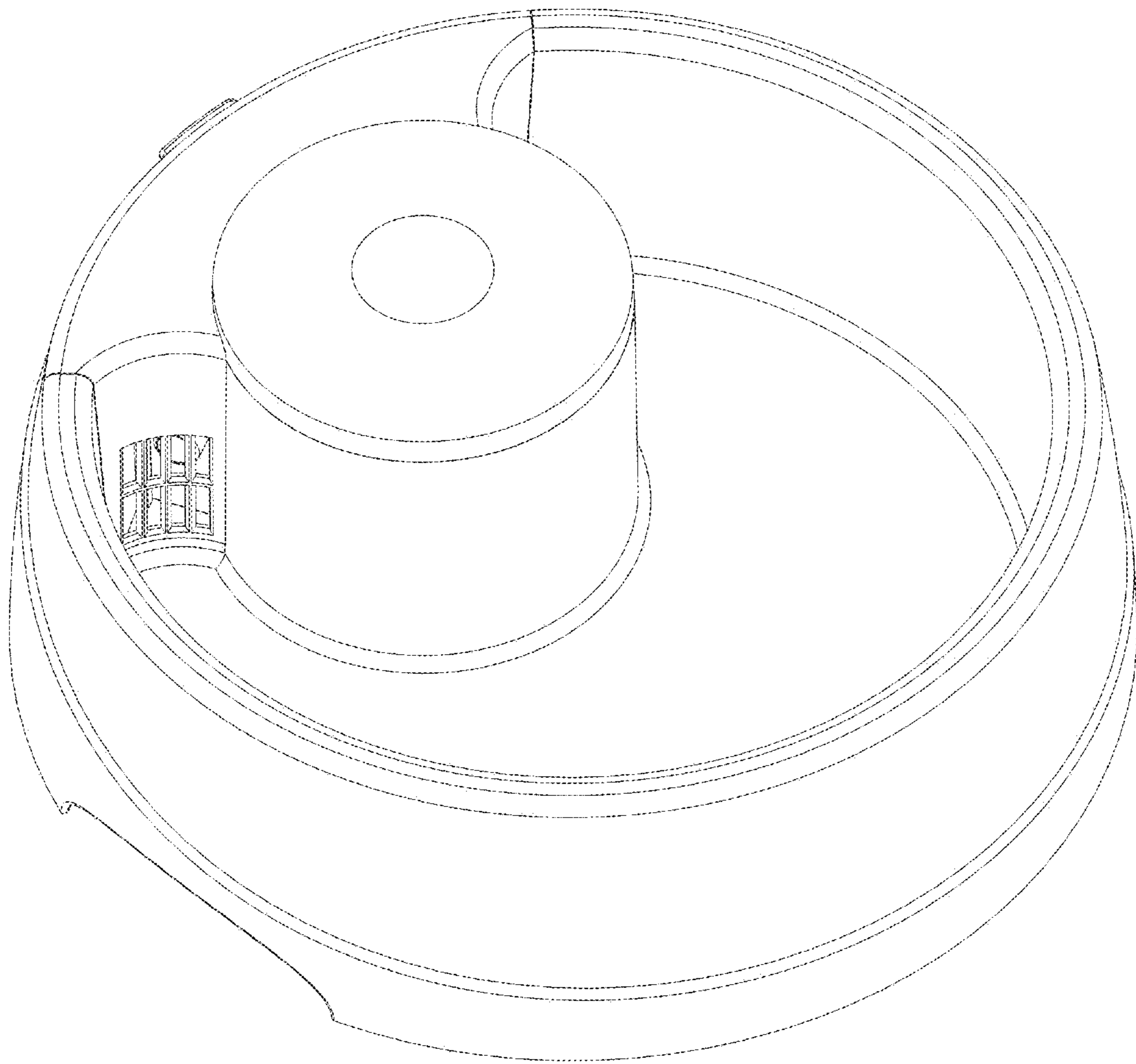


Fig. 1

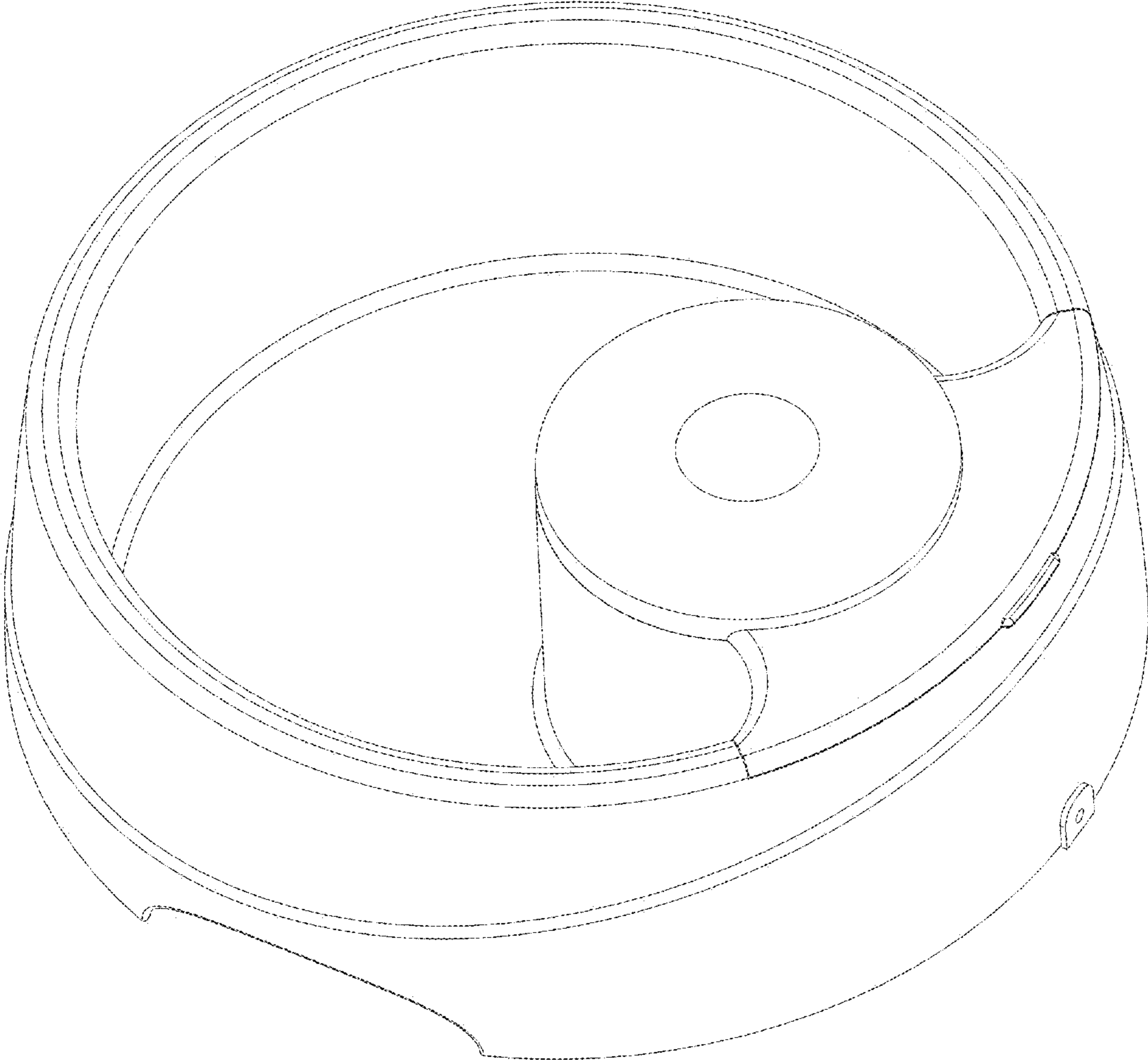


Fig. 2

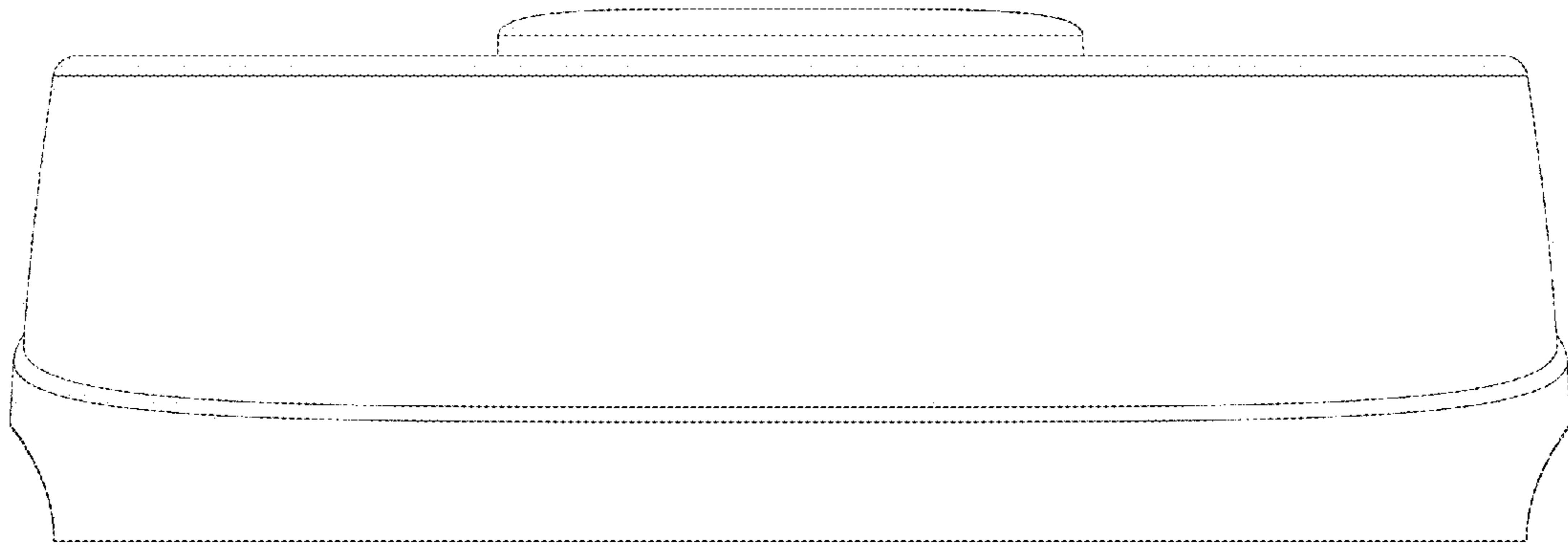


Fig. 3

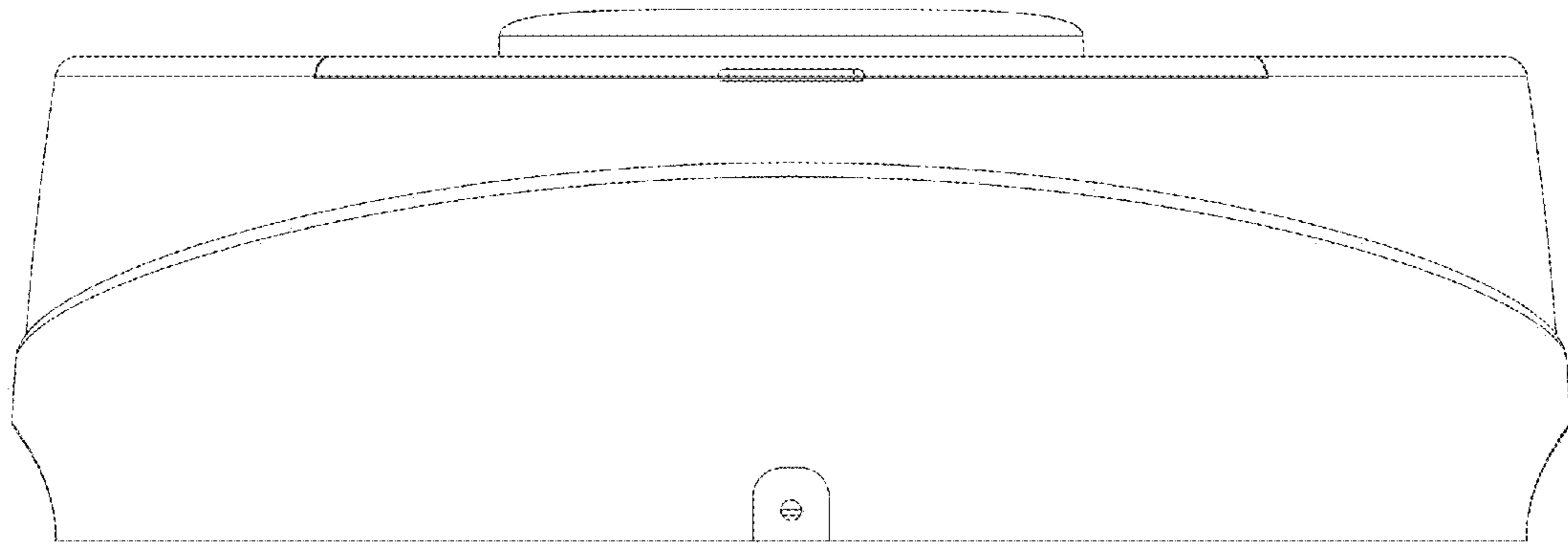


Fig. 4

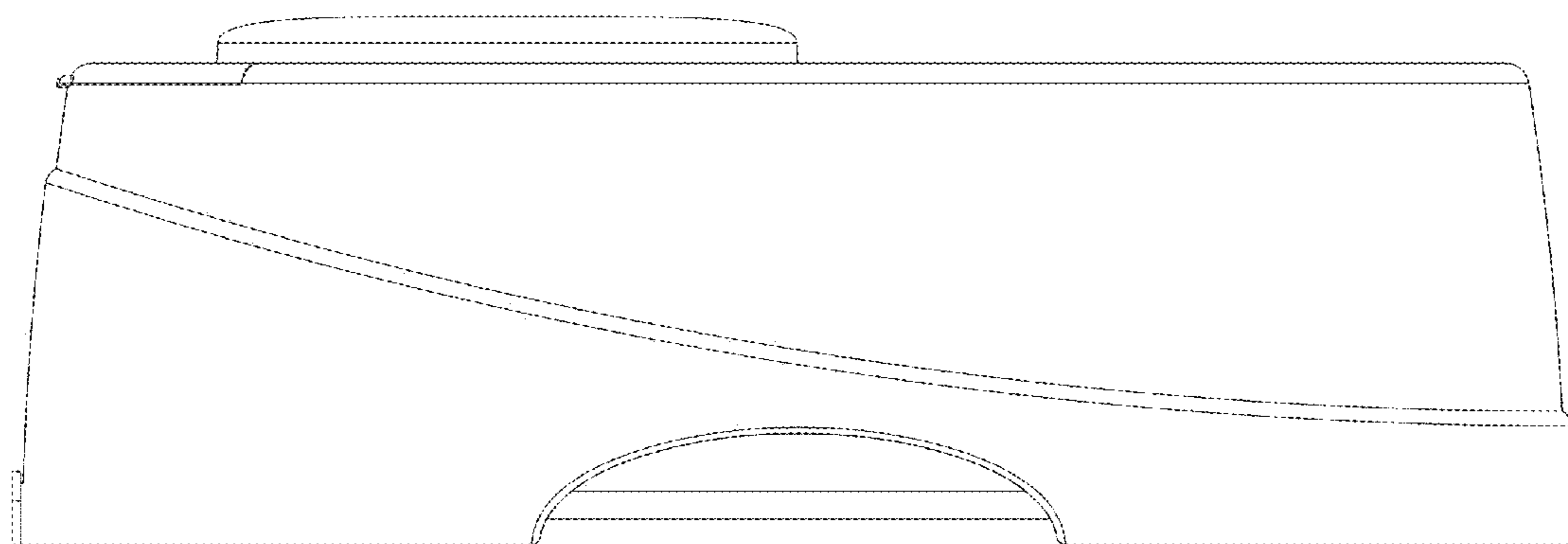


Fig. 5

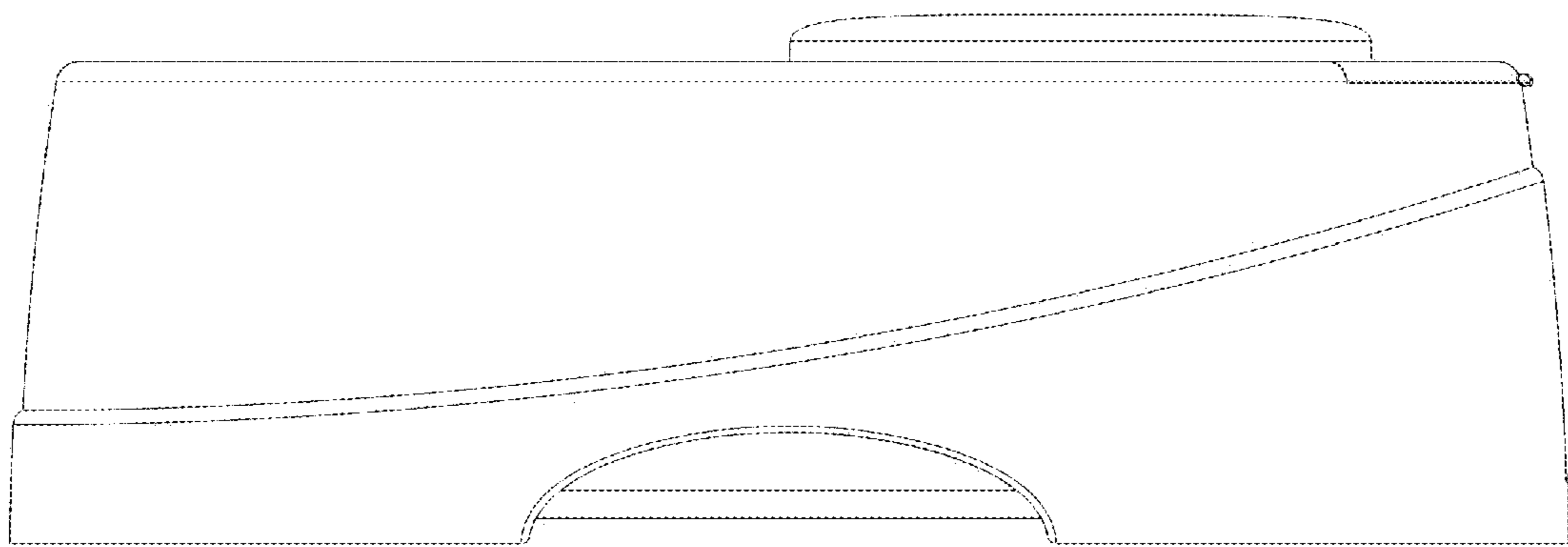


Fig. 6

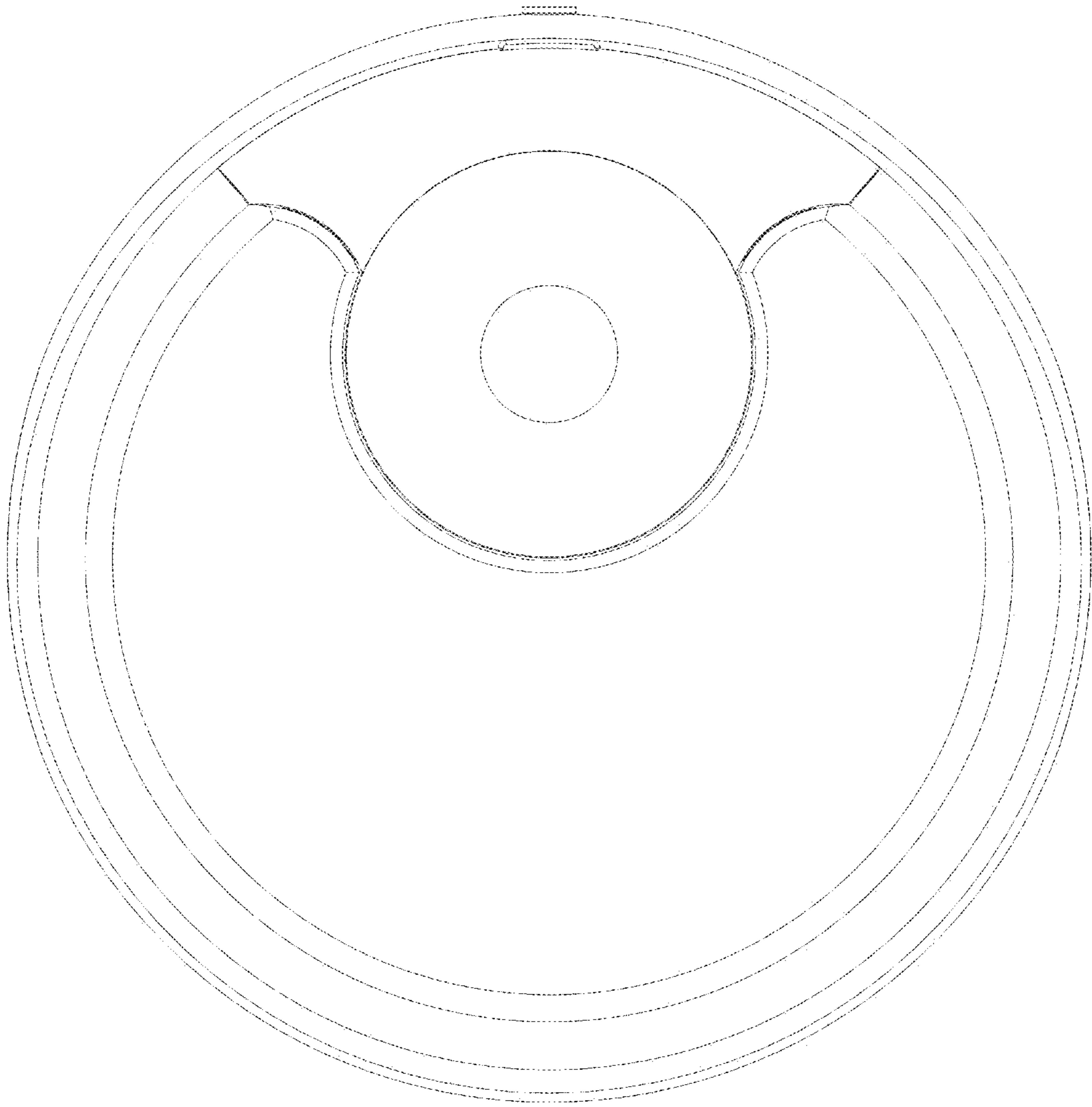


Fig. 7