



US00D704387S

(12) **United States Design Patent**  
**Shepland**

(10) **Patent No.:** **US D704,387 S**

(45) **Date of Patent:** **\*\* May 6, 2014**

(54) **BIRD FEEDER**

(71) Applicant: **Chapin Manufacturing, Inc.**, Batavia, NY (US)

(72) Inventor: **Lauren Ann Shepland**, Honeoye Falls, NY (US)

(73) Assignee: **Chapin Manufacturing, Inc.**, Batavia, NY (US)

(\*\*) Term: **14 Years**

(21) Appl. No.: **29/466,057**

(22) Filed: **Sep. 4, 2013**

(51) **LOC (10) Cl.** ..... **30-03**

(52) **U.S. Cl.**  
USPC ..... **D30/126**

(58) **Field of Classification Search**  
USPC ..... D30/110–112, 121, 124–128, 133;  
119/51.01, 52.2–52.4, 57.8, 57.9, 53,  
119/428, 429, 433–435, 469, 459; D26/67,  
D26/72, 118; D25/1, 16, 22, 23, 56  
See application file for complete search history.

(56) **References Cited**

**U.S. PATENT DOCUMENTS**

D85,555 S *	11/1931	Stebbins	.....	D25/7
D100,934 S *	8/1936	Artman	.....	D11/149
D107,176 S *	11/1937	Meyer	.....	D11/149
2,392,532 A *	1/1946	Hyde	.....	119/429
D189,023 S *	10/1960	Block	.....	D25/22
2,991,932 A *	7/1961	Block	.....	232/43.2
D194,550 S *	2/1963	Margolis	.....	D26/57
3,295,498 A *	1/1967	Brown	.....	119/429
D240,069 S *	5/1976	Lopez	.....	D11/149
D245,270 S *	8/1977	Williams et al.	.....	D30/106
D252,643 S *	8/1979	Kreusser	.....	D30/126
D258,107 S *	2/1981	Stevenson	.....	D7/332
D284,313 S *	6/1986	Sidney	.....	D26/94

D291,709 S *	9/1987	Davis	.....	D21/585
D297,272 S *	8/1988	Tucker et al.	.....	D30/126
D304,810 S *	11/1989	Thurman	.....	D11/149
D305,979 S *	2/1990	Parker	.....	D9/614
4,955,320 A *	9/1990	Zaccone	.....	119/57.8
5,048,461 A *	9/1991	Wessner	.....	119/52.3
D322,945 S *	1/1992	Bean	.....	D11/131
5,100,002 A *	3/1992	Garran	.....	206/577
5,134,970 A *	8/1992	Oh	.....	119/428
D362,075 S *	9/1995	Tebb	.....	D25/16
D375,998 S *	11/1996	Gore	.....	D23/201
5,826,539 A *	10/1998	Bloedorn	.....	119/52.2
D422,756 S *	4/2000	Geiger et al.	.....	D30/124
D435,320 S *	12/2000	Fick	.....	D30/110
6,418,878 B1 *	7/2002	Cathell et al.	.....	119/52.3
D483,528 S *	12/2003	Costa	.....	D30/111
D497,013 S *	10/2004	Hughes	.....	D25/151
D497,210 S *	10/2004	Averett et al.	.....	D25/33
D510,786 S *	10/2005	Laursen	.....	D1/104
D521,788 S *	5/2006	Nida	.....	D6/523
D545,006 S *	6/2007	Barszcz et al.	.....	D30/126
D547,012 S *	7/2007	Barszcz et al.	.....	D30/126

(Continued)

*Primary Examiner* — Susan Moon Lee

(74) *Attorney, Agent, or Firm* — Kenneth J. Lukacher Law Group

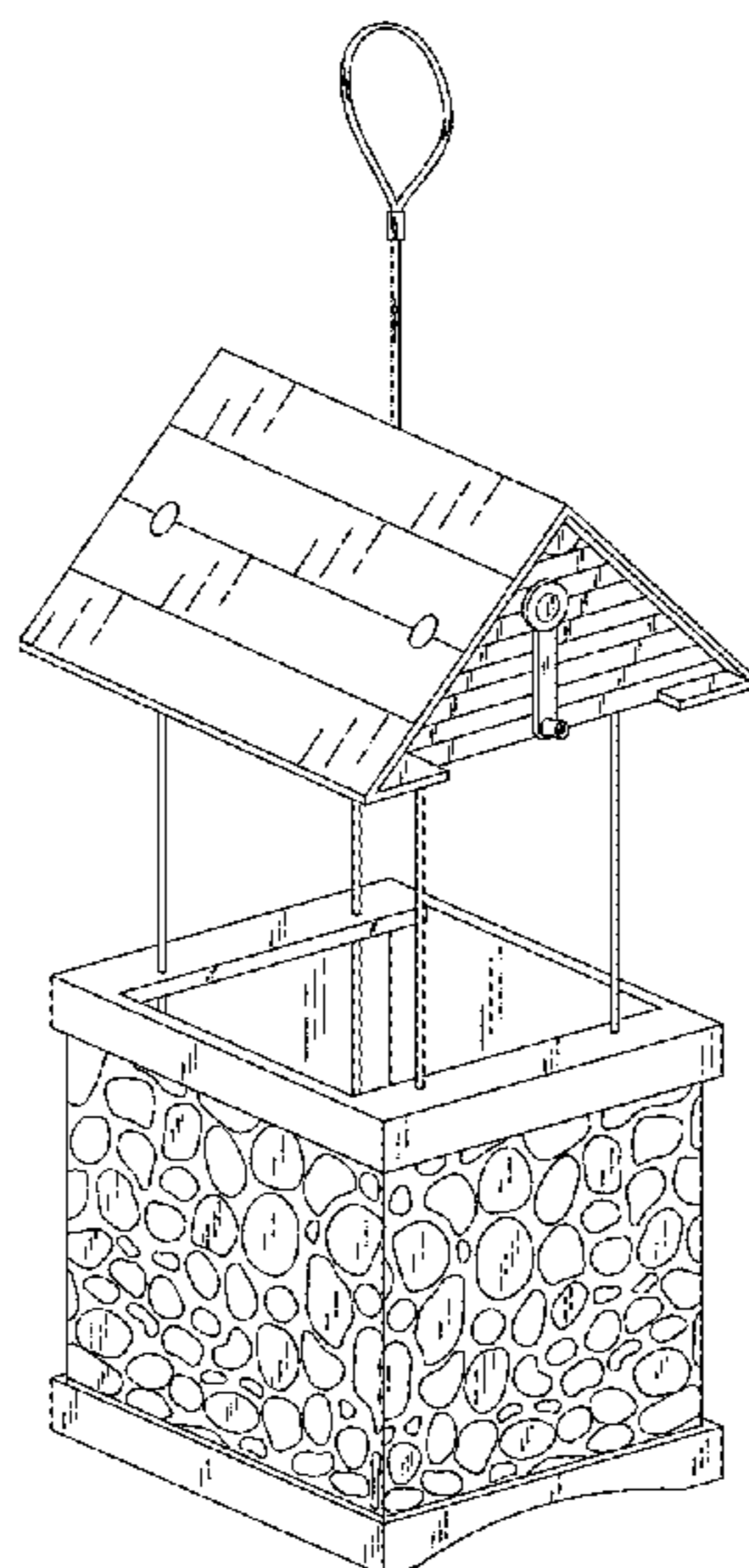
(57) **CLAIM**

The ornamental design for a bird feeder, as shown and described.

**DESCRIPTION**

FIG. 1 is a perspective view of a bird feeder in accordance with my design;  
FIG. 2 is a right side view thereof, the left side view being identical;  
FIG. 3 is a front elevated view thereof, the rear elevation being identical;  
FIG. 4 is a top view thereof; and,  
FIG. 5 is a bottom view thereof.

**1 Claim, 5 Drawing Sheets**



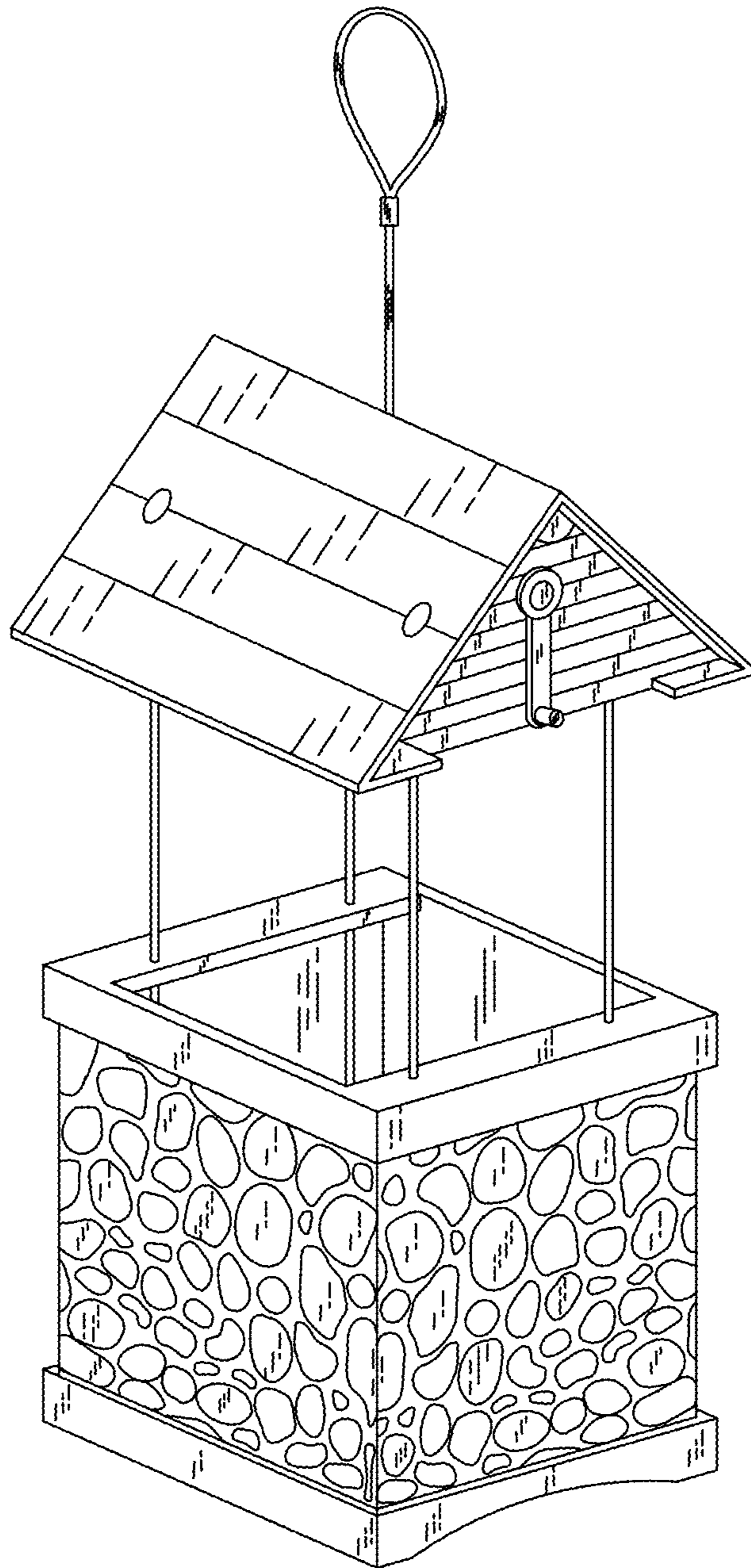
(56)

**References Cited**

U.S. PATENT DOCUMENTS

D547,504 S *	7/2007	Barszcz et al. ....	D30/126	D612,548 S *	3/2010	Campbell .....	D30/126
D556,627 S *	12/2007	Arev .....	D11/155	D619,200 S *	7/2010	Yousif .....	D23/200
				D674,725 S *	1/2013	Leinard .....	D11/160

\* cited by examiner



*FIG. 1*

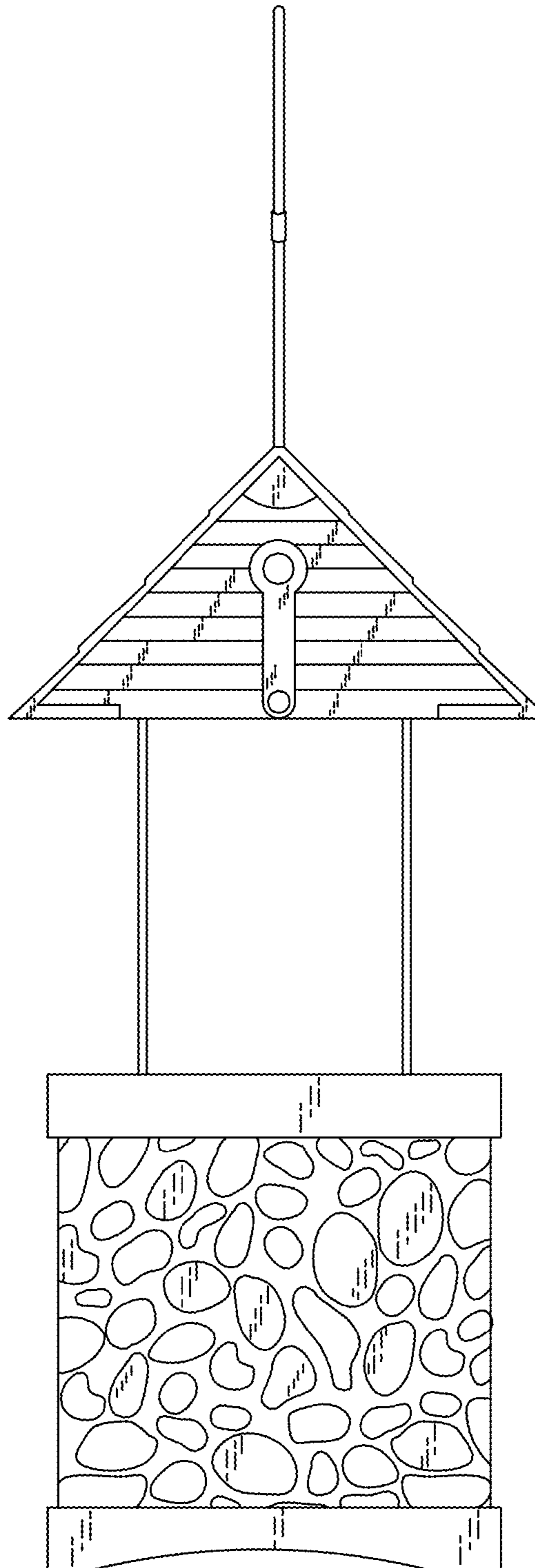


FIG. 2

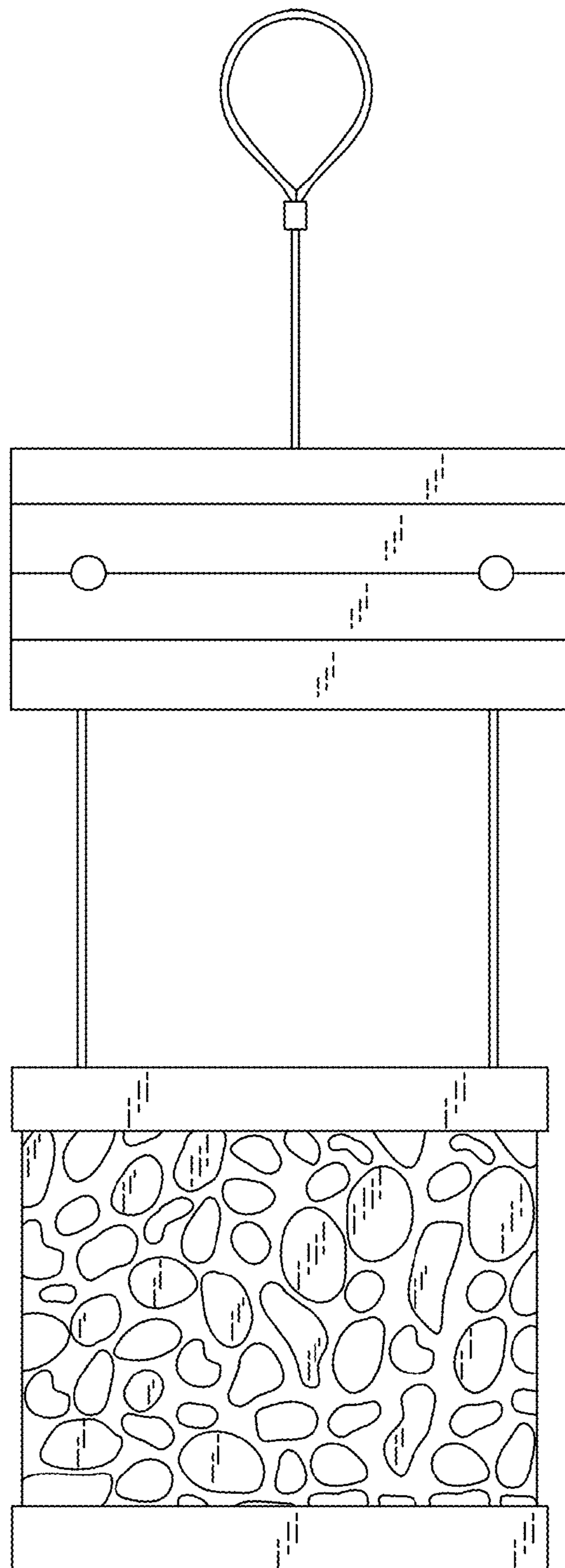
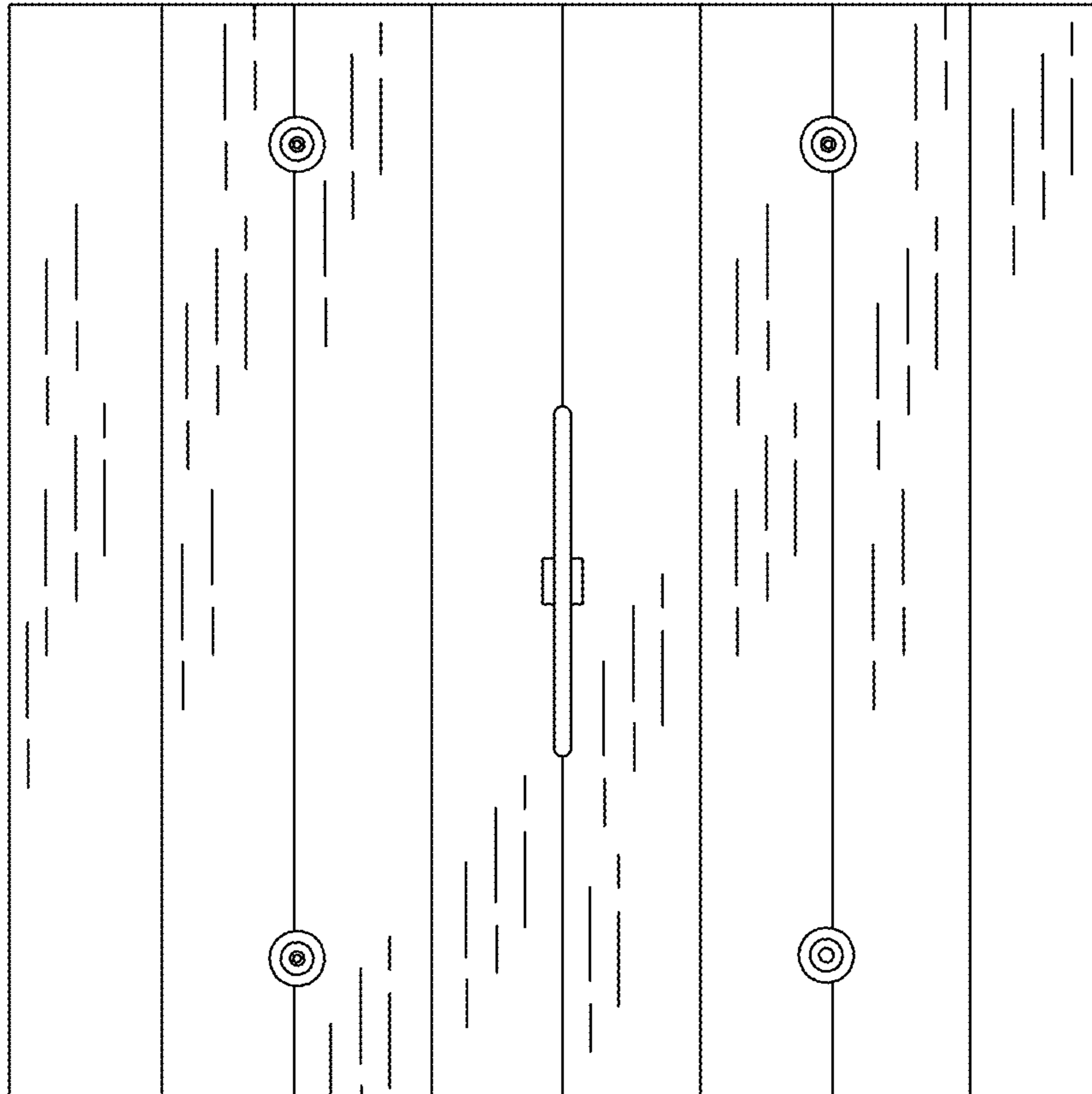
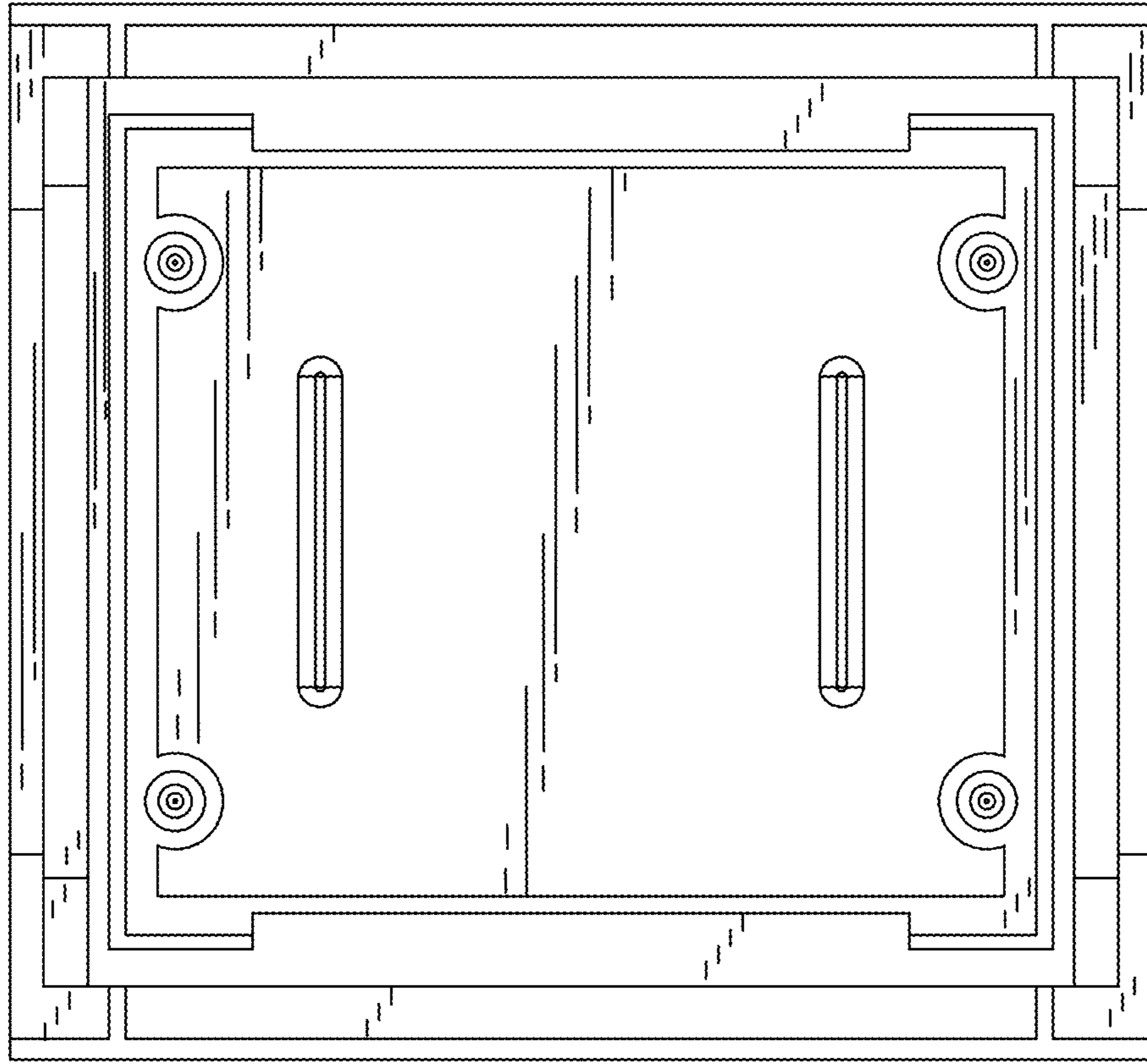


FIG. 3





*FIG. 4*



*FIG. 5*