

US00D704386S

(12) **United States Design Patent**
Woller et al.

(10) **Patent No.:** **US D704,386 S**
(45) **Date of Patent:** **** May 6, 2014**

(54) **GAME FEEDER LID**

(71) Applicant: **EBSCO Industries, Inc.**, Birmingham, AL (US)

(72) Inventors: **Ronald Ray Woller**, Decatur, AL (US);
Timothy Neil Morton, Alabaster, AL (US)

(**) Term: **14 Years**

(21) Appl. No.: **29/457,515**

(22) Filed: **Jun. 11, 2013**

1,790,045	A *	1/1931	Harvey	119/52.1
2,087,176	A *	7/1937	Webb	119/787
D115,321	S *	6/1939	Pueschel	D30/128
2,267,883	A *	12/1941	Wood	119/77
D138,542	S *	8/1944	Monson	D34/11
D163,967	S *	7/1951	Rosset	D23/206
2,654,623	A *	10/1953	Huggins	292/30
D171,327	S *	1/1954	Gould	D21/443
D174,139	S *	3/1955	Sadler	D30/128
2,726,833	A *	12/1955	Burgh	248/147
2,786,595	A *	3/1957	Nelson	220/212
2,828,176	A *	3/1958	Burgh	312/400
D183,626	S *	9/1958	Morrison	D21/444
2,890,681	A *	6/1959	Sack	119/52.4
3,090,354	A *	5/1963	Merritt et al.	119/52.4

(Continued)

Related U.S. Application Data

(62) Division of application No. 29/440,286, filed on Dec. 20, 2012, now Pat. No. Des. 691,770.

(51) **LOC (10) Cl.** **30-03**

(52) **U.S. Cl.**
USPC **D30/121**

(58) **Field of Classification Search**
USPC D30/133, 121, 122, 124, 127, 128, 132, D30/131; 119/51.01, 61, 51.04, 53, 57.91, 119/54, 53.5, 52.4, 51.11, 63, 61.2, 52.1, 119/57.5, 57.6, 51.13, 62, 75, 500, 501; 239/7, 687, 379, 397.5; 222/199, 222/181.1, 181.2, 185.1, 557, 156, 485, 222/486, 548, 555; 220/200, 227, 247, 262; 221/174, 185.1, 289, 295, 296, 559; 454/35; 209/270, 283, 244; 52/194, 52/192; 49/279, 344, 357; D34/28

See application file for complete search history.

(56) **References Cited**

U.S. PATENT DOCUMENTS

649,190 A * 5/1900 Zimmerman 473/149
882,985 A * 3/1908 Wilson 119/660

Primary Examiner — Susan Moon Lee

(74) *Attorney, Agent, or Firm* — Robert J. Veal; Veal Intellectual Property

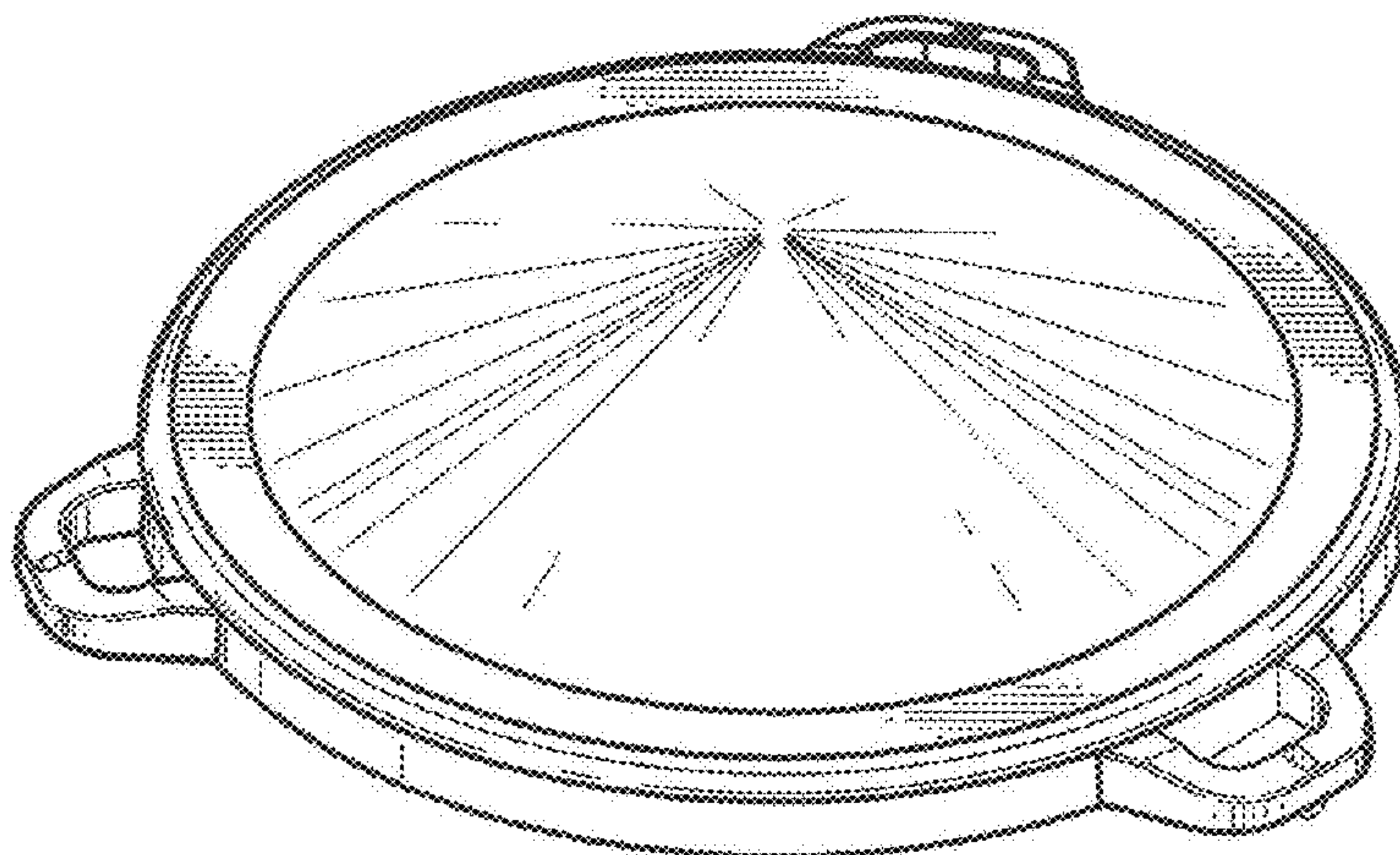
(57) **CLAIM**

The ornamental design for a game feeder lid, as shown and described.

DESCRIPTION

FIG. 1 is a top perspective view of the game feeder lid; FIG. 2 is a first side view of the game feeder lid; FIG. 3 is a second side view of the game feeder lid; FIG. 4 is a third side view of the game feeder lid; FIG. 5 is a rear view of the game feeder lid; FIG. 6 is a top plan view of the game feeder lid; and, FIG. 7 is a bottom view of the game feeder lid. Broken lines and unshaded portions contained within broken lines are not claimed.

1 Claim, 2 Drawing Sheets



(56)

References Cited

U.S. PATENT DOCUMENTS

- | | | | | | | | | | |
|-----------|-----|---------|--------------------|-----------|-----------|------|---------|------------------|-----------|
| 3,141,262 | A * | 7/1964 | Burton | 446/240 | 5,324,223 | A * | 6/1994 | Yang | 446/46 |
| 3,270,993 | A * | 9/1966 | Montague | 248/147 | D350,783 | S * | 9/1994 | Bacon | D21/443 |
| 3,316,884 | A * | 5/1967 | Viggars | 119/52.3 | D351,692 | S * | 10/1994 | Cossey | D30/154 |
| D208,334 | S * | 8/1967 | Gerds | D9/452 | D351,704 | S * | 10/1994 | Breen | D34/11 |
| 3,336,065 | A * | 8/1967 | Roberson | 292/30 | D351,706 | S * | 10/1994 | Breen | D34/11 |
| D209,241 | S * | 11/1967 | Baum et al. | D34/11 | 5,366,403 | A * | 11/1994 | Weiss | 446/46 |
| 3,359,678 | A * | 12/1967 | Headrick | 446/46 | 5,480,334 | A * | 1/1996 | Wilson et al. | 446/46 |
| D209,763 | S * | 1/1968 | Mueller | D21/444 | D369,191 | S * | 4/1996 | Dunipace | D21/443 |
| 3,508,360 | A * | 4/1970 | Williams | 446/46 | D372,348 | S * | 7/1996 | Rudolph et al. | D32/31 |
| 3,547,081 | A * | 12/1970 | Geerlings | 119/51.11 | 5,531,624 | A * | 7/1996 | Dunipace | 446/46 |
| D225,250 | S * | 11/1972 | Sun | D21/444 | 5,535,910 | A * | 7/1996 | Cassel | 220/212 |
| D226,429 | S * | 3/1973 | Onalaska | D22/107 | 5,540,610 | A * | 7/1996 | Sneddon | 446/46 |
| 3,724,122 | A * | 4/1973 | Gillespie, Sr. | 446/46 | 5,549,585 | A * | 8/1996 | Maher et al. | 604/317 |
| D230,139 | S * | 1/1974 | Bart | D9/452 | D378,987 | S * | 4/1997 | Ross | D8/356 |
| 3,852,910 | A * | 12/1974 | Everett | 446/46 | D381,162 | S * | 7/1997 | Berend et al. | D34/11 |
| D237,689 | S * | 11/1975 | Davis | D9/452 | D386,221 | S * | 11/1997 | Ybanez | D21/443 |
| 3,941,096 | A * | 3/1976 | Mann | 119/657 | D388,134 | S * | 12/1997 | Dunipace | D21/443 |
| D241,917 | S * | 10/1976 | Borum | D9/452 | D393,125 | S * | 3/1998 | Doty | D34/11 |
| 4,023,533 | A * | 5/1977 | Mann | 119/657 | D397,529 | S * | 8/1998 | Fuller et al. | D30/124 |
| D244,786 | S * | 6/1977 | Dryden | D30/128 | 5,794,563 | A * | 8/1998 | Klepac | 119/57.91 |
| 4,027,627 | A * | 6/1977 | Fillion | 119/51.11 | D398,424 | S * | 9/1998 | Wenstrand | D30/121 |
| 4,096,659 | A * | 6/1978 | Keane | 446/240 | 5,829,382 | A * | 11/1998 | Garrison | 119/52.2 |
| D248,611 | S * | 7/1978 | Dingwall | D34/7 | D403,584 | S * | 1/1999 | Bakic | D9/454 |
| 4,117,626 | A * | 10/1978 | Kifferstein et al. | 446/47 | D411,800 | S * | 7/1999 | Kokenge et al. | D9/454 |
| 4,132,029 | A * | 1/1979 | Thompson et al. | 446/48 | D412,724 | S * | 8/1999 | Raundahl | D21/443 |
| 4,132,030 | A * | 1/1979 | Lehman | 446/46 | 5,934,966 | A * | 8/1999 | Ward | 446/46 |
| 4,135,325 | A * | 1/1979 | Lehman | 446/46 | D418,655 | S * | 1/2000 | Conti | D34/11 |
| 4,165,580 | A * | 8/1979 | Miura | 446/46 | D430,262 | S * | 8/2000 | Morrison | D23/206 |
| 4,183,168 | A * | 1/1980 | Ross | 446/255 | 6,106,355 | A * | 8/2000 | Hoerner | 446/46 |
| 4,205,484 | A * | 6/1980 | Kovac et al. | 446/46 | D436,866 | S * | 1/2001 | Freeman | D9/452 |
| D256,088 | S * | 7/1980 | Gedye | D34/11 | 6,174,214 | B1 * | 1/2001 | Cooper | 446/46 |
| 4,209,936 | A * | 7/1980 | Sklar | 446/46 | D440,002 | S * | 4/2001 | Miranda | D26/87 |
| 4,212,131 | A * | 7/1980 | Ross, Jr. | 446/48 | 6,253,706 | B1 * | 7/2001 | Sloop | 119/57.9 |
| 4,216,611 | A * | 8/1980 | Psyra | 446/46 | D448,669 | S * | 10/2001 | Carducci et al. | D9/454 |
| D258,258 | S * | 2/1981 | Haddock | D34/7 | 6,412,442 | B1 * | 7/2002 | Bean | 119/701 |
| D260,786 | S * | 9/1981 | Chaklos | D21/443 | 6,427,629 | B1 * | 8/2002 | Lush | 119/52.1 |
| 4,295,508 | A * | 10/1981 | Metzger | 220/320 | D464,380 | S * | 10/2002 | Hu | D21/443 |
| 4,297,809 | A * | 11/1981 | Branson | 446/46 | D466,562 | S * | 12/2002 | Peterson | D21/443 |
| 4,302,901 | A * | 12/1981 | Psyra | 446/46 | 6,488,598 | B2 * | 12/2002 | Porter | 473/450 |
| D266,486 | S * | 10/1982 | Lutz | D9/503 | D469,239 | S * | 1/2003 | Hodgdon | D1/130 |
| D268,613 | S * | 4/1983 | Beacham | D23/369 | 6,554,674 | B1 * | 4/2003 | Thorne, III | 446/46 |
| D271,001 | S * | 10/1983 | Montoya | D9/454 | D475,504 | S * | 6/2003 | Hodgdon | D1/130 |
| 4,516,947 | A * | 5/1985 | Pircher et al. | 446/46 | D476,127 | S * | 6/2003 | Zeyha et al. | D34/7 |
| 4,538,548 | A * | 9/1985 | Page | 119/52.1 | D478,944 | S * | 8/2003 | Peterson | D21/443 |
| D282,089 | S * | 1/1986 | Andersen | D21/443 | D480,526 | S * | 10/2003 | Hardy et al. | D34/7 |
| D284,270 | S * | 6/1986 | Pearce | D9/454 | D486,946 | S * | 2/2004 | Castro | D30/121 |
| 4,600,398 | A * | 7/1986 | Fraga | 446/240 | D488,889 | S * | 4/2004 | Walsh | D30/121 |
| D285,840 | S * | 9/1986 | Poon | D26/42 | 6,726,521 | B2 * | 4/2004 | Peterson | 446/46 |
| D293,038 | S * | 12/1987 | Kepiro | D34/7 | D495,347 | S * | 8/2004 | Erbach | D15/138 |
| 4,712,512 | A * | 12/1987 | Schreib et al. | 119/52.2 | D497,226 | S * | 10/2004 | Nauert | D30/199 |
| D295,429 | S * | 4/1988 | Sandeen | D21/443 | 6,840,836 | B1 * | 1/2005 | Siverson | 446/46 |
| D297,298 | S * | 8/1988 | Sarnoff et al. | D7/391 | 6,860,783 | B1 * | 3/2005 | Kucha et al. | 446/46 |
| 4,896,628 | A * | 1/1990 | Kadunce | 119/52.2 | 6,866,004 | B1 * | 3/2005 | Lush | 119/52.1 |
| 4,906,007 | A * | 3/1990 | Mitchell et al. | 473/589 | D505,755 | S * | 5/2005 | Lundstrom et al. | D30/128 |
| D307,713 | S * | 5/1990 | Groves | D9/503 | 6,920,842 | B1 * | 7/2005 | Davis | 119/53 |
| D309,963 | S * | 8/1990 | Cureton | D30/122 | D512,541 | S * | 12/2005 | Byrne | D30/160 |
| 4,955,842 | A * | 9/1990 | Marcotti | 446/46 | 7,028,635 | B1 * | 4/2006 | Eastman, II | 119/51.11 |
| D312,103 | S * | 11/1990 | Lenox | D21/443 | 7,032,538 | B1 * | 4/2006 | Lush | 119/52.1 |
| D312,160 | S * | 11/1990 | Calvi | D34/7 | D527,428 | S * | 8/2006 | Cooper | D21/443 |
| D314,514 | S * | 2/1991 | Ten Eyck et al. | D9/447 | D536,853 | S * | 2/2007 | Presnell | D34/7 |
| 5,033,411 | A * | 7/1991 | Brucker | 119/52.2 | D538,586 | S * | 3/2007 | Kaposi | D7/391 |
| D321,575 | S * | 11/1991 | Corps | D34/7 | 7,185,605 | B1 * | 3/2007 | Lush | 119/52.2 |
| 5,078,637 | A * | 1/1992 | McFarland | 446/46 | 7,217,169 | B1 * | 5/2007 | Anderson | 446/46 |
| D326,342 | S * | 5/1992 | Doxey et al. | D34/7 | D548,409 | S * | 8/2007 | Renforth et al. | D30/160 |
| D327,849 | S * | 7/1992 | Armstrong | D9/453 | D556,388 | S * | 11/2007 | Webb | D30/133 |
| D333,025 | S * | 2/1993 | Doherty | D34/7 | D559,920 | S * | 1/2008 | Krueger et al. | D21/443 |
| D333,715 | S * | 3/1993 | Mahler | D34/11 | D564,877 | S * | 3/2008 | Hood et al. | D9/454 |
| D334,450 | S * | 3/1993 | Rapaz | D34/11 | 7,373,901 | B2 * | 5/2008 | Baynard | 119/57.9 |
| 5,191,857 | A * | 3/1993 | Boaz | 119/52.3 | D572,315 | S * | 7/2008 | Sowinski | D21/443 |
| D336,119 | S * | 6/1993 | Bridge, Jr. | D21/443 | 7,409,922 | B1 * | 8/2008 | Baynard et al. | 119/52.3 |
| 5,269,716 | A * | 12/1993 | Viola | 446/48 | 7,503,282 | B1 * | 3/2009 | Lush | 119/52.2 |
| D343,038 | S * | 1/1994 | Gammons et al. | D34/11 | 7,506,611 | B1 * | 3/2009 | Lush | 119/52.1 |
| 5,277,641 | A * | 1/1994 | Gable et al. | 446/46 | D597,725 | S * | 8/2009 | Smeaton | D34/39 |
| 5,291,855 | A * | 3/1994 | Laverty | 119/52.3 | D604,436 | S * | 11/2009 | Poon | D26/40 |
| D346,626 | S * | 5/1994 | St. Lawrence | D21/443 | 7,610,875 | B2 * | 11/2009 | Webber | 119/57.8 |
| | | | | | D609,774 | S * | 2/2010 | Ryman | D23/206 |
| | | | | | 7,682,214 | B2 * | 3/2010 | Barniak, Jr. | 446/46 |
| | | | | | 7,726,259 | B2 * | 6/2010 | Hepp et al. | 119/57.9 |
| | | | | | D620,666 | S * | 7/2010 | Colondona | D34/7 |

(56)

References Cited

U.S. PATENT DOCUMENTS

7,780,027	B2 *	8/2010	Coady	220/23.86					
D630,802	S *	1/2011	Meritt	D30/121					
7,976,355	B2 *	7/2011	McAnulty	446/46					
D649,302	S *	11/2011	Hickok	D30/127					
8,096,265	B1 *	1/2012	Wisecarver	119/57.1					
8,230,809	B2 *	7/2012	Cote	119/52.3					
D665,036	S *	8/2012	Wechsler	D21/444					
D673,451	S *	1/2013	Harvey et al.	D9/452					
8,353,260	B1 *	1/2013	Wenstrand	119/657					
D677,016	S *	2/2013	Carter	D30/127					
D679,453	S *	4/2013	Krueger et al.	D30/128					
					D691,698	S *	10/2013	Frey	D23/206
					D691,770	S *	10/2013	Woller et al.	D30/121
					D692,191	S *	10/2013	Stephens et al.	D30/127
					2003/0226514	A1 *	12/2003	Cote	119/57.9
					2004/0089245	A1 *	5/2004	Markham	119/709
					2005/0034681	A1 *	2/2005	Block	119/707
					2005/0061258	A1 *	3/2005	Block	119/707
					2005/0092258	A1 *	5/2005	Markham	119/707
					2006/0048712	A1 *	3/2006	Boyer	119/57.91
					2006/0225658	A1 *	10/2006	Baynard	119/57.8
					2008/0135557	A1 *	6/2008	Williams	220/288
					2009/0031962	A1 *	2/2009	Webber	119/57.9
					2011/0067637	A1 *	3/2011	Baynard	119/57.9
					2011/0083609	A1 *	4/2011	Cote	119/52.2

* cited by examiner

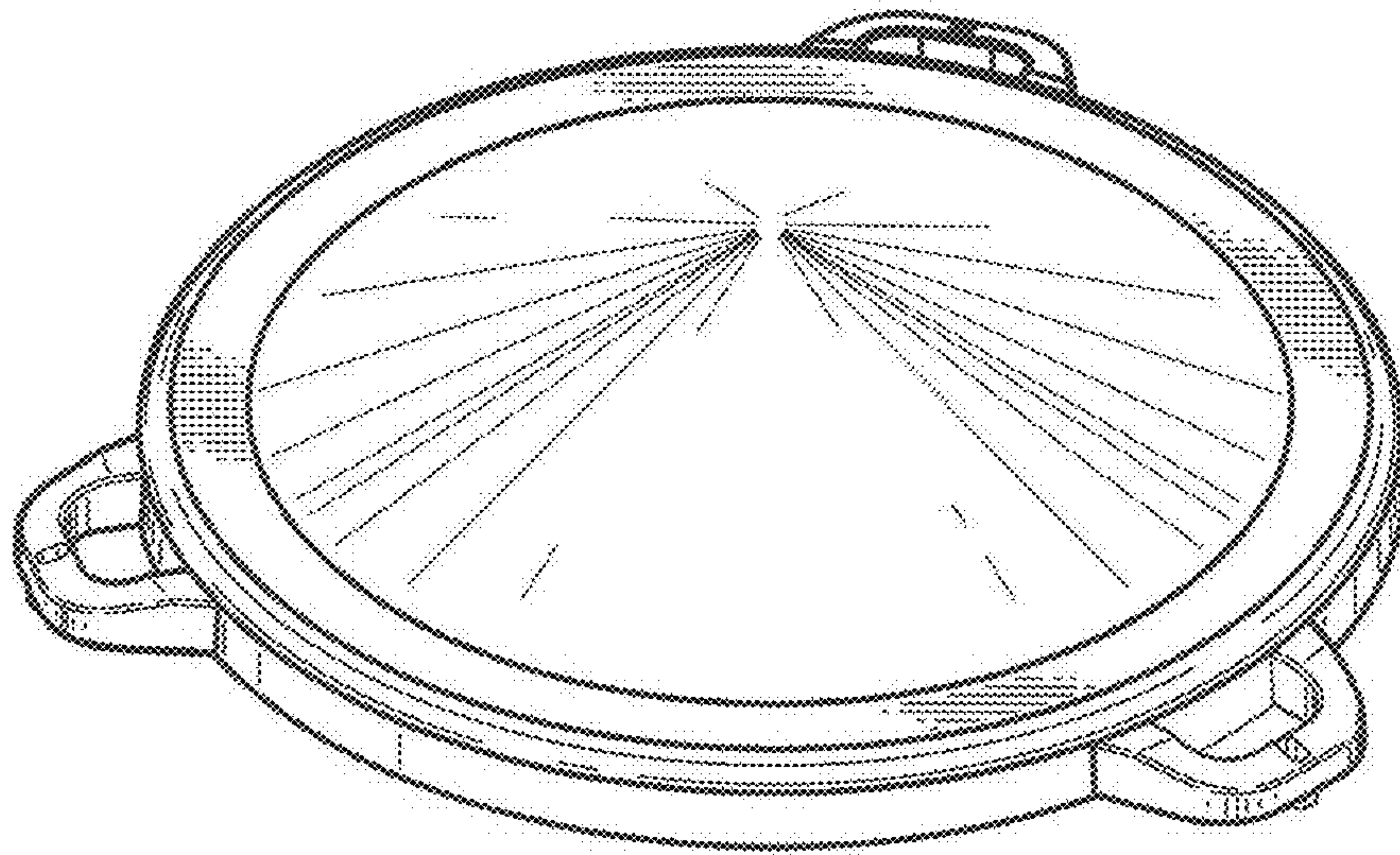


FIG. 1



FIG. 2



FIG. 3



FIG. 4



FIG. 5

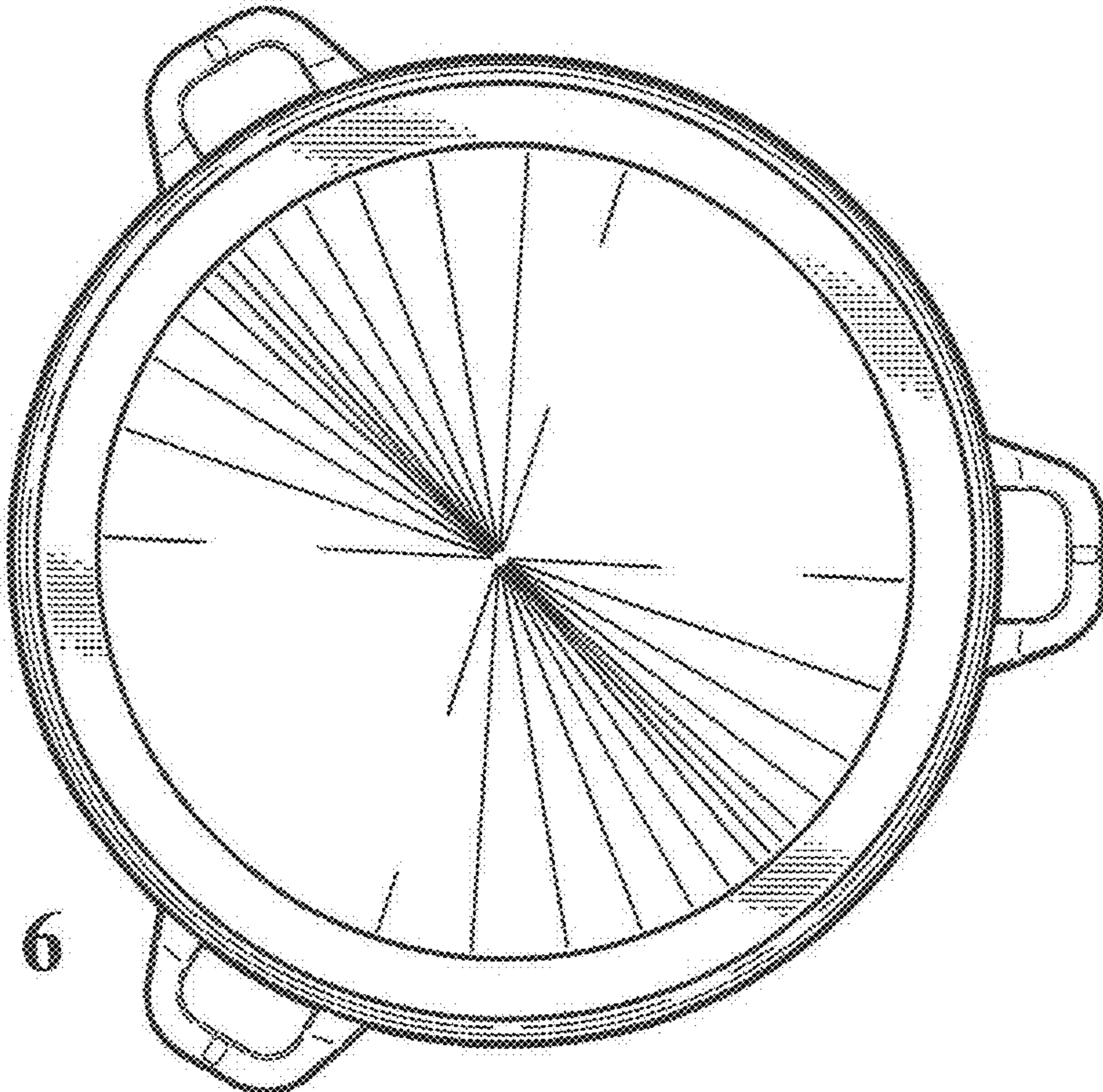


FIG. 6

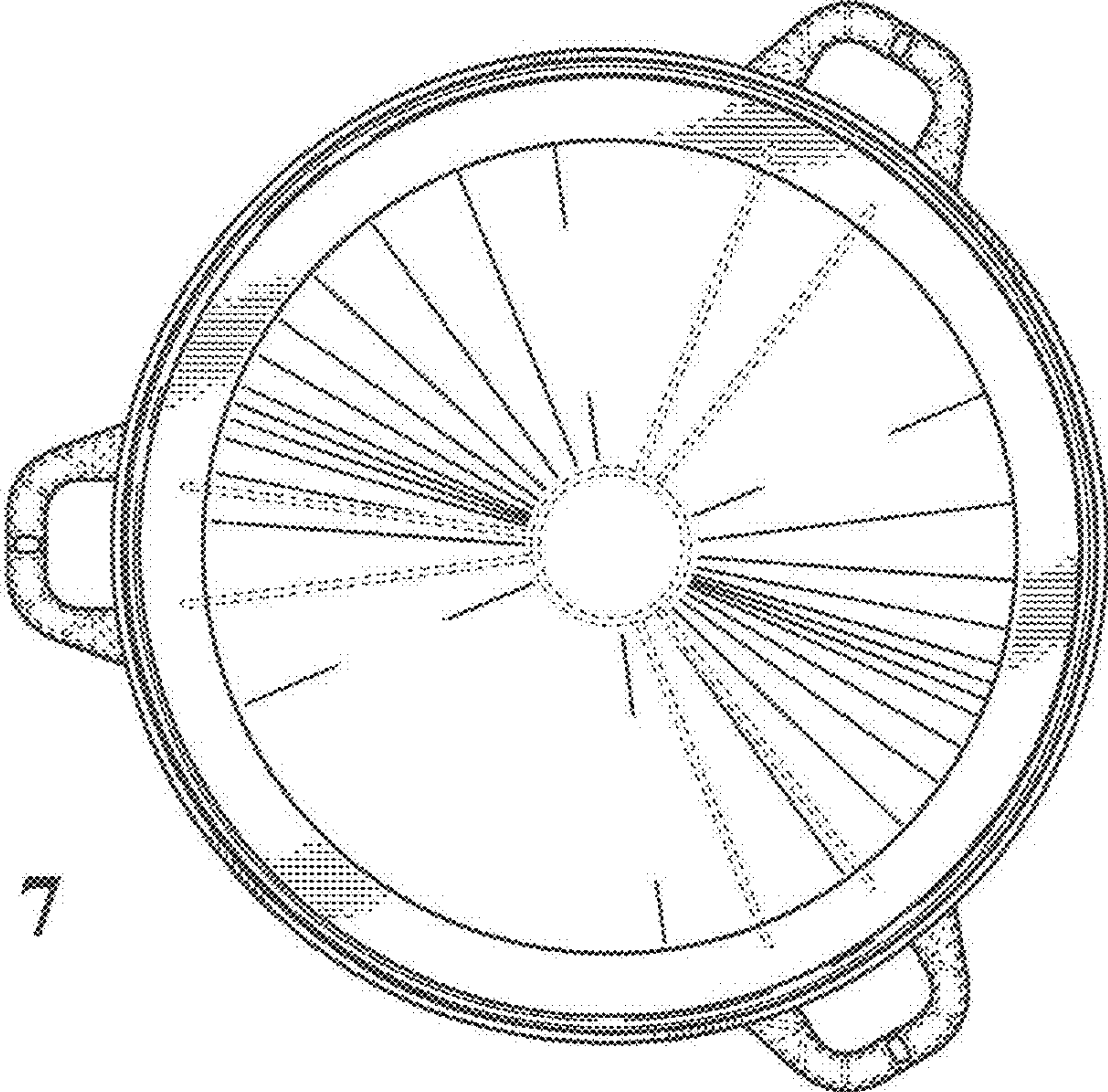


FIG. 7