



US00D704384S

(12) **United States Design Patent**
Worsley et al.

(10) **Patent No.:** **US D704,384 S**
(45) **Date of Patent:** **** May 6, 2014**

- (54) **ANIMAL FEEDER**
- (71) Applicants: **David R. Worsley**, Lamar, MO (US);
Michael R. Hurt, Lamar, MO (US)
- (72) Inventors: **David R. Worsley**, Lamar, MO (US);
Michael R. Hurt, Lamar, MO (US)
- (73) Assignee: **Redneck Outdoor Products, LLC**,
Lamar, MO (US)
- (**) Term: **14 Years**
- (21) Appl. No.: **29/449,645**
- (22) Filed: **Mar. 15, 2013**
- (51) **LOC (10) Cl.** **30-03**
- (52) **U.S. Cl.**
USPC **D30/121**
- (58) **Field of Classification Search**
USPC D30/133, 121, 122, 124, 127, 128, 132;
119/51.01, 61, 51.04, 53, 57.91, 54,
119/53.5, 52.4, 51.11, 63, 61.2, 52.1, 57.5,
119/57.6, 51.13, 62, 75, 500, 501; 239/7,
239/687, 379, 397.5; 222/199, 181.1,
222/181.2, 185.1, 557, 156, 485, 486, 548,
222/555; 220/200, 227, 247, 262; 221/174,
221/185.1, 289, 295, 296, 559; 454/35;
209/270, 283, 244; 52/194, 192;
49/279, 344, 357; D34/28
See application file for complete search history.

1,022,774	A *	4/1912	De Julio	222/368
D46,699	S *	11/1914	Schuling	D7/589
1,595,758	A *	8/1926	Collins	119/54
1,755,706	A *	4/1930	St George	119/464
D86,284	S *	2/1932	Spino	D7/589
1,950,160	A *	3/1934	Blank	222/160
2,259,710	A *	10/1941	Stern	222/41
2,260,430	A *	10/1941	Blasingame	141/334
D142,793	S *	11/1945	Running et al.	D30/131
2,421,214	A *	5/1947	Morey	119/52.1
2,683,440	A *	7/1954	Klix	119/57.8
2,699,752	A *	1/1955	Reyes	119/464
2,920,796	A *	1/1960	Field	222/185.1
2,988,047	A *	6/1961	Hurdle	119/52.4
3,065,873	A *	11/1962	Plate	215/11.1
3,152,575	A *	10/1964	Singley et al.	119/56.1
3,165,241	A *	1/1965	Curry	222/490
3,169,675	A *	2/1965	Gutzmann et al.	222/360
3,171,385	A *	3/1965	Decker et al.	119/51.11
3,204,833	A *	9/1965	Weitzner	222/355
D218,773	S *	9/1970	Sitts	D7/700
D220,121	S *	3/1971	Griggers	D34/5
D227,413	S *	6/1973	Sherin	D24/127

(Continued)

Primary Examiner — Susan Moon Lee
(74) *Attorney, Agent, or Firm* — Lathrop & Gage LLP

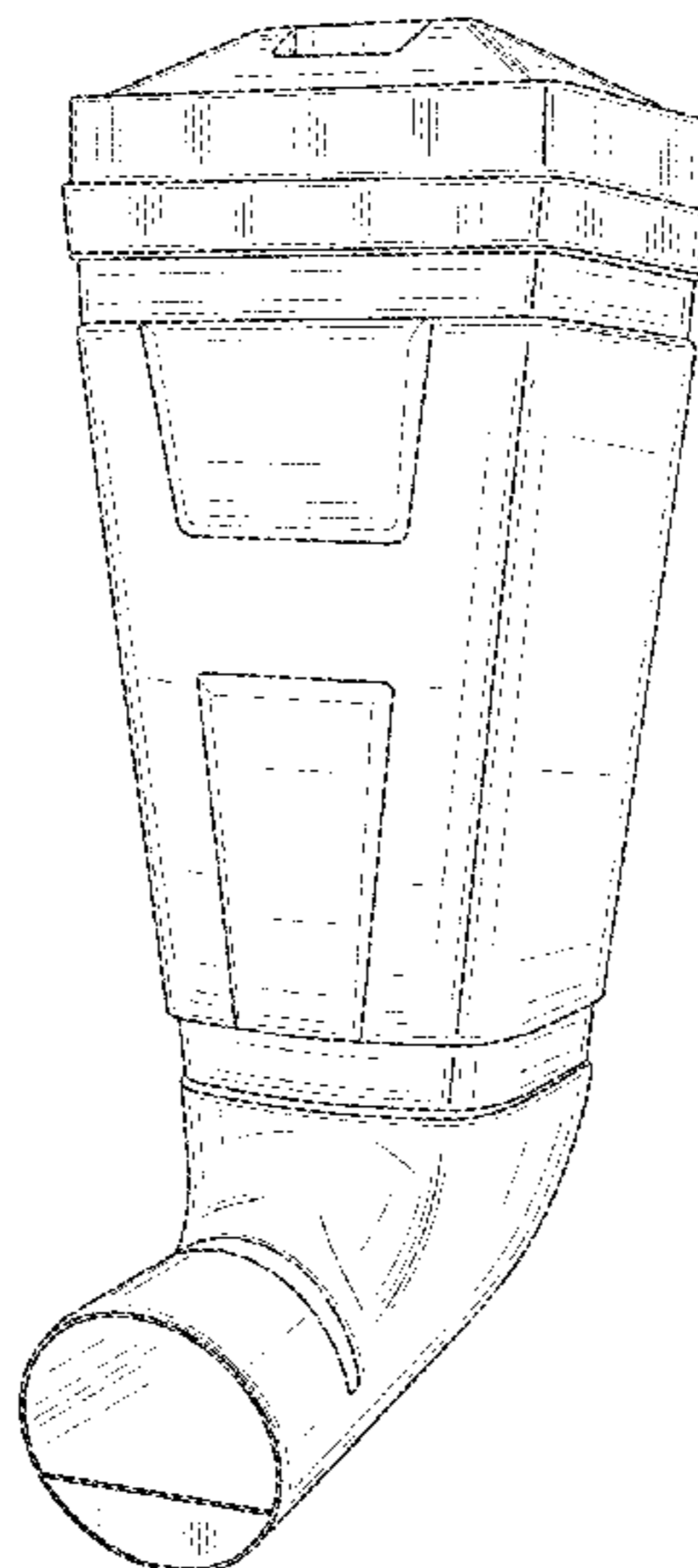
(57) **CLAIM**
The ornamental design for an animal feeder, as shown and described.

DESCRIPTION

FIG. 1 is a side perspective view of an animal feeder in accordance with the present invention.
FIG. 2 is a front view of the animal feeder of FIG. 1.
FIG. 3 is a rear view of the animal feeder of FIG. 1.
FIG. 4 is a side view of the animal feeder of FIG. 1.
FIG. 5 is another side view of the animal feeder of FIG. 1.
FIG. 6 is a top view of the animal feeder of FIG. 1; and,
FIG. 7 is a bottom view of the animal feeder of FIG. 1.

1 Claim, 7 Drawing Sheets

- (56) **References Cited**
U.S. PATENT DOCUMENTS
178,697 A * 6/1876 Winston 141/344
634,927 A * 10/1899 Wellsted 119/53.5
852,603 A * 5/1907 Hanlon 222/368
893,623 A * 7/1908 Groh 119/53



(56)

References Cited

U.S. PATENT DOCUMENTS

- 3,763,826 A * 10/1973 Portelli 119/52.1
D232,848 S * 9/1974 Barton et al. D30/121
D239,546 S * 4/1976 Kitson D30/121
D249,566 S * 9/1978 Wilhelm D30/124
D251,312 S * 3/1979 Matsumoto D21/311
D252,592 S * 8/1979 Lage D30/131
D252,655 S * 8/1979 Dibling D6/544
4,200,060 A * 4/1980 Van Daele 119/56.2
D257,464 S * 10/1980 Persiani D7/589
4,235,200 A * 11/1980 Shay 119/51.11
4,292,930 A * 10/1981 Olsen 119/51.11
D263,763 S * 4/1982 Bore D30/121
4,347,878 A * 9/1982 Schofield 141/300
D268,056 S * 2/1983 Campbell-Kelly et al. .. D30/121
4,466,382 A * 8/1984 Babbitt et al. 119/52.1
D276,020 S * 10/1984 Battista D7/589
4,505,407 A * 3/1985 Johnson 222/181.1
4,562,941 A * 1/1986 Sanfilippo 222/108
D283,869 S * 5/1986 Blahowicz D7/589
D296,405 S * 6/1988 Weaver D7/589
D299,301 S * 1/1989 Wirth D7/700
4,799,455 A * 1/1989 O'Kelley 119/51.01
4,802,609 A * 2/1989 Morse et al. 222/158
D300,378 S * 3/1989 Bore D30/121
4,832,213 A * 5/1989 Sharon et al. 215/11.1
RE33,083 E * 10/1989 Pellegrino 222/288
4,945,859 A * 8/1990 Churchwell 119/57.91
4,957,219 A * 9/1990 Robbins et al. 222/39
4,967,697 A * 11/1990 Lau 119/51.04
D313,848 S * 1/1991 Corso D24/197
D320,481 S * 10/1991 Sterner D30/121
5,139,172 A * 8/1992 Brown 222/181.2
5,143,289 A * 9/1992 Gresham et al. 239/7
D332,657 S * 1/1993 Bamford D24/117
D336,554 S * 6/1993 Reeder D30/121
5,222,634 A * 6/1993 Hayes 222/185.1
5,233,941 A * 8/1993 Ayliffe et al. 119/57.91
D345,283 S * 3/1994 Papanicholas D7/589
5,303,672 A * 4/1994 Morris 119/51.11
5,309,820 A * 5/1994 Baxter et al. 99/280
5,311,838 A * 5/1994 Thomas et al. 119/51.5
D352,867 S * 11/1994 Morris D7/589
5,372,093 A * 12/1994 Pooshs 119/51.11
5,410,986 A * 5/1995 Washam 119/52.2
D371,601 S * 7/1996 Markles D24/122
D372,171 S * 7/1996 Romero et al. D7/589
5,555,842 A * 9/1996 Chocola et al. 119/51.11
D384,863 S * 10/1997 Danemayer D7/589
D388,662 S * 1/1998 Romero et al. D7/589
D390,753 S * 2/1998 Danemayer D7/589
5,794,561 A * 8/1998 Schulz 119/52.1
5,826,754 A * 10/1998 Ishaya et al. 222/185.1
D402,160 S * 12/1998 Rushing D7/589
5,934,222 A * 8/1999 Hwang 119/72
5,992,349 A * 11/1999 Sachs 119/52.1
D421,821 S * 3/2000 Kinjerski D30/121
6,067,933 A * 5/2000 Cason 119/52.1
6,142,100 A * 11/2000 Marchioro 119/54
6,439,419 B1 * 8/2002 Darabi 220/703
D467,465 S * 12/2002 Apelboim et al. D7/589
D467,466 S * 12/2002 Apelboim et al. D7/589
D469,661 S * 2/2003 Rivkin D7/589
D476,451 S * 6/2003 Morgan, Sr. D30/121
6,637,368 B2 * 10/2003 Bondarenko et al. 119/53.5
6,722,311 B1 * 4/2004 Sides et al. 119/52.1
D504,982 S * 5/2005 Kim D30/121
6,910,443 B2 * 6/2005 Rasmussen 119/53.5
D507,936 S * 8/2005 Gold et al. D7/589
6,959,664 B1 * 11/2005 Keuter et al. 119/54
6,964,355 B2 * 11/2005 Landau 222/185.1
D512,538 S * 12/2005 Bird et al. D30/121
D518,245 S * 3/2006 Denslow et al. D30/121
7,114,536 B2 * 10/2006 Guthrie 141/337
D531,457 S * 11/2006 Gold et al. D7/589
7,204,201 B2 * 4/2007 Leombruno 119/56.1
7,222,583 B2 * 5/2007 Foster et al. 119/57.91
7,302,912 B2 * 12/2007 Boyer 119/57.91
7,308,920 B1 * 12/2007 Theis et al. 141/331
D559,470 S * 1/2008 Stevens et al. D30/121
D560,105 S * 1/2008 McKenzie D7/700
D562,079 S * 2/2008 Ben Shlomo et al. D7/589
7,475,796 B2 * 1/2009 Garton 222/185.1
D591,099 S * 4/2009 Bruce D7/301
D613,558 S * 4/2010 Gold et al. D7/589
D616,707 S * 6/2010 Gold et al. D7/589
7,731,063 B2 * 6/2010 Rusch 222/306
D622,452 S * 8/2010 Castro D30/121
D624,706 S * 9/2010 Meritt D30/121
D629,572 S * 12/2010 Meritt D30/133
D629,976 S * 12/2010 Meritt D30/133
7,891,317 B2 * 2/2011 Bodenstab et al. 119/53
7,913,647 B1 * 3/2011 Martin 119/52.1
D647,253 S * 10/2011 Meritt D30/121
8,096,265 B1 * 1/2012 Wisecarver 119/57.1
D662,654 S * 6/2012 Trudnowski D27/167
D662,796 S * 7/2012 Stone D8/14
8,272,350 B1 * 9/2012 England 119/52.1
8,302,563 B2 * 11/2012 Chang 119/53.5
D685,533 S * 7/2013 Sides et al. D30/121
2002/0088404 A1 * 7/2002 Romeu 119/56.1
2002/0124804 A1 * 9/2002 Fransen et al. 119/52.1
2003/0005887 A1 * 1/2003 Graham 119/52.1
2006/0027609 A1 * 2/2006 Landau et al. 222/434
2006/0060148 A1 * 3/2006 Boyer 119/57.91
2006/0137617 A1 * 6/2006 Leombruno 119/52.1
2007/0028844 A1 * 2/2007 Bodenstab et al. 119/52.1
2007/0163505 A1 * 7/2007 Lynch 119/52.1
2008/0202436 A1 * 8/2008 Romeu Guardia 119/52.1
2010/0107983 A1 * 5/2010 Gates 119/53
2011/0239947 A1 * 10/2011 Chang 119/52.1
2012/0073506 A1 * 3/2012 Meritt 119/52.1

* cited by examiner

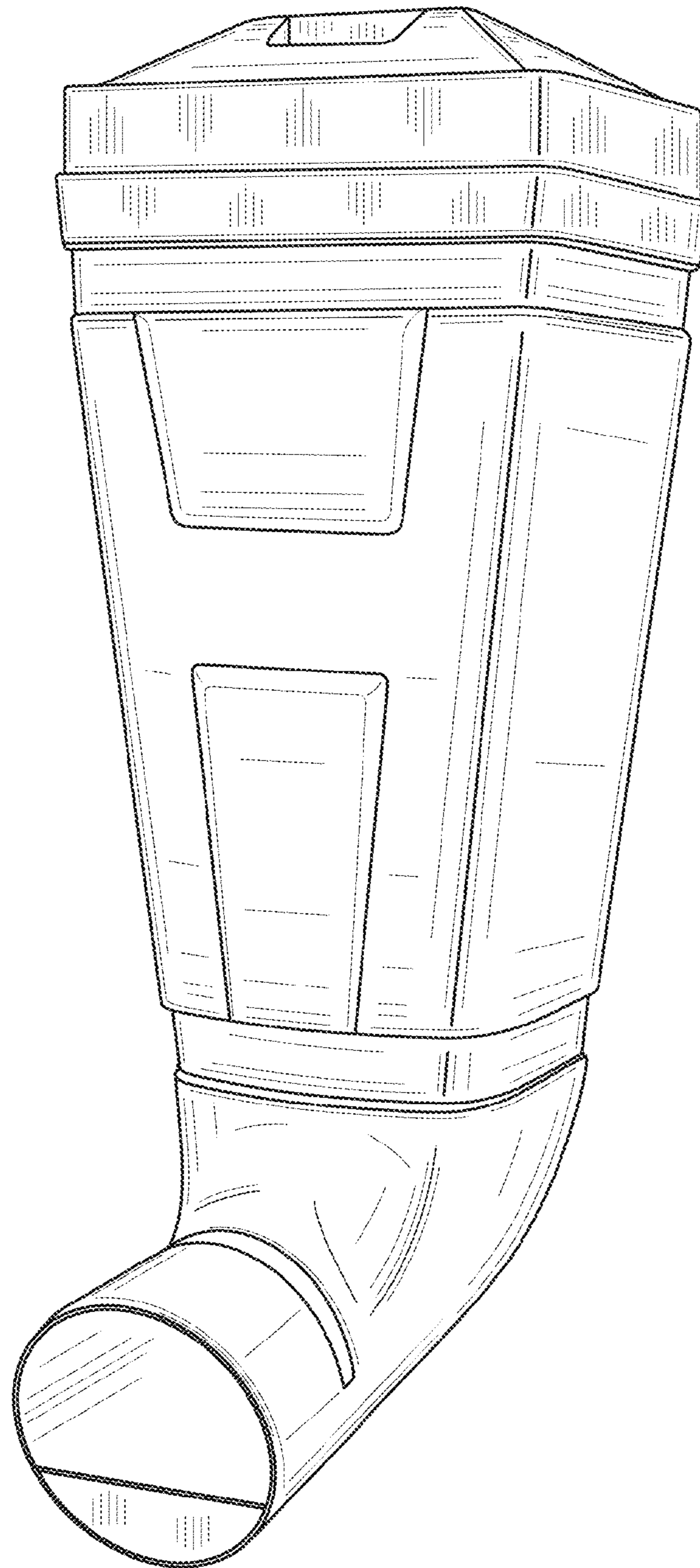


FIG. 1

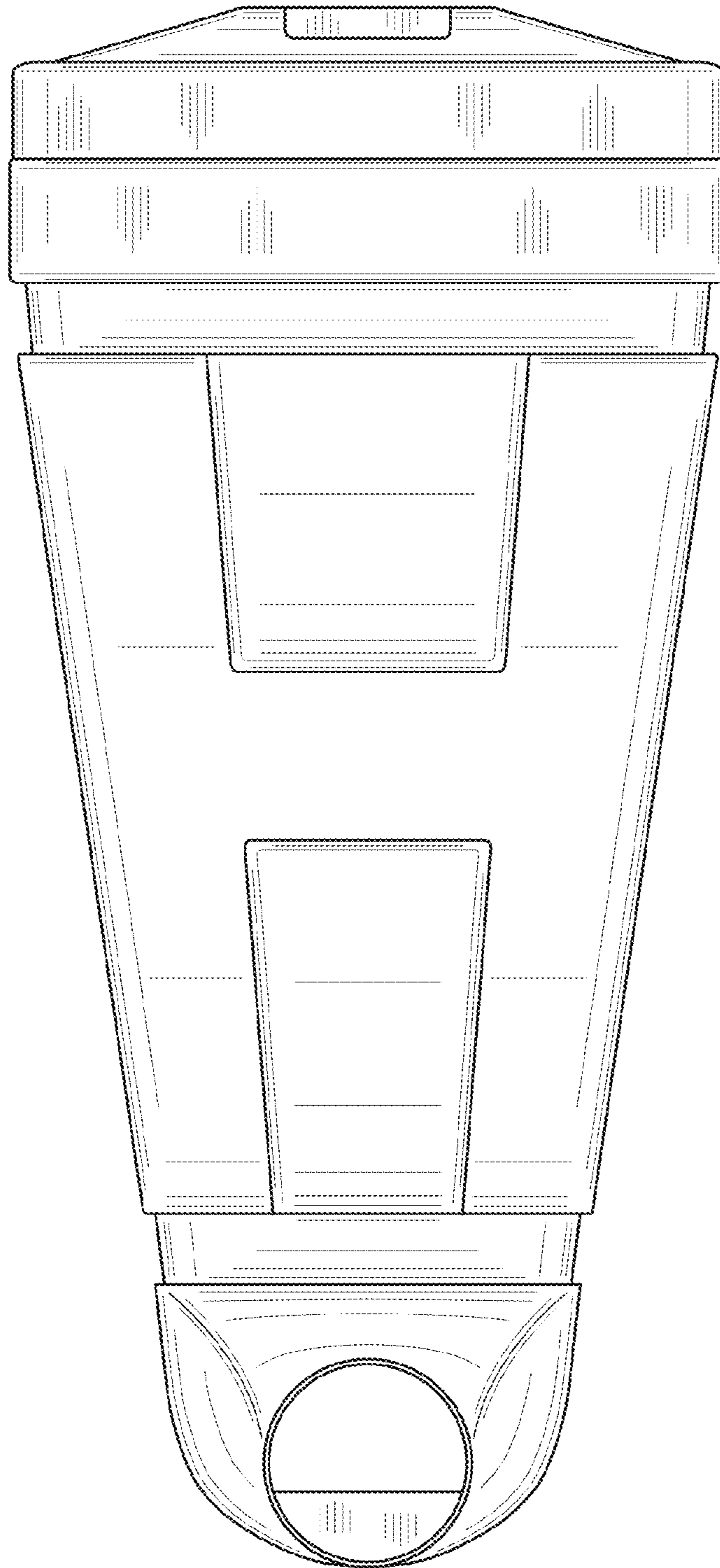


FIG. 2

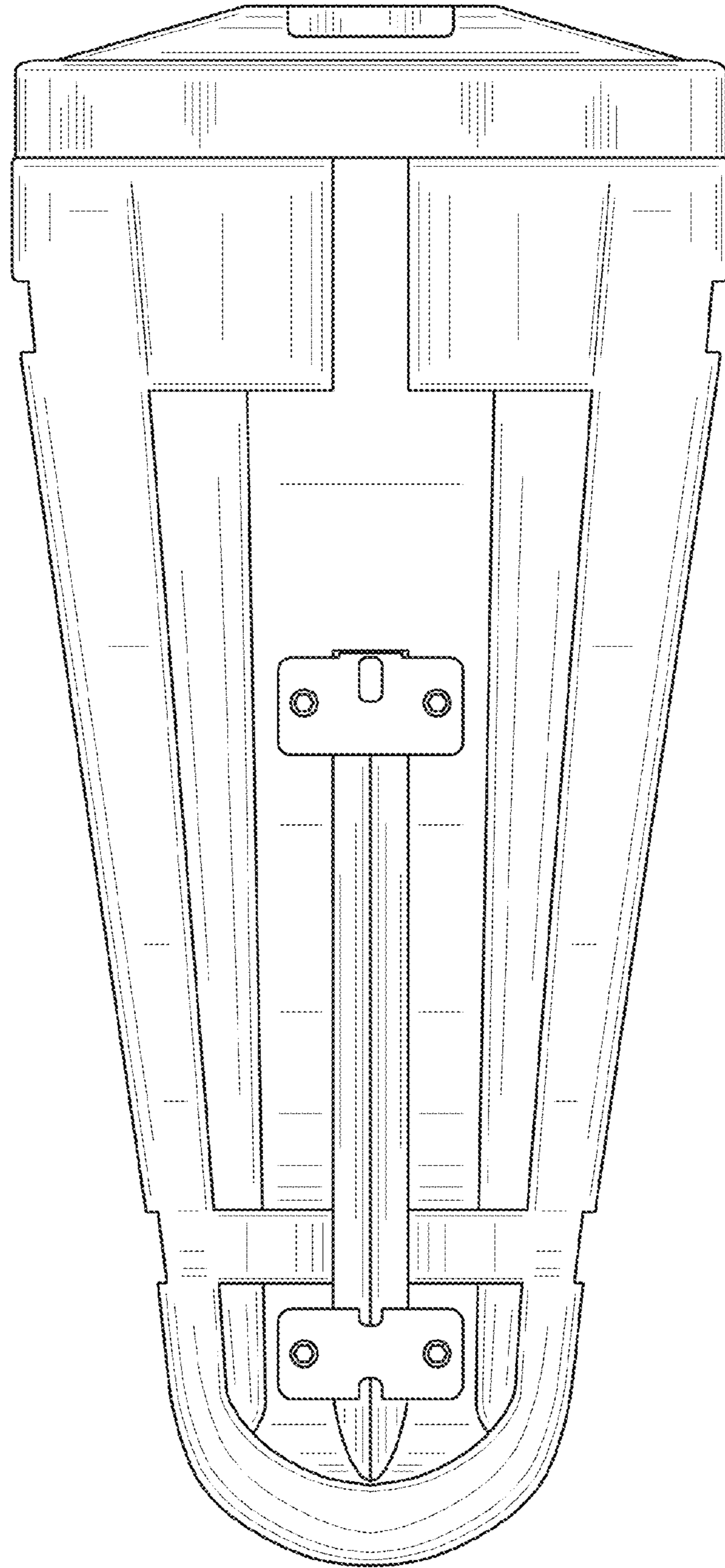


FIG. 3

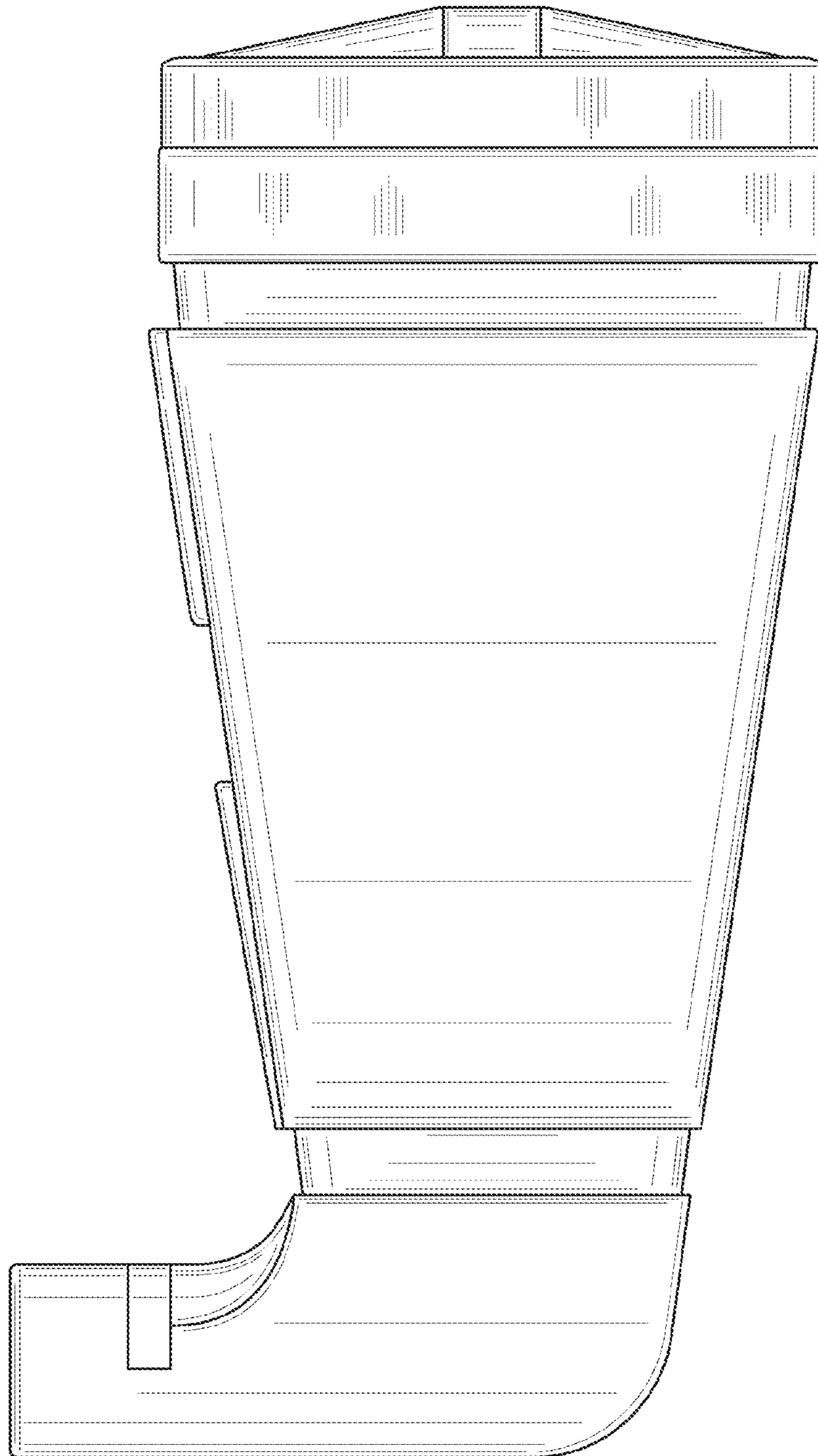


FIG. 4

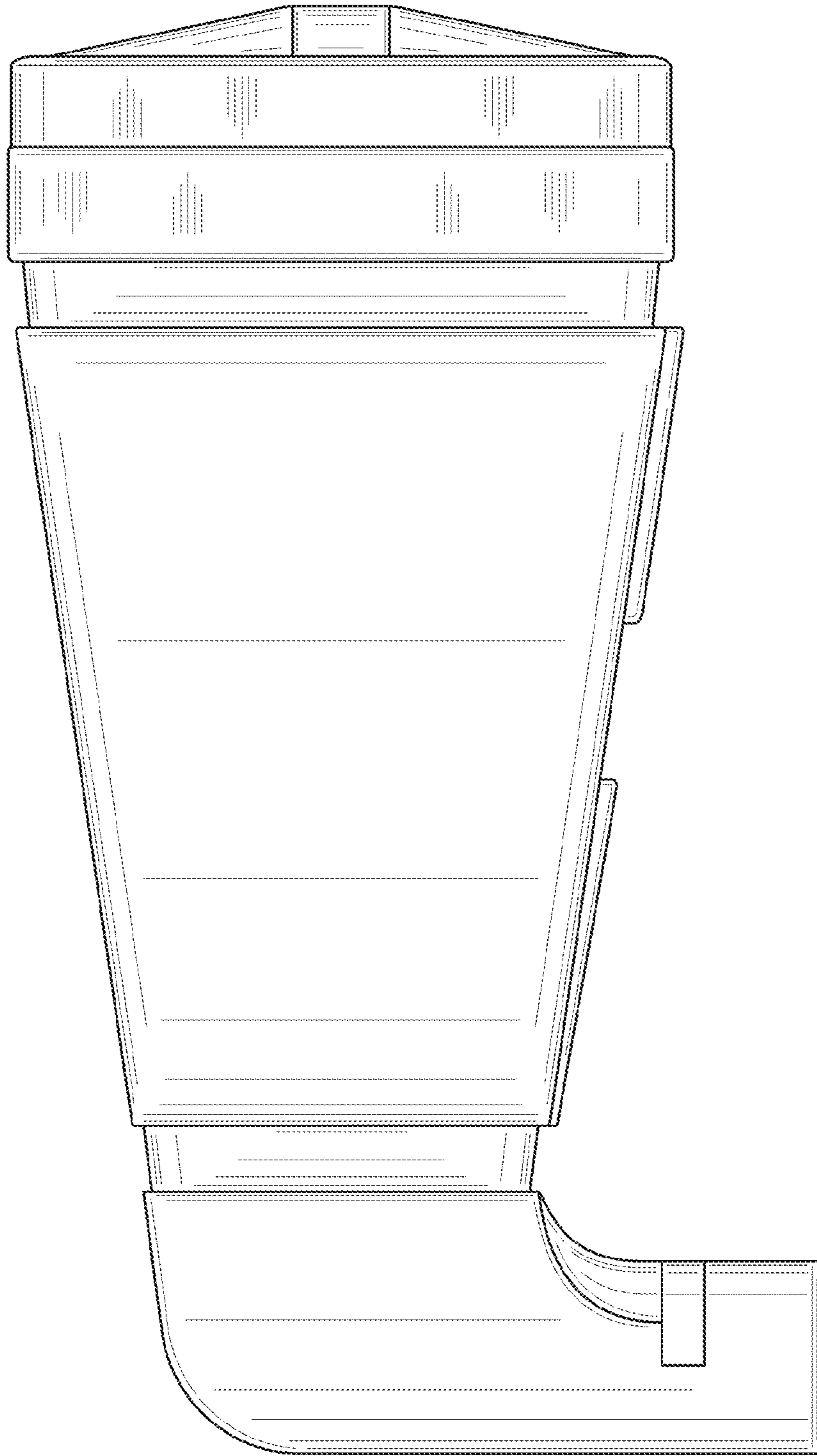


FIG. 5

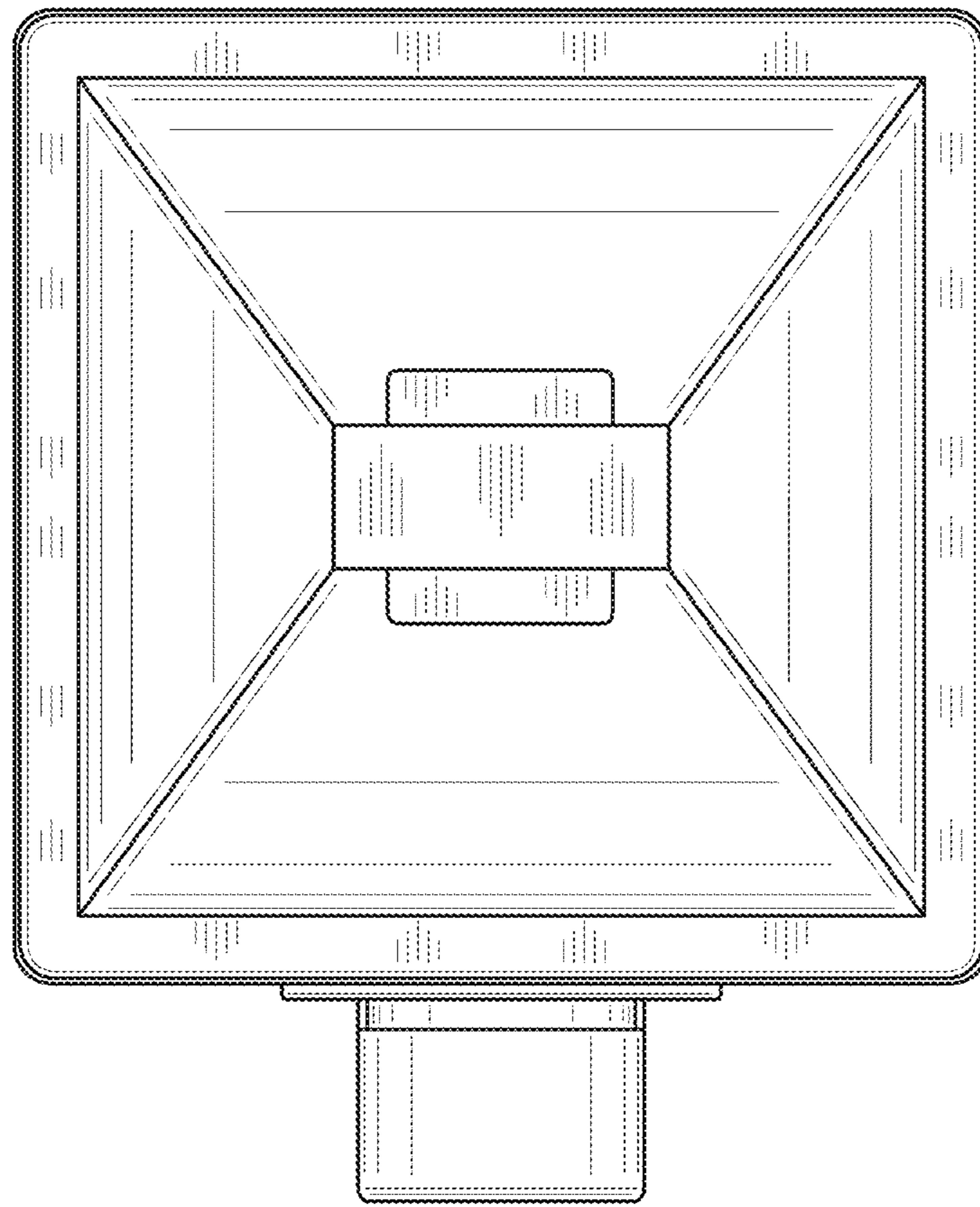


FIG. 6

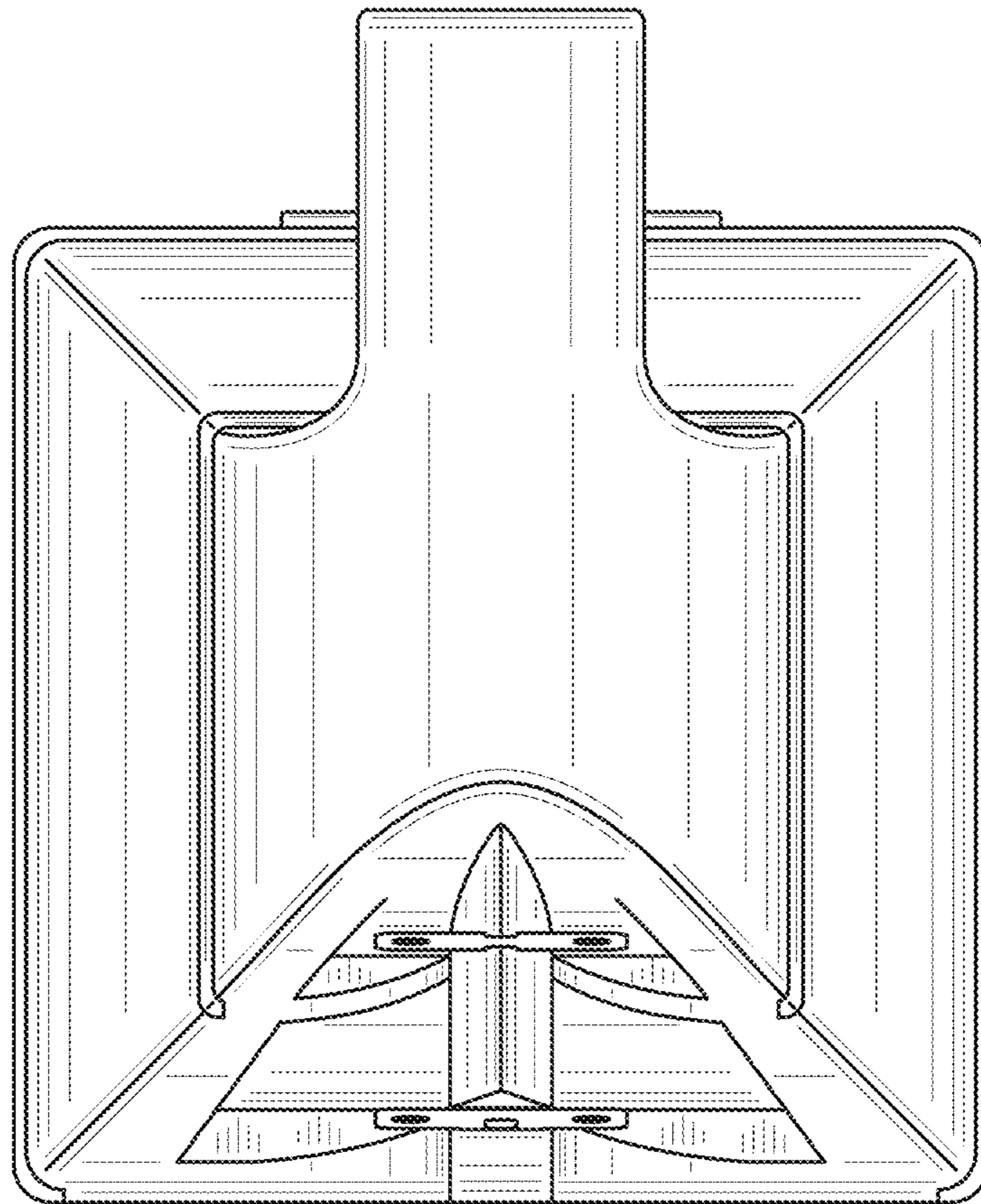


FIG. 7