



US00D704383S

(12) **United States Design Patent**  
**Edlin**

(10) **Patent No.:** **US D704,383 S**

(45) **Date of Patent:** **\*\* May 6, 2014**

(54) **PET TRAVEL CUP WITH INTERNAL SPIRAL MEMBER AND RIMMED EDGE**

(71) Applicant: **Anna M. Edlin**, Hunnewell, MO (US)

(72) Inventor: **Anna M. Edlin**, Hunnewell, MO (US)

(\*\*) Term: **14 Years**

(21) Appl. No.: **29/445,101**

(22) Filed: **Feb. 7, 2013**

(51) **LOC (10) Cl.** ..... **30-03**

(52) **U.S. Cl.**

USPC ..... **D30/121; D30/129; D30/130; D30/132**

(58) **Field of Classification Search**

USPC ..... D30/121, 122, 129, 130, 132, 133, 199;  
119/61.54-61.57, 72-78, 61, 51.01;  
248/311.2, 154, 310, 314; 224/275,  
224/926; D3/276, 269; 220/737, 738, 374,  
220/571, 621, 625, 719, 731; 99/452;  
D12/419; 392/447

See application file for complete search history.

(56) **References Cited**

**U.S. PATENT DOCUMENTS**

150,423	A *	5/1874	Link et al.	119/61.3
1,371,718	A *	3/1921	Zimmermann	126/386.1
1,696,240	A *	12/1928	Kircher, Jr.	220/797
2,084,084	A *	6/1937	Greer	220/798
2,638,716	A *	5/1953	Luipersbek	47/79
2,993,300	A *	7/1961	Sawyer	47/61
3,065,885	A *	11/1962	Chatten	222/400.7
3,076,435	A *	2/1963	Seymour	119/77
3,152,576	A *	10/1964	Faurot	119/72
3,180,516	A *	4/1965	Goldschmidt	220/502
3,184,126	A *	5/1965	Casull	222/487
3,202,131	A *	8/1965	Jones	119/61.54
3,313,447	A *	4/1967	Spencer	220/719
3,360,160	A *	12/1967	Spencer	220/719
3,379,338	A *	4/1968	Marks et al.	220/719
3,543,287	A *	11/1970	Henkel	220/698

3,549,044	A *	12/1970	Lerner	220/719
3,576,088	A *	4/1971	Arca	47/81
3,688,943	A *	9/1972	Brown	220/697
3,744,671	A *	7/1973	Saunders, Jr.	220/698
3,759,228	A *	9/1973	Keen	119/79
D229,074	S *	11/1973	Cuprak	D30/130
D229,530	S *	12/1973	Simpson, Jr.	D7/300
3,831,558	A *	8/1974	Forbes	119/73
3,837,527	A *	9/1974	Kutik et al.	220/675
3,937,134	A *	2/1976	Molenaar et al.	99/295
3,940,012	A *	2/1976	Addington	220/719
D240,286	S *	6/1976	Sarpaneva	D7/509
D240,388	S *	7/1976	Werling	D7/514
3,973,602	A *	8/1976	Kruse	141/95
4,054,205	A *	10/1977	Blow et al.	206/217
4,069,996	A *	1/1978	Koziol	248/146
D250,422	S *	11/1978	Mallinson	D30/132
4,130,215	A *	12/1978	Corey et al.	220/719
4,157,707	A *	6/1979	Schwind et al.	126/386.1

(Continued)

*Primary Examiner* — Susan Moon Lee

(74) *Attorney, Agent, or Firm* — James Ray & Assoc

(57) **CLAIM**

I claim the ornamental design for a pet travel cup with internal spiral member and rimmed edge, as shown and described.

**DESCRIPTION**

FIG. 1 is a perspective view of a pet travel cup with internal spiral member and rimmed edge showing my new design;

FIG. 2 is a sectional perspective view of the pet travel cup with internal spiral member and rimmed edge, taken along line 'II' of FIG. 1;

FIG. 3 is a side elevation view of the pet travel cup with internal spiral member and rimmed edge;

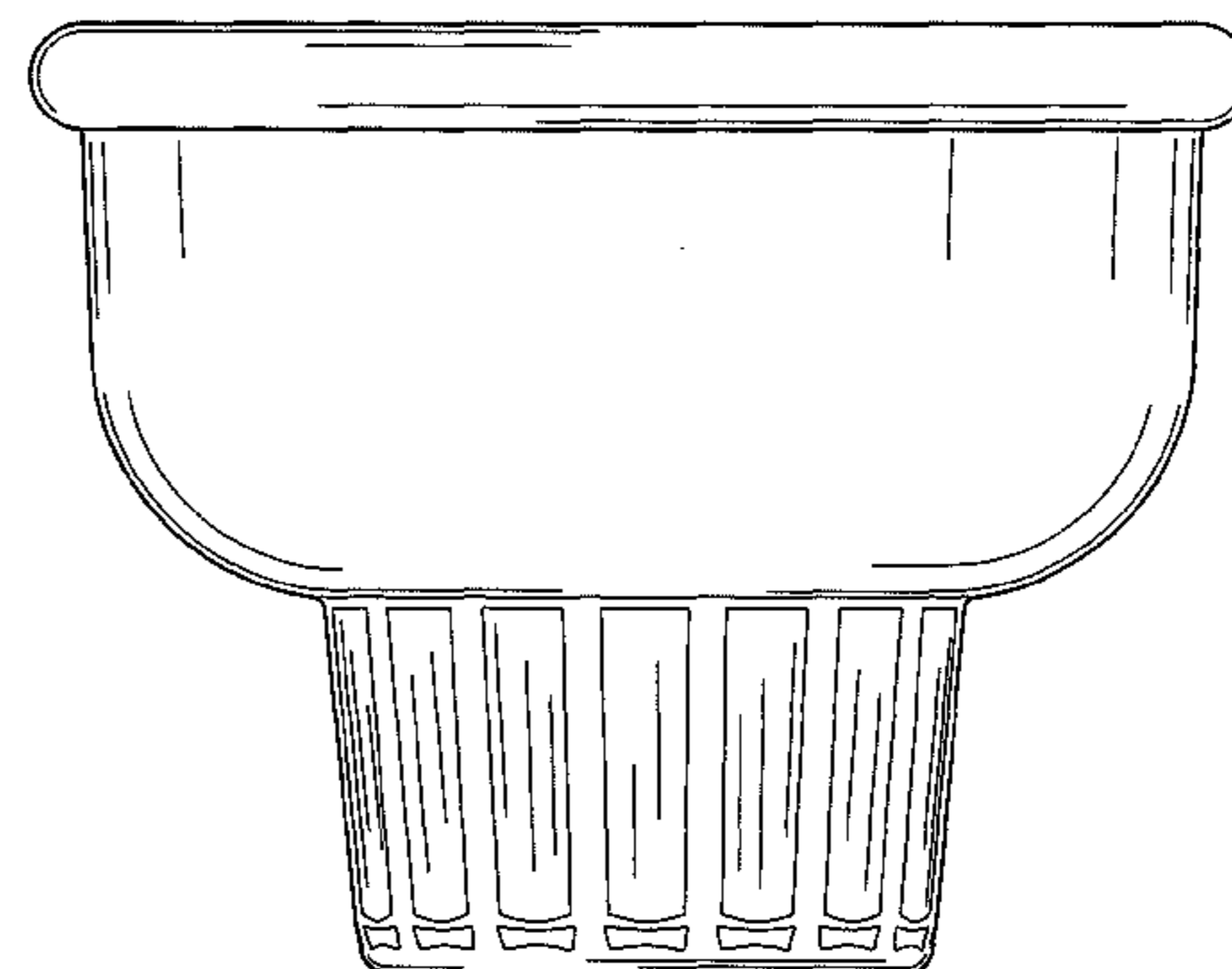
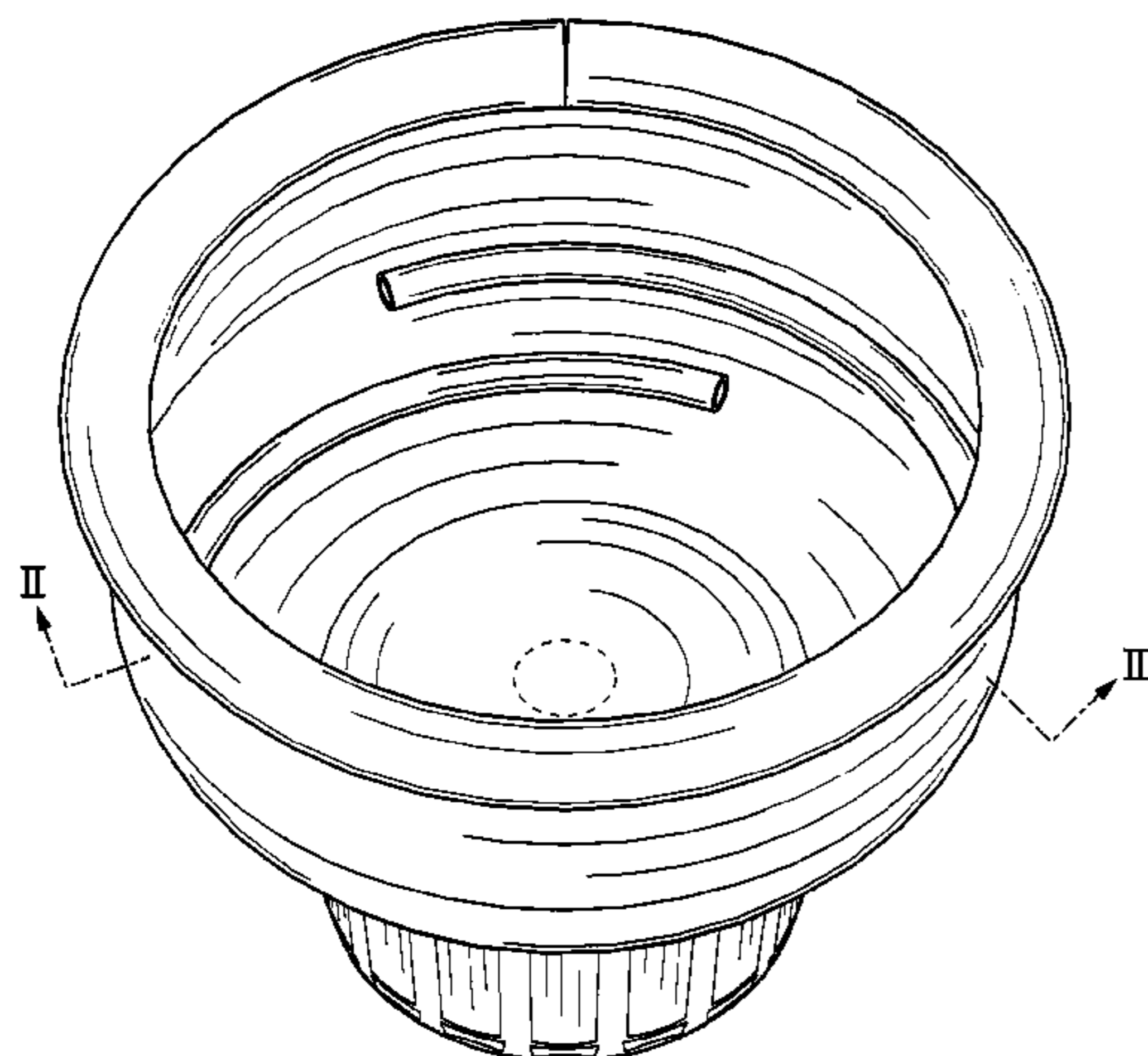
FIG. 4 is a rear elevation view thereof;

FIG. 5 is a top view thereof; and,

FIG. 6 is a bottom view thereof.

Broken line and portions contained with broken line are not claimed.

**1 Claim, 6 Drawing Sheets**





(56)

## References Cited

## U.S. PATENT DOCUMENTS

- 4,183,175 A \* 1/1980 Magee ..... 47/79  
D255,313 S \* 6/1980 Elkerbout ..... D7/400  
D258,485 S \* 3/1981 Eller ..... D7/392.1  
4,286,546 A \* 9/1981 Moore ..... 119/61.54  
4,301,010 A \* 11/1981 Eddleman et al. .... 210/406  
4,306,971 A \* 12/1981 Hankammer ..... 210/282  
4,363,336 A \* 12/1982 Cerrato ..... 137/212  
D272,308 S \* 1/1984 Schlessel ..... D7/400  
4,436,056 A \* 3/1984 MacLeod ..... 119/72  
D274,695 S \* 7/1984 Kennedy ..... D9/503  
4,509,412 A \* 4/1985 Whittenburg et al. .... 99/331  
D279,175 S \* 6/1985 Eklof ..... D11/164  
D280,692 S \* 9/1985 Sullivan ..... D7/398  
4,550,848 A \* 11/1985 Sucato ..... 220/501  
4,557,070 A \* 12/1985 Oyama ..... 47/80  
D285,498 S \* 9/1986 Thibault ..... D30/132  
D287,772 S \* 1/1987 Stewart ..... D30/129  
4,689,147 A \* 8/1987 Leoncavallo et al. .... 210/232  
4,726,487 A \* 2/1988 Mitri ..... 220/718  
4,768,674 A \* 9/1988 Prescott ..... 220/719  
4,846,236 A \* 7/1989 Deruntz ..... 141/329  
4,849,061 A \* 7/1989 Relyea ..... 156/308.4  
4,854,468 A \* 8/1989 Dahlquist et al. .... 220/737  
4,869,390 A \* 9/1989 Kennedy ..... 220/709  
D304,275 S \* 10/1989 Kiefer ..... D7/584  
5,033,453 A \* 7/1991 Loyd et al. .... 126/377.1  
D322,868 S \* 12/1991 Johnson ..... D30/132  
5,105,769 A \* 4/1992 Smith et al. .... 119/61.5  
5,133,293 A \* 7/1992 Boozer ..... 119/61.57  
5,135,195 A \* 8/1992 Dane ..... 248/311.2  
5,181,632 A \* 1/1993 Latter ..... 222/153.06  
D332,891 S \* 2/1993 Cumberland ..... D7/619.1  
5,203,477 A \* 4/1993 Lo ..... 222/153.01  
5,279,504 A \* 1/1994 Williams ..... 417/393  
5,297,504 A \* 3/1994 Carrico ..... 119/61.54  
5,341,596 A \* 8/1994 Kao ..... 47/79  
5,366,103 A \* 11/1994 Abernathy et al. .... 220/23.83  
5,370,258 A \* 12/1994 Fair ..... 220/719  
D354,795 S \* 1/1995 Heligman ..... D23/209  
5,377,621 A \* 1/1995 Camm ..... 119/61.54  
5,395,509 A \* 3/1995 Guerra Cisneros et al. .... 210/91  
D360,116 S \* 7/1995 Fillipp ..... D8/1  
D363,760 S \* 10/1995 Morem et al. .... D23/209  
5,454,409 A \* 10/1995 McAffer et al. .... 141/329  
5,461,825 A \* 10/1995 Daimon et al. .... 47/71  
5,464,127 A \* 11/1995 Burrows ..... 222/185.1  
5,465,891 A \* 11/1995 Bridges ..... 224/566  
D366,391 S \* 1/1996 Haley et al. .... D7/397  
D370,051 S \* 5/1996 Samson et al. .... D23/209  
D370,392 S \* 6/1996 Flanagan ..... D7/619.1  
5,526,961 A \* 6/1996 Burrows ..... 222/185.1  
5,597,021 A \* 1/1997 Crossdale et al. .... 141/346  
D378,650 S \* 4/1997 Wong ..... D7/397  
5,637,214 A \* 6/1997 Kahana ..... 210/282  
5,645,192 A \* 7/1997 Amidzich ..... 222/1  
5,653,253 A \* 8/1997 Larsen ..... 137/315.01  
5,660,867 A \* 8/1997 Reynolds et al. .... 426/112  
5,669,538 A \* 9/1997 Ward ..... 224/539  
5,676,340 A \* 10/1997 Ruhnu ..... 248/311.2  
5,682,917 A \* 11/1997 Curving, III ..... 137/15.17  
5,695,639 A \* 12/1997 Johnson ..... 210/474  
5,704,512 A \* 1/1998 Falk et al. .... 220/501  
5,769,266 A \* 6/1998 Willbrandt ..... 220/669  
5,791,287 A \* 8/1998 Gruber ..... 119/74  
5,792,425 A \* 8/1998 Clark et al. .... 422/535  
5,797,217 A \* 8/1998 Magee ..... 47/79  
D397,915 S \* 9/1998 McNaughton ..... D7/619.1  
5,855,184 A \* 1/1999 Eichler et al. .... 119/51.5  
5,873,486 A \* 2/1999 Morgan ..... 220/739  
5,881,670 A \* 3/1999 Pelsor ..... 119/61.54  
5,897,041 A \* 4/1999 Ney et al. .... 224/483  
5,918,415 A \* 7/1999 Locke et al. .... 47/79  
5,921,025 A \* 7/1999 Smith ..... 47/79  
5,927,537 A \* 7/1999 Falk et al. .... 220/501  
5,934,222 A \* 8/1999 Hwang ..... 119/72  
5,960,740 A \* 10/1999 Pelsor ..... 119/61.54  
5,979,689 A \* 11/1999 Lansky ..... 220/255  
6,032,824 A \* 3/2000 Barrow ..... 220/621  
D424,167 S \* 5/2000 Yuen et al. .... D23/233  
6,070,359 A \* 6/2000 Liu ..... 47/79  
D429,111 S \* 8/2000 Busick et al. .... D7/398  
6,142,101 A \* 11/2000 Pelsor ..... 119/61.54  
D435,906 S \* 1/2001 Wilkinson et al. .... D24/121  
6,167,921 B1 \* 1/2001 Busick et al. .... 141/18  
6,168,043 B1 \* 1/2001 Yen et al. .... 220/719  
D439,116 S \* 3/2001 White ..... D7/619.1  
6,199,711 B1 \* 3/2001 Lansky ..... 220/255  
6,202,877 B1 \* 3/2001 La Torre et al. .... 220/254.1  
6,219,969 B1 \* 4/2001 Dion ..... 47/79  
6,253,918 B1 \* 7/2001 Greiner ..... 206/457  
D448,974 S \* 10/2001 Hydak et al. .... D7/397  
6,311,862 B1 \* 11/2001 Barnes ..... 220/698  
6,325,211 B1 \* 12/2001 Greiner ..... 206/457  
6,325,930 B2 \* 12/2001 Farley ..... 210/282  
6,345,470 B1 \* 2/2002 Slaght et al. .... 47/79  
6,358,730 B1 \* 3/2002 Kane ..... 435/297.5  
6,443,314 B2 \* 9/2002 Shiraiwa et al. .... 210/474  
6,488,173 B2 \* 12/2002 Milan ..... 220/713  
6,502,715 B2 \* 1/2003 Miorelli ..... 220/719  
6,520,114 B1 \* 2/2003 Chun ..... 119/61.54  
6,543,637 B1 \* 4/2003 Osborn ..... 220/737  
6,619,511 B2 \* 9/2003 Hydak et al. .... 222/185.1  
D480,516 S \* 10/2003 Wenstrand ..... D30/132  
6,638,426 B1 \* 10/2003 Fritter et al. .... 210/266  
6,679,196 B1 \* 1/2004 Whittles et al. .... 119/51.01  
D492,071 S \* 6/2004 Wenstrand ..... D30/132  
6,770,203 B2 \* 8/2004 Leoncavallo et al. .... 210/650  
6,904,929 B2 \* 6/2005 Ruschke ..... 137/202  
7,090,183 B2 \* 8/2006 Heybl et al. .... 248/314  
D538,981 S \* 3/2007 Skowronski ..... D30/132  
D547,116 S \* 7/2007 Ranzoni ..... D7/398  
7,306,723 B2 \* 12/2007 Radford ..... 210/232  
D560,873 S \* 1/2008 Brans ..... D34/39  
D562,068 S \* 2/2008 Albin et al. .... D7/398  
D588,869 S \* 3/2009 Rasmussen ..... D7/398  
7,527,017 B1 \* 5/2009 Cribb ..... 119/51.5  
D597,679 S \* 8/2009 Shigesada et al. .... D24/216  
D598,122 S \* 8/2009 Shigesada et al. .... D24/216  
D598,706 S \* 8/2009 Neace et al. .... D7/400  
D605,894 S \* 12/2009 Drennow ..... D7/397  
7,634,973 B1 \* 12/2009 Cribb et al. .... 119/51.5  
7,661,538 B1 \* 2/2010 Zuk, Jr. .... 210/416.1  
D622,011 S \* 8/2010 Yowell ..... D30/129  
D622,108 S \* 8/2010 McKnight ..... D7/619.1  
7,798,333 B2 \* 9/2010 Zuk, Jr. .... 210/406  
7,909,197 B2 \* 3/2011 Mikkelsen ..... 220/295  
8,033,427 B2 \* 10/2011 Drennow ..... 222/83  
8,158,009 B2 \* 4/2012 Kane et al. .... 210/739  
D658,922 S \* 5/2012 Fallon et al. .... D7/300  
D670,525 S \* 11/2012 Fallon et al. .... D7/300  
8,464,660 B2 \* 6/2013 Valeriano ..... 119/72  
D687,254 S \* 8/2013 Soule ..... D7/300  
8,534,510 B2 \* 9/2013 Parra et al. .... 222/525  
D693,189 S \* 11/2013 Facey ..... D7/674  
2002/0166865 A1 \* 11/2002 Miorelli ..... 220/719  
2003/0010708 A1 \* 1/2003 Leoncavallo et al. .... 210/477  
2003/0116094 A1 \* 6/2003 Dlin ..... 119/61  
2003/0189052 A1 \* 10/2003 Greiner ..... 220/506  
2003/0197104 A1 \* 10/2003 Heybl et al. .... 248/311.2  
2004/0068931 A1 \* 4/2004 Lai ..... 47/80  
2004/0222345 A1 \* 11/2004 Lindsay ..... 248/311.2  
2006/0060149 A1 \* 3/2006 Skowronski ..... 119/61.55  
2007/0272163 A1 \* 11/2007 Leary ..... 119/61.54  
2008/0022937 A1 \* 1/2008 Shirley et al. .... 119/72  
2010/0064976 A1 \* 3/2010 Keller et al. .... 119/72  
2011/0056438 A1 \* 3/2011 Edlin ..... 119/72  
2012/0222625 A1 \* 9/2012 Adams ..... 119/72  
2013/0284102 A1 \* 10/2013 McCune ..... 119/72

\* cited by examiner

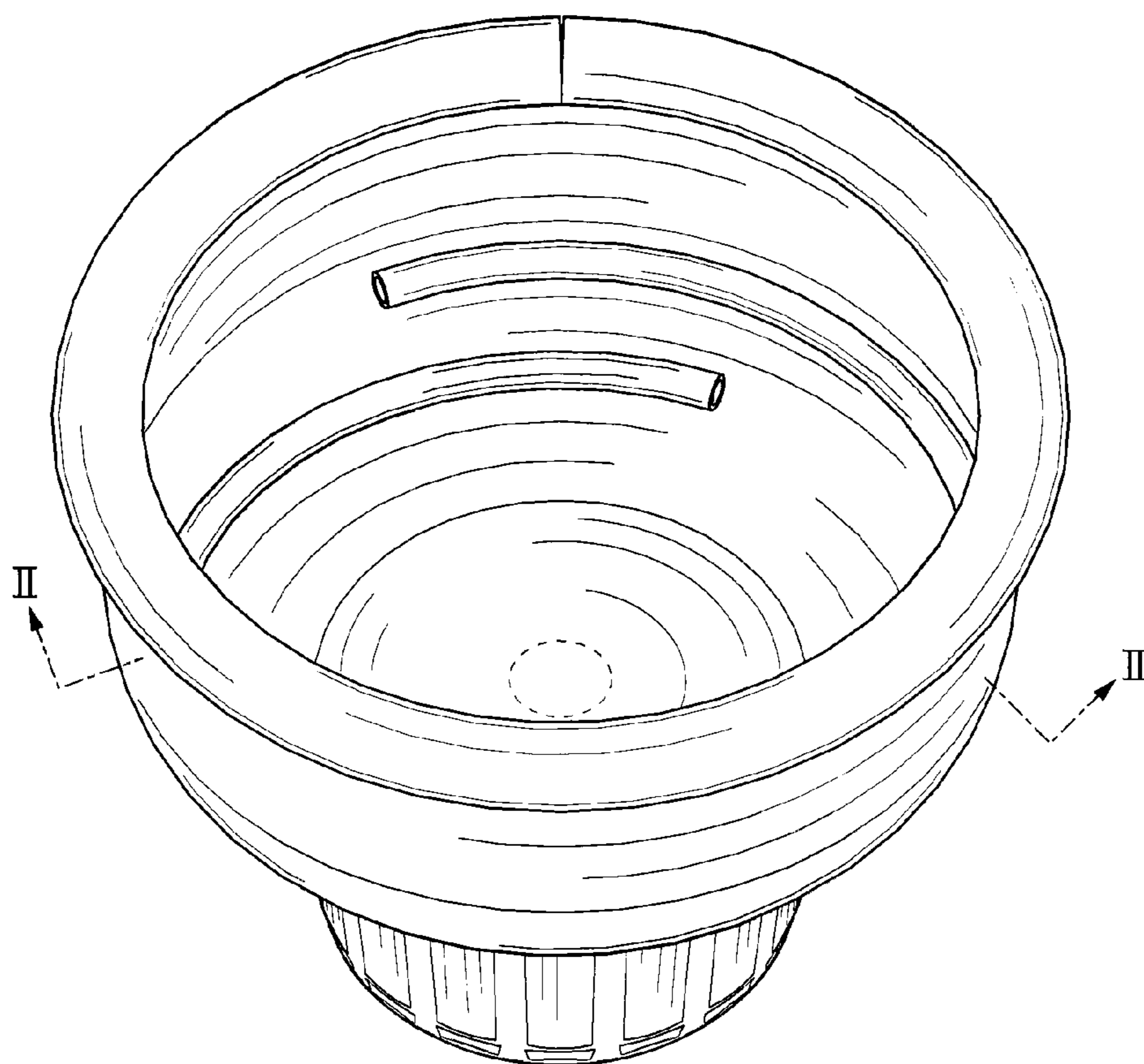


FIG. 1



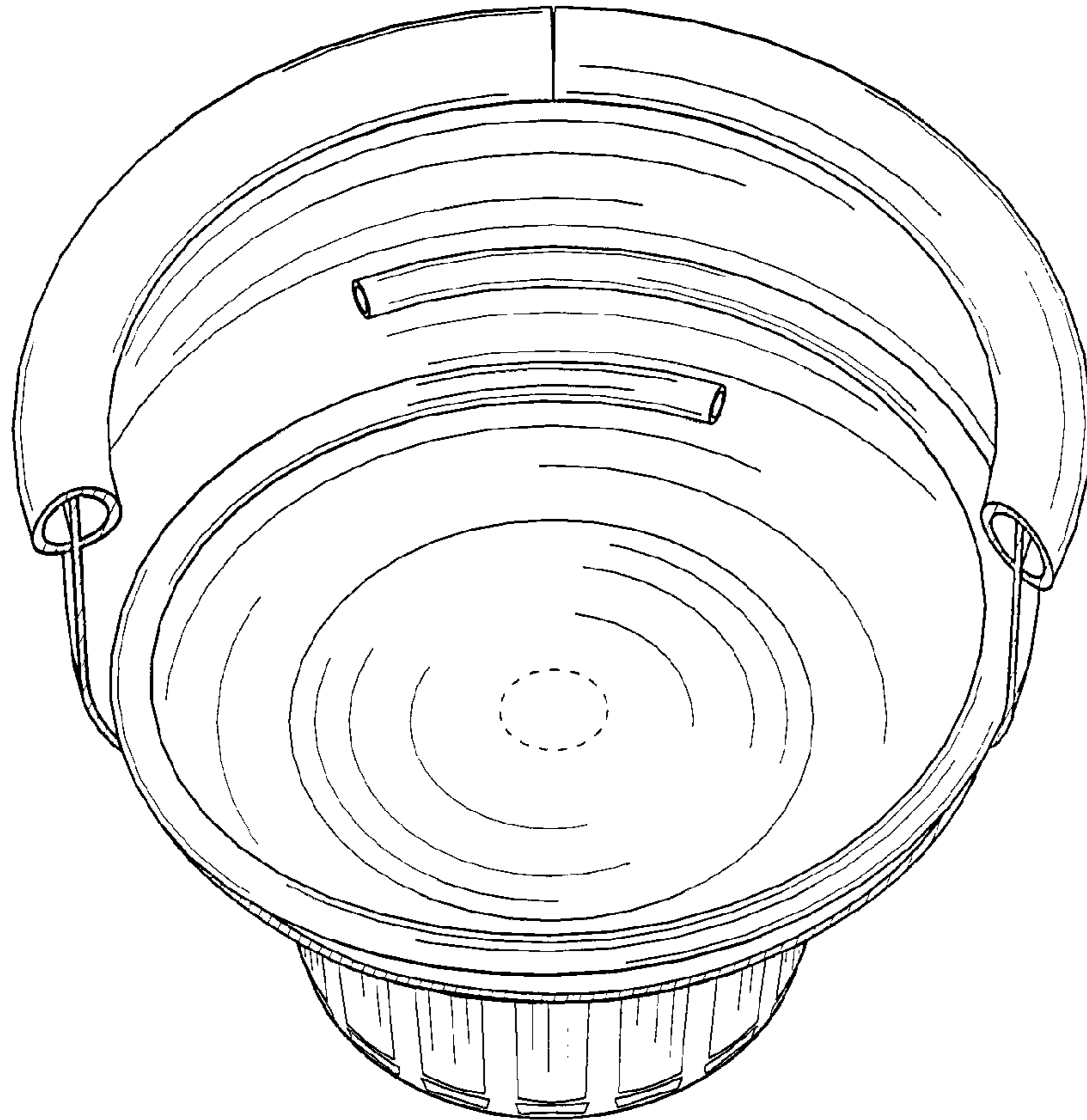


FIG. 2

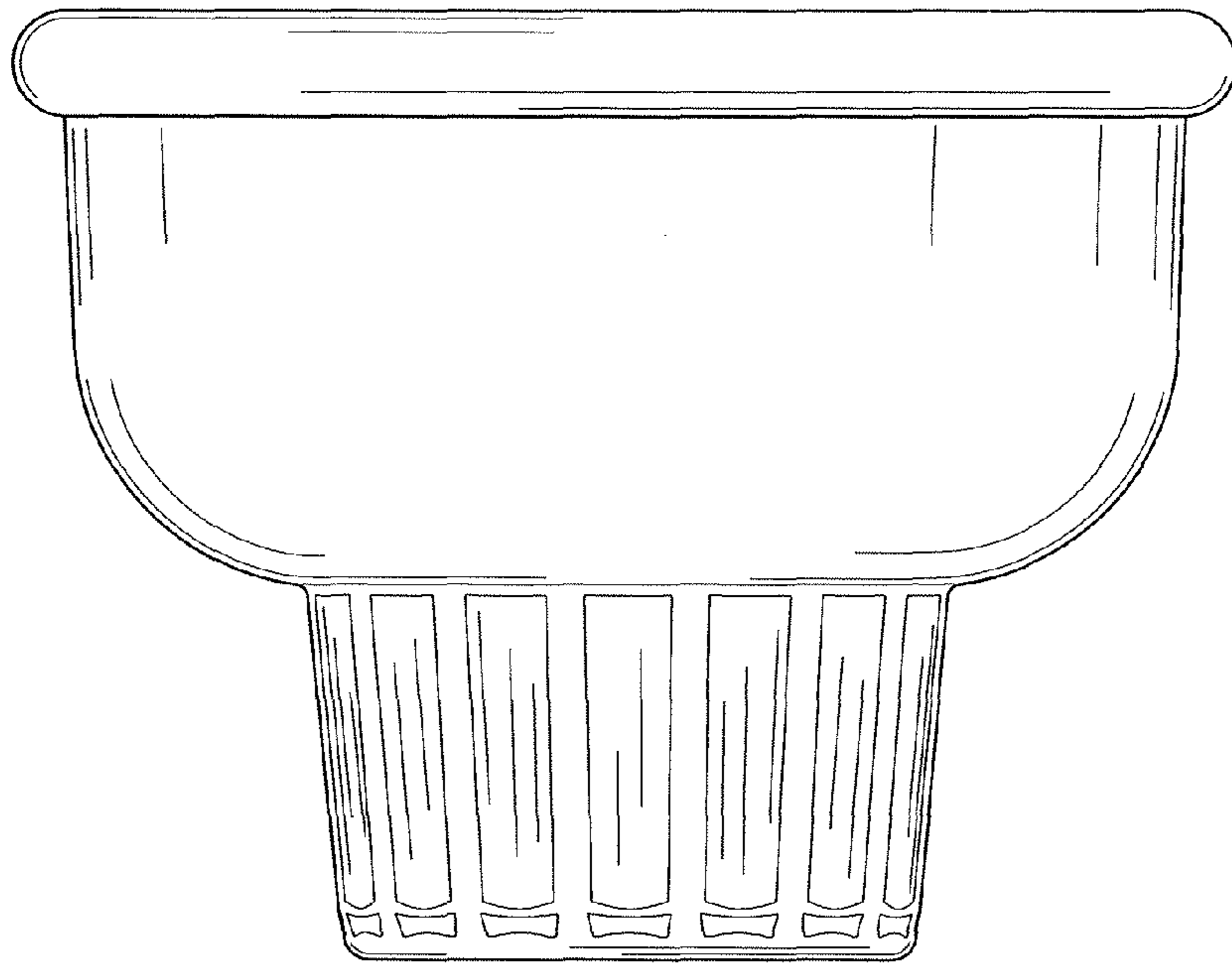


FIG. 3

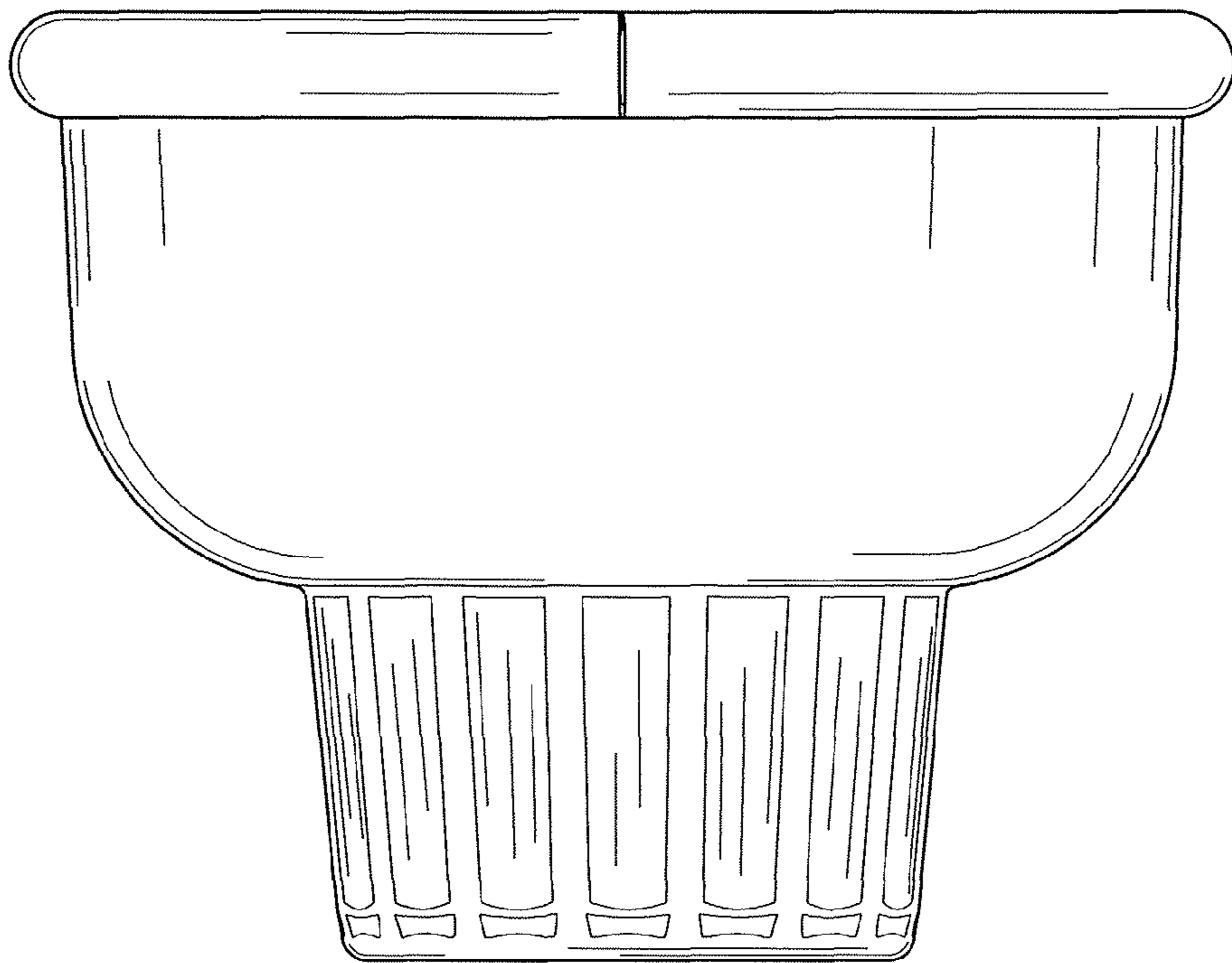


FIG. 4

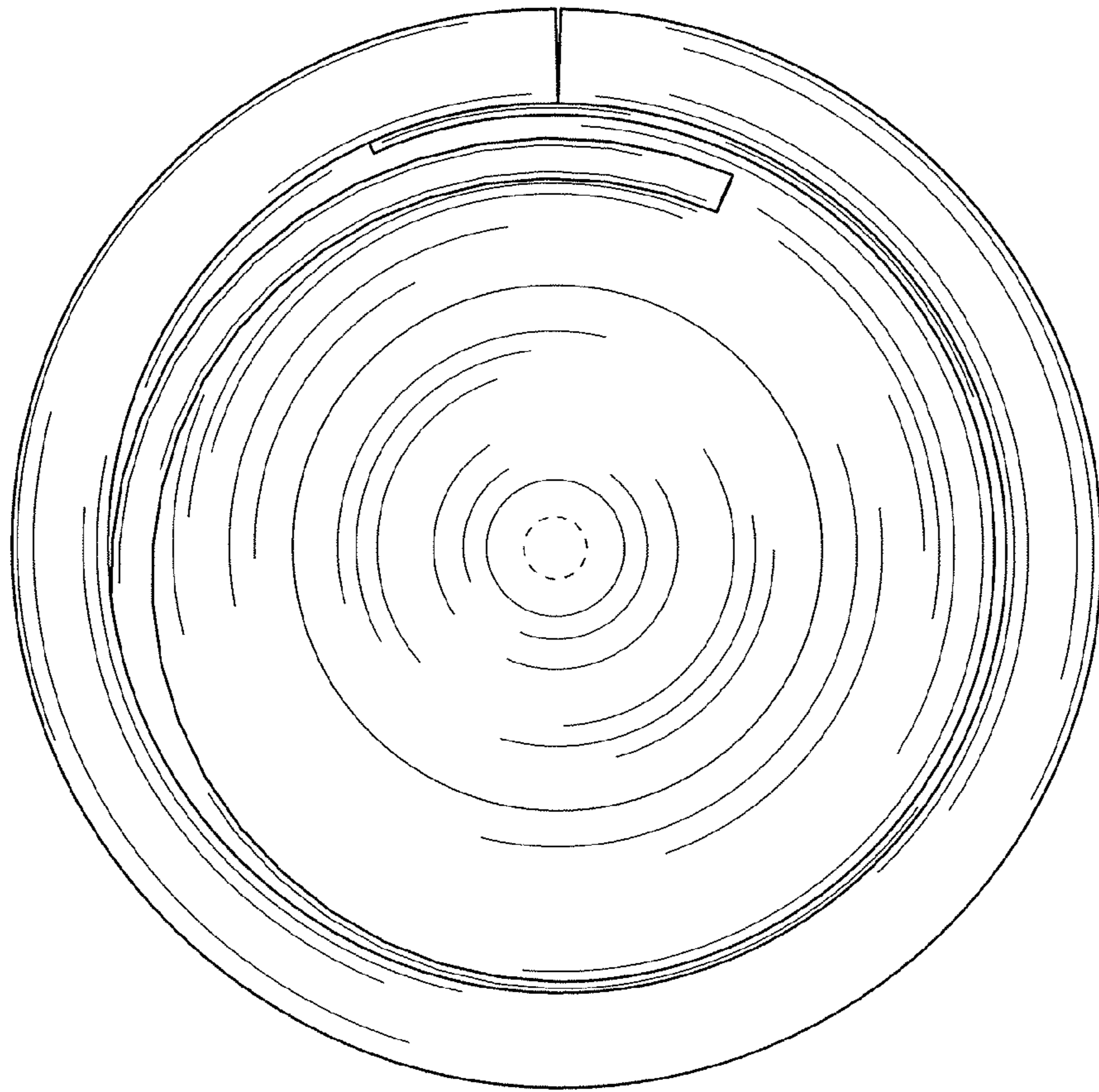


FIG. 5

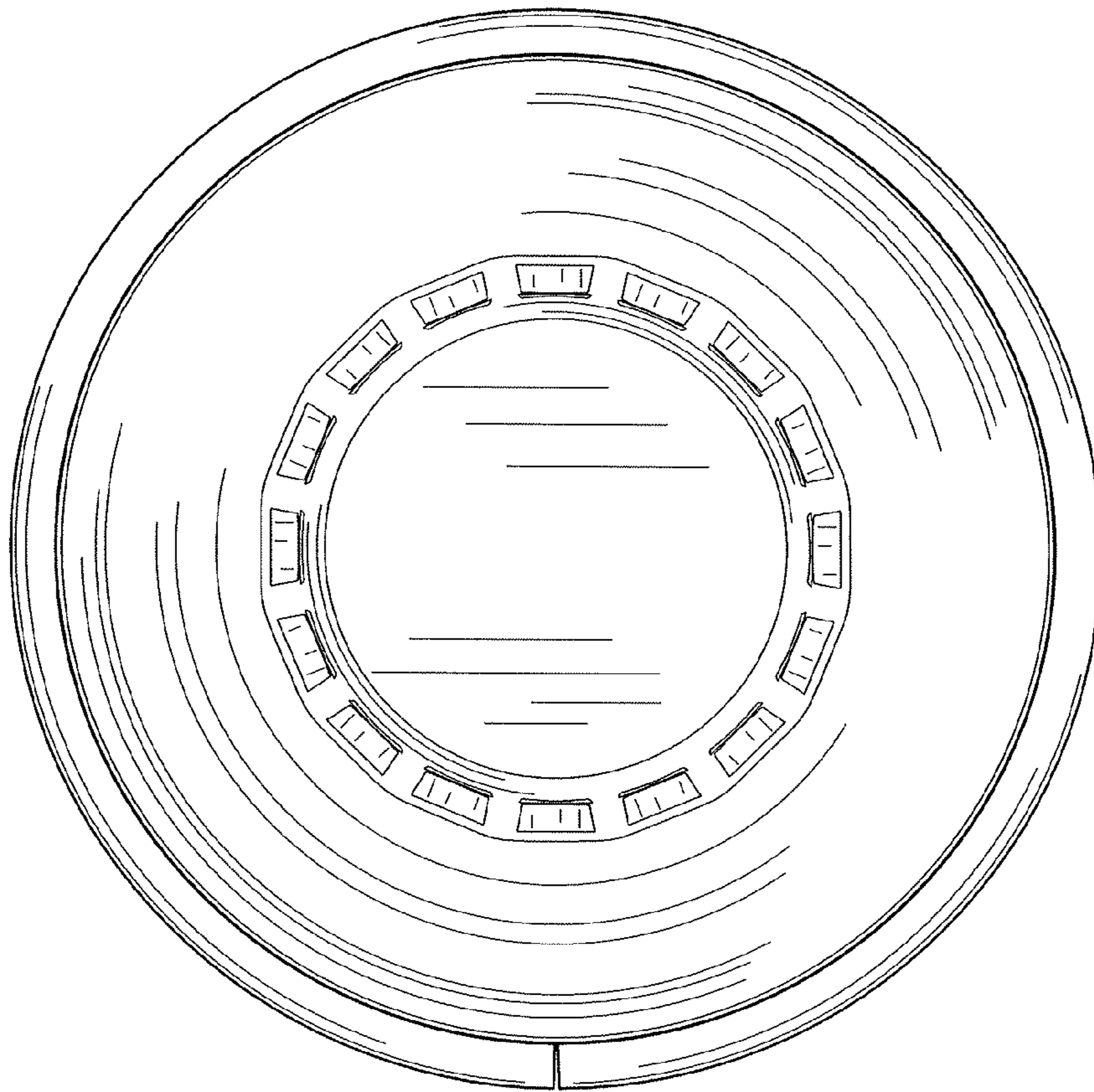


FIG. 6