



US00D704382S

(12) **United States Design Patent**
Wu et al.

(10) **Patent No.:** **US D704,382 S**

(45) **Date of Patent:** **** May 6, 2014**

- (54) **CUBE OF AQUARIUM**
- (71) Applicant: **Shenzhen Xingrisheng Industrial Co., Ltd.**, Shenzhen (CN)
- (72) Inventors: **Wang Wu**, Shenzhen (CN); **Huazhao Xu**, Shenzhen (CN)
- (73) Assignee: **Shenzhen Xingrisheng Industrial Co., Ltd.**, Longgang District, Shenzhen (CN)

4,920,922 A *	5/1990	Tominaga	119/265
D356,404 S *	3/1995	Hashimoto	D30/101
D357,556 S *	4/1995	Hashimoto	D30/101
5,404,839 A *	4/1995	Mancuso	119/246
D361,165 S *	8/1995	Ichikawa	D30/101
D448,124 S *	9/2001	Wang	D30/101
D596,808 S *	7/2009	Belter	D30/101
2007/0051321 A1 *	3/2007	Chang	119/266

* cited by examiner

Primary Examiner — Wan Laymon

(**) Term: **14 Years**

(57) **CLAIM**

The ornamental design for a cube of aquarium, as shown and described.

(21) Appl. No.: **29/441,883**

DESCRIPTION

(22) Filed: **Jan. 10, 2013**

(51) **LOC (10) Cl.** **30-02**

(52) **U.S. Cl.**
USPC **D30/101**

(58) **Field of Classification Search**
USPC D30/101-107; D11/145; 47/69;
119/245-247, 253, 265-269
See application file for complete search history.

FIG. 1 is a top, front, right perspective view of a cube of aquarium showing our new design;
FIG. 2 is a top, rear, left perspective view thereof;
FIG. 3 is a front plan view thereof;
FIG. 4 is a rear plan view thereof;
FIG. 5 is a left plan view thereof;
FIG. 6 is a right plan view thereof; and,
FIG. 7 is a top plan view thereof.

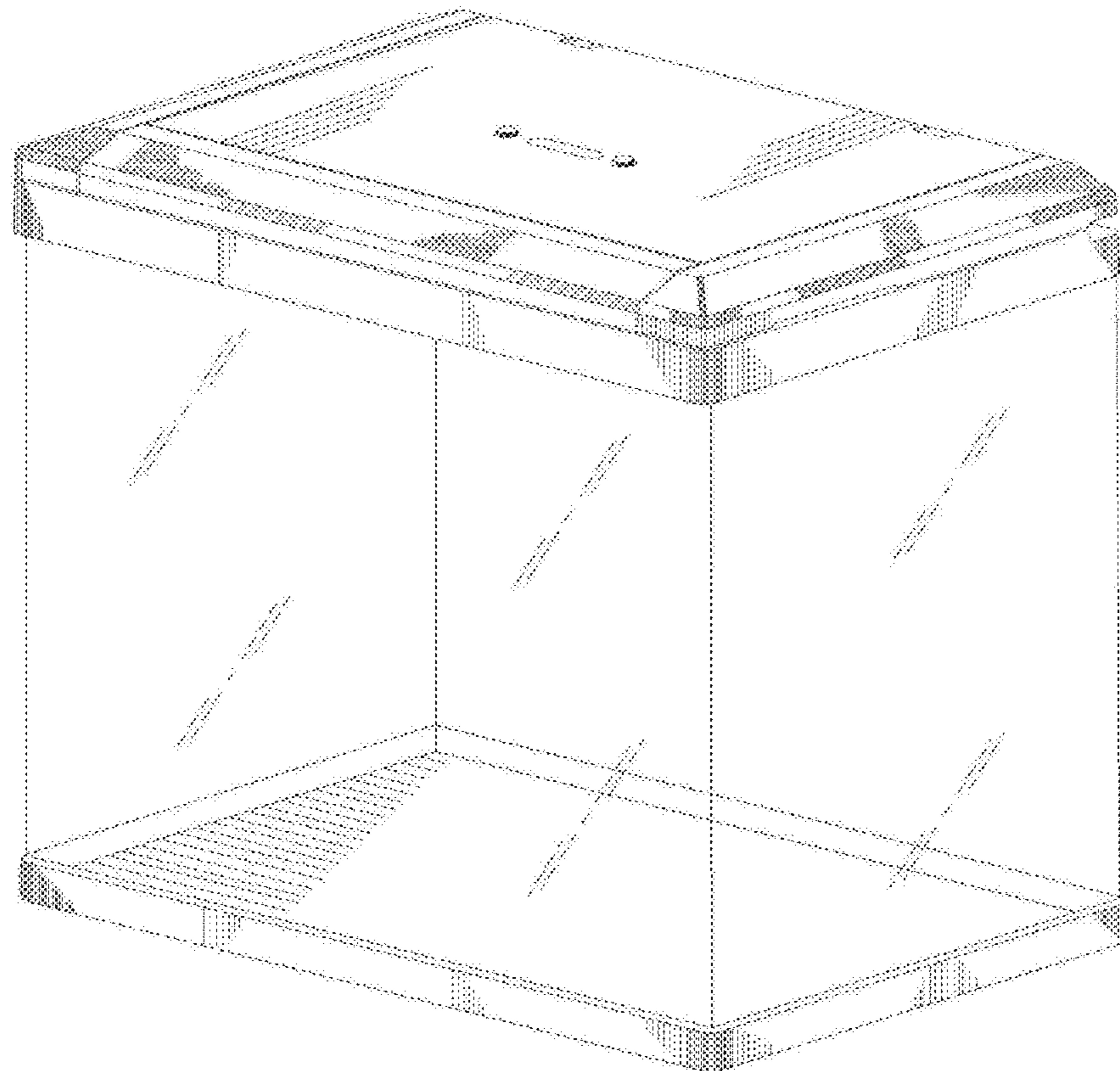
The broken lines in FIG. 4 are included for the purpose of illustrating portions of the article that form no part of the claimed design.

(56) **References Cited**

U.S. PATENT DOCUMENTS

D158,074 S *	4/1950	Hollick-Smith	D30/101
4,576,115 A *	3/1986	Gordon	119/265

1 Claim, 7 Drawing Sheets



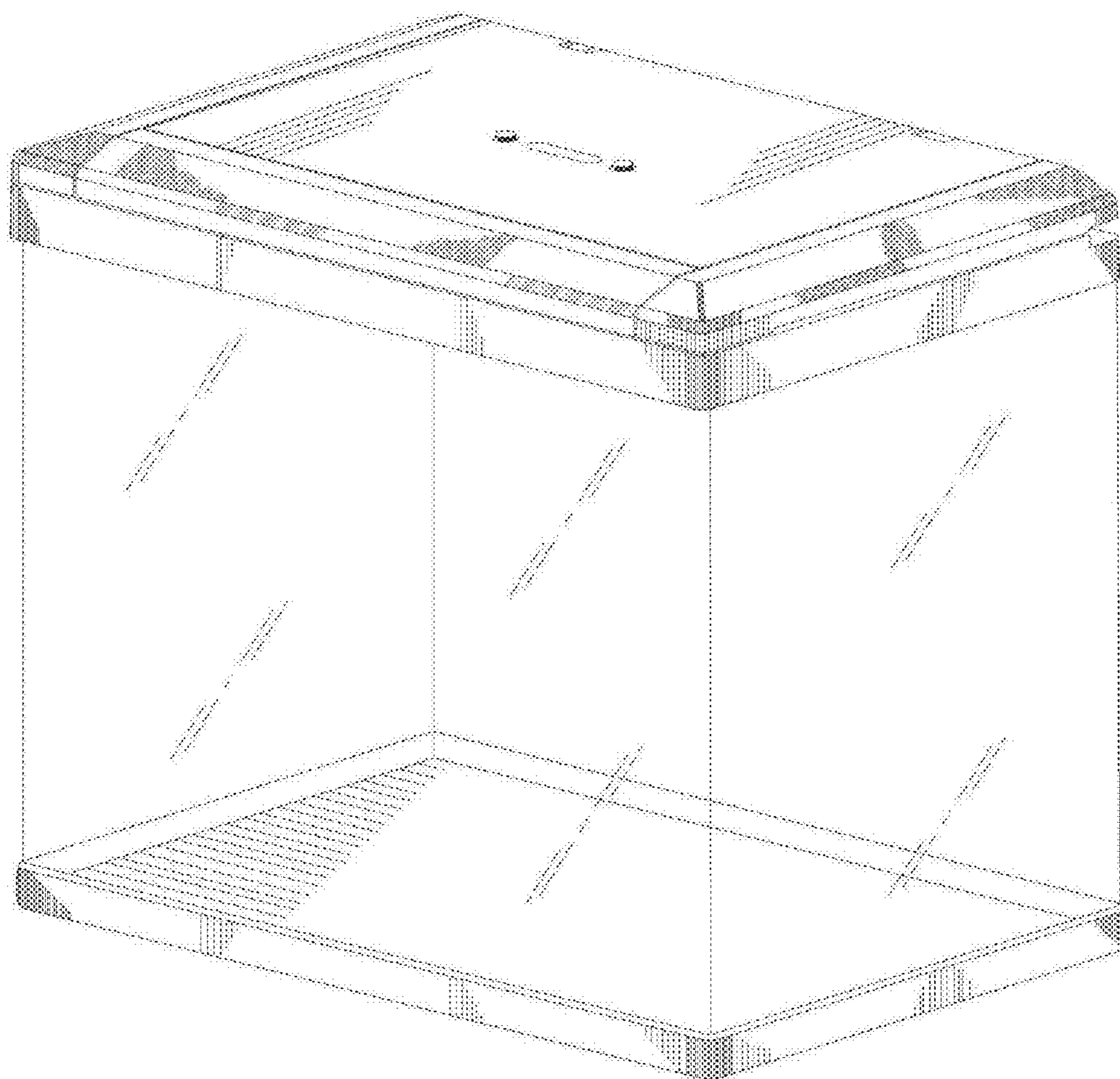


FIG. 1

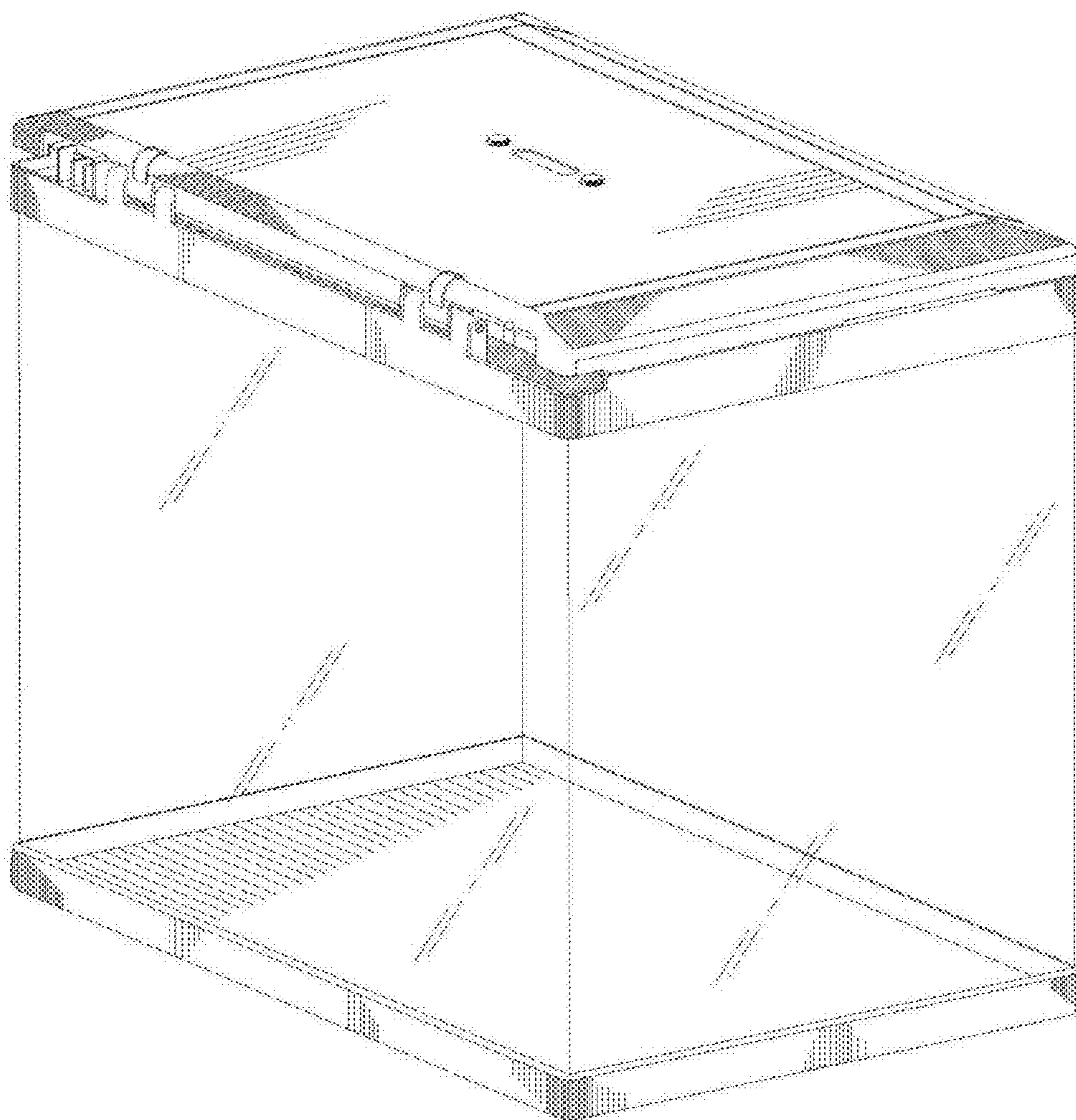


FIG. 2

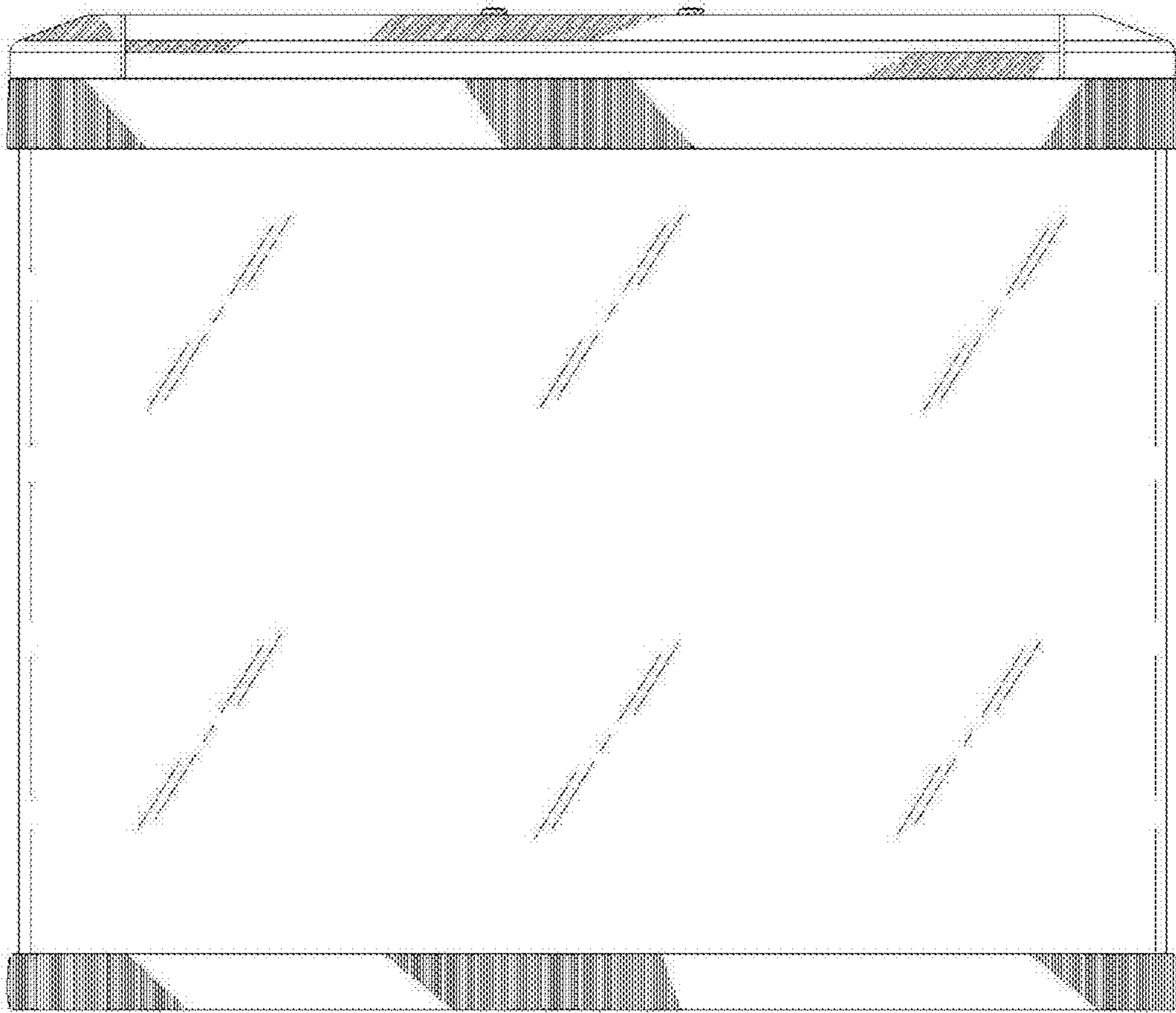


FIG. 3

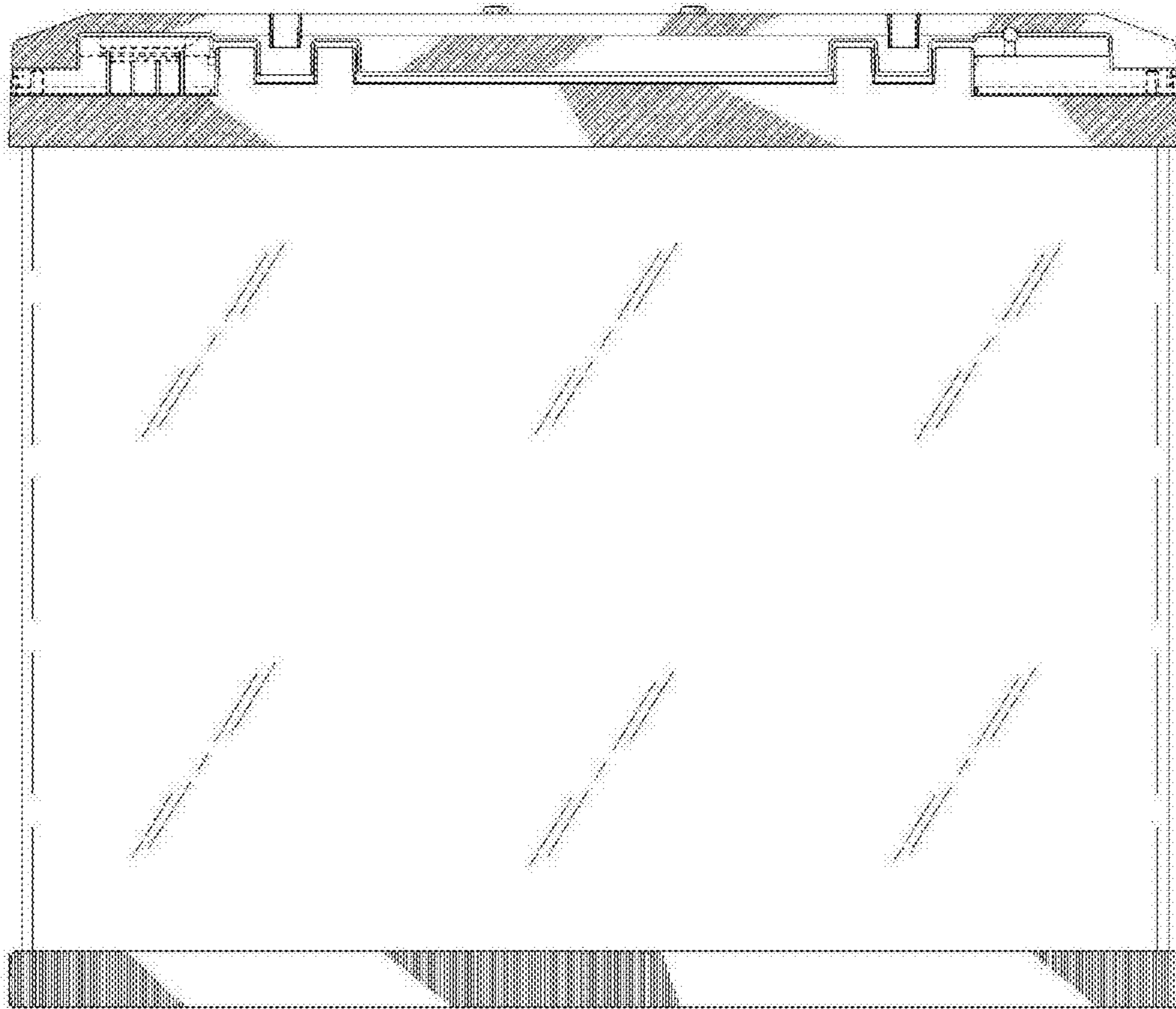


FIG. 4

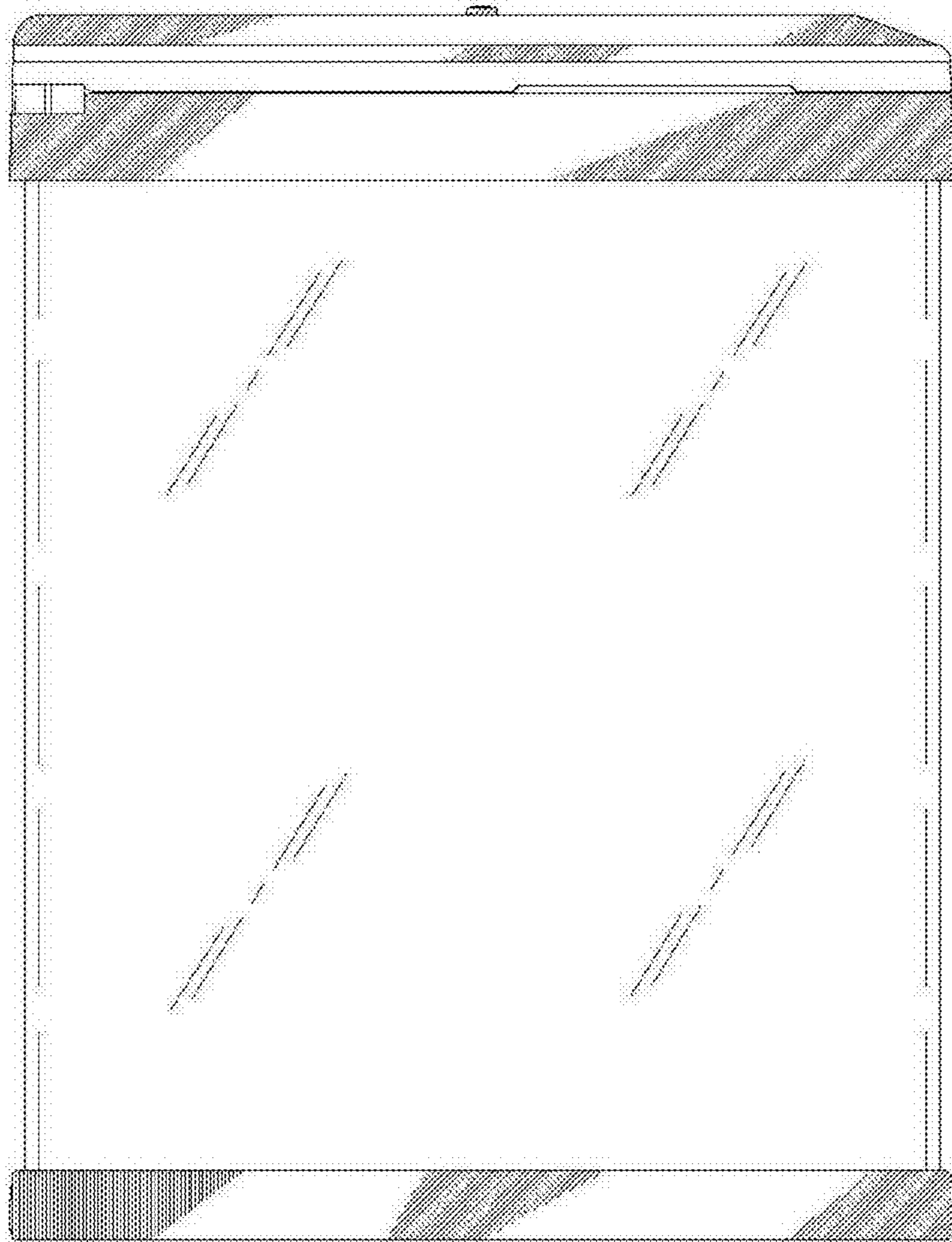


FIG. 5

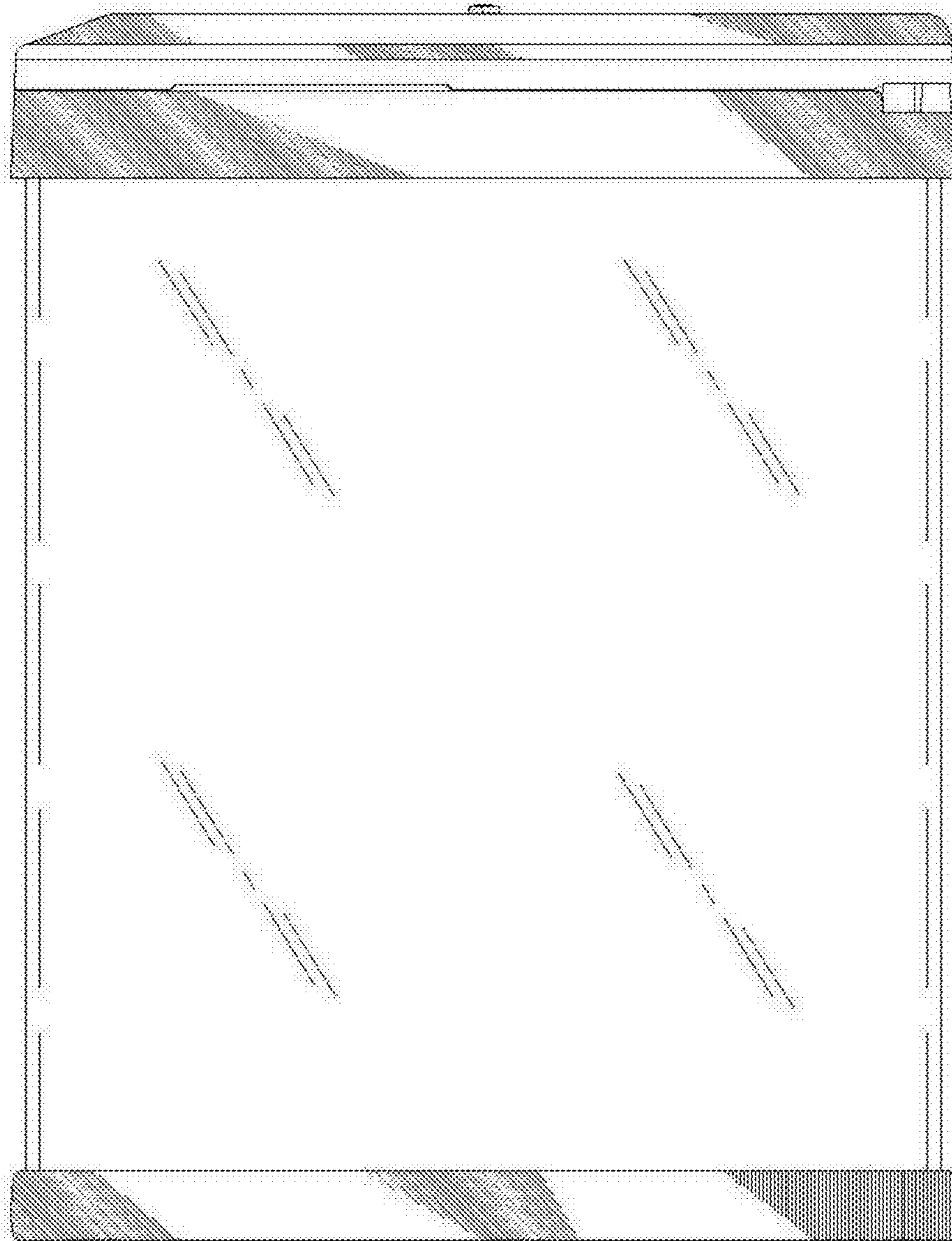


FIG. 6

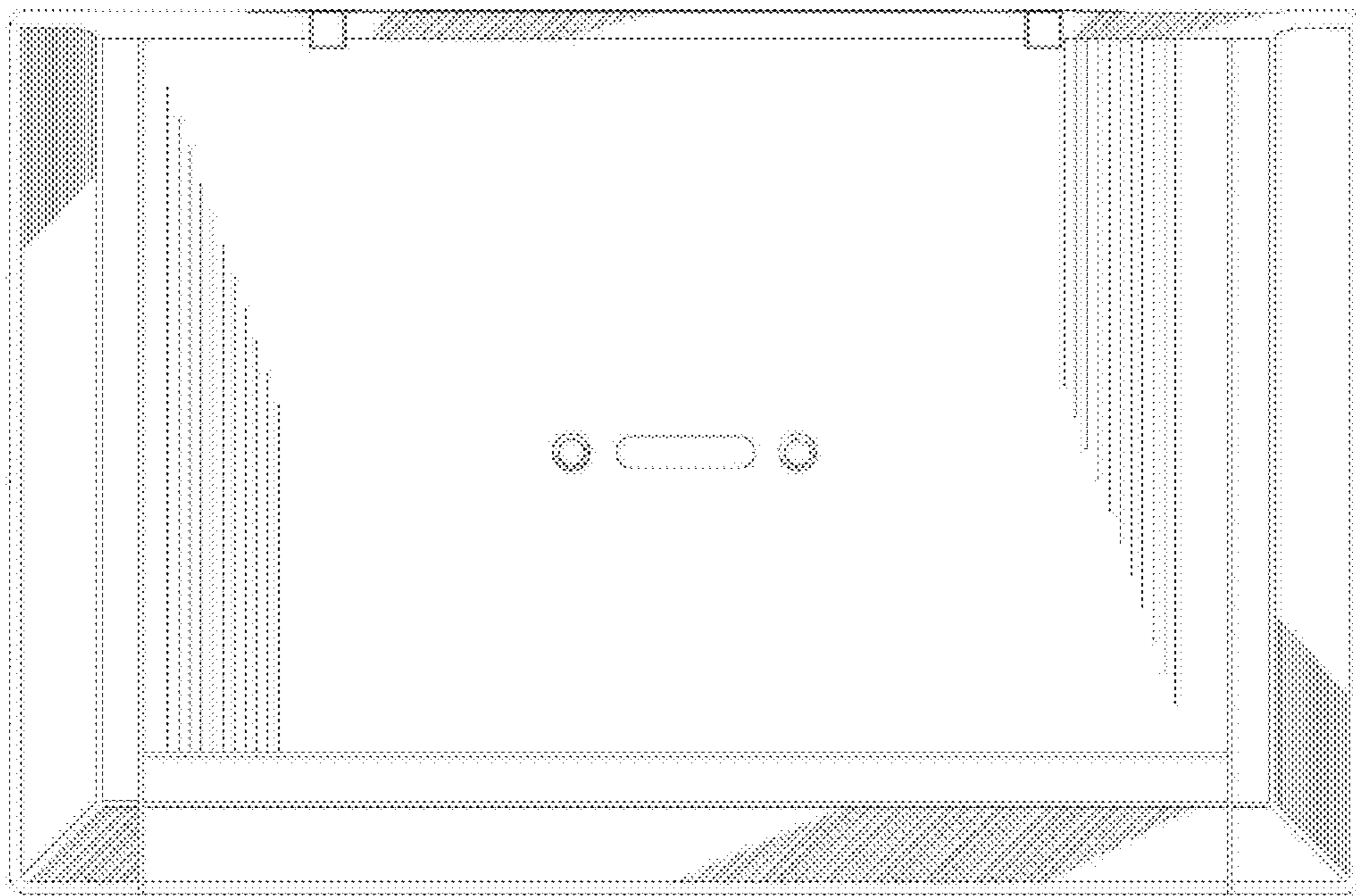


FIG. 7