



US00D704378S

(12) **United States Design Patent**
Zreik et al.

(10) **Patent No.:** **US D704,378 S**
(45) **Date of Patent:** **** May 6, 2014**

- (54) **GEL POLISH REMOVAL TOOL**
- (75) Inventors: **Marwan Zreik**, Aliso Viejo, CA (US);
Stephanie Tao, Newport Coast, CA (US)
- (73) Assignee: **Pacific World Corporation**, Aliso Viejo,
CA (US)
- (**) Term: **14 Years**
- (21) Appl. No.: **29/431,494**
- (22) Filed: **Sep. 7, 2012**
- (51) **LOC (10) Cl.** **28-03**
- (52) **U.S. Cl.**
USPC **D28/57; D24/152**
- (58) **Field of Classification Search**
CPC A45D 29/007; A45D 29/16; A45D 29/17
USPC 132/200, 73, 73.5, 76.5; D28/56-60;
D24/152-154, 133, 146
See application file for complete search history.

6,988,502	B2	2/2004	Tsukamoto	
6,758,220	B2	7/2004	Willis	
D571,962	S *	6/2008	Wittke-Kothe D28/57
D573,309	S *	7/2008	Wittke-Kothe D28/57
D588,749	S *	3/2009	Wittke-Kothe D28/57
D612,993	S *	3/2010	Schaeffer D28/57
2002/0148479	A1 *	10/2002	Willis 132/75.3
2005/0092337	A1 *	5/2005	Cyrus 132/73
2011/0284017	A1	11/2011	Nakamura	

OTHER PUBLICATIONS

Sephora by OPI gelshine Gel Colour Removal Kit, www.sephora.com/gel-removal-kit-P374811.
Mally 24/7 Gel Polish Removal Kit, www.qvc.com/qvc.product.A323428.html.
Orly—Gel FX Pusher & Removal Tool, www.nailsupplies.us/orly-gel-fx-pusher-remover/.

* cited by examiner

Primary Examiner — Jennifer Rivard
(74) *Attorney, Agent, or Firm* — Waller Lansden Dortch & Davis, LLP; Kelly J. Hollowell

(57) **CLAIM**

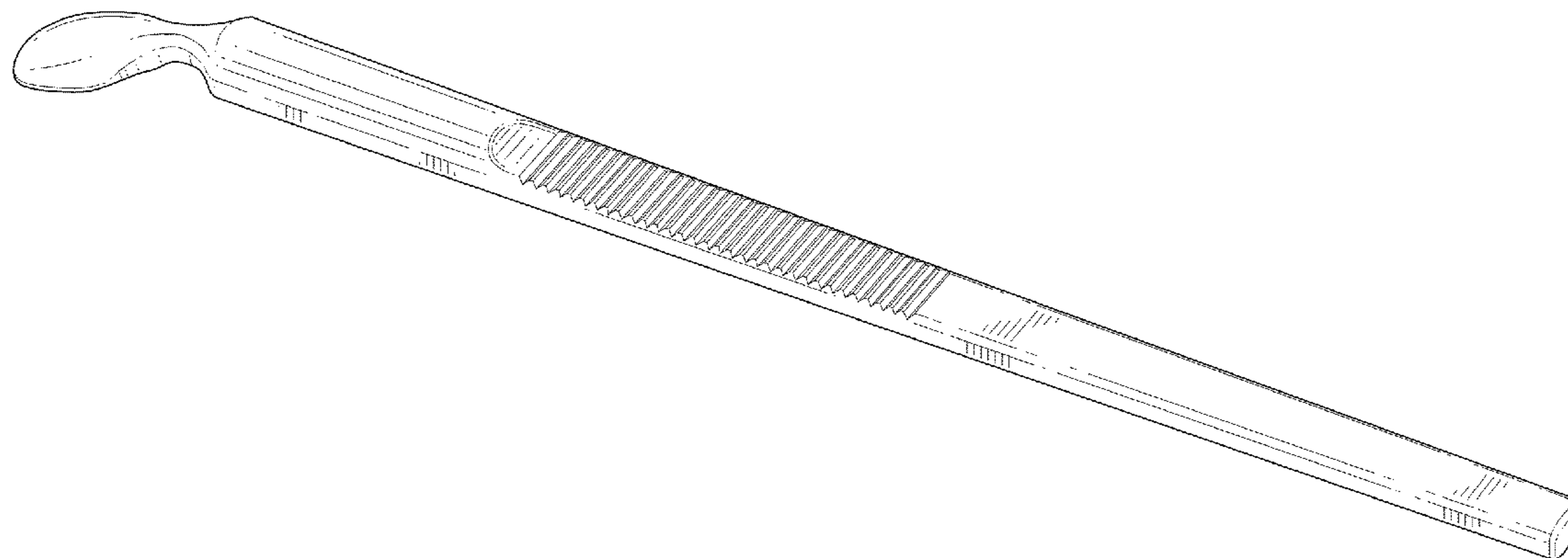
The ornamental design for a gel polish removal tool, as shown and described.

DESCRIPTION

FIG. 1 is a perspective view of the bottom of the invention;
FIG. 2 is a perspective view of the top of the invention;
FIG. 3 is a bottom view of the invention;
FIG. 4 is a top view of the invention in an inverted position;
FIG. 5 is a right side view of the invention;
FIG. 6 is a front end view; and,
FIG. 7 is a back end view.

1 Claim, 4 Drawing Sheets

- (56) **References Cited**
- U.S. PATENT DOCUMENTS**
- D279,706 S * 7/1985 Steinberg D24/149
- 4,559,957 A 12/1985 Hokama
- 4,930,529 A 6/1990 Whitney
- 5,755,239 A 5/1998 Baltierra
- 5,803,092 A * 9/1998 Baltierra 132/73
- D415,318 S * 10/1999 Baltierra D28/57
- D415,592 S * 10/1999 Baltierra D28/57
- 6,035,859 A 3/2000 Antonopoulos-McIvor
- D436,230 S 1/2001 Baltierra
- D437,455 S * 2/2001 Baltierra D28/57
- 6,305,383 B1 10/2001 Thoma
- 6,367,485 B1 4/2002 Dutton-Davis et al.



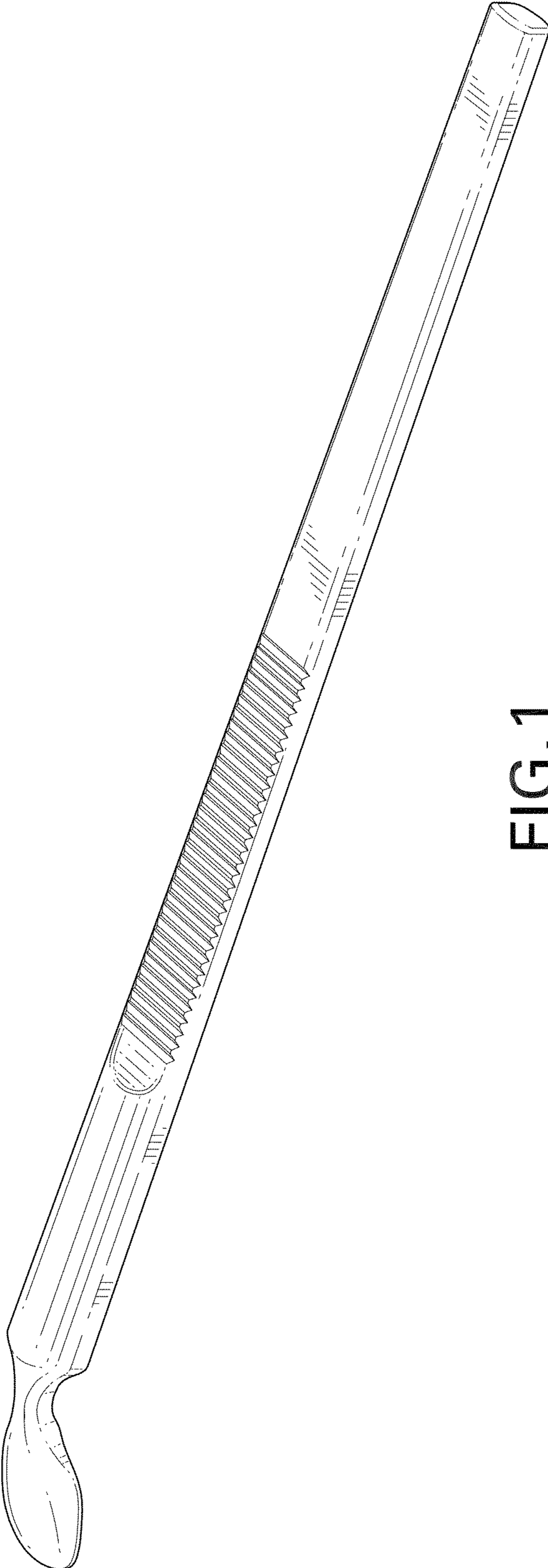


FIG. 1

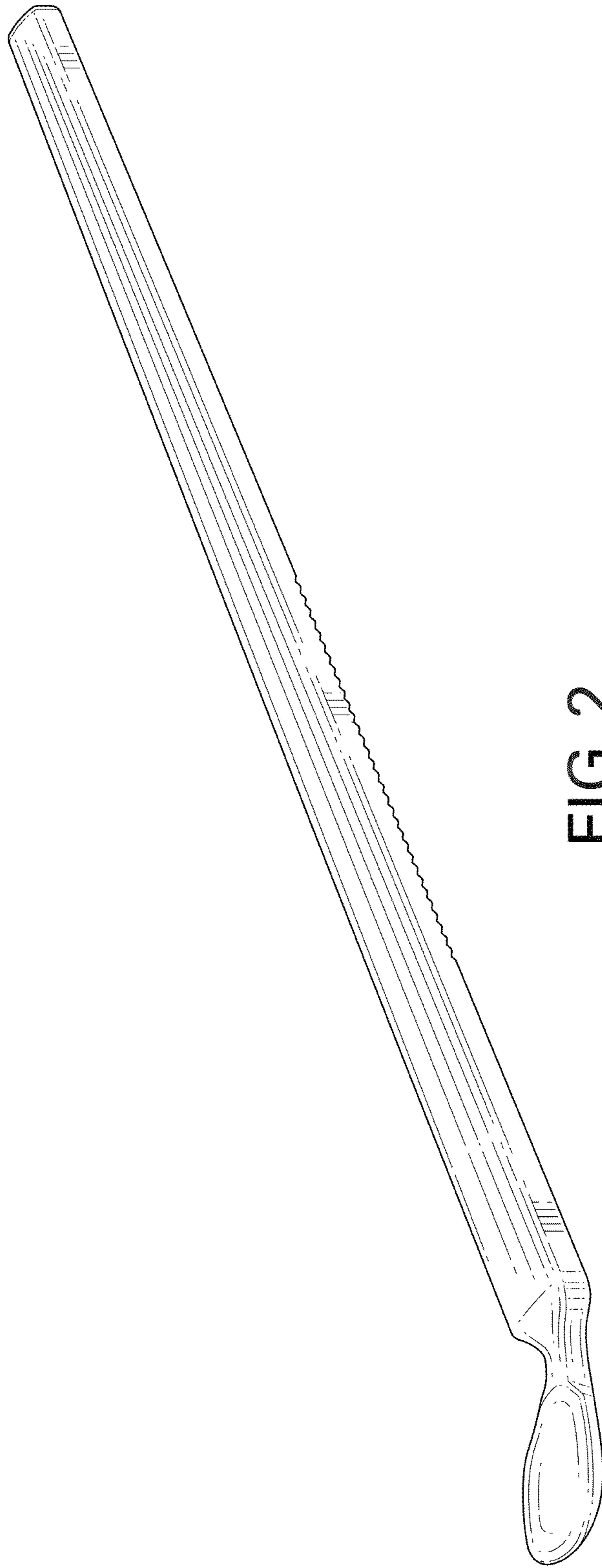


FIG. 2

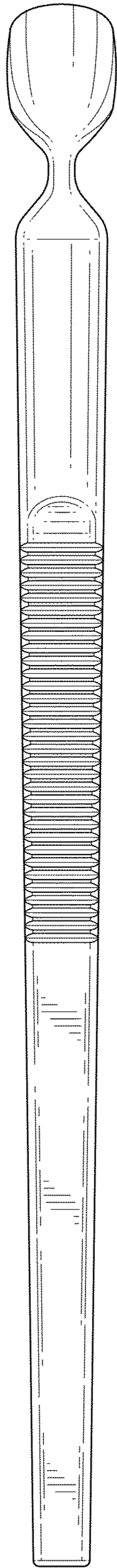


FIG. 3

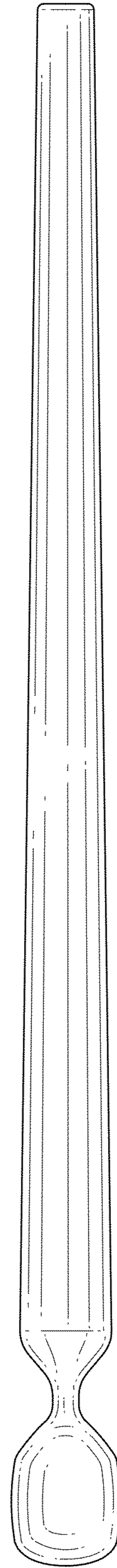


FIG. 4

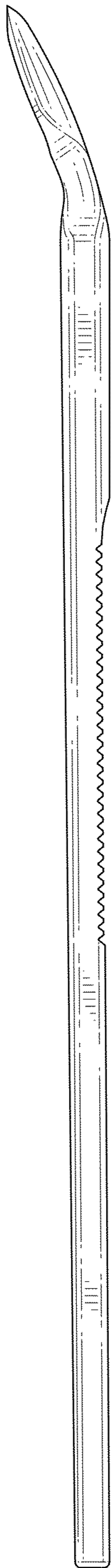


FIG. 5

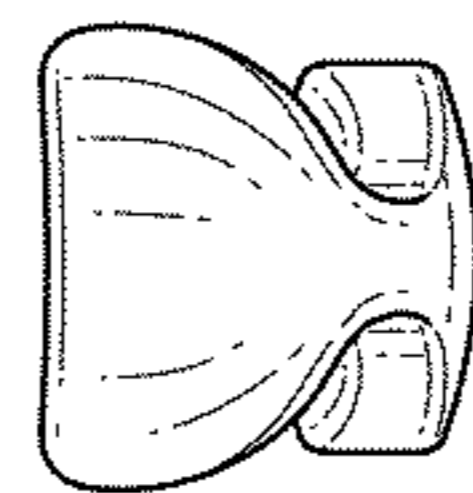


FIG. 7

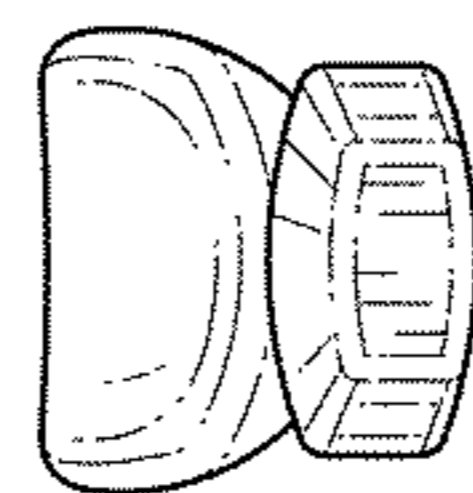


FIG. 6