



US00D704375S

(12) **United States Design Patent**
Bailey et al.

(10) **Patent No.:** **US D704,375 S**

(45) **Date of Patent:** **** May 6, 2014**

(54) **LUMINAIRE HOUSING**

(75) Inventors: **Christopher L. Bailey**, Palmetto, FL
(US); **Adam J. Clark**, Bradenton, FL
(US)

(73) Assignee: **Hubbell Incorporated**, Shelton, CT
(US)

(**) Term: **14 Years**

(21) Appl. No.: **29/425,838**

(22) Filed: **Jun. 27, 2012**

Related U.S. Application Data

(62) Division of application No. 29/376,480, filed on Oct. 7, 2010, now Pat. No. Des. 673,720.

(51) **LOC (10) Cl.** **26-99**

(52) **U.S. Cl.**

USPC **D26/138**

(58) **Field of Classification Search**

USPC D26/24, 25, 26, 28, 113, 118, 119, 120,
D26/64, 65, 72, 74, 75, 73, 68, 69, 70, 71,
D26/152, 153, 154, 122, 123, 145, 155, 121,
D26/138, 139, 86, 85, 87, 89, 66, 67, 76, 77,
D26/78, 84, 88, 95, 96, 124, 125, 126, 127,
D26/128, 129, 146, 144, 130, 151, 142, 143,
D26/140, 141; 362/362, 326, 373, 623, 600,
362/371, 297, 294, 249.01, 249.02,
362/249.03–249.05, 218; 257/88; D13/179,
D13/180

See application file for complete search history.

(56) **References Cited**

U.S. PATENT DOCUMENTS

D119,792 S * 4/1940 Pieper D26/63
2,338,077 A 12/1943 Seribner

D150,735 S 8/1948 Schwartz et al.
3,213,270 A 10/1965 Appleton et al.
3,265,885 A 8/1966 Porter
3,502,858 A 3/1970 Habro et al.
3,525,142 A 8/1970 Osborne, Jr.
3,636,339 A 1/1972 Osborne, Jr.
4,557,225 A 12/1985 Sagues et al.
4,849,862 A 7/1989 Diskin et al.
4,985,815 A 1/1991 Endo

(Continued)

Primary Examiner — Kevin Rudzinski

(74) *Attorney, Agent, or Firm* — Alan I. Cantor; Mark S. Bicks; Alfred N. Goodman

(57) **CLAIM**

The ornamental design for a luminaire housing, as shown and described.

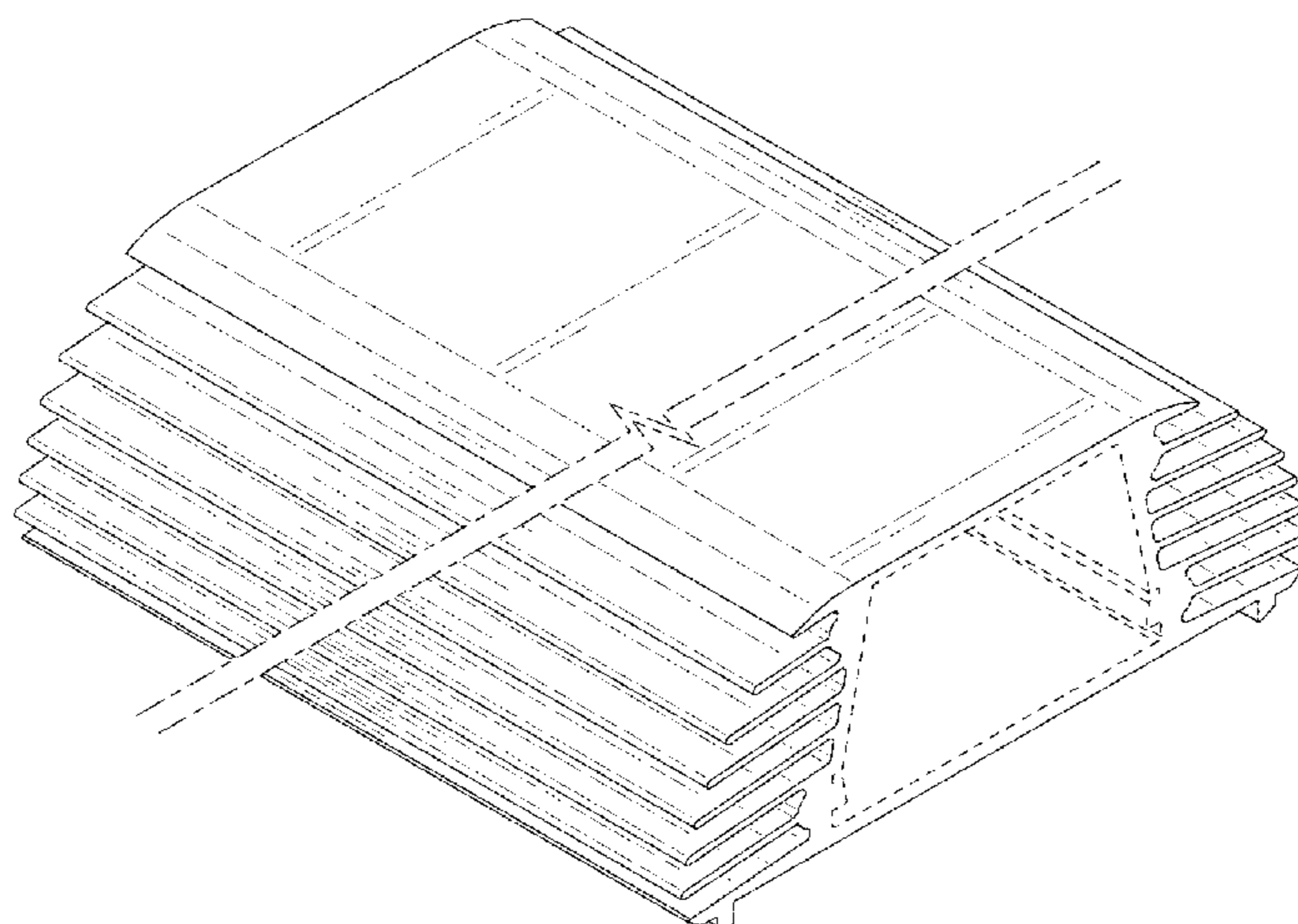
DESCRIPTION

FIG. 1 is a top perspective view of a luminaire housing in accordance with the present invention; FIG. 2 is a front elevational view of the luminaire housing of FIG. 1, the rear elevation being the same as that shown; FIG. 3 is a bottom perspective view of the luminaire housing of FIG. 1; FIG. 4 is a top plan view of the luminaire housing of FIG. 1; FIG. 5 is a side elevational view of the luminaire housing of FIG. 1, the opposite side being the same as that shown; and, FIG. 6 is a bottom plan view of the luminaire housing of FIG. 1.

The luminaire housing is shown with a symbolic break in its length. The appearance of any portion of the article between the break lines forms no part of the claimed design.

The broken lines of uniform length in FIGS. 1-3 illustrate portions of the luminaire housing of indeterminate length that form no part of the claimed design.

1 Claim, 6 Drawing Sheets



(56)

References Cited

U.S. PATENT DOCUMENTS

D315,832 S	4/1991	Rocheleau et al.	
D323,897 S *	2/1992	Compton	D26/24
D338,449 S	8/1993	Sahyoun	
D360,047 S	7/1995	Zimmerman et al.	
5,515,254 A	5/1996	Smith et al.	
D418,626 S	1/2000	Herst et al.	
D421,147 S	2/2000	Herst et al.	
D434,519 S	11/2000	Herst et al.	
D435,310 S	12/2000	Herst et al.	
D437,958 S	2/2001	Doron, Jr. et al.	
6,305,874 B1	10/2001	Custers et al.	
6,340,868 B1	1/2002	Lys et al.	
6,573,536 B1	6/2003	Dry	
D484,633 S	12/2003	Campagna	
6,720,566 B2	4/2004	Blandford	
6,815,724 B2	11/2004	Dry	
6,831,303 B2	12/2004	Dry	
6,905,214 B2	6/2005	Tani	
6,984,055 B2	1/2006	McCarthy et al.	
7,033,060 B2	4/2006	Dubuc	
7,198,387 B1	4/2007	Gloisten et al.	
7,234,844 B2	6/2007	Bolta et al.	
7,242,028 B2	7/2007	Dry	
7,267,461 B2	9/2007	Kan et al.	
7,288,796 B2	10/2007	Dry	
D556,935 S	12/2007	Quioque et al.	
D568,521 S	5/2008	Compton	
D570,533 S	6/2008	Morgan	
D574,107 S	7/2008	Tress et al.	
D576,330 S	9/2008	Ruud et al.	
D577,455 S *	9/2008	Zheng et al.	D26/71
7,420,811 B2	9/2008	Chan	
D578,696 S	10/2008	Wang et al.	
7,438,448 B2	10/2008	Chen	
7,506,995 B2	3/2009	Thomas et al.	
D599,940 S	9/2009	Zheng	
D603,077 S	10/2009	Kinnune et al.	
7,600,908 B2	10/2009	Chang et al.	
D606,501 S	12/2009	Plonski et al.	
D607,593 S *	1/2010	Yoo	D26/71
7,665,866 B2	2/2010	Mayer et al.	
7,695,161 B2 *	4/2010	Zhang et al.	362/294
D615,233 S *	5/2010	Josefowicz et al.	D26/71
D621,968 S	8/2010	Schultz	
7,766,513 B2 *	8/2010	Zhang et al.	362/294
D623,342 S	9/2010	Klus	
D623,343 S	9/2010	Klus	
D625,463 S	10/2010	Klus	
D627,095 S	11/2010	Miyairi et al.	
D630,790 S	1/2011	Josefowicz et al.	
D631,998 S	2/2011	Little, Jr. et al.	
D631,999 S	2/2011	Little, Jr. et al.	
D632,000 S	2/2011	Little, Jr. et al.	
D634,875 S	3/2011	Jiang et al.	
D636,524 S *	4/2011	Lin	D26/118
7,922,372 B2 *	4/2011	Li	362/373
D641,908 S *	7/2011	McKee	D26/71
7,972,035 B2	7/2011	Boyer	
D643,960 S	8/2011	Waldmann	
8,007,142 B2 *	8/2011	Ku et al.	362/368
8,038,327 B1	10/2011	Franck et al.	
D648,473 S	11/2011	Lin et al.	
D648,885 S	11/2011	Toratani	
8,047,682 B2	11/2011	Zheng et al.	
D663,462 S *	7/2012	Butler et al.	D26/71
D668,370 S *	10/2012	Guercio et al.	D26/71
D670,857 S *	11/2012	Butler et al.	D26/138
D672,492 S *	12/2012	Butler et al.	D26/71
D673,720 S *	1/2013	Bailey et al.	D26/138
2004/0026721 A1	2/2004	Dry	
2004/0141326 A1	7/2004	Dry	
2005/0258439 A1	11/2005	Dry	
2005/0258440 A1	11/2005	Dry	
2005/0269581 A1	12/2005	Dry	
2006/0146531 A1	7/2006	Reo et al.	
2006/0250803 A1	11/2006	Chen	
2006/0262545 A1	11/2006	Pieprgras et al.	
2007/0070628 A1	3/2007	Chen	
2007/0086196 A1	4/2007	Wong	
2007/0159827 A1	7/2007	Huang	
2008/0192478 A1	8/2008	Chen	
2008/0273326 A1	11/2008	Wilcox et al.	
2008/0285264 A1	11/2008	Whitehouse et al.	
2009/0213588 A1	8/2009	Manes	
2009/0237930 A1	9/2009	Li	
2009/0251898 A1	10/2009	Kinnune et al.	
2009/0303711 A1	12/2009	Remus et al.	
2010/0027269 A1 *	2/2010	Lo et al.	362/294
2010/0149809 A1	6/2010	Ruud et al.	
2010/0195326 A1	8/2010	Boxler et al.	
2010/0271822 A1 *	10/2010	Luo et al.	362/249.02
2011/0038153 A1	2/2011	Hu	
2011/0188233 A1 *	8/2011	Josefowicz et al.	362/158
2011/0194281 A1	8/2011	Josefowicz et al.	

* cited by examiner

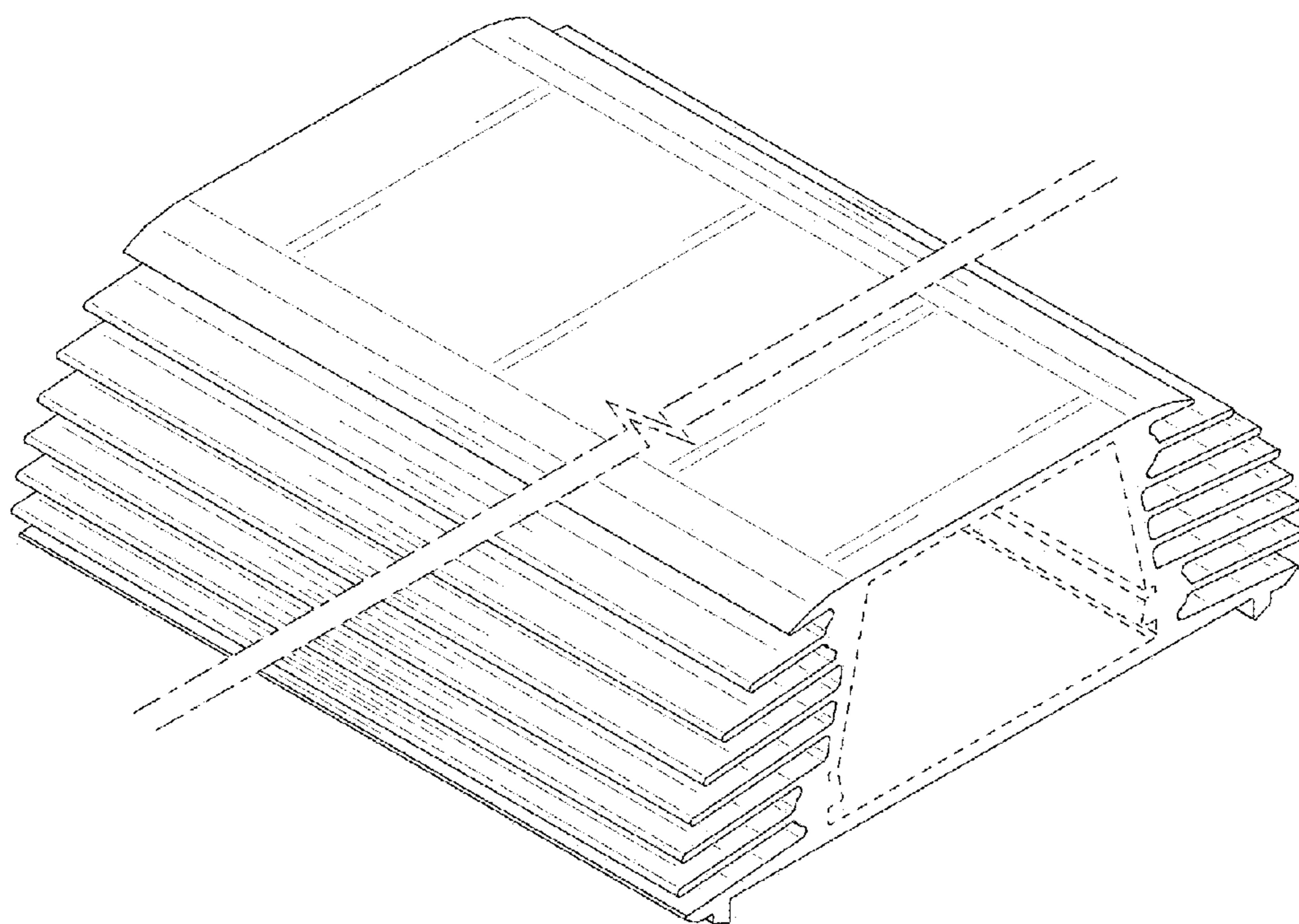


FIG. 1

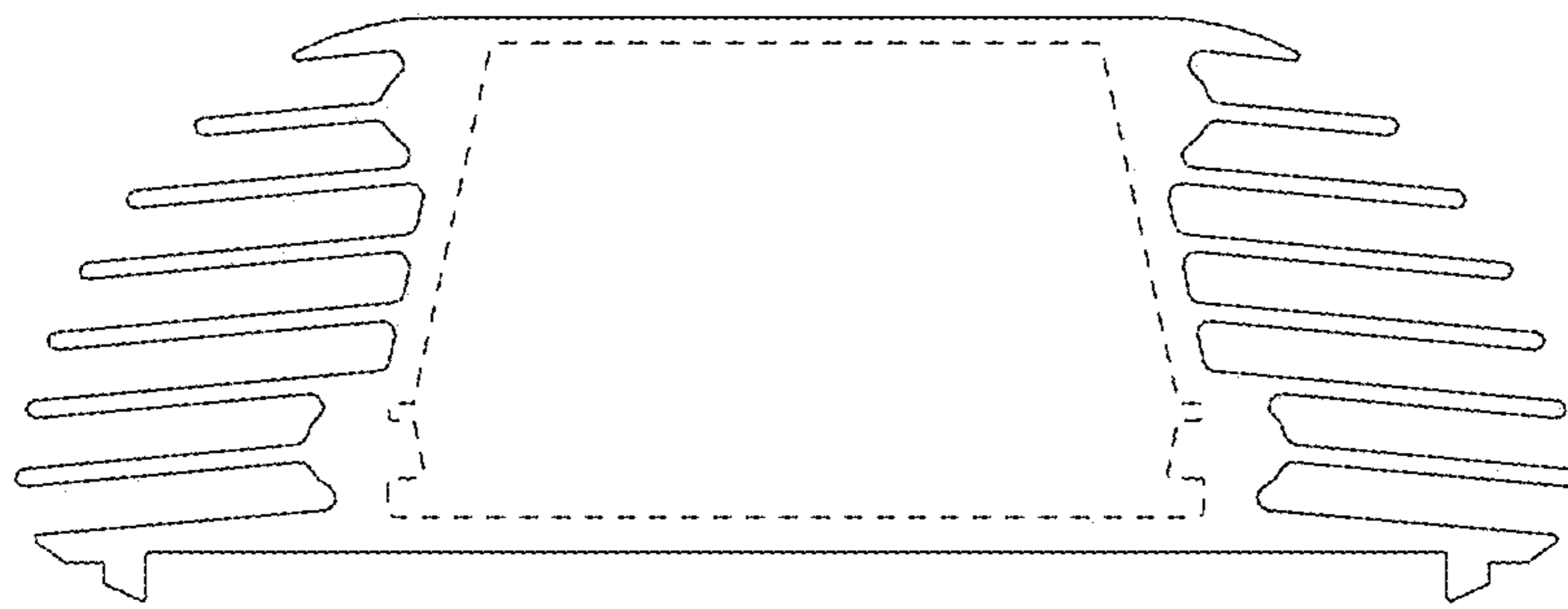


FIG. 2

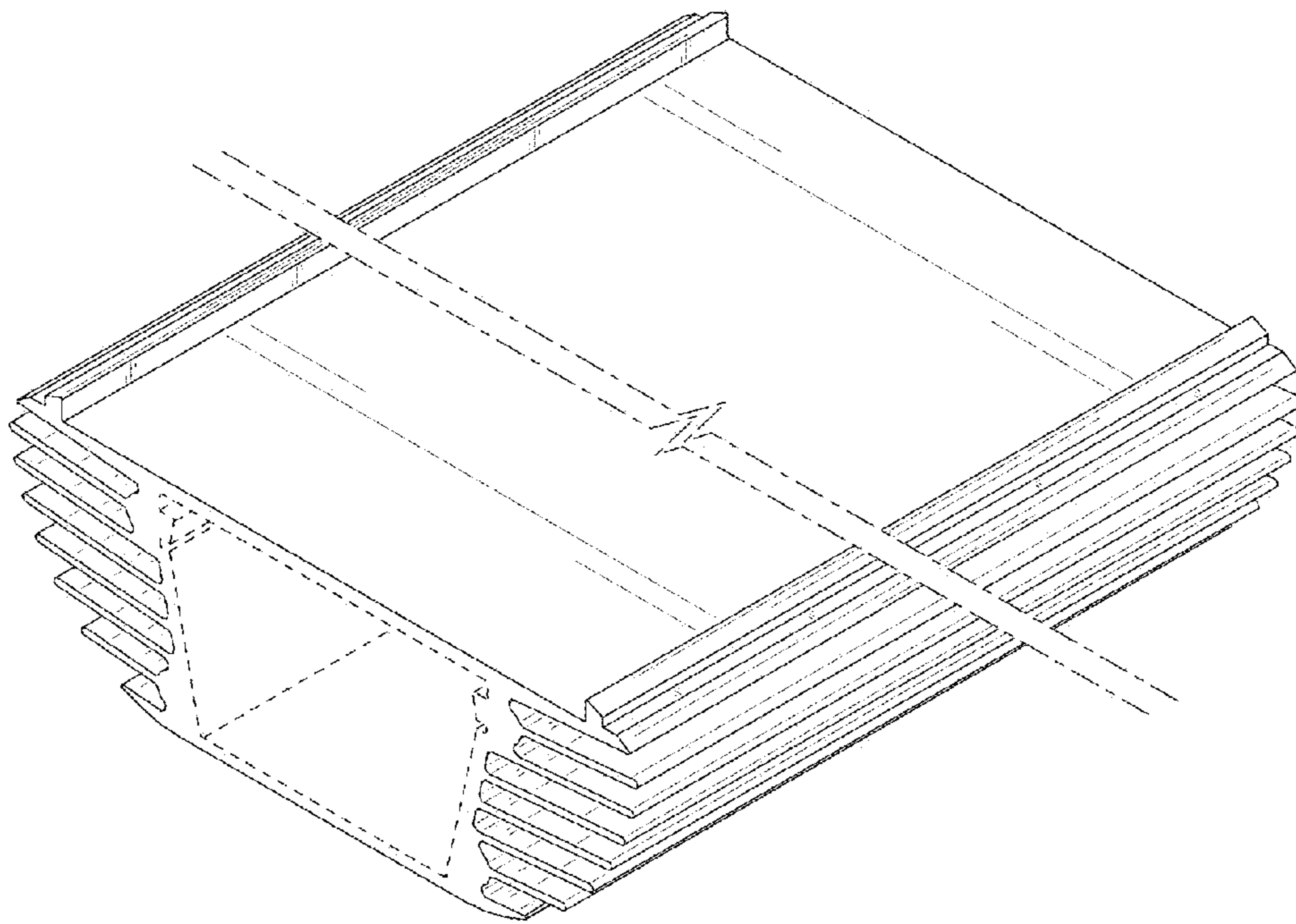


FIG. 3

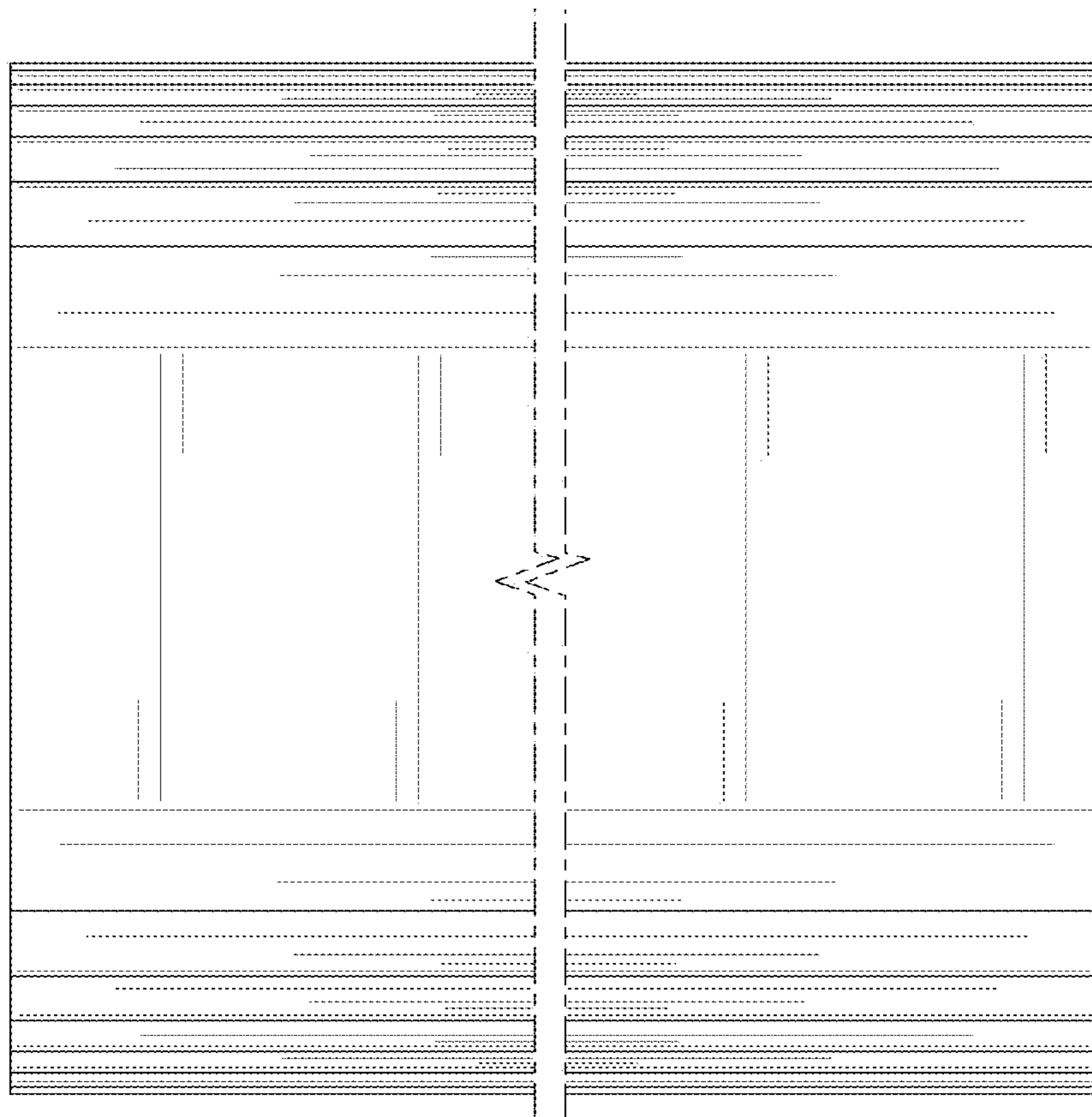


FIG. 4

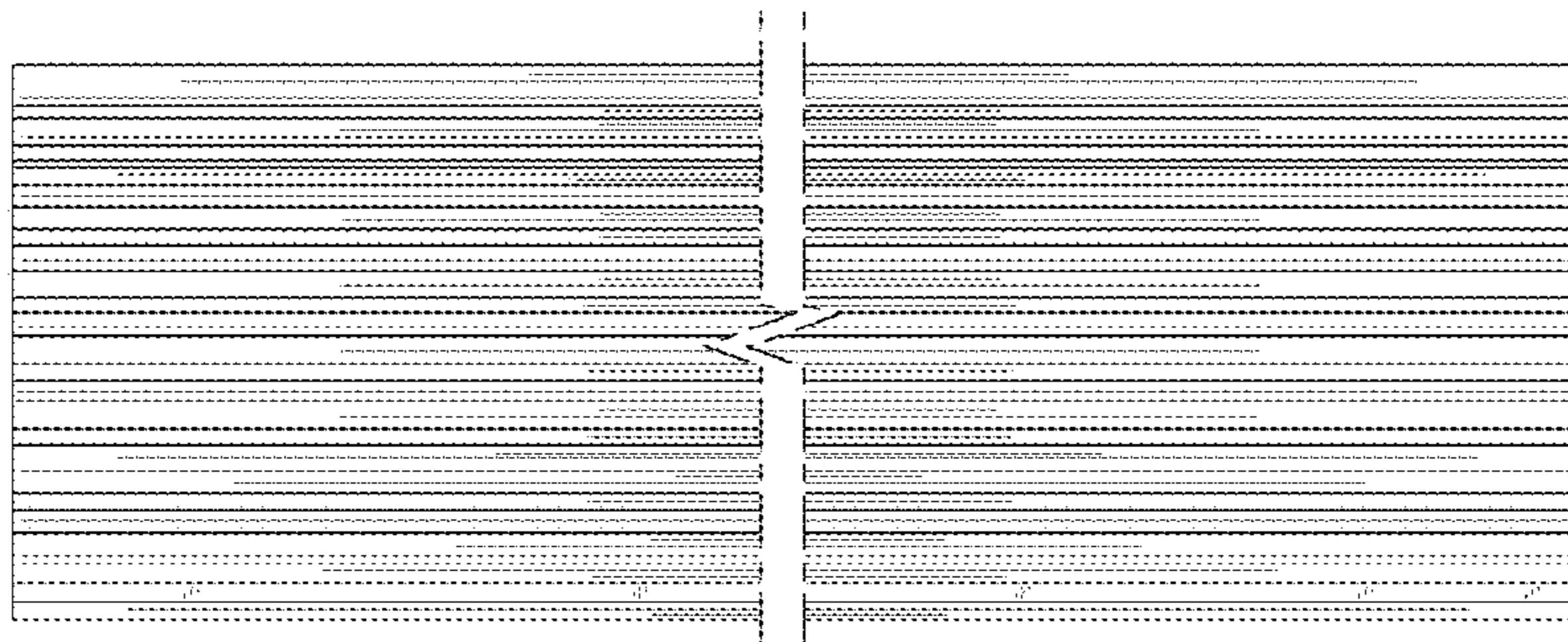


FIG. 5

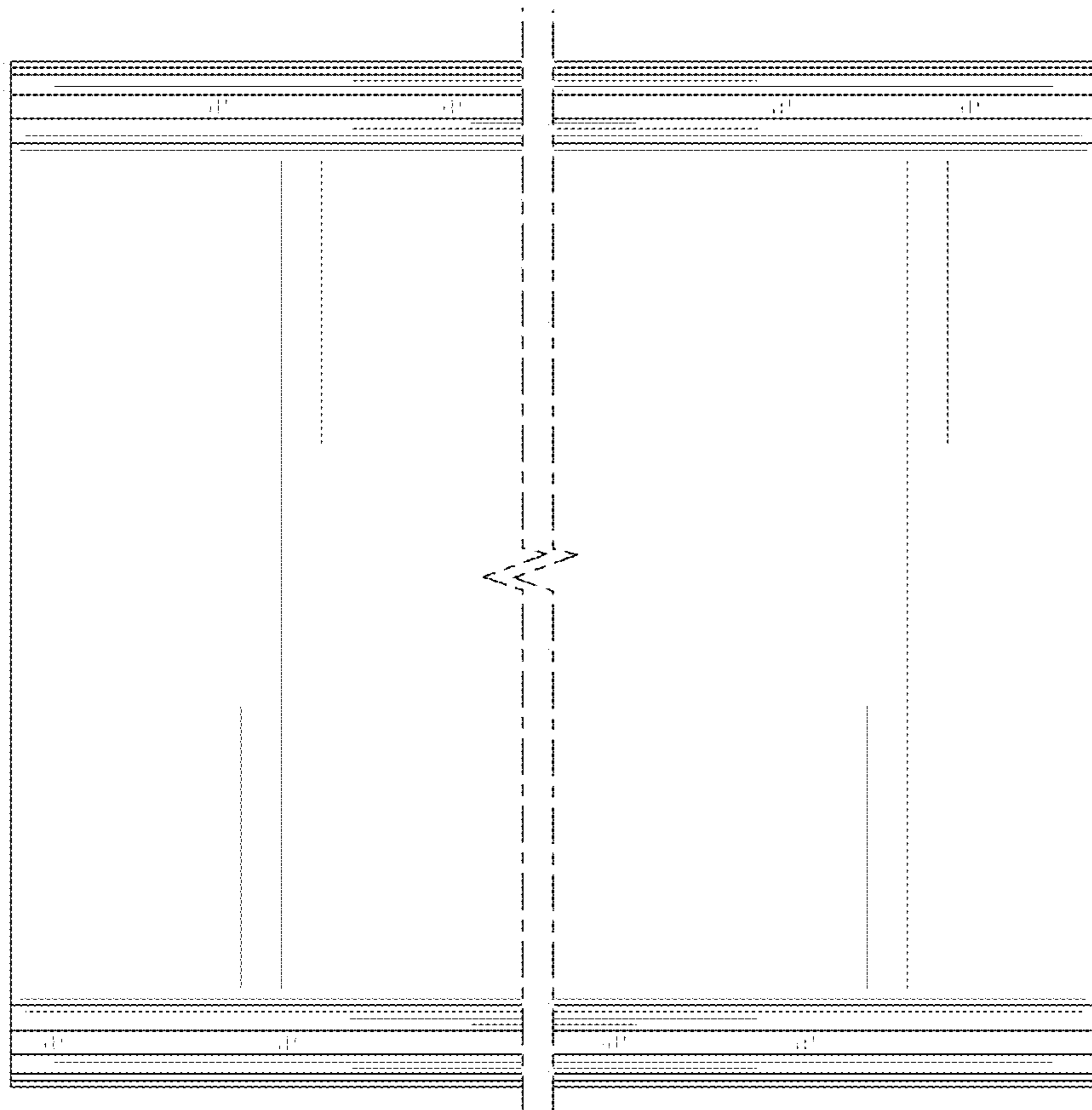


FIG. 6