



US00D704374S

(12) **United States Design Patent**  
**Notaney et al.**

(10) **Patent No.:** **US D704,374 S**  
(45) **Date of Patent:** **\*\* May 6, 2014**

- (54) **DIFFUSING LIGHTING FIXTURE**
- (71) Applicant: **Project Frog, Inc.**, San Francisco, CA (US)
- (72) Inventors: **Ashok Notaney**, San Francisco, CA (US); **Ted Colburn**, San Francisco, CA (US); **George Loisos**, Alameda, CA (US)
- (73) Assignee: **Project Frog, Inc.**, San Francisco, CA (US)
- (\*\*) Term: **14 Years**
- (21) Appl. No.: **29/448,983**
- (22) Filed: **Mar. 14, 2013**
- (51) **LOC (10) Cl.** ..... **26-99**
- (52) **U.S. Cl.**  
USPC ..... **D26/118**
- (58) **Field of Classification Search**  
USPC ..... D26/25, 24, 26, 28, 113, 118, 119, 120, D26/64, 65, 72, 74, 75, 73, 68, 69, 70, 71, D26/152, 153, 154, 122, 123, 145, 155, 121, D26/138, 139, 86, 85, 87, 89, 66, 67, 76, 77, D26/78, 84, 88, 95, 96, 124, 125, 126, 227, D26/128, 129, 136, 144, 130, 151, 142, 143, D26/140, 141, 45, 38, 39, 1, 2, 3, 127; 362/362, 326, 373, 623, 600, 371, 297, 362/294, 249.01, 249.03–249.05, 218; D10/111, 113.1, 114.1; 257/88; D13/179, 180

See application file for complete search history.

(56) **References Cited**

U.S. PATENT DOCUMENTS

2,741,694 A *	4/1956	Wiig et al.	362/340
4,514,793 A *	4/1985	Andreasen	362/306
D321,407 S *	11/1991	Heidmann	D26/72
D364,478 S *	11/1995	Pesau	D26/76
D374,301 S *	10/1996	Kleffman	D26/76
D483,510 S *	12/2003	Fritze et al.	D26/75
D569,026 S *	5/2008	Silver	D26/76
D611,183 S *	3/2010	Duarte	D26/76
D653,376 S *	1/2012	Kong et al.	D26/76
D660,508 S *	5/2012	Kong et al.	D26/141
D665,119 S *	8/2012	Bryant	D26/122
D673,711 S *	1/2013	Pickard et al.	D26/74
D677,820 S *	3/2013	Mayfield et al.	D26/74
2011/0286214 A1 *	11/2011	Quinlan et al.	362/235

\* cited by examiner

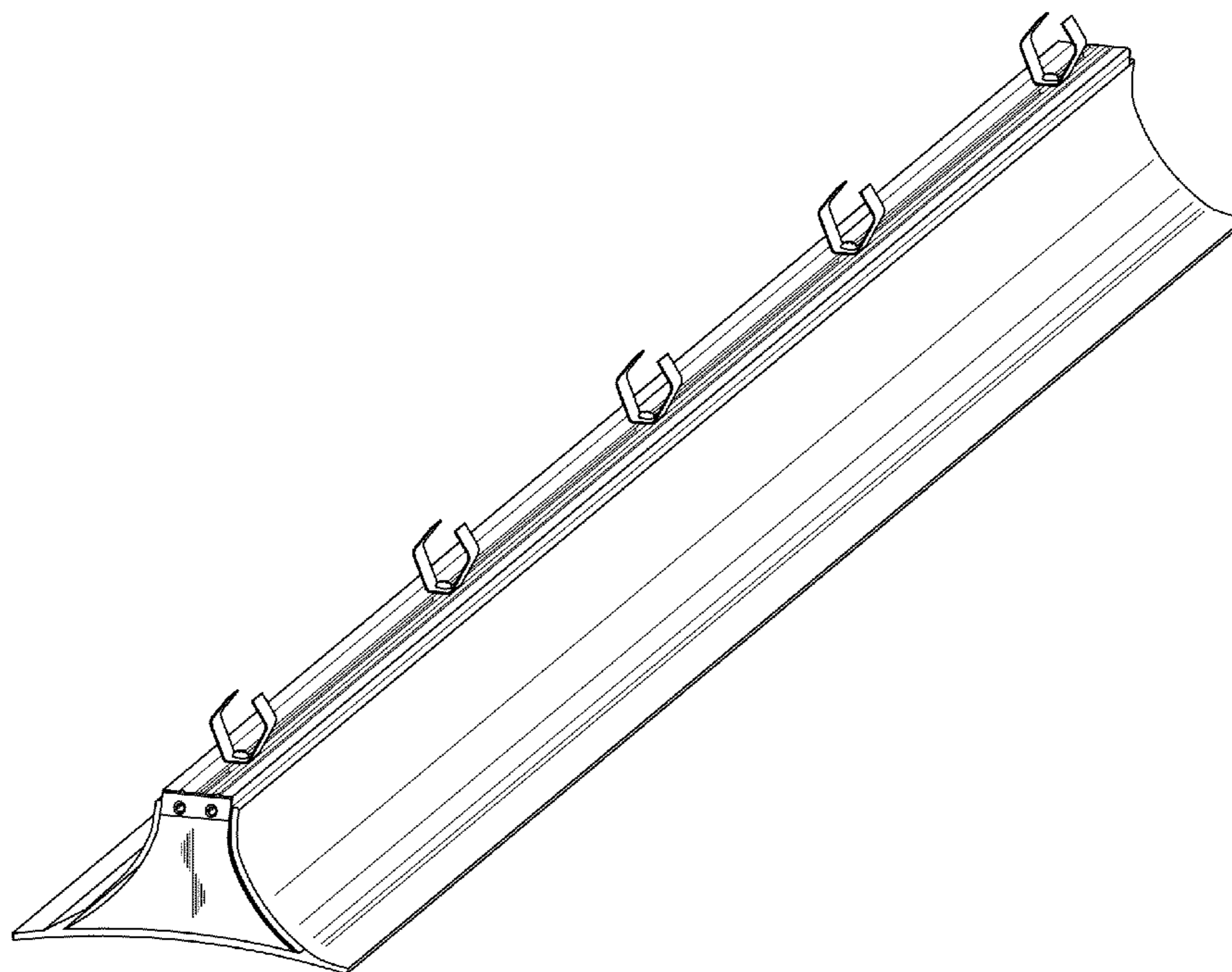
*Primary Examiner* — Kevin Rudzinski  
(74) *Attorney, Agent, or Firm* — GTC Law Group LLP & Affiliates

(57) **CLAIM**  
The ornamental design for a diffusing lighting fixture, as shown.

**DESCRIPTION**

FIG. 1 is a front perspective view of the diffusing light fixture showing our new design;  
FIG. 2 is a side view thereof; and,  
FIG. 3 is a front view thereof.

**1 Claim, 3 Drawing Sheets**



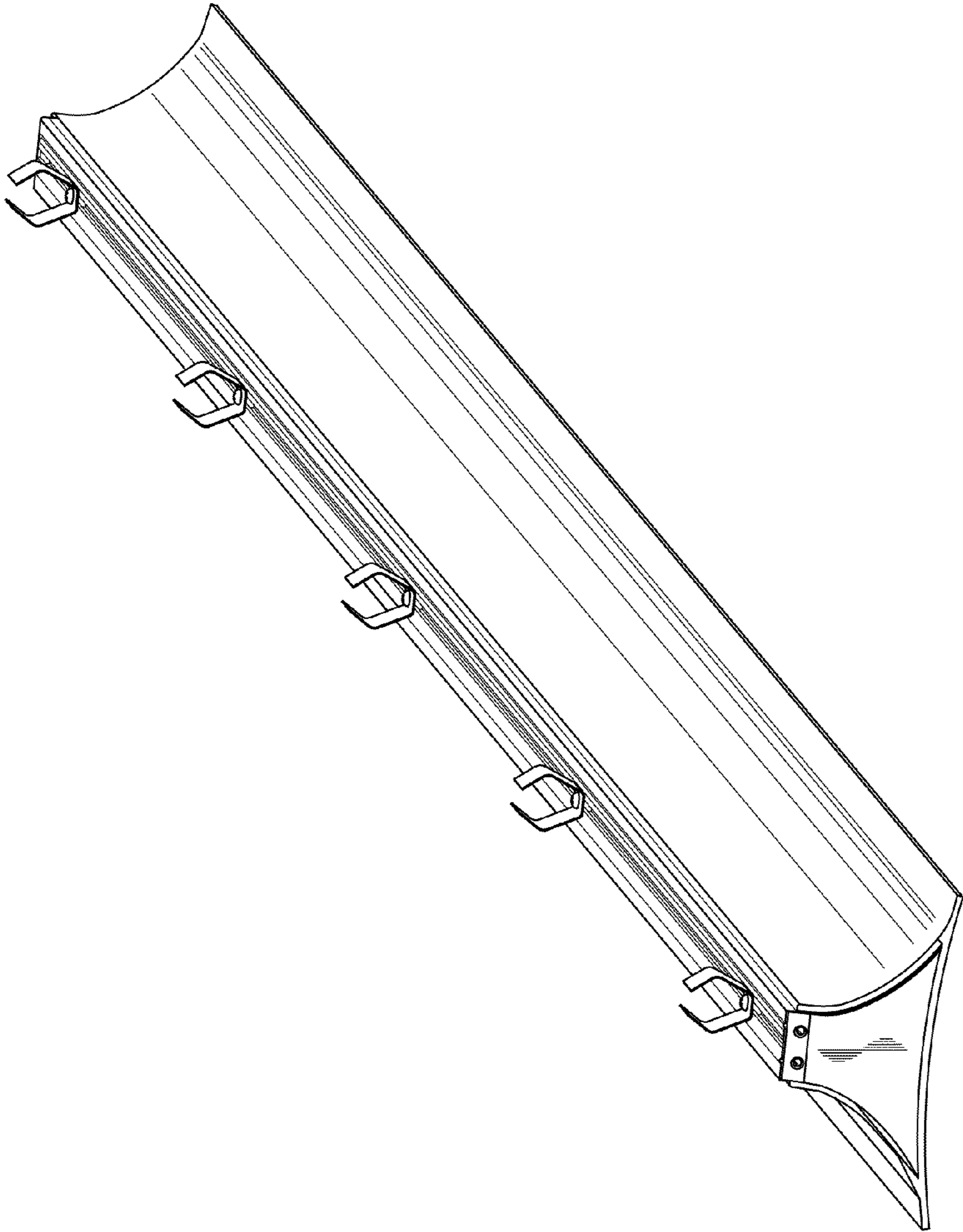


FIG. 1

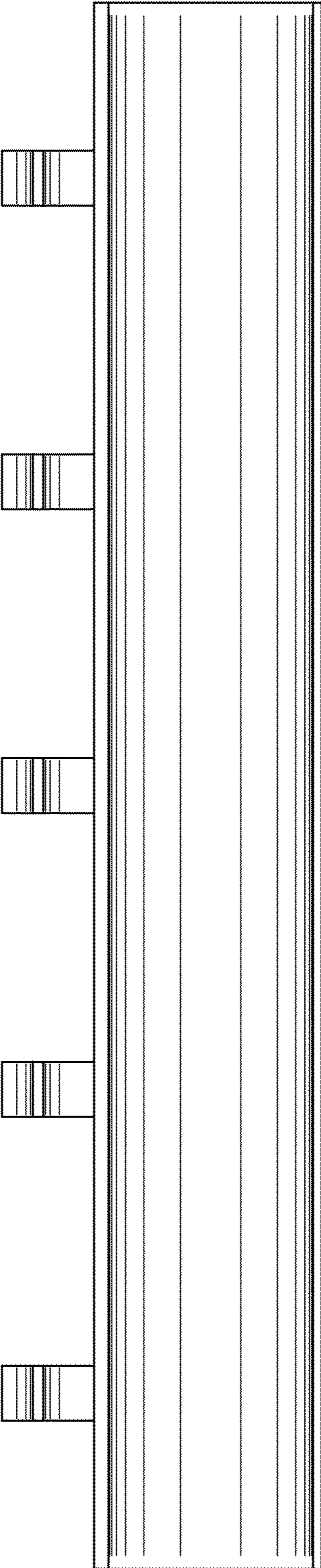
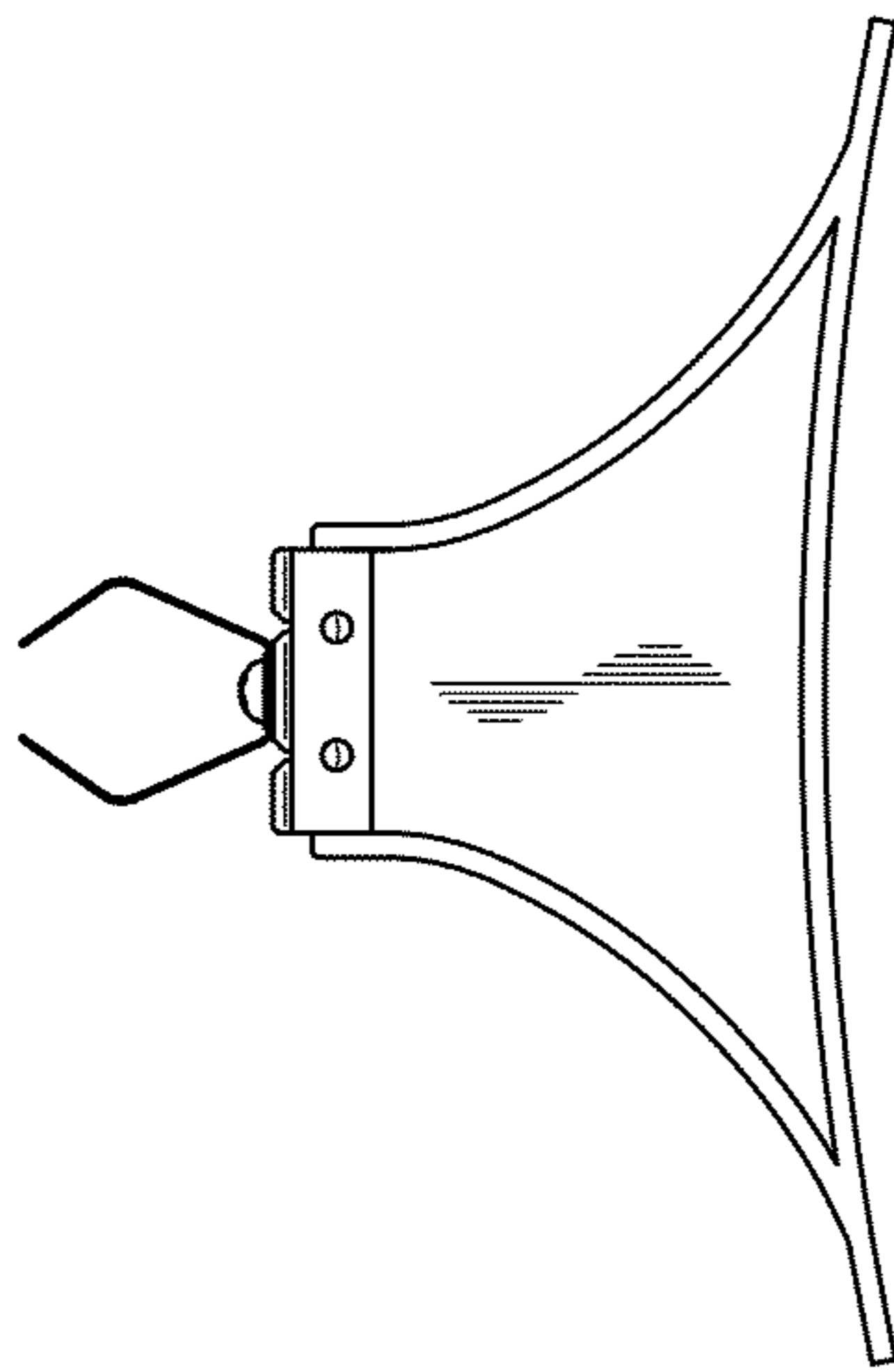


FIG. 2



*FIG. 3*