



US00D704372S

(12) **United States Design Patent**
Speier et al.

(10) **Patent No.:** **US D704,372 S**

(45) **Date of Patent:** **** May 6, 2014**

(54) **LUMINAIRE**

D496,121 S 9/2004 Santoro
D545,991 S * 7/2007 Mayfield et al. D26/118
7,284,883 B2 10/2007 Clark et al.

(71) Applicant: **Quarkstar LLC**, Las Vegas, NV (US)

(Continued)

(72) Inventors: **Ingo Speier**, Saanichton (CA); **Andrew Tien-Man Ng**, Vancouver (CA)

FOREIGN PATENT DOCUMENTS

(73) Assignee: **Quarkstar LLC**, Las Vegas, NV (US)

WO WO2013023008 A1 2/2013

(**) Term: **14 Years**

OTHER PUBLICATIONS

(21) Appl. No.: **29/452,841**

Notice of Allowance and Fees Due, U.S. Appl. No. 29/452,843, mailed Oct. 8, 2013, 14 pages.

(22) Filed: **Apr. 22, 2013**

Primary Examiner — Clare E Heflin

(51) **LOC (10) Cl.** **26-03**

(74) *Attorney, Agent, or Firm* — Fish & Richardson P.C.

(52) **U.S. Cl.**
USPC **D26/76; D26/122**

(57) **CLAIM**

The ornamental design for a luminaire, substantially as shown and described.

(58) **Field of Classification Search**
USPC D26/72, 75–78, 118, 120, 122;
362/147, 217.01–217.12, 218,
362/221–225, 345

DESCRIPTION

See application file for complete search history.

FIG. 1 is a front perspective view of our luminaire.
FIG. 2 is a front side view of the luminaire.
FIG. 3 is a back side view of the luminaire.
FIG. 4 is a right end view of the luminaire.
FIG. 5 is a left end view of the luminaire.
FIG. 6 is a top view of the luminaire.
FIG. 7 is a bottom view of the luminaire.
FIG. 8 illustrates the profile of the lower surfaces of the luminaire of FIG. 1, as taken in any vertical plane perpendicular to the length of the luminaire; and,
FIG. 9 is an enlarged perspective view of one end of the luminaire.

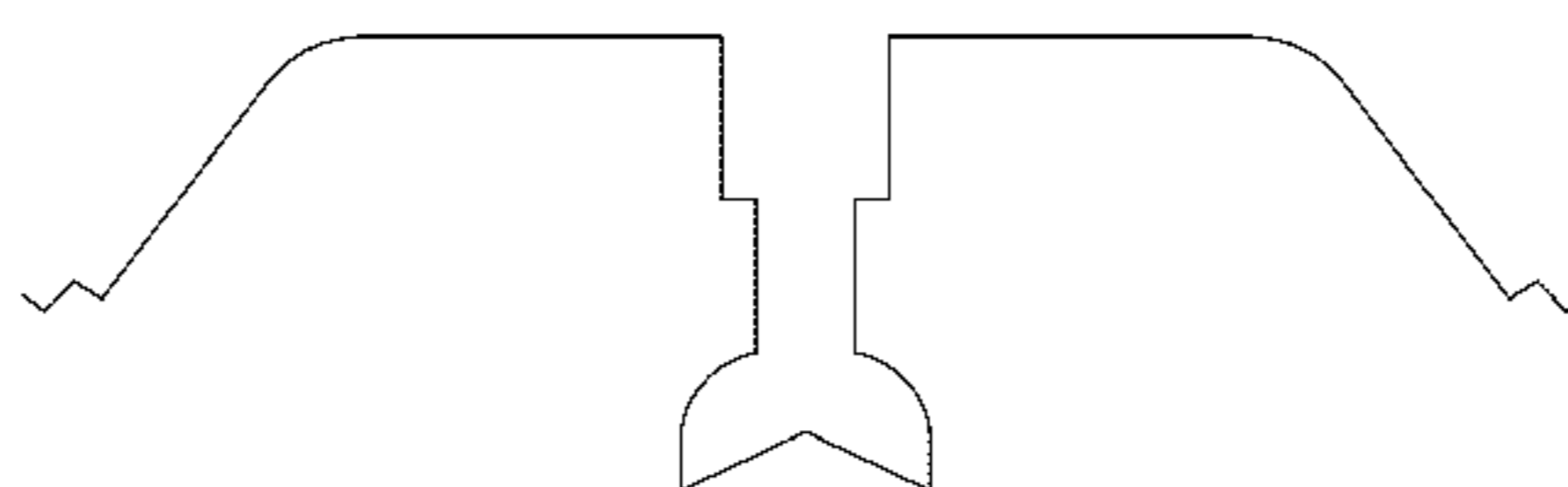
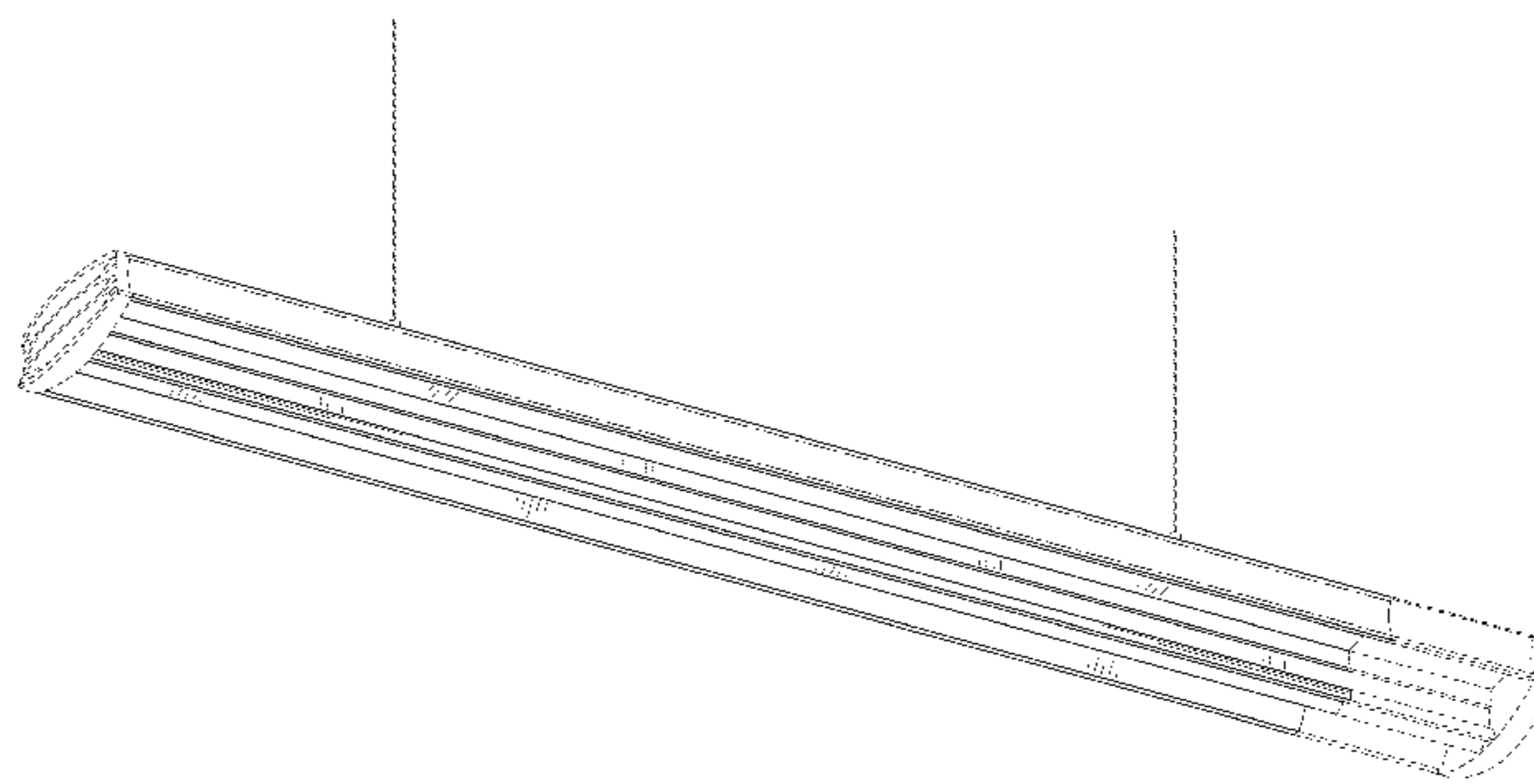
(56) **References Cited**

U.S. PATENT DOCUMENTS

1,900,551 A 3/1933 Guth
D133,216 S * 7/1942 Parlato D26/78
D155,283 S * 9/1949 Gangbin D26/76
2,899,541 A 8/1959 De Mauro
3,753,027 A * 8/1973 Kolkman 362/217.14
4,277,166 A 7/1981 van Boven et al.
4,562,517 A 12/1985 Pankin
D284,110 S 6/1986 Mullins
D314,637 S 2/1991 Holcomb
D321,407 S * 11/1991 Heidmann D26/72
5,134,553 A 7/1992 Hasegawa
5,412,551 A 5/1995 Newell
D426,338 S 6/2000 Herst et al.
6,523,975 B1 2/2003 Plourde et al.
6,655,819 B2 12/2003 Loga et al.
6,746,325 B2 6/2004 Crane

The broken (dash) lines illustrate environmental features that form no part of the claimed design, such as cables from which the luminaire might be hung from a ceiling, or end caps that might be used with the luminaire design. The broken (dot-dash) lines indicate boundaries of the claimed design. For example, a broken (dot-dash) transverse line beyond which all lines are dashed indicates that the design may be employed in products of different lengths.

1 Claim, 5 Drawing Sheets



(56)

References Cited

U.S. PATENT DOCUMENTS

D580,087 S	11/2008	Couture et al.			
7,520,636 B2 *	4/2009	Van Der Poel	362/342		
D595,894 S	7/2009	Verfuerrth et al.			
D602,625 S *	10/2009	Santoro	D26/76		
D608,490 S *	1/2010	Chung et al.	D26/118		
D608,929 S *	1/2010	Castelli	D26/76		
D608,932 S	1/2010	Castelli			
D609,854 S *	2/2010	Lown et al.	D26/120		
D610,735 S	2/2010	Chien			
D611,183 S	3/2010	Duarte			
D617,487 S *	6/2010	Fowler et al.	D26/76		
D644,374 S	8/2011	Ferrier			
8,002,446 B1	8/2011	Plunk et al.			
8,061,867 B2 *	11/2011	Kim et al.	362/217.17		
8,075,147 B2 *	12/2011	Chaves et al.	362/84		
D653,376 S *	1/2012	Kong et al.	D26/76		
D665,119 S	8/2012	Bryant			
D667,156 S	9/2012	Pickard et al.			
D670,849 S	11/2012	Lay et al.			
D671,253 S	11/2012	Kim et al.			
D671,258 S	11/2012	Ferrier et al.			
D678,597 S	3/2013	Lehman et al.			
D683,492 S *	5/2013	McCane	D26/118		
8,449,138 B2 *	5/2013	Kim et al.	362/217.13		
D685,122 S	6/2013	Kim et al.			
8,523,383 B1	9/2013	Grigore et al.			
8,573,823 B2 *	11/2013	Dau et al.	362/222		
8,585,248 B1 *	11/2013	Isaacson	362/345		
D695,447 S *	12/2013	Speier et al.	D26/118		
2007/0139918 A1	6/2007	Laukhuf			
2007/0211457 A1	9/2007	Mayfield et al.			
2009/0231878 A1 *	9/2009	Van Duijneveldt	362/555		
2011/0043132 A1 *	2/2011	Kim et al.	362/296.01		
2011/0199005 A1	8/2011	Bretschneider			
2011/0267836 A1 *	11/2011	Boonekamp et al.	362/555		
2013/0039050 A1	2/2013	Dau et al.			
2013/0208495 A1	8/2013	Dau et al.			
2013/0272015 A1	10/2013	Weaver			

* cited by examiner

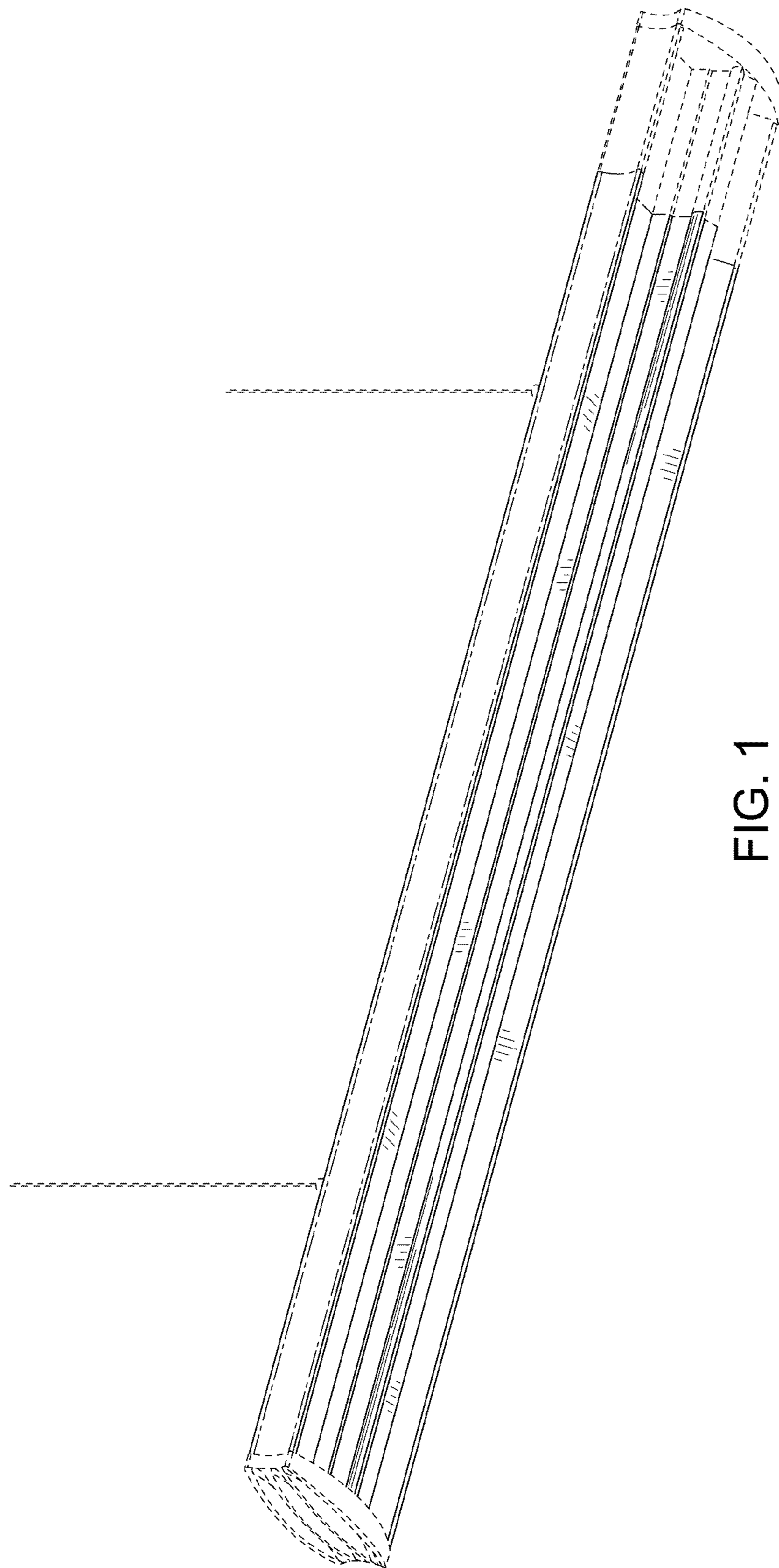


FIG. 1

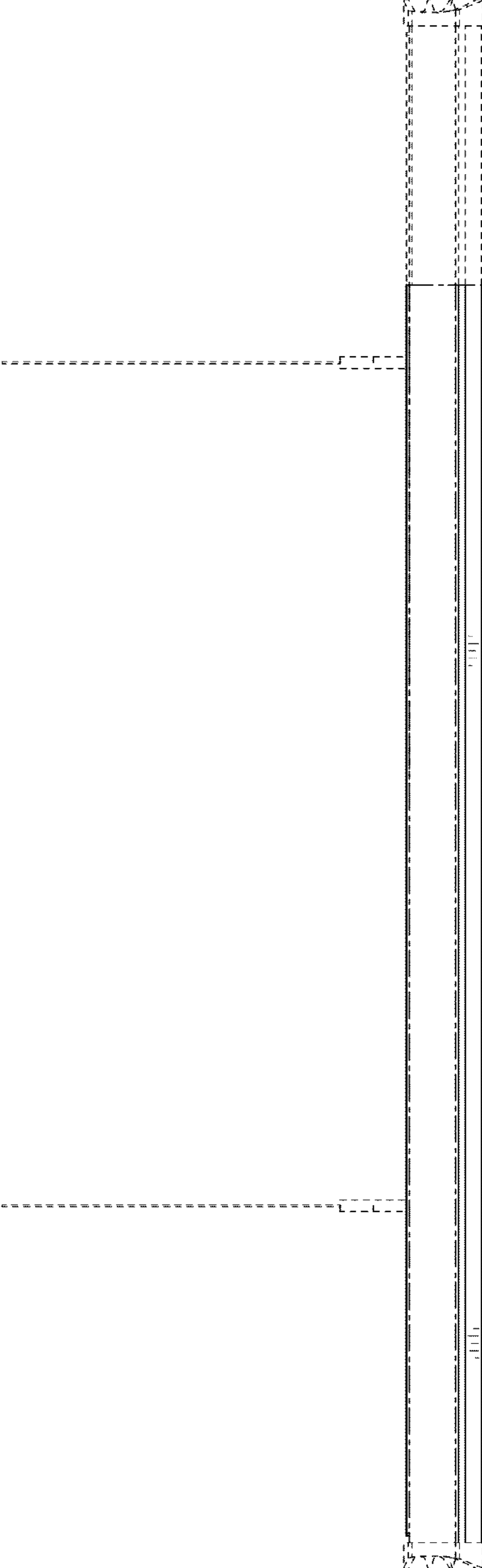


FIG. 2

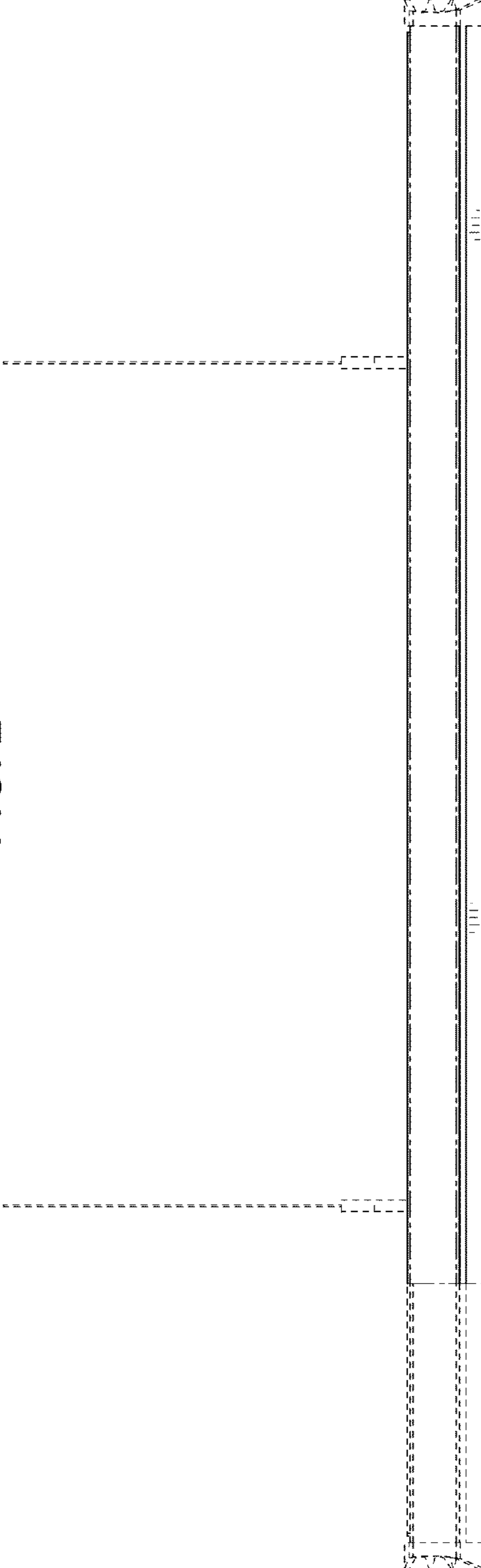


FIG. 3

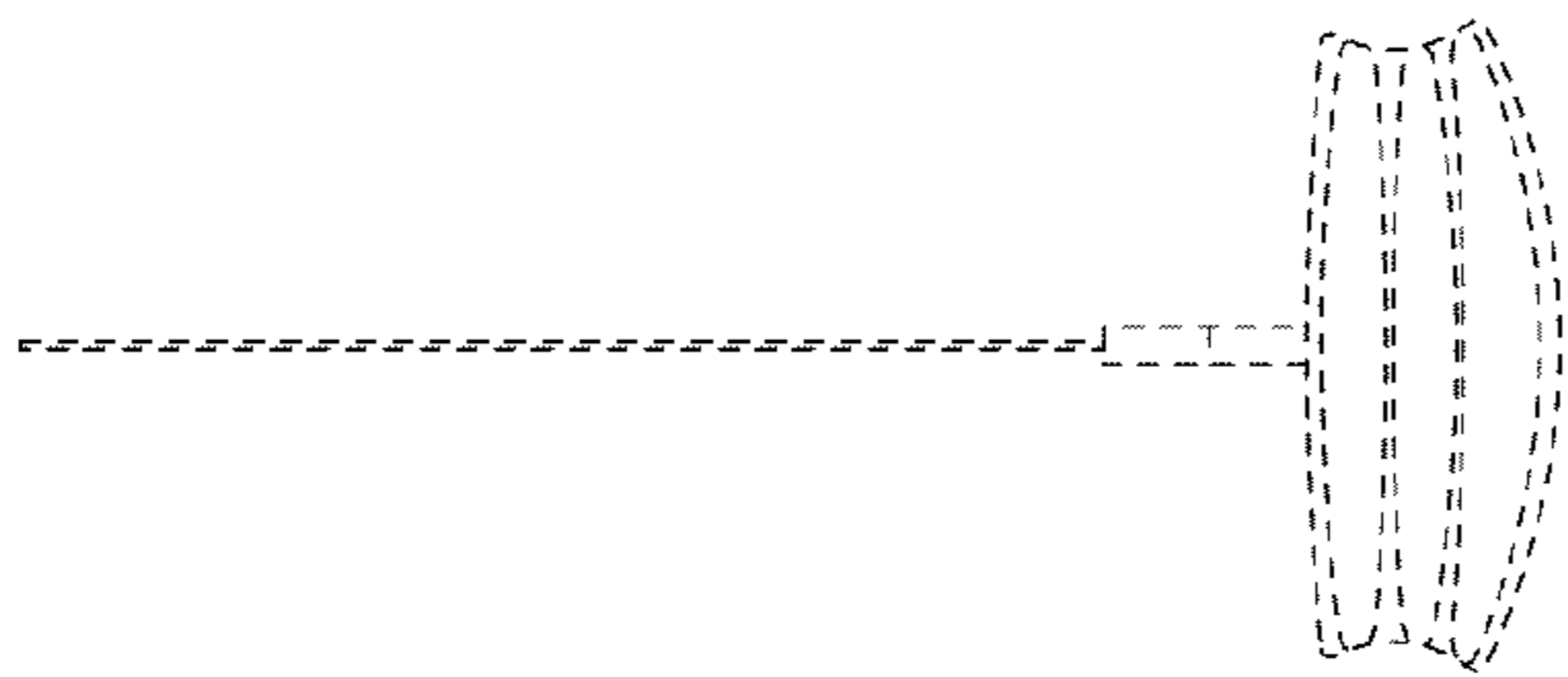


FIG. 4

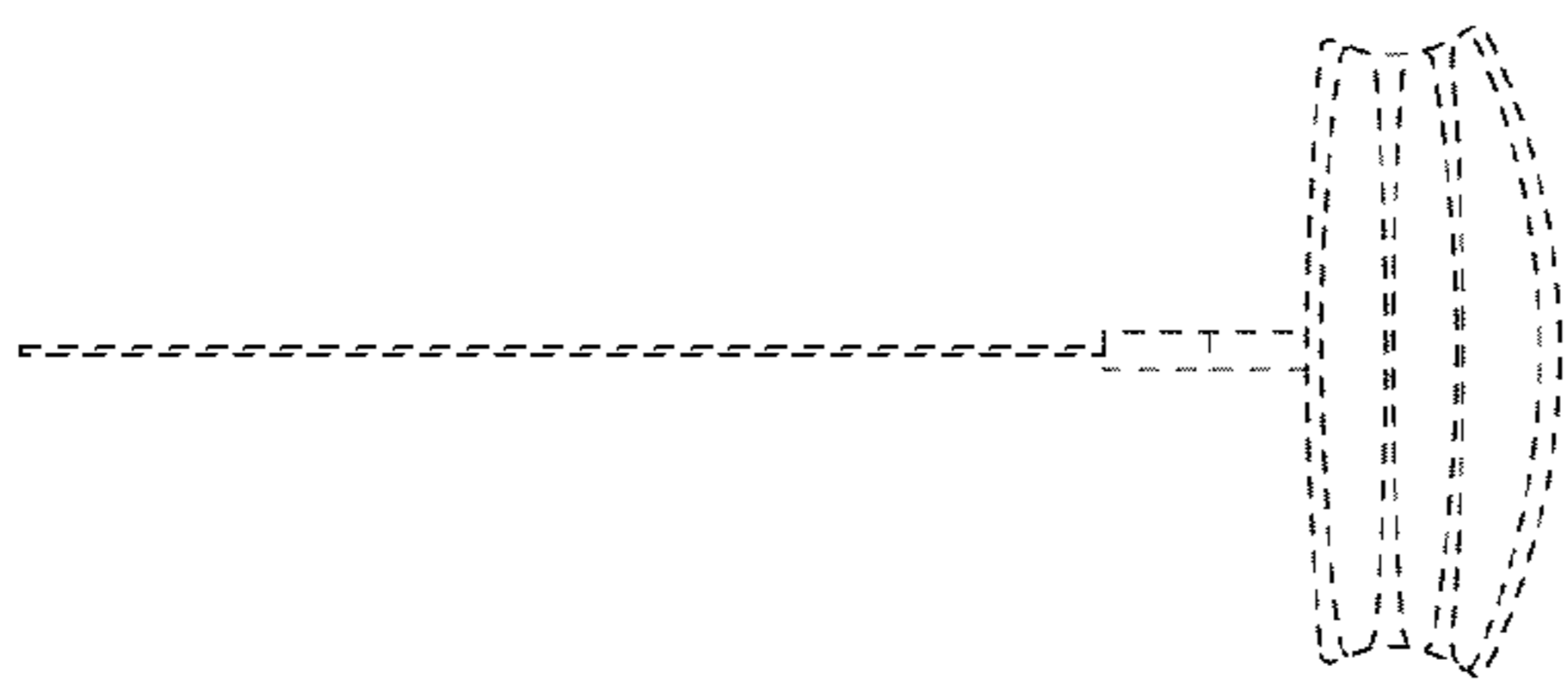


FIG. 5

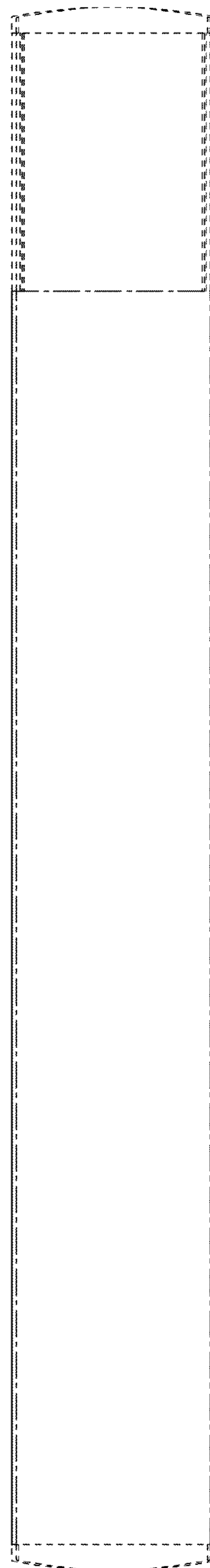


FIG. 6

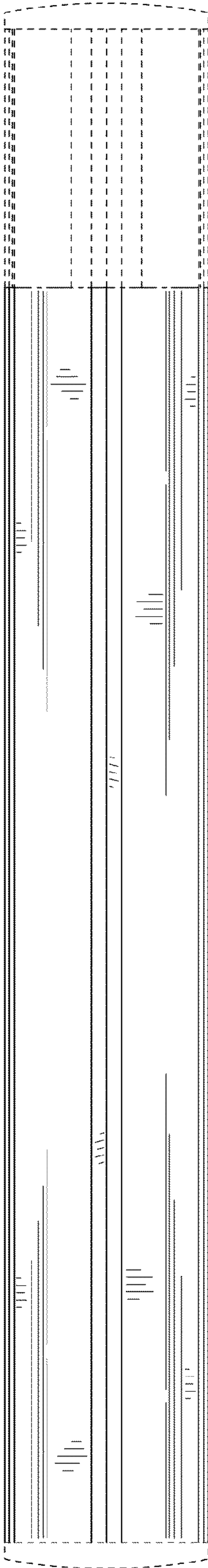


FIG. 7

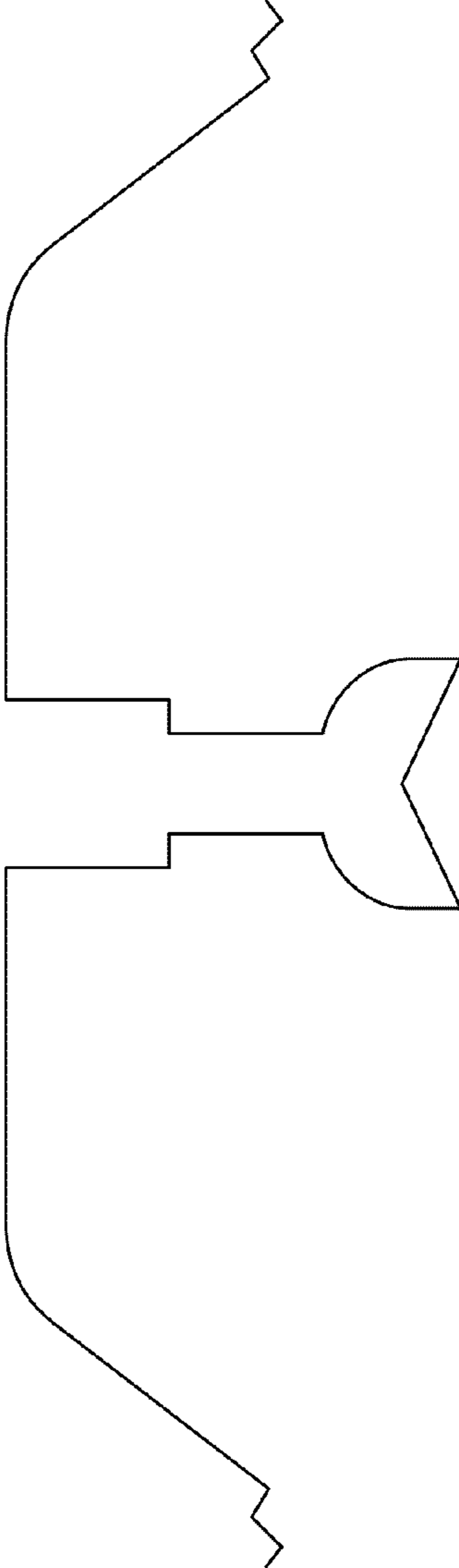


FIG. 8

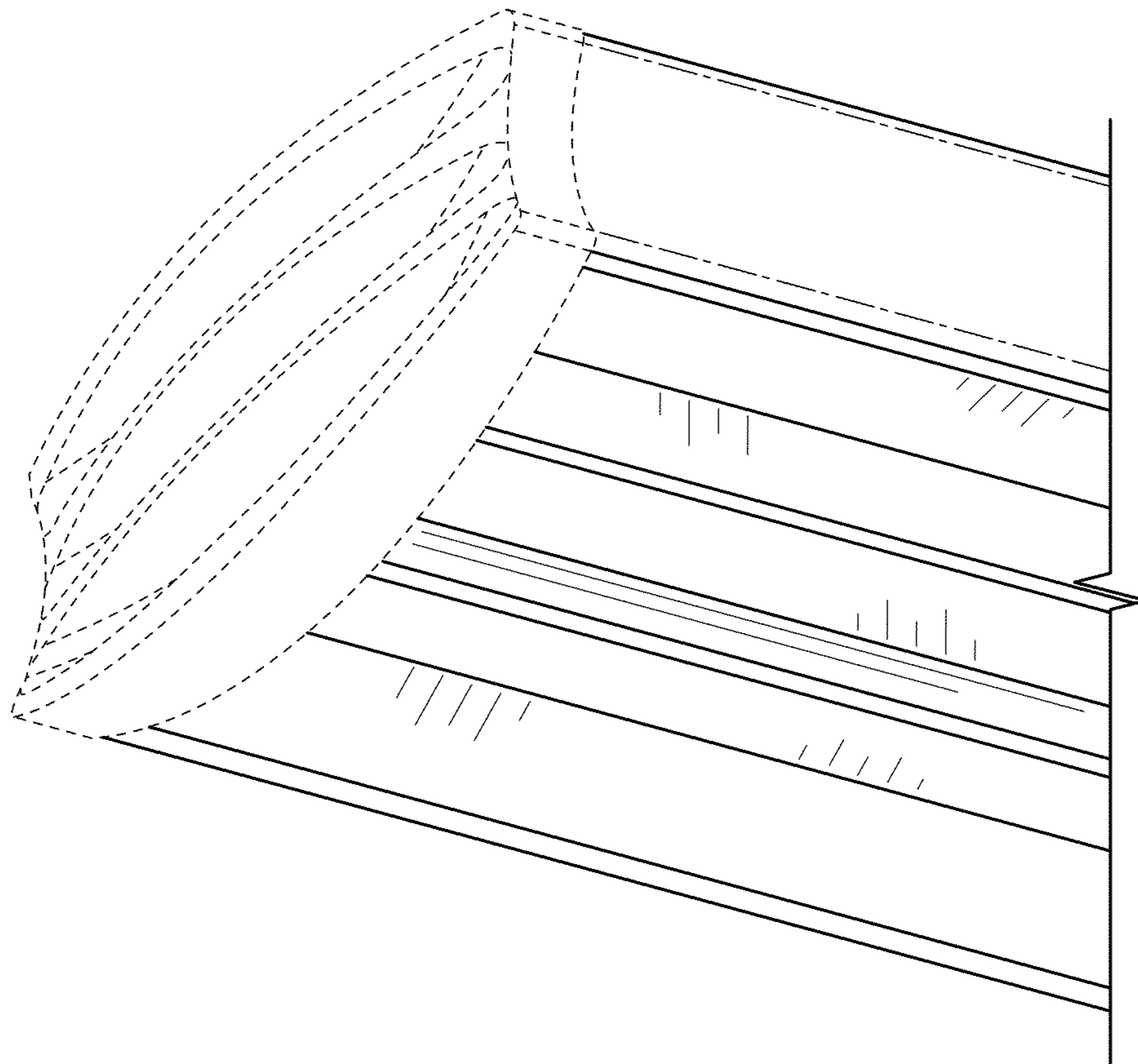


FIG. 9