



US00D704371S

(12) **United States Design Patent**
Van De Ven et al.

(10) **Patent No.:** **US D704,371 S**

(45) **Date of Patent:** **** May 6, 2014**

(54) **LIGHTING DEVICE**

(71) Applicant: **Cree, Inc.**, Durham, NC (US)

(72) Inventors: **Antony Paul Van De Ven**, Hong Kong (CN); **Wai Kwan Chan**, Hong Kong (CN); **James Michael Lay**, Apex, NC (US); **Nick Hoang Nguyen**, Durham, NC (US); **Nathan R. Snell**, Raleigh, NC (US); **Shawn Heeter**, Cary, NC (US)

(73) Assignee: **Cree, Inc.**, Durham, NC (US)

(**) Term: **14 Years**

(21) Appl. No.: **29/435,687**

(22) Filed: **Oct. 26, 2012**

(51) **LOC (10) Cl.** **26-05**

(52) **U.S. Cl.**
USPC **D26/74**

(58) **Field of Classification Search**
USPC D26/74, 113, 118, 119, 120, 122, 138, D26/141, 24, 58, 59, 67, 72, 75, 76, 77, 78, D26/79, 80, 81, 82, 83, 84, 85, 86, 88, 89, D26/90, 91, 93, 105; 362/364, 365, 366, 362/145, 146, 147, 148, 150, 151, 152, 153, 362/153.1, 217.06, 217.07, 219, 294, 362/296.01, 311.07, 311.09
See application file for complete search history.

(56) **References Cited**

U.S. PATENT DOCUMENTS

D546,999 S * 7/2007 Rashidi D26/118
D551,797 S * 9/2007 Rashidi D26/118

D562,490 S * 2/2008 Rashidi D26/74
D633,099 S * 2/2011 Van de Ven et al. D15/1
D636,921 S 4/2011 Van de Ven et al.
D638,160 S 5/2011 Van de Ven et al.
D678,585 S * 3/2013 Schmitt et al. D26/74
D679,043 S * 3/2013 Jeswani et al. D26/74
D681,863 S * 5/2013 Chen et al. D26/74
2011/0075422 A1 * 3/2011 Van De Ven 362/249.02
2013/0016509 A1 * 1/2013 Van de Ven 362/235
2013/0039070 A1 * 2/2013 Mathieu 362/294

* cited by examiner

Primary Examiner — Angela J Lee

(74) *Attorney, Agent, or Firm* — Burr & Brown, PLLC

(57) **CLAIM**

The ornamental design for a lighting device, as shown and described.

DESCRIPTION

FIG. 1 is a front view of a first embodiment of a lighting device in accordance with my new design;
FIG. 2 is a rear view thereof;
FIG. 3 is a left side view thereof;
FIG. 4 is a right side view thereof;
FIG. 5 is a top side view thereof;
FIG. 6 is a bottom view thereof; and,
FIG. 7 is a top perspective view thereof.
The broken lines are for illustrative purposes only and form no part of the claimed design or a specified embodiment thereof.

1 Claim, 7 Drawing Sheets

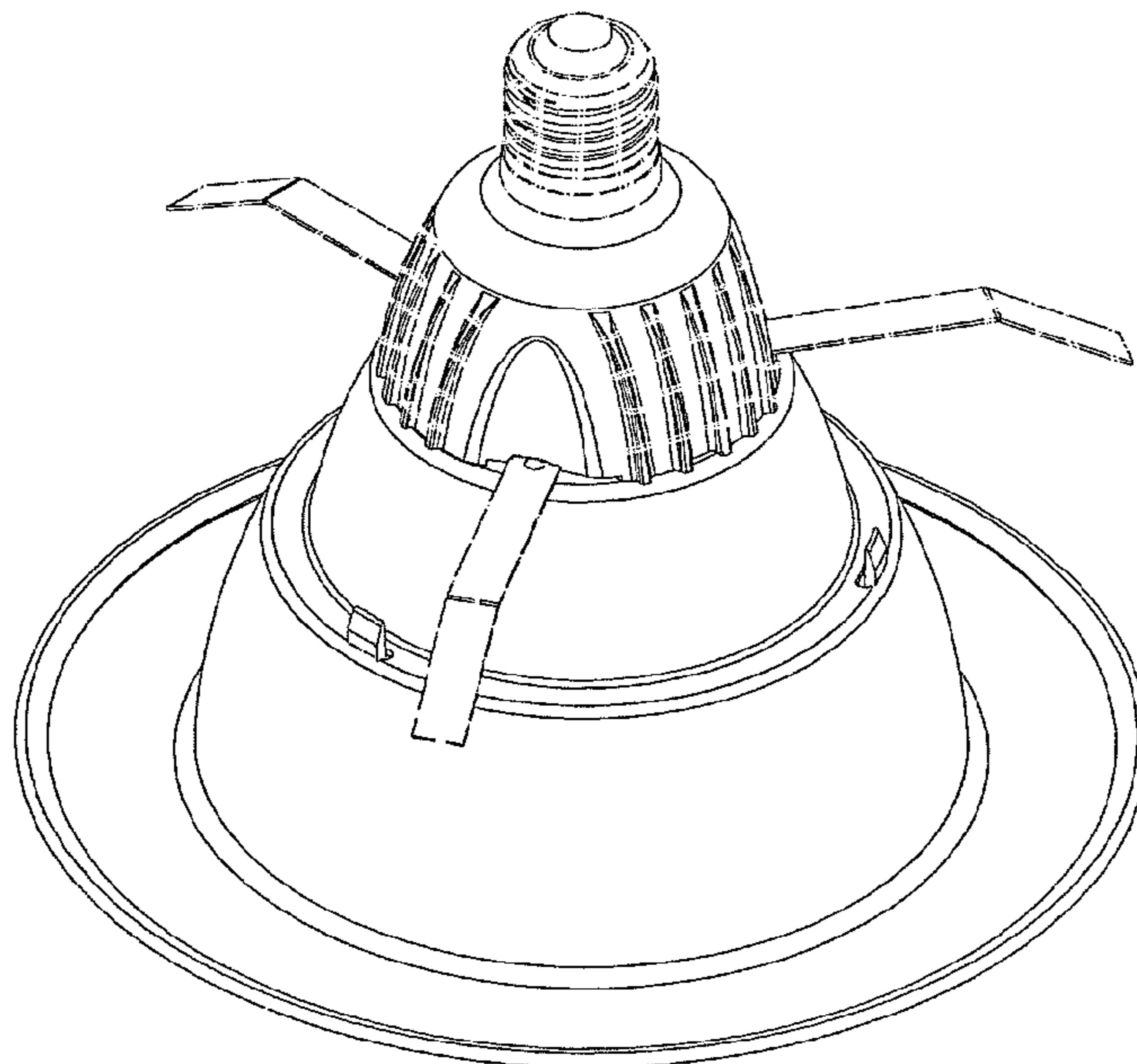


Fig. 1

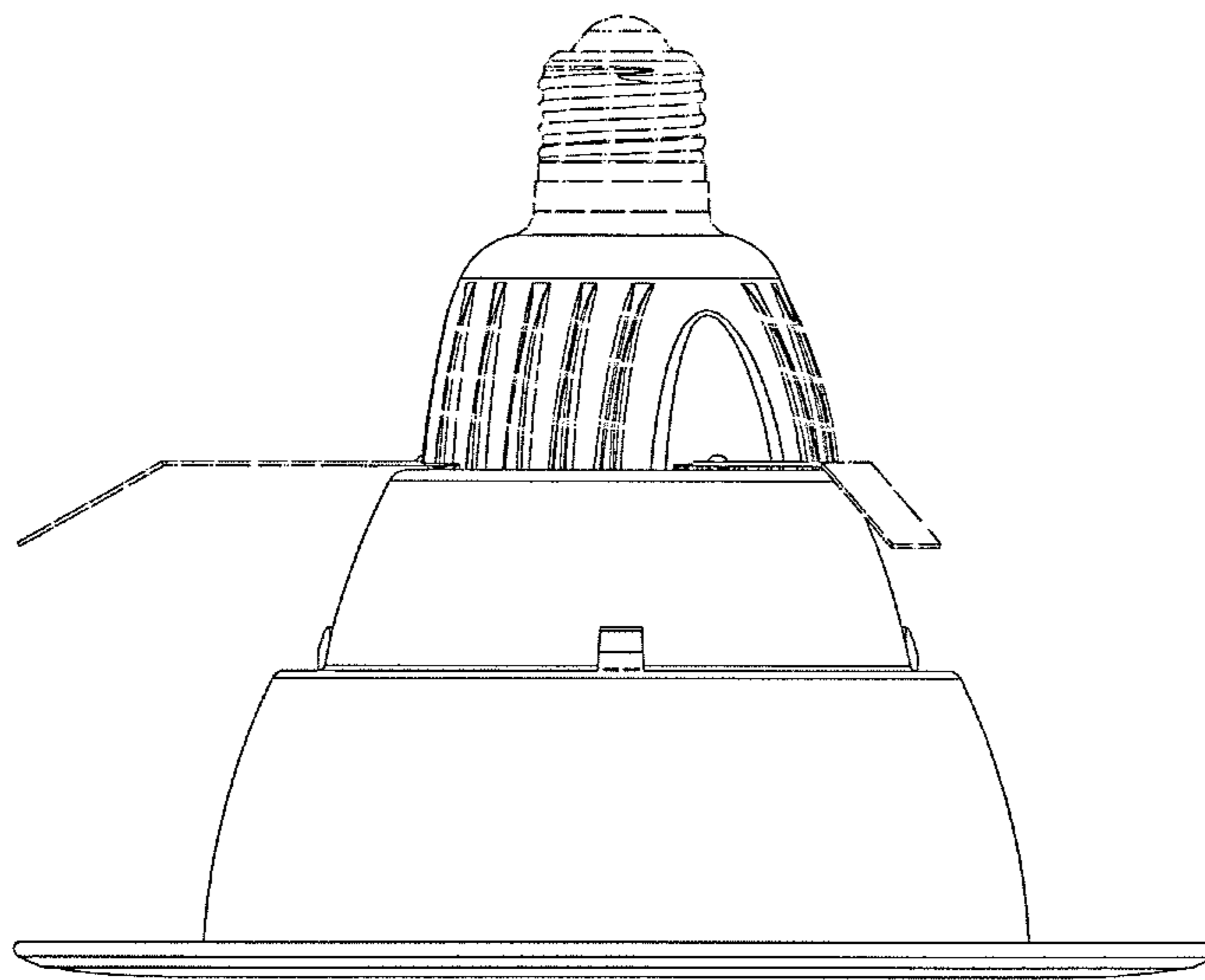


Fig. 2

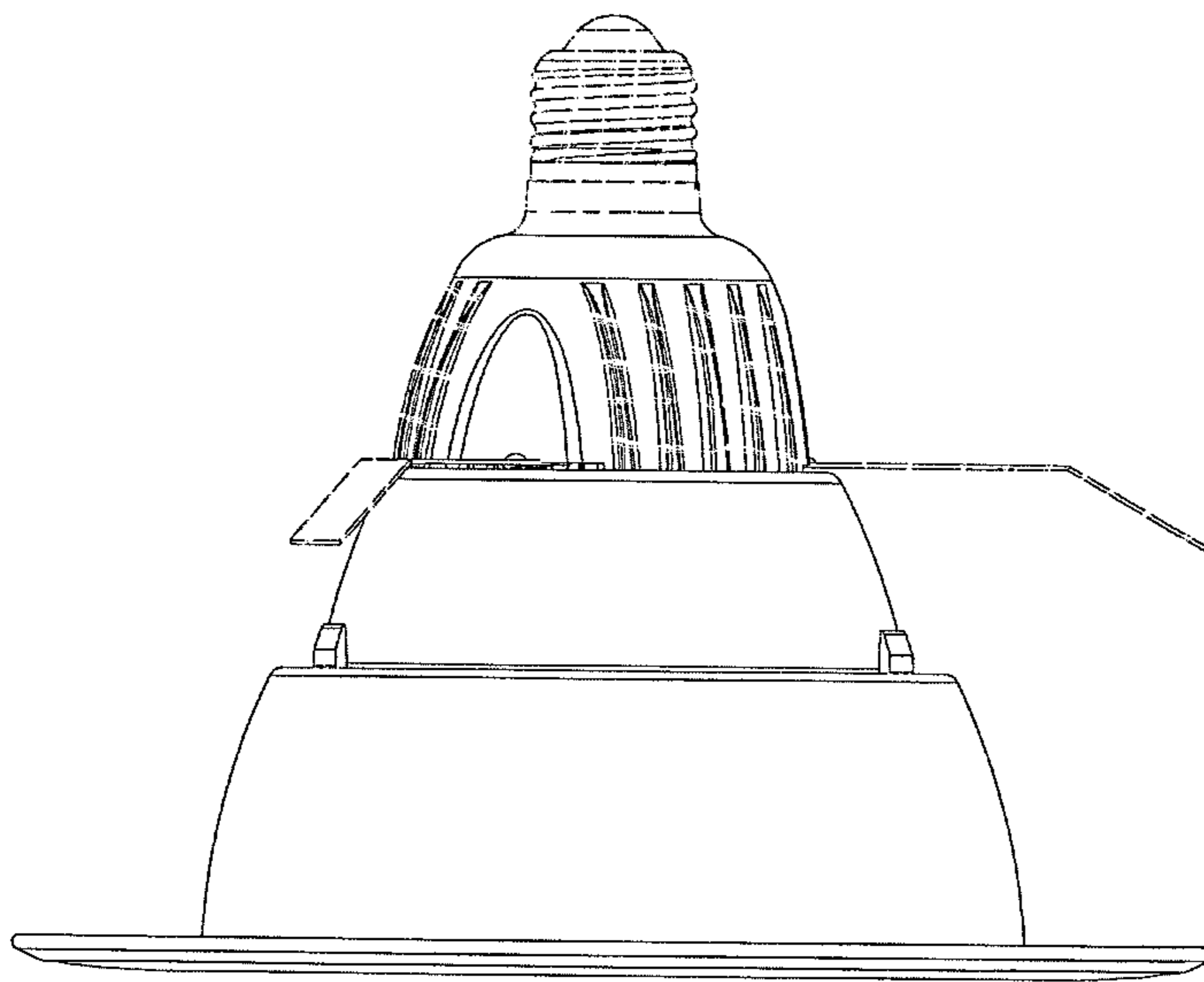


Fig. 3

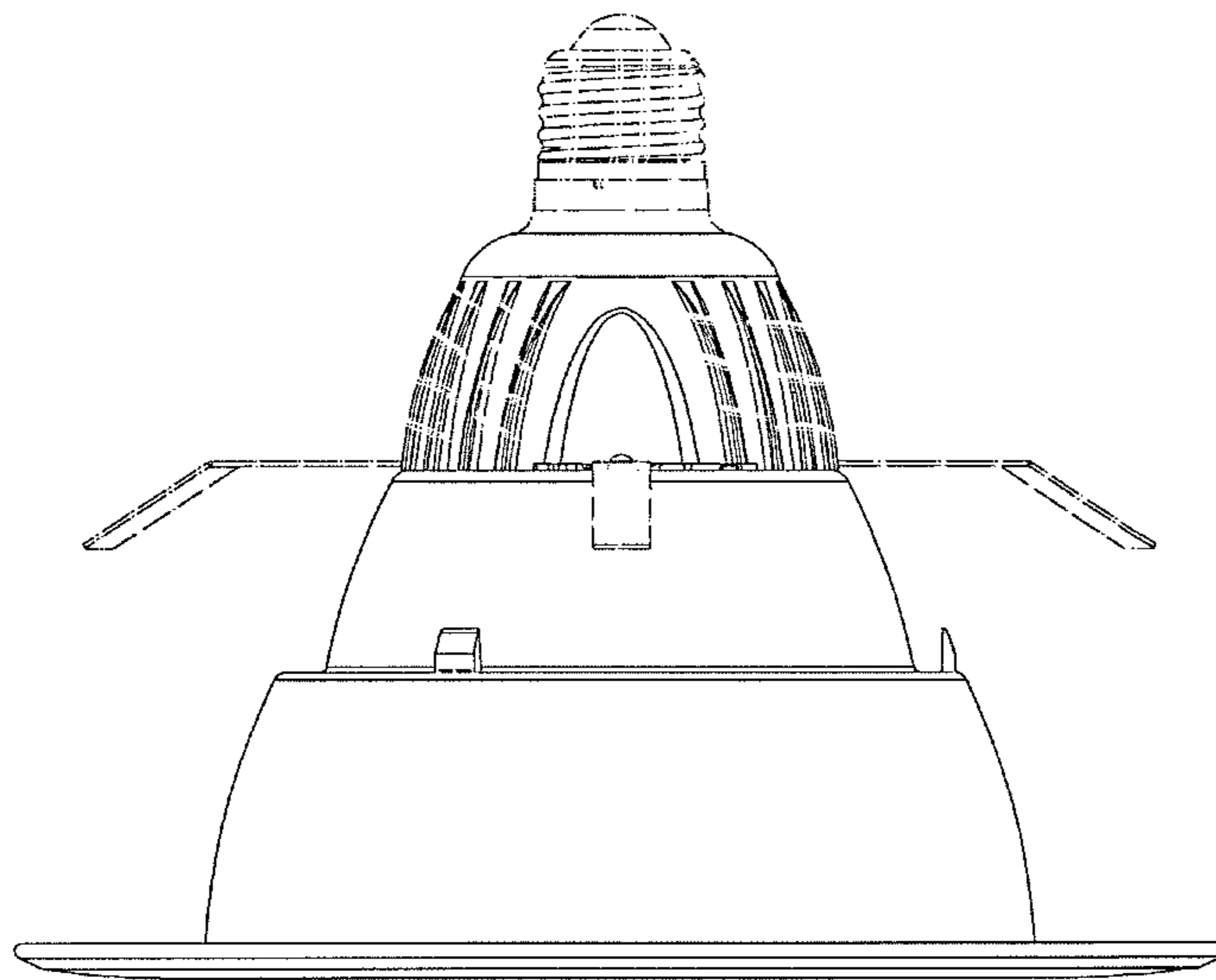


Fig. 4

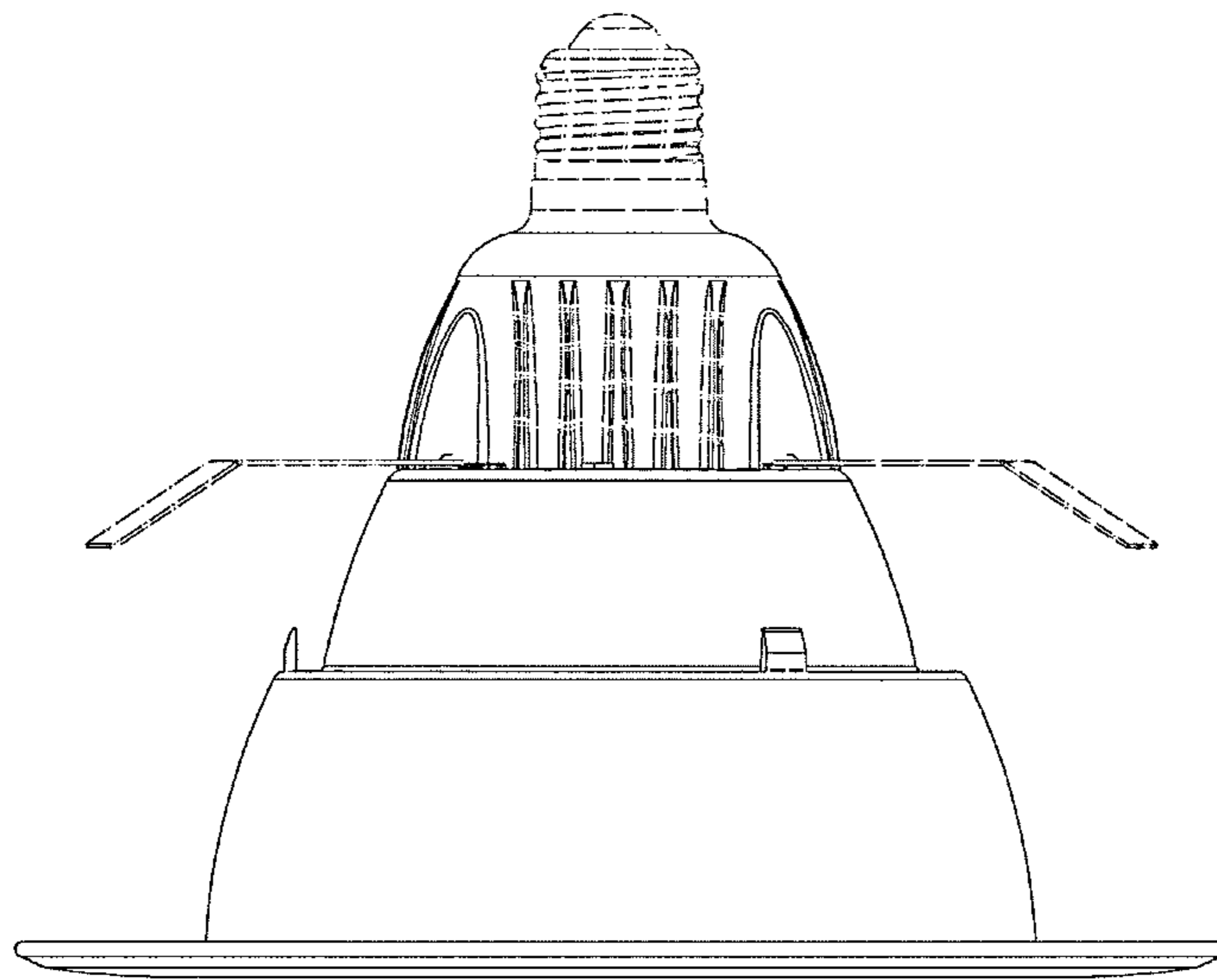


Fig. 5

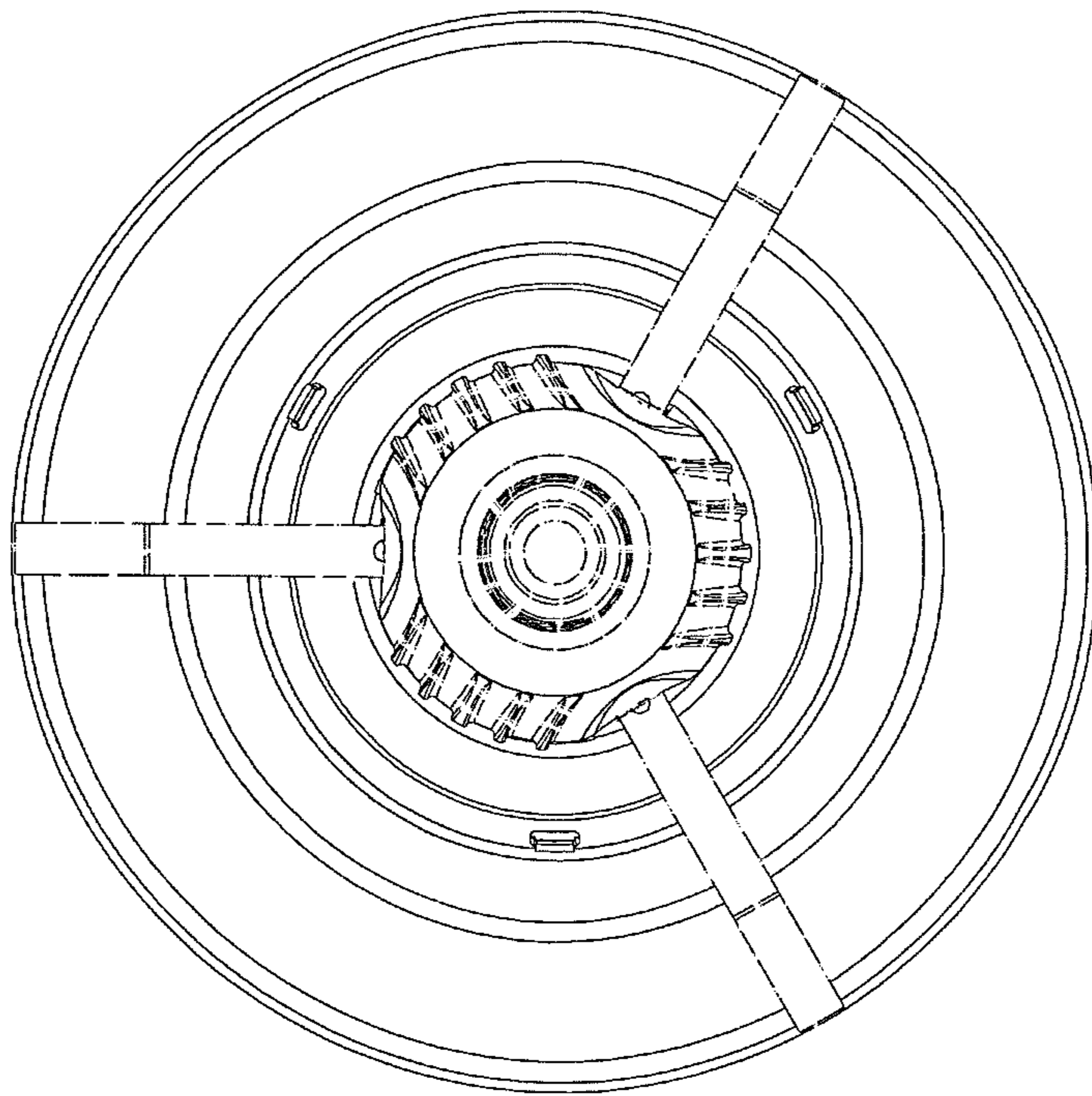


Fig. 6

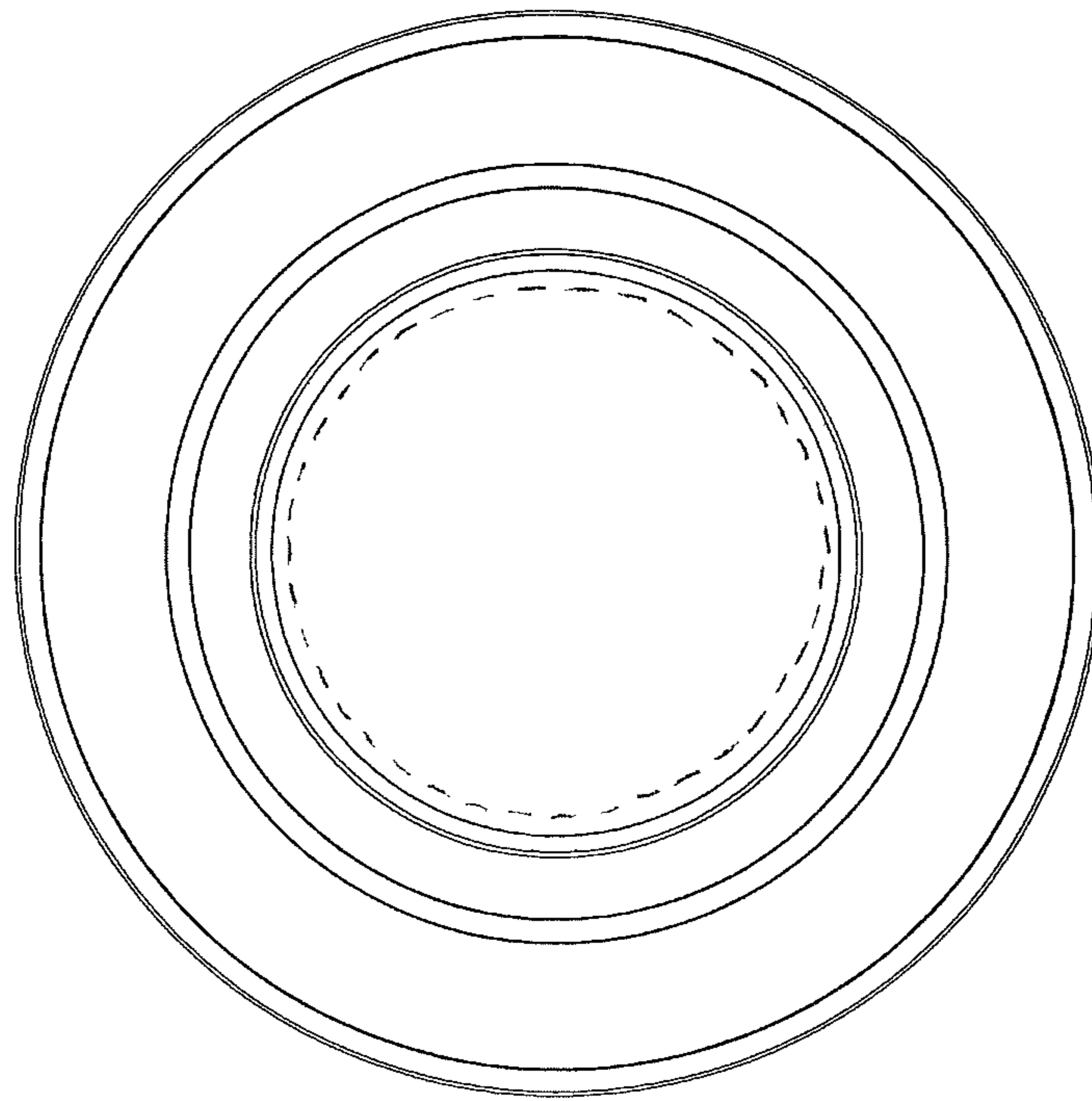


Fig. 7

