



US00D704367S

(12) **United States Design Patent**
Kingston et al.

(10) **Patent No.:** **US D704,367 S**

(45) **Date of Patent:** **** May 6, 2014**

(54) **LIGHTING DEVICE**

(75) Inventors: **Ronald J. Kingston**, Syracuse, NY (US); **Mark A. Ferguson**, Memphis, NY (US); **Matthew G. Law**, Sheffield Lake, OH (US); **Michael W. Sanders**, O'Fallon, MO (US)

(73) Assignee: **Eveready Battery Co., Inc.**, St. Louis, MO (US)

(**) Term: **14 Years**

(21) Appl. No.: **29/427,047**

(22) Filed: **Jul. 13, 2012**

(51) **LOC (10) Cl.** **26-02**

(52) **U.S. Cl.**
USPC **D26/43**

(58) **Field of Classification Search**
USPC D26/37, 38, 41-44, 51, 61, 63;
362/157, 158, 183, 184, 194-208
See application file for complete search history.

(56) **References Cited**

U.S. PATENT DOCUMENTS

5,154,483	A	*	10/1992	Zeller	362/198
D337,839	S	*	7/1993	Zeller	D26/43
5,369,556	A	*	11/1994	Zeller	431/344
D360,480	S	*	7/1995	Hon	D26/43
D362,313	S	*	9/1995	Zeller	D26/43
D380,567	S	*	7/1997	Hon	D26/38
D524,969	S	*	7/2006	Shiu	D26/43

D541,470	S	*	4/2007	Wu et al.	D27/147
D565,218	S	*	3/2008	Chien	D26/43
D592,930	S	*	5/2009	Cai	D8/87
7,563,094	B2	*	7/2009	Yang	431/153
D603,239	S	*	11/2009	Kunzendorf	D8/105

* cited by examiner

Primary Examiner — Ian Simmons

Assistant Examiner — Carissa C Fitts

(74) *Attorney, Agent, or Firm* — Russell H. Toye, Jr.

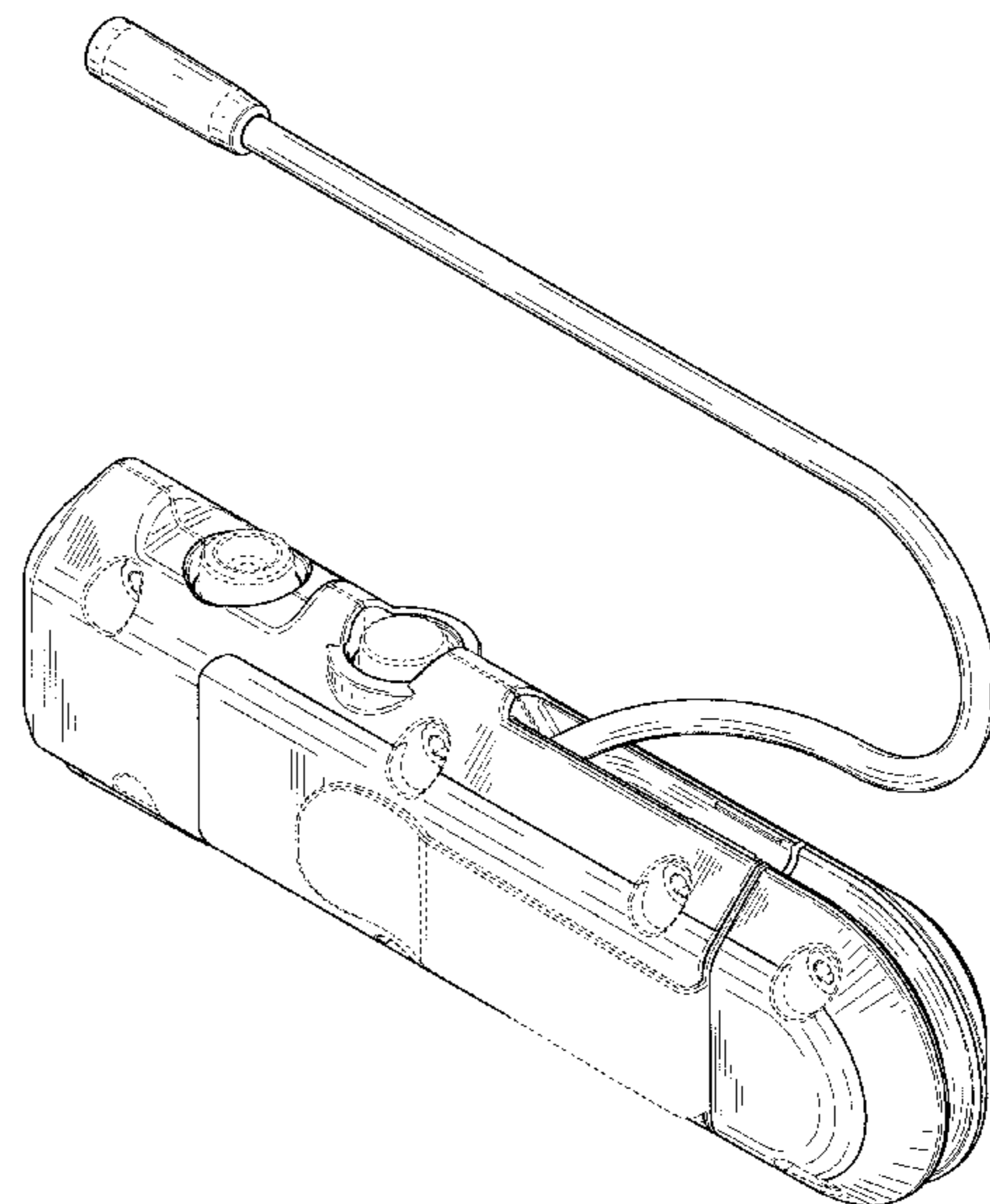
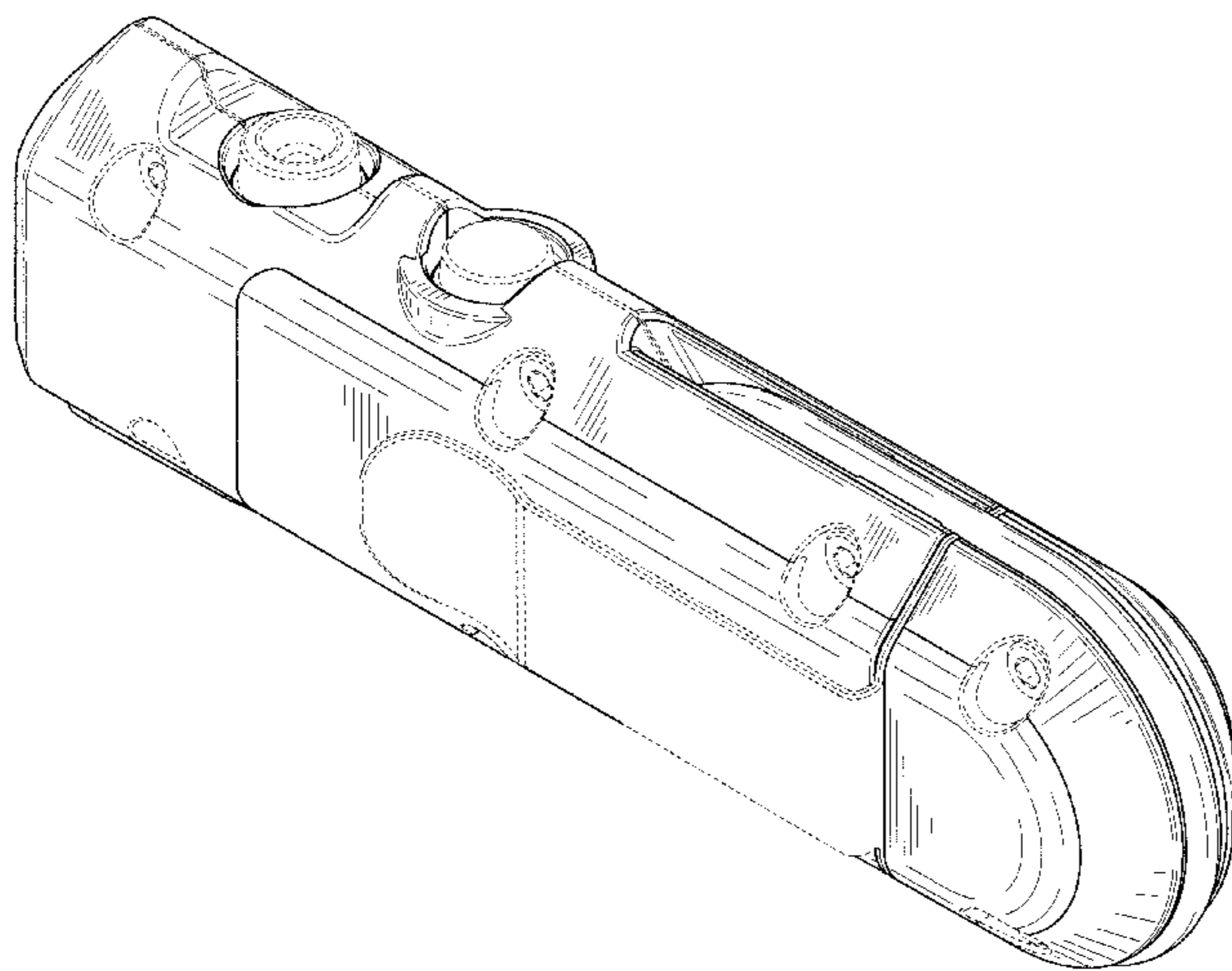
(57) **CLAIM**

We claim the ornamental design for a lighting device, as shown and described.

DESCRIPTION

FIG. 1 is a top perspective view of the design.
FIG. 2 is a bottom perspective view of the design.
FIG. 3 is a bottom view of the design.
FIG. 4 is a top view of the design.
FIG. 5 is a front view of the design.
FIG. 6 is a rear view of the design.
FIG. 7 is a left side view of the design.
FIG. 8 is a right side view of the design; and,
FIG. 9 is a top perspective view of the design with the light arm extended.
Any broken line(s) shown are for illustrative purposes only and form no part of the claimed design.

1 Claim, 6 Drawing Sheets



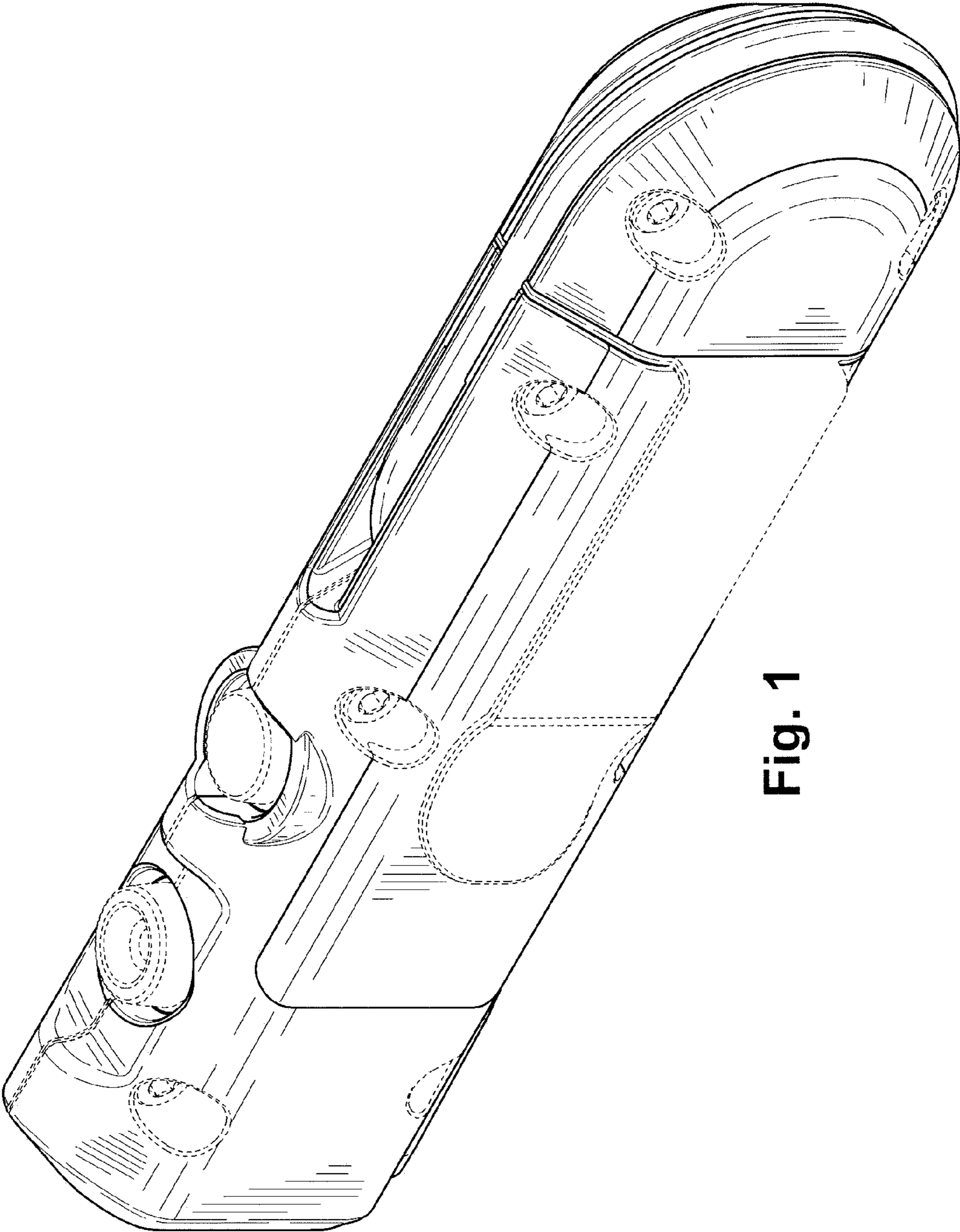


Fig. 1

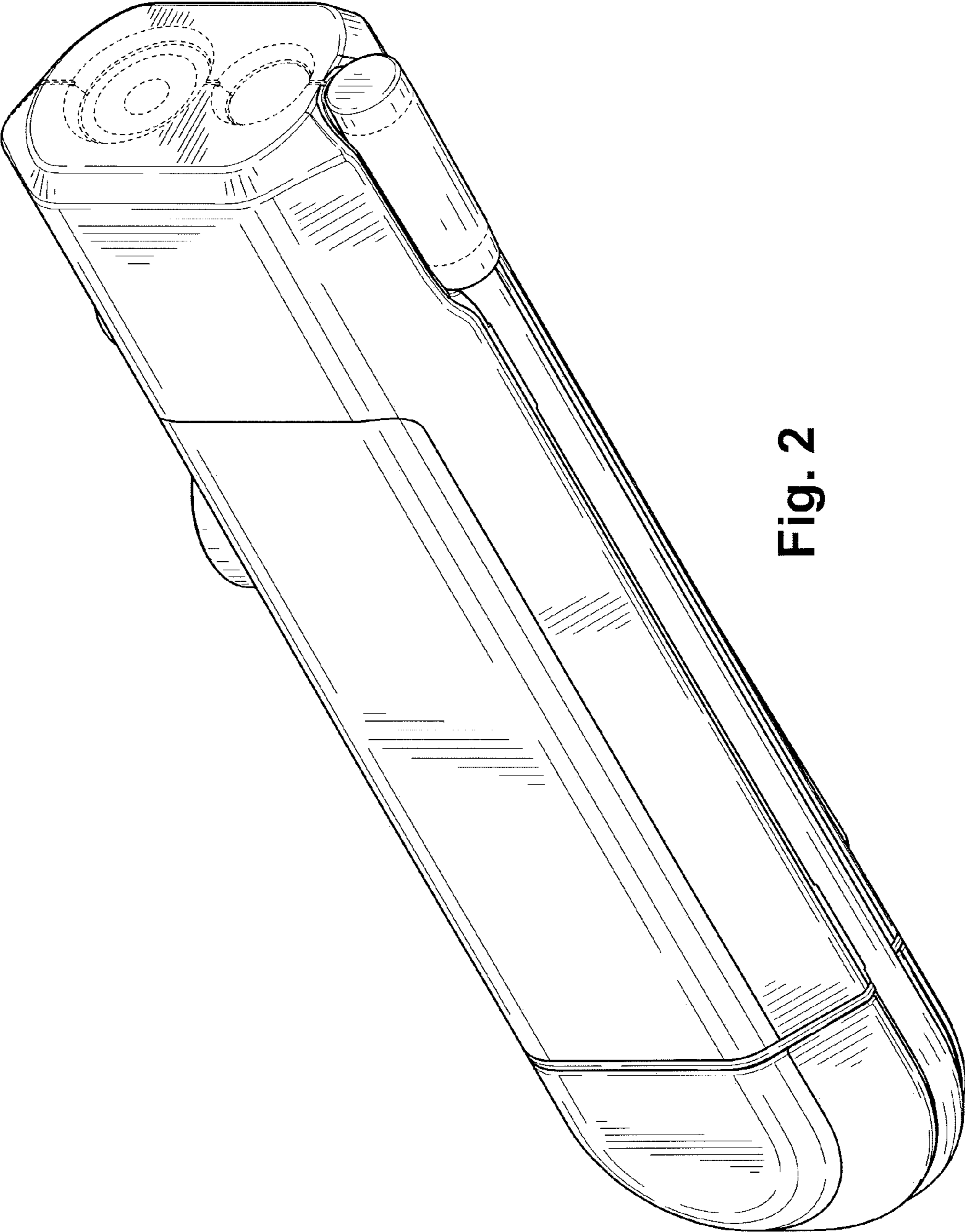


Fig. 2

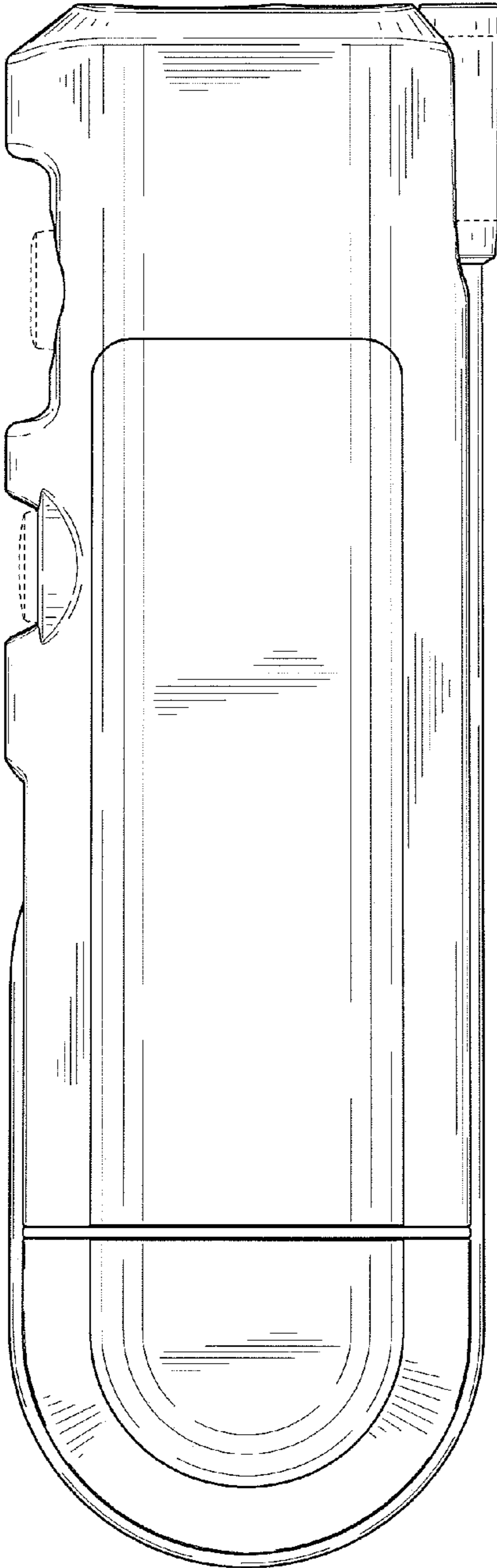


Fig. 3

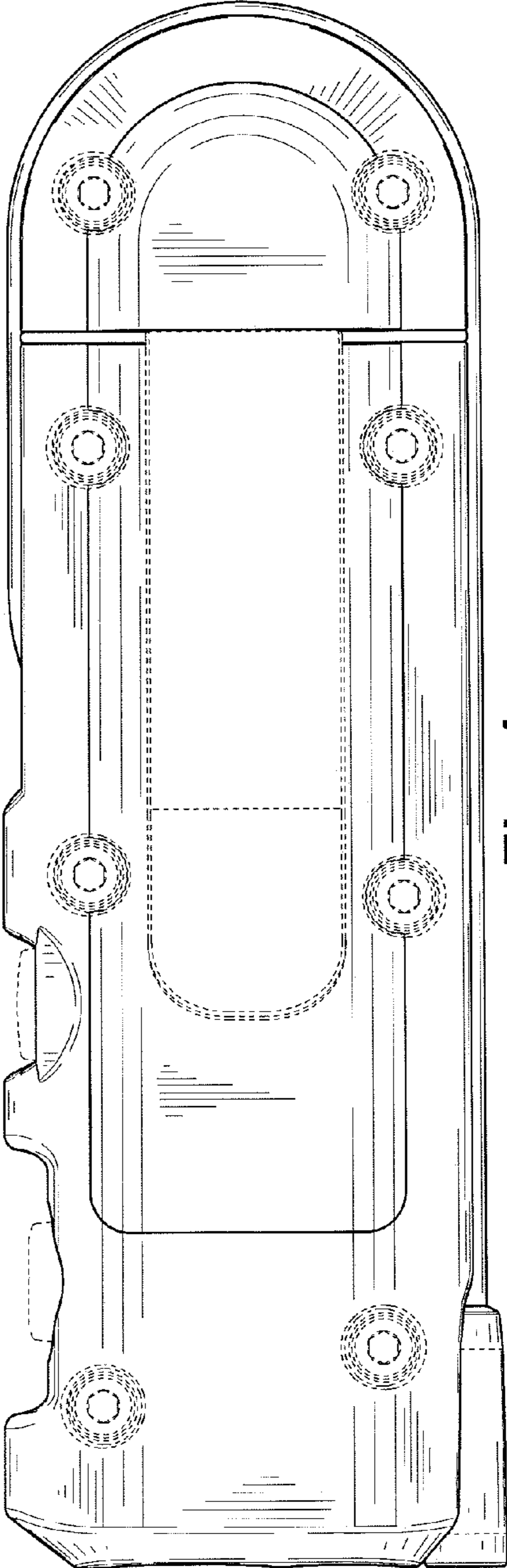


Fig. 4

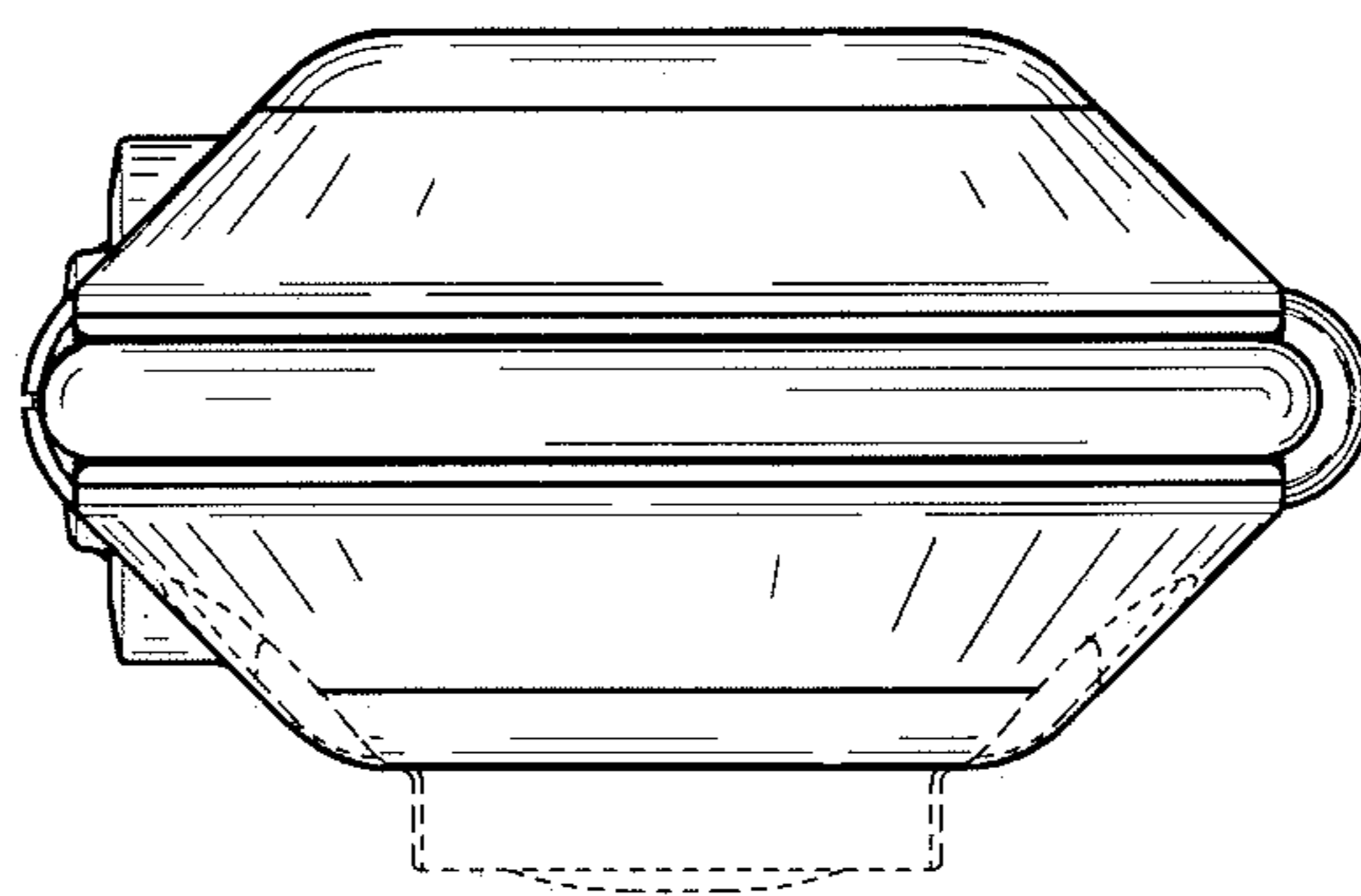


Fig. 6

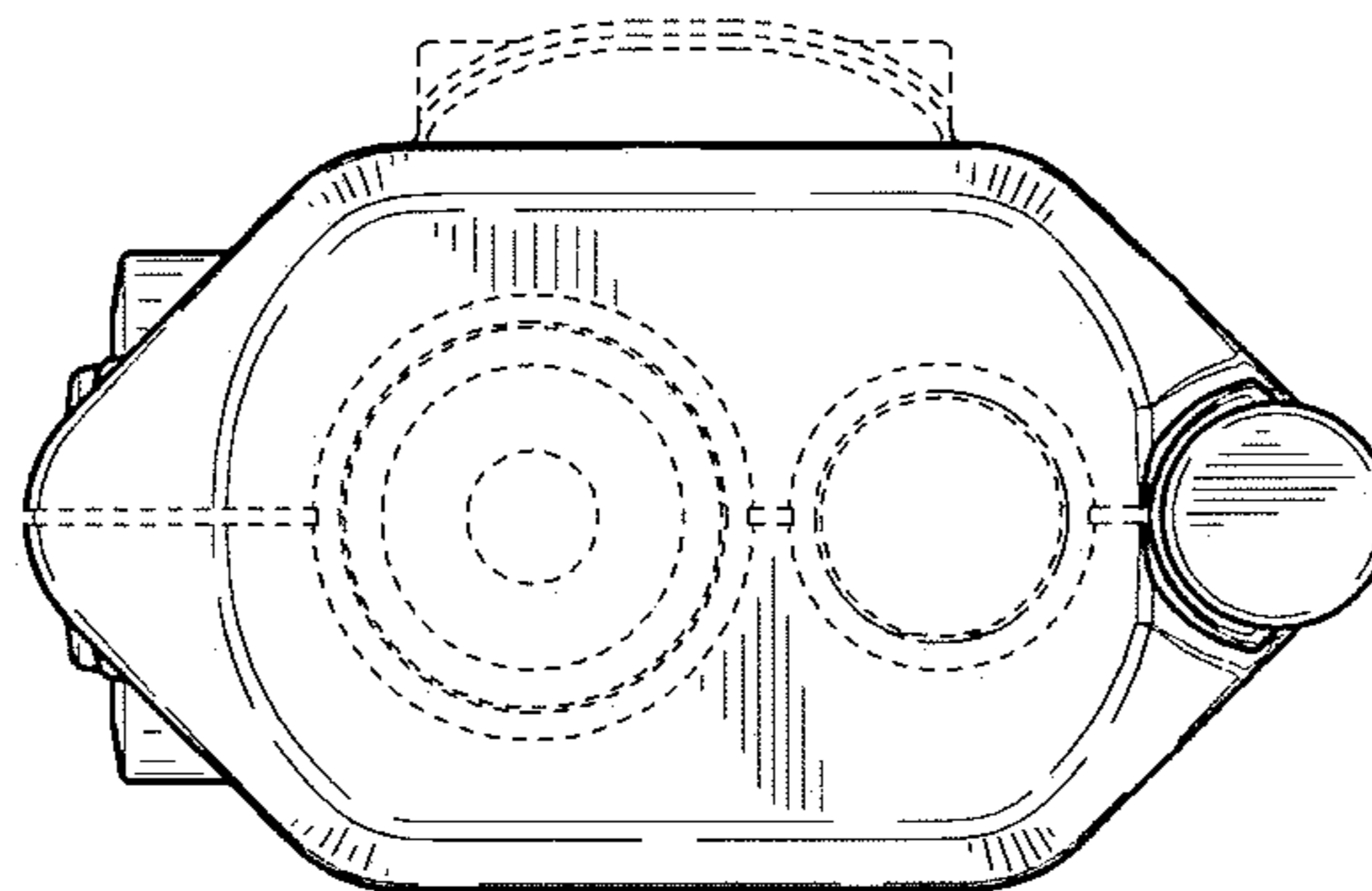


Fig. 5

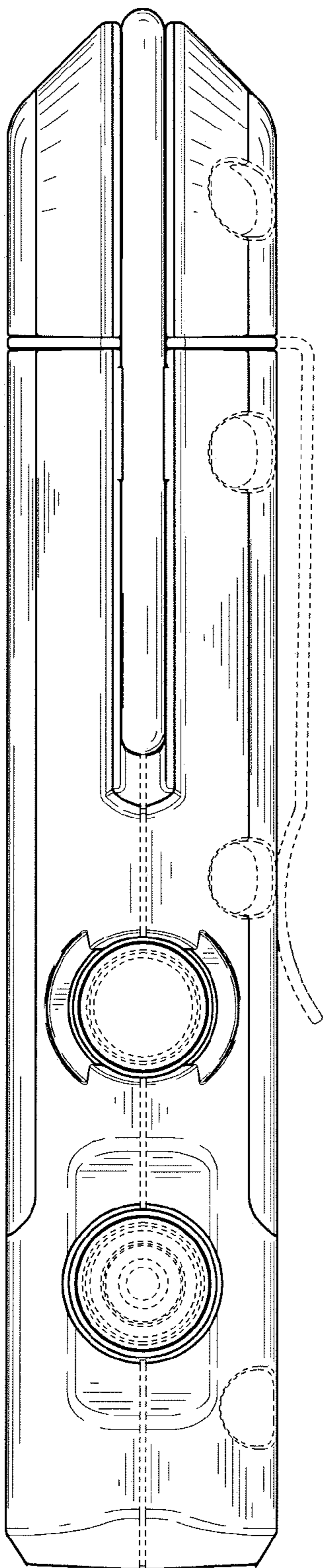


Fig. 7

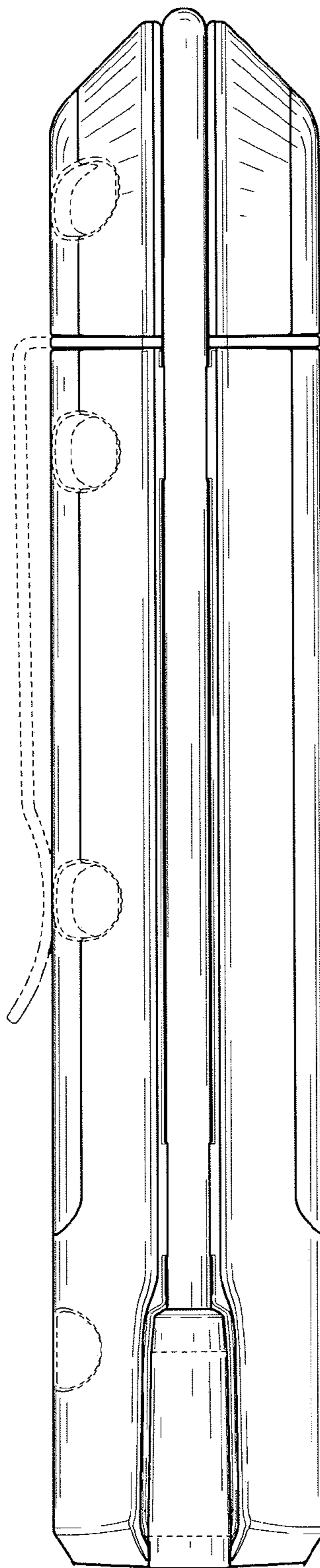


Fig. 8

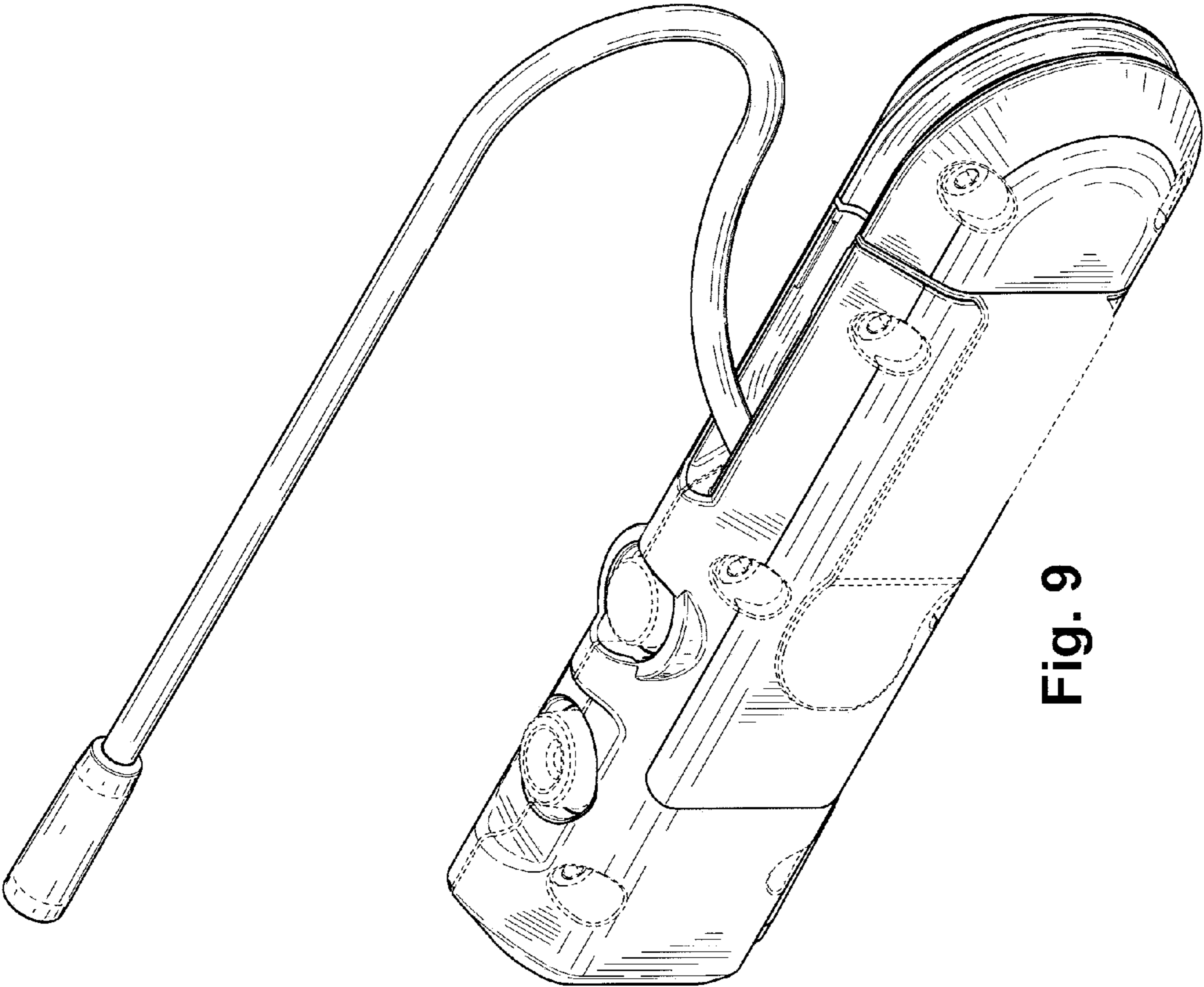


Fig. 9