



US00D704363S

(12) **United States Design Patent**
Adams

(10) **Patent No.:** **US D704,363 S**

(45) **Date of Patent:** **** May 6, 2014**

(54) **MOUNTABLE ADJUSTABLE VEHICLE LAMP**

(75) Inventor: **Steve Adams**, Mesa, AZ (US)

(73) Assignee: **JST Performance, Inc.**, Gilbert, AZ (US)

(**) Term: **14 Years**

(21) Appl. No.: **29/414,644**

(22) Filed: **Mar. 1, 2012**

(51) **LOC (10) Cl.** **26-06**

(52) **U.S. Cl.**
USPC **D26/28**

(58) **Field of Classification Search**
USPC D26/28-36; 362/459-468, 475-478,
362/485-487

See application file for complete search history.

(56) **References Cited**

U.S. PATENT DOCUMENTS

D490,172 S * 5/2004 Yamamoto D26/28
D554,279 S * 10/2007 Jeffries D26/28
D564,683 S * 3/2008 Roach et al. D26/28

D570,009 S * 5/2008 Kani et al. D26/28
D676,162 S * 2/2013 Adams D26/28
D697,241 S * 1/2014 Chen D26/28

* cited by examiner

Primary Examiner — Marcus Jackson

(57) **CLAIM**

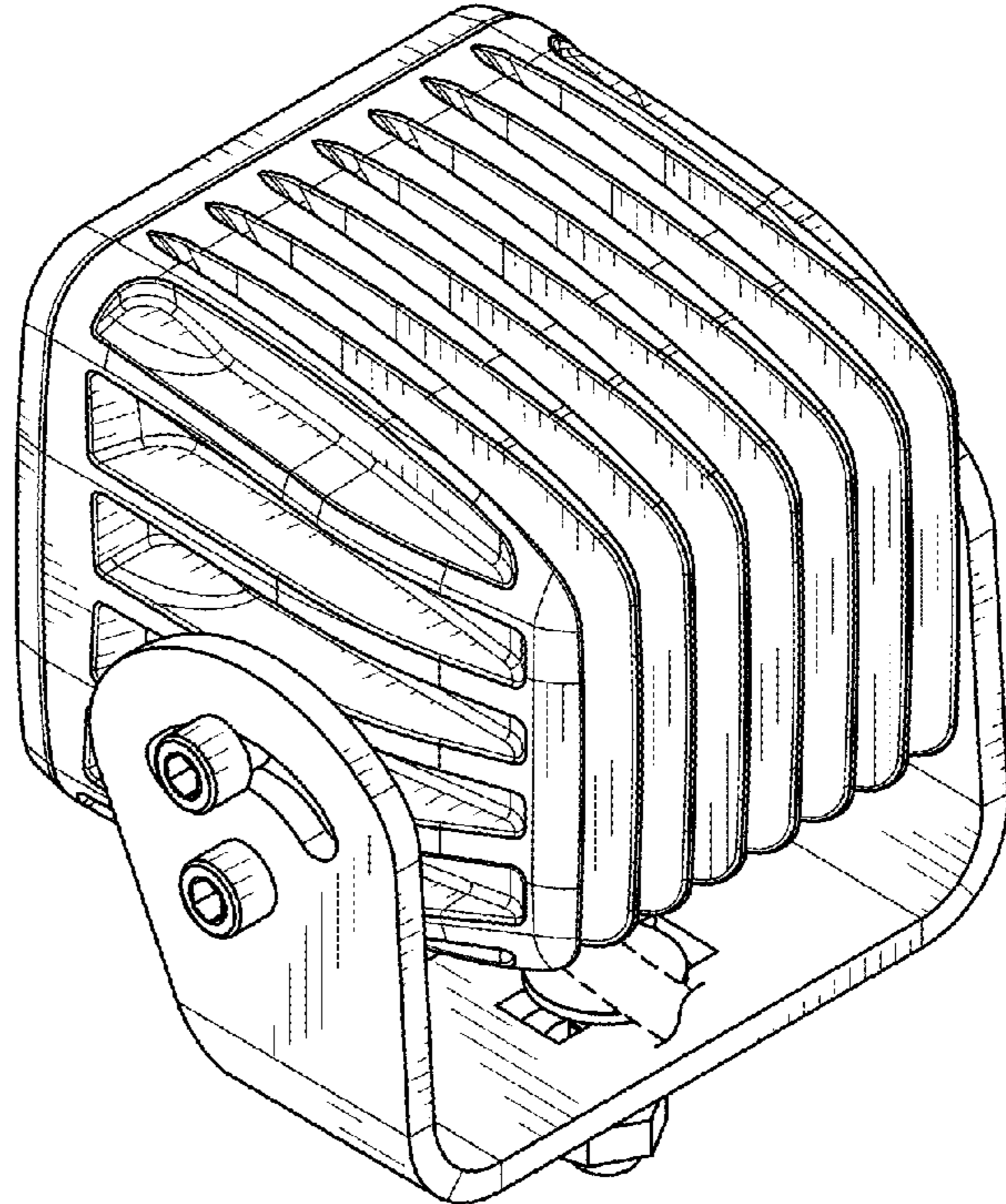
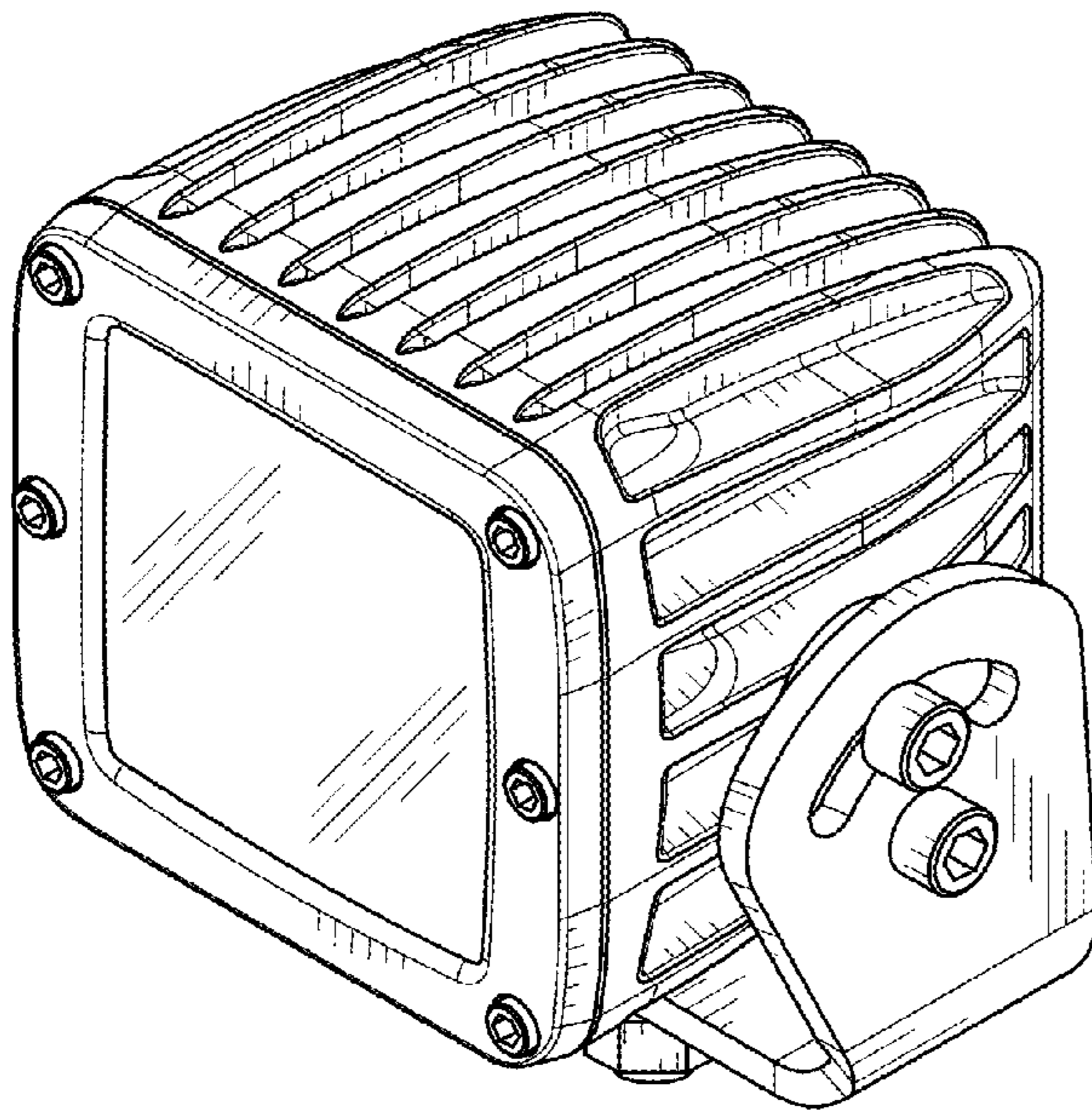
The ornamental design for a mountable adjustable vehicle lamp, as shown and described.

DESCRIPTION

FIG. 1 is a front right perspective view of a mountable adjustable vehicle lamp embodying the new design;
FIG. 2 is a rear right perspective view;
FIG. 3 is a front elevational view;
FIG. 4 is a rear elevational view;
FIG. 5 is a left side elevational view;
FIG. 6 is a right side elevational view;
FIG. 7 is a top view; and,
FIG. 8 is a bottom view.

The broken line representation of the power cord is for purposes of illustration, and forms no part of the claimed design.

1 Claim, 4 Drawing Sheets



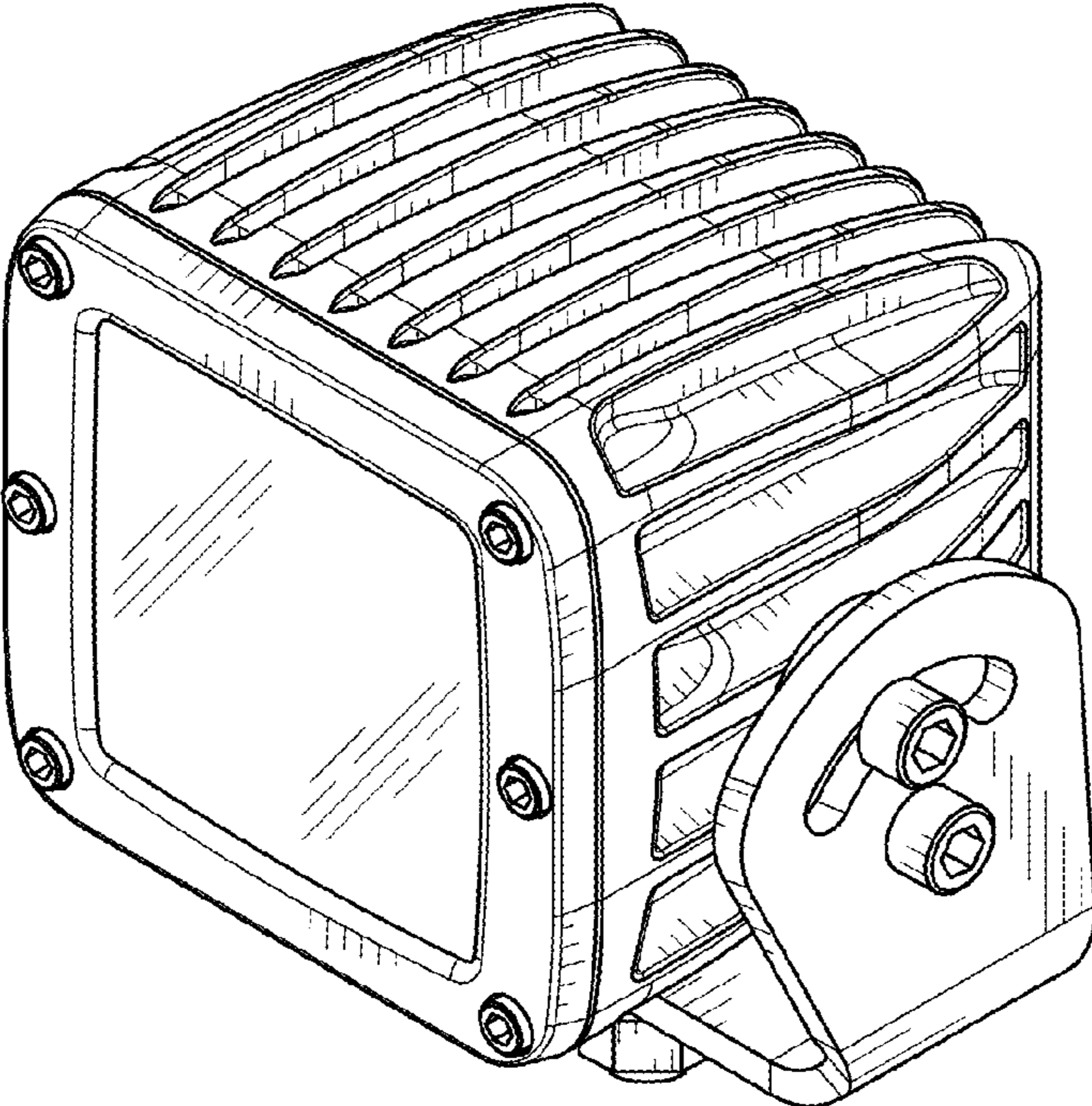


FIG. 1

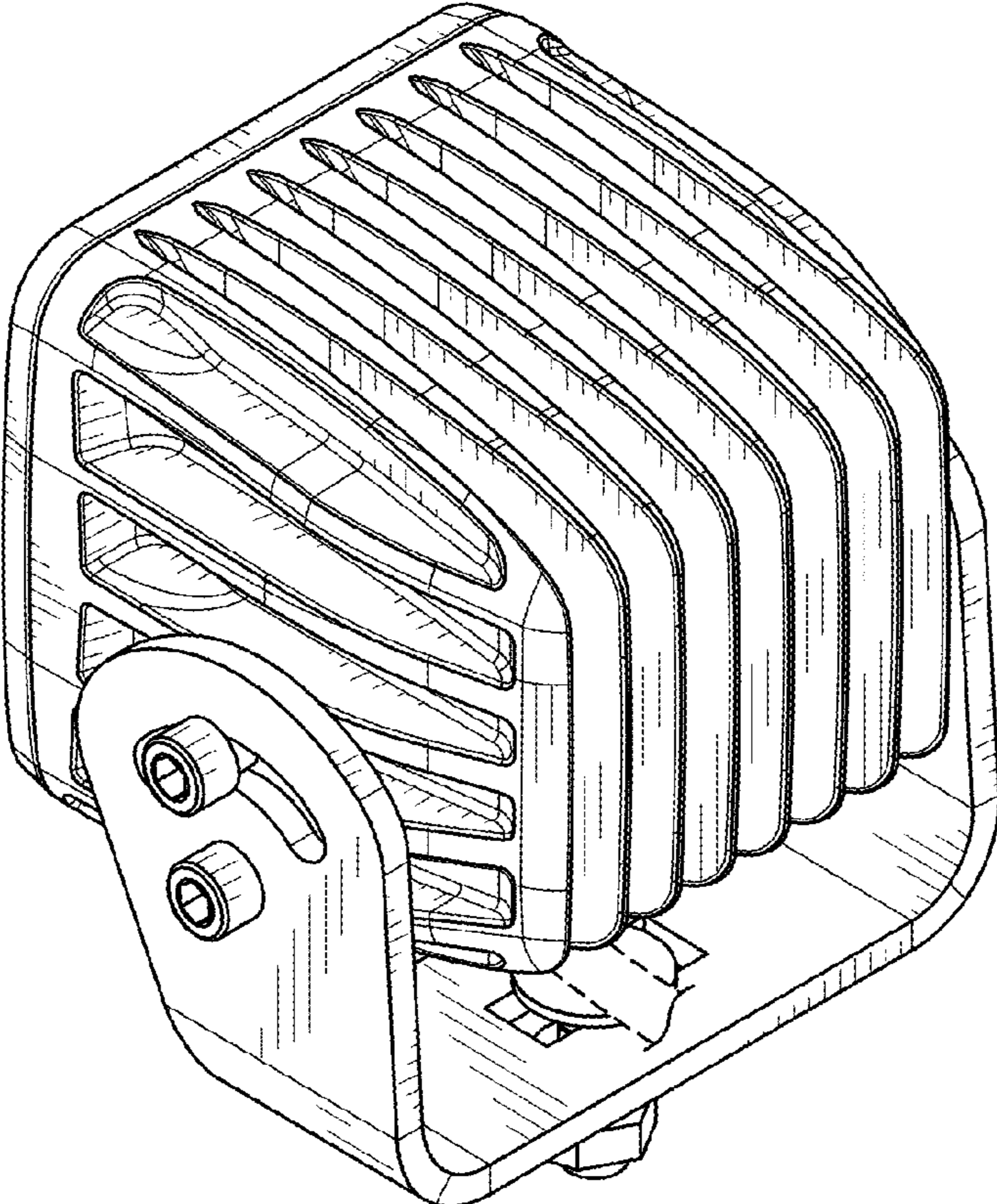


FIG. 2

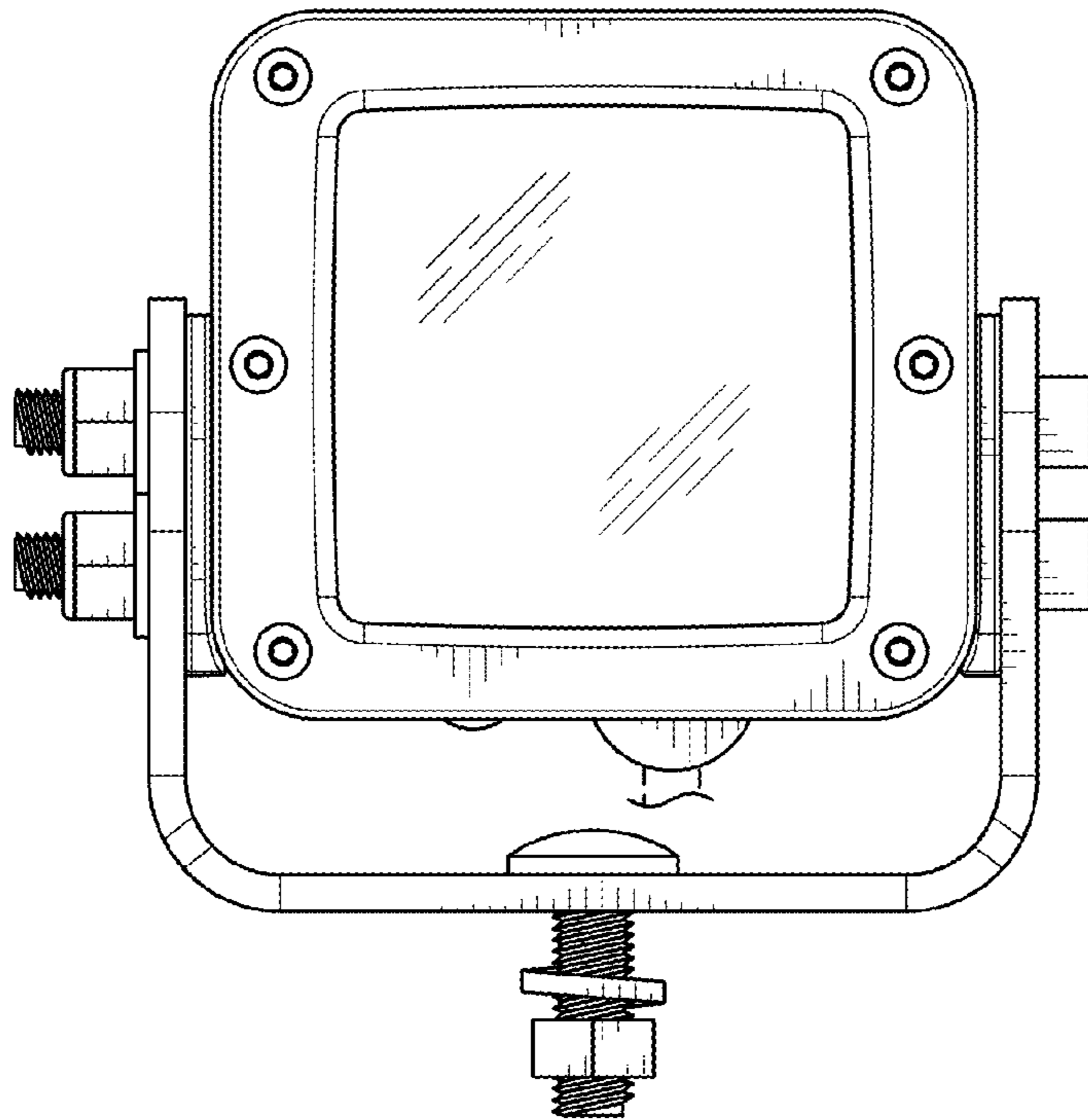


FIG. 3

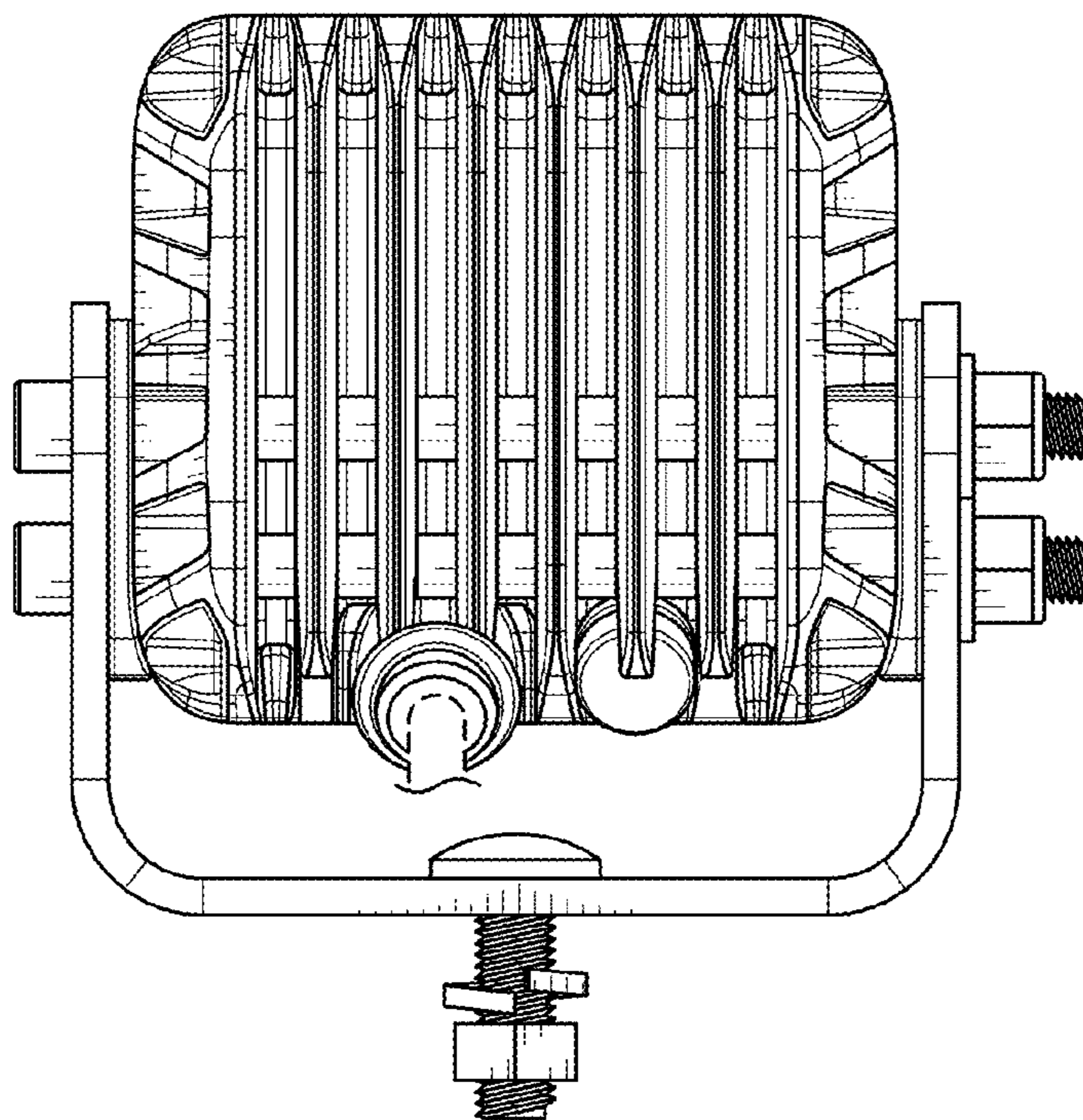


FIG. 4

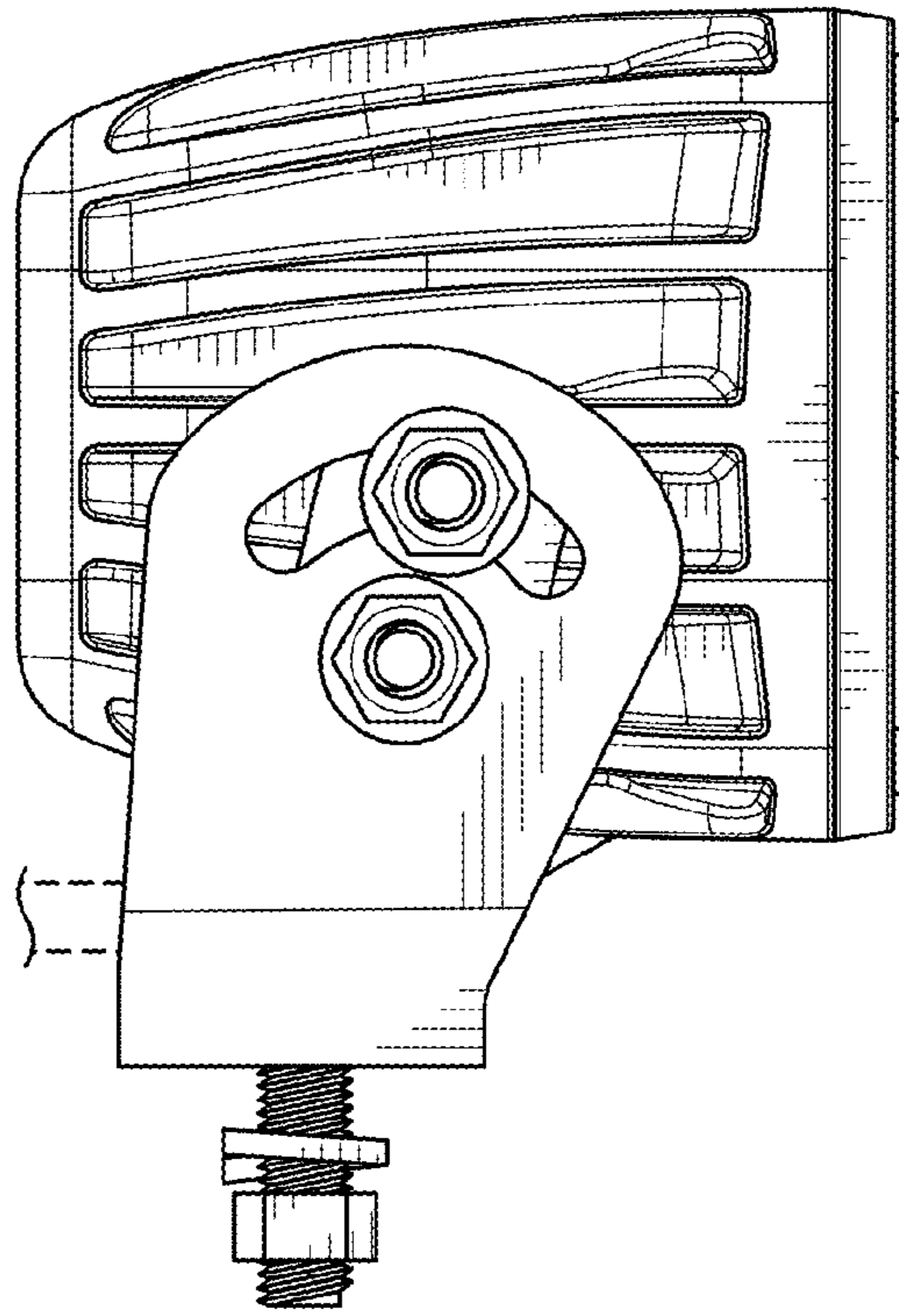


FIG. 5

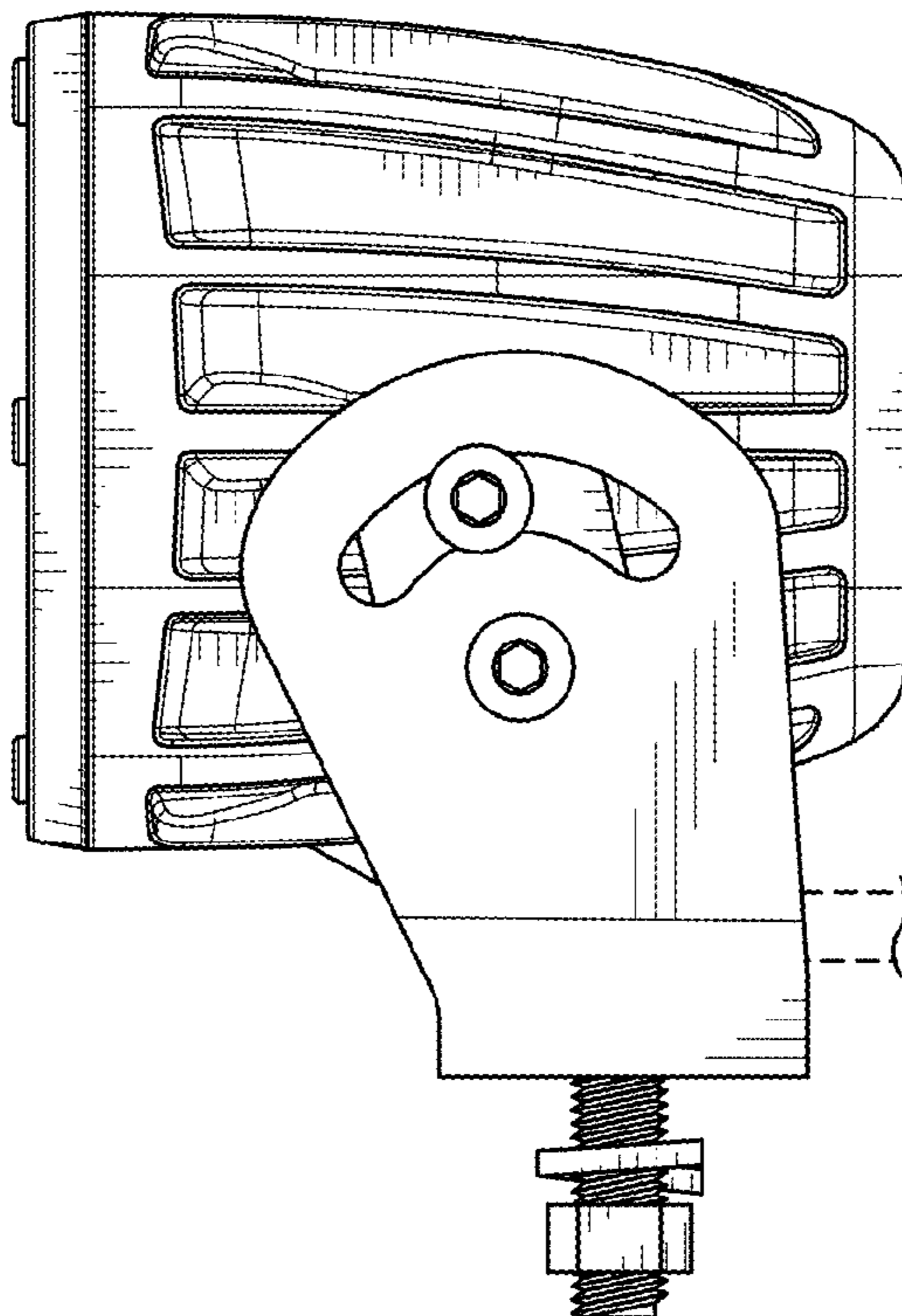


FIG. 6

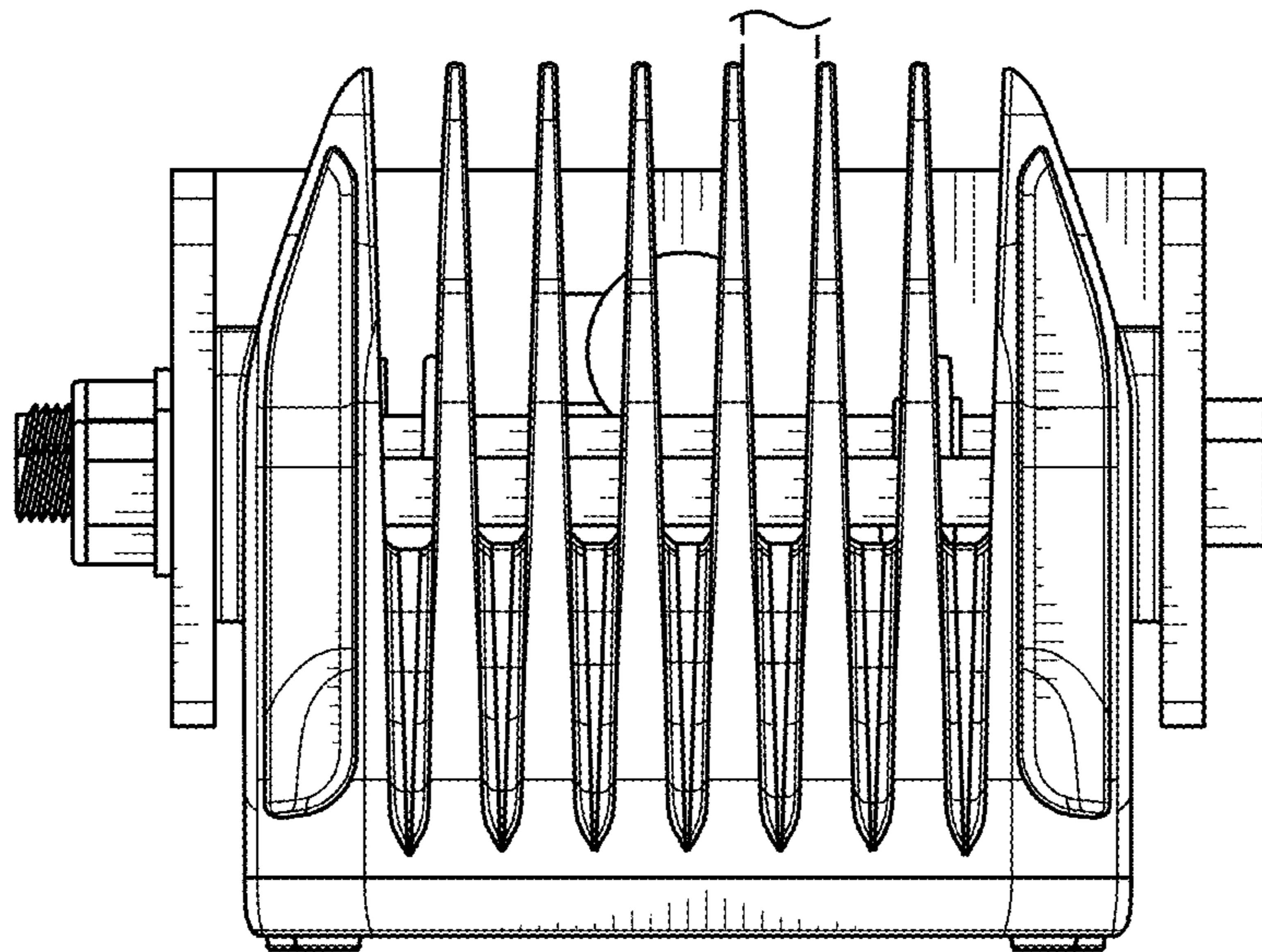


FIG. 7

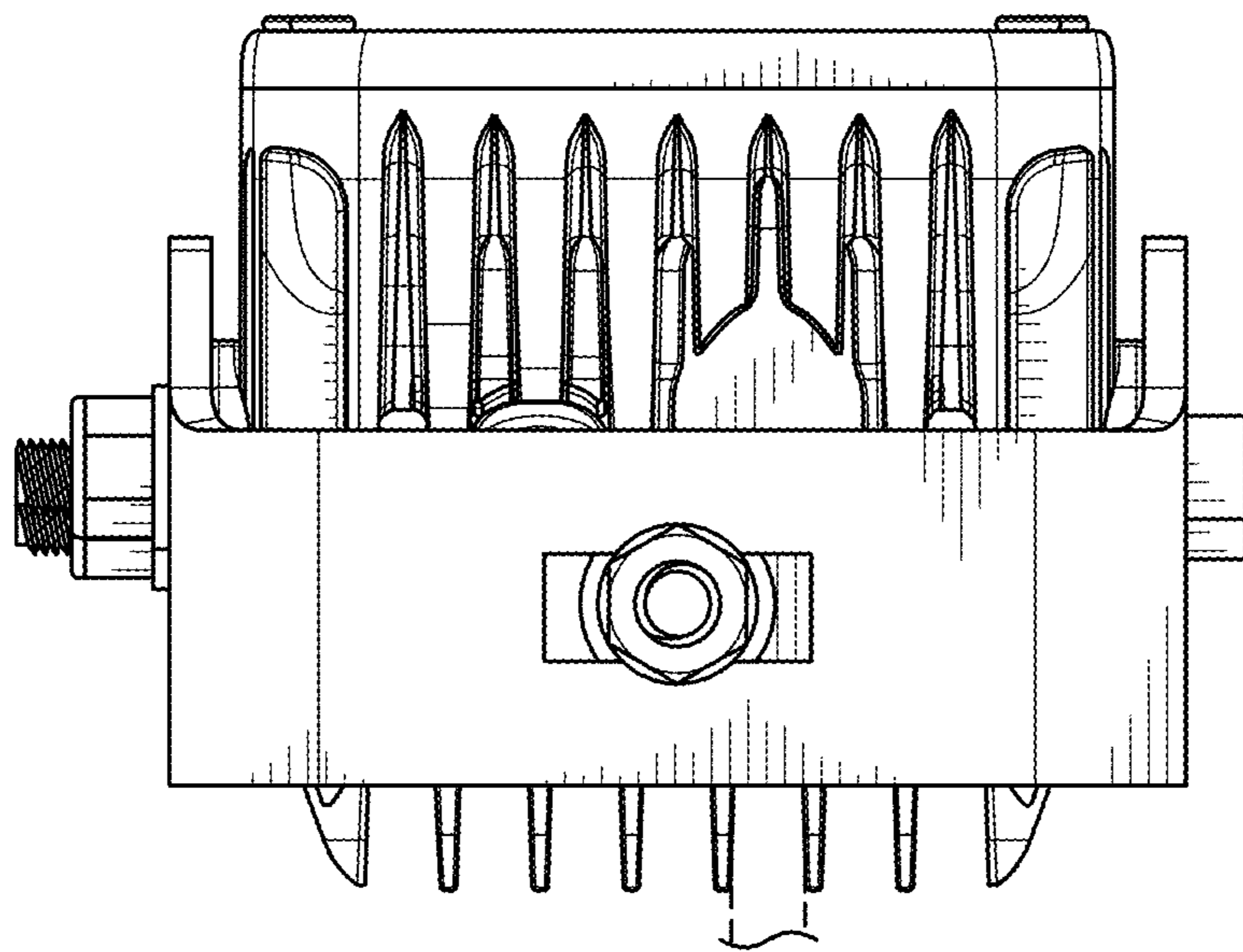


FIG. 8