



US00D704361S

(12) **United States Design Patent**
Boschetto

(10) **Patent No.:** **US D704,361 S**

(45) **Date of Patent:** **** May 6, 2014**

(54) **CANDLE HOLDER WITH SPIKE**
(75) Inventor: **Andrew Anthony Boschetto**, Sewell, NJ
(US)

D328,356 S * 7/1992 Wokeck D26/9
5,199,781 A 4/1993 Sweeny
5,292,245 A * 3/1994 Spoonhour 431/292
D403,440 S 12/1998 Holmes et al.
D507,062 S 7/2005 Boschetto
D508,742 S * 8/2005 van Bekhoven D26/9

(73) Assignee: **International Marketing Corporation**,
Turnersville, NJ (US)

* cited by examiner

(**) Term: **14 Years**

Primary Examiner — T. Chase Nelson

Assistant Examiner — Ania Aman

(21) Appl. No.: **29/413,919**

(74) *Attorney, Agent, or Firm* — Berenato & White, LLC

(22) Filed: **Feb. 22, 2012**

(57) **CLAIM**

(51) **LOC (10) Cl.** **26-01**

The ornamental design for a candle holder with spike, as shown and described.

(52) **U.S. Cl.**

USPC **D26/12**

DESCRIPTION

(58) **Field of Classification Search**

USPC D26/6, 7, 9-23; 431/299, 125, 126,
431/292, 289; D11/131, 131.1, 157

See application file for complete search history.

(56) **References Cited**

U.S. PATENT DOCUMENTS

D119,821 S * 4/1940 Sheerer D26/67
D150,073 S * 6/1948 Knorpp D26/12
D155,278 S * 9/1949 Fischett D26/12
D227,798 S * 7/1973 Anderson, Jr. D26/12
D320,864 S 10/1991 Boschetto

FIG. 1 is a front, top and left perspective view of the candle holder with spike showing my new design;

FIG. 2 is a front elevational view thereof;

FIG. 3 is a rear elevational view thereof;

FIG. 4 is a right side elevational view thereof;

FIG. 5 is a left side elevational view thereof;

FIG. 6 is a top plan view thereof; and,

FIG. 7 is a bottom plan view thereof.

In the drawings, the broken lines depict unclaimed subject matter only and form no part of the claimed design.

1 Claim, 4 Drawing Sheets

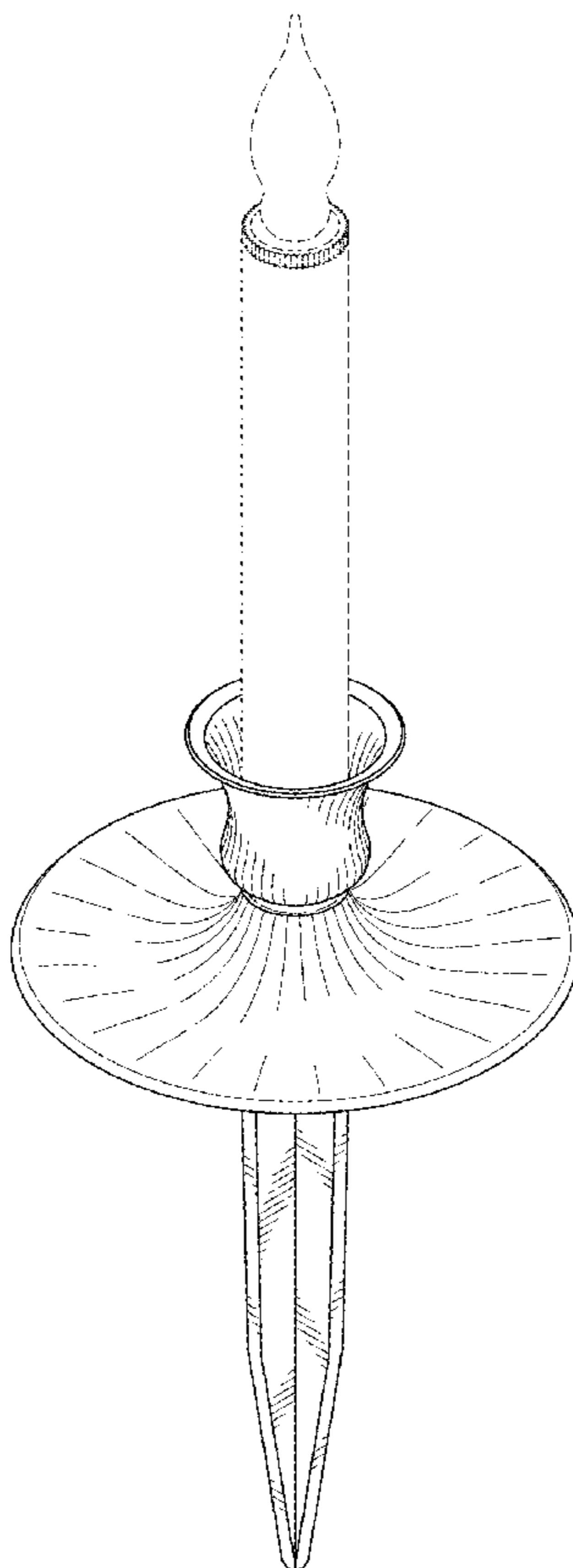


Fig. 1

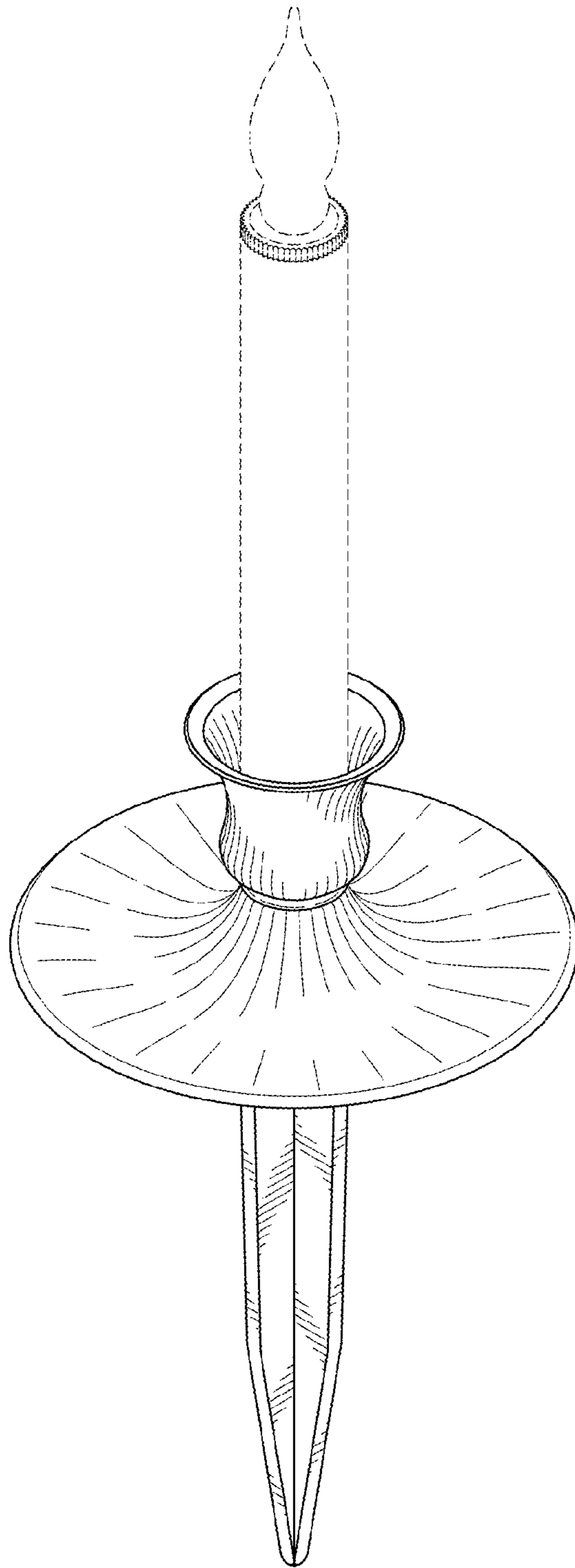


Fig. 2

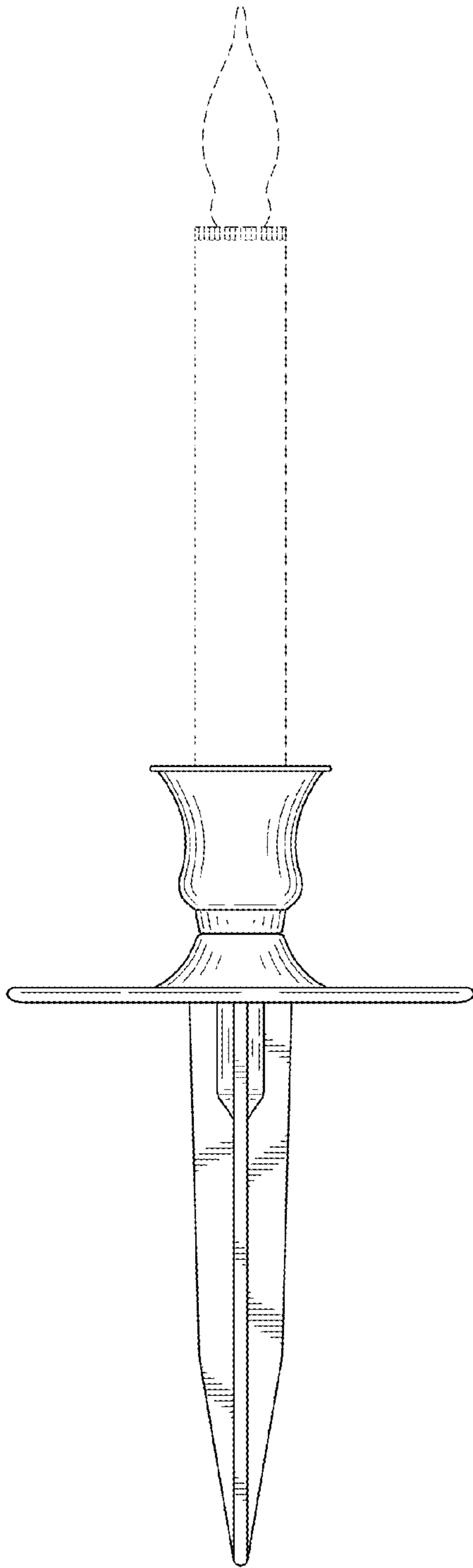


Fig. 3

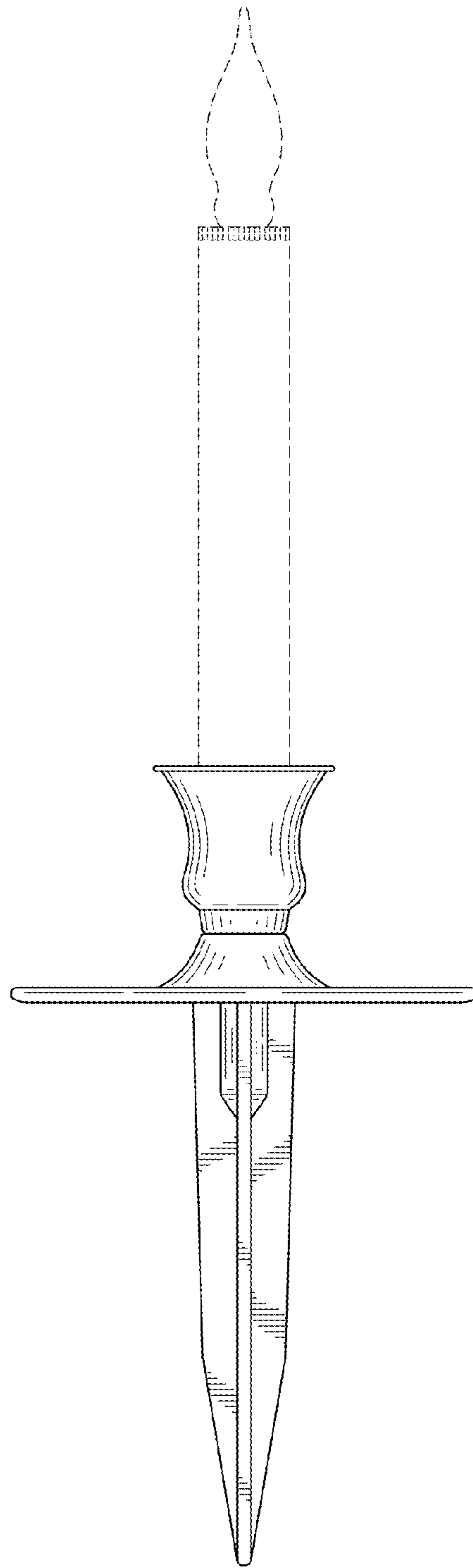


Fig. 4

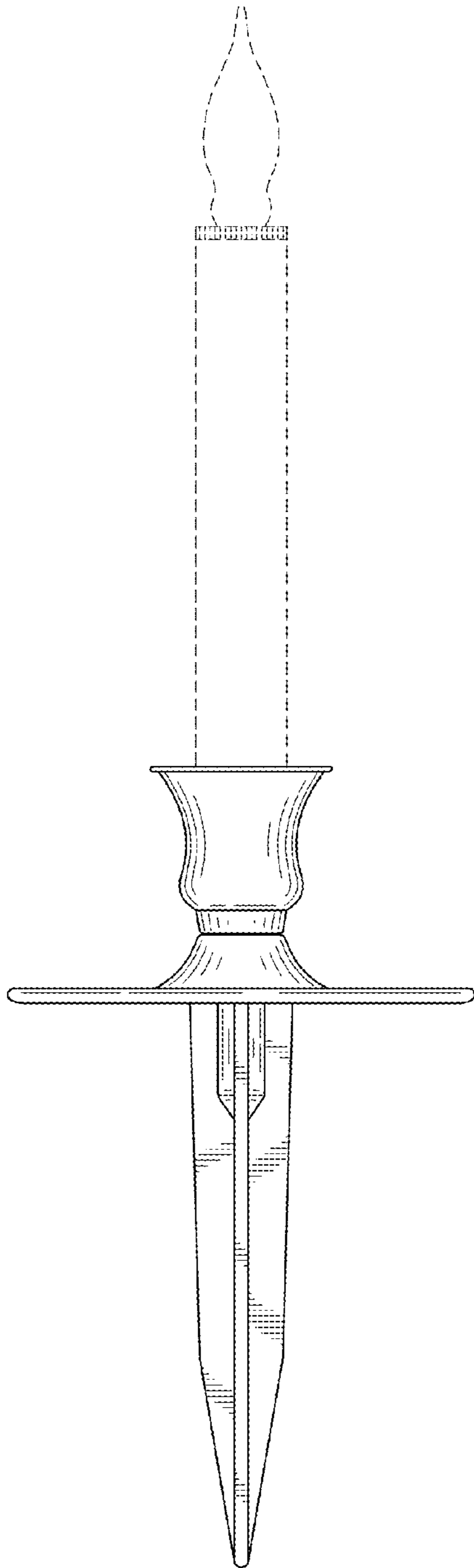


Fig. 5

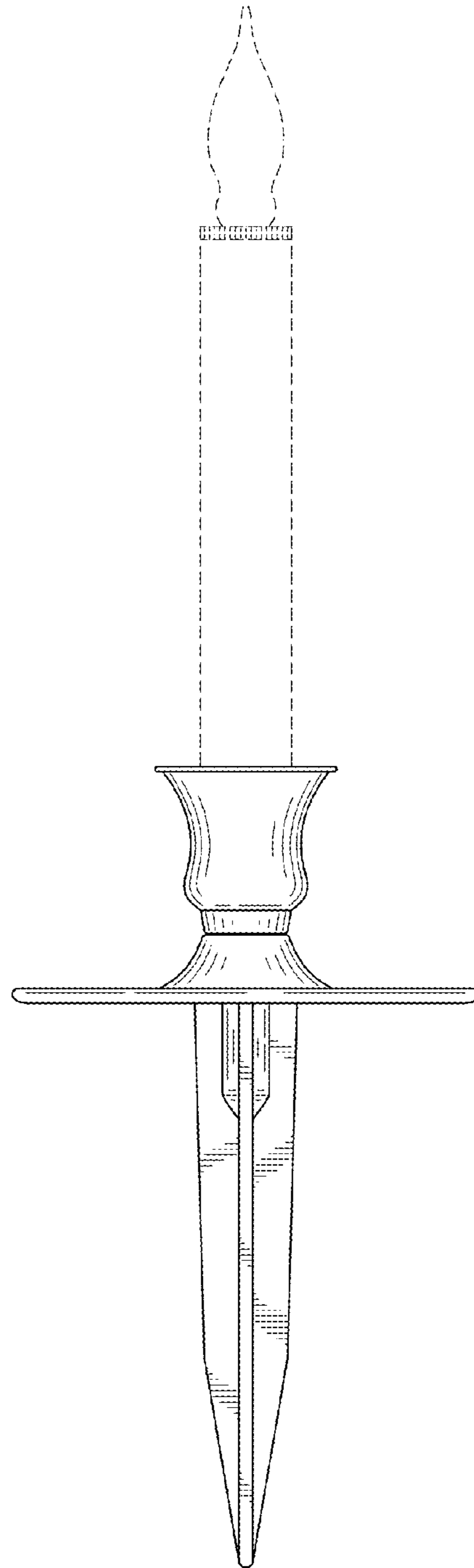


Fig. 6

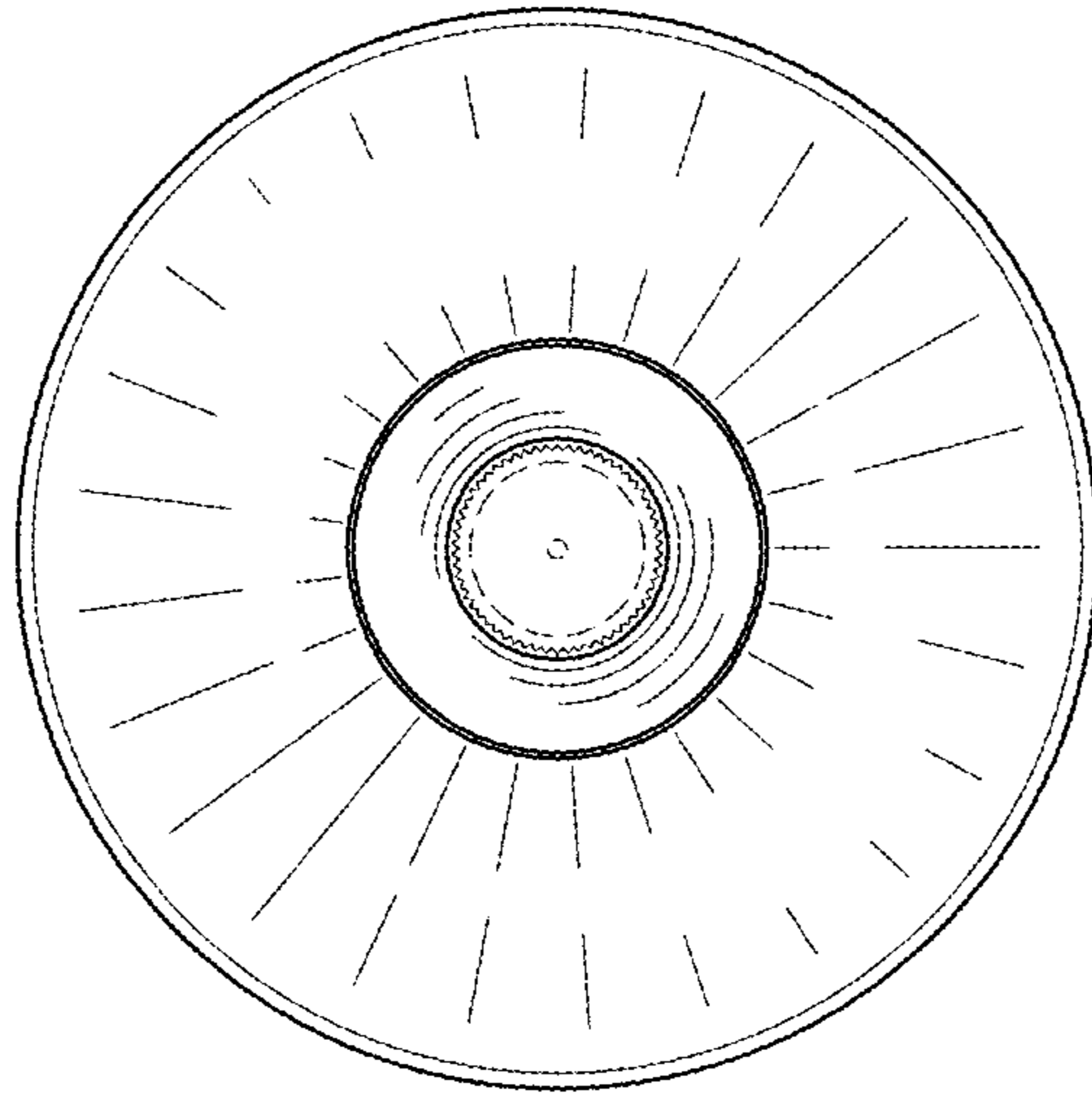


Fig. 7

