



US00D704359S

(12) **United States Design Patent**  
**Holland et al.**

(10) **Patent No.:** **US D704,359 S**

(45) **Date of Patent:** **\*\* May 6, 2014**

(54) **LUMINAIRE**

D582,578 S \* 12/2008 Tsai et al. .... D26/2  
D594,995 S \* 6/2009 Komar ..... D26/2  
D687,982 S \* 8/2013 Leahy et al. .... D26/2

(75) Inventors: **Eric Holland**, Indian Harbour Beach, FL (US); **Mark P. Boomgaarden**, Satellite Beach, FL (US); **Ryan Kelley**, Denver, CO (US)

\* cited by examiner

(73) Assignee: **Lighting Science Group Corporation**, Satellite Beach, FL (US)

*Primary Examiner* — Marcus Jackson

(74) *Attorney, Agent, or Firm* — Mark R. Malek; Zies Wideman & Malek

(\*\*) Term: **14 Years**

(57) **CLAIM**

The ornamental design for a luminaire, as shown and described.

(21) Appl. No.: **29/420,190**

**DESCRIPTION**

(22) Filed: **May 6, 2012**

(51) **LOC (10) Cl.** ..... **26-04**

(52) **U.S. Cl.**  
USPC ..... **D26/2**

(58) **Field of Classification Search**  
USPC ..... D26/1-4; 313/313, 315, 316, 317, 318, 313/493; 315/52, 53, 56, 57, 58  
See application file for complete search history.

FIG. 1 is a exploded front perspective view of a luminaire having a radially oriented light source according to the present invention.

FIG. 2 is a top plan view of the luminaire having a radially oriented light source illustrated in FIG. 1.

FIG. 3 is a side elevation view of the luminaire having a radially oriented light source illustrated in FIG. 1.

FIG. 4 is a cross sectional view of the luminaire having a radially oriented light source illustrated in FIG. 1 taken through line 4-4 in FIG. 3; and,

FIG. 5 is a exploded perspective view of the luminaire having a radially oriented light source illustrated in FIG. 1.

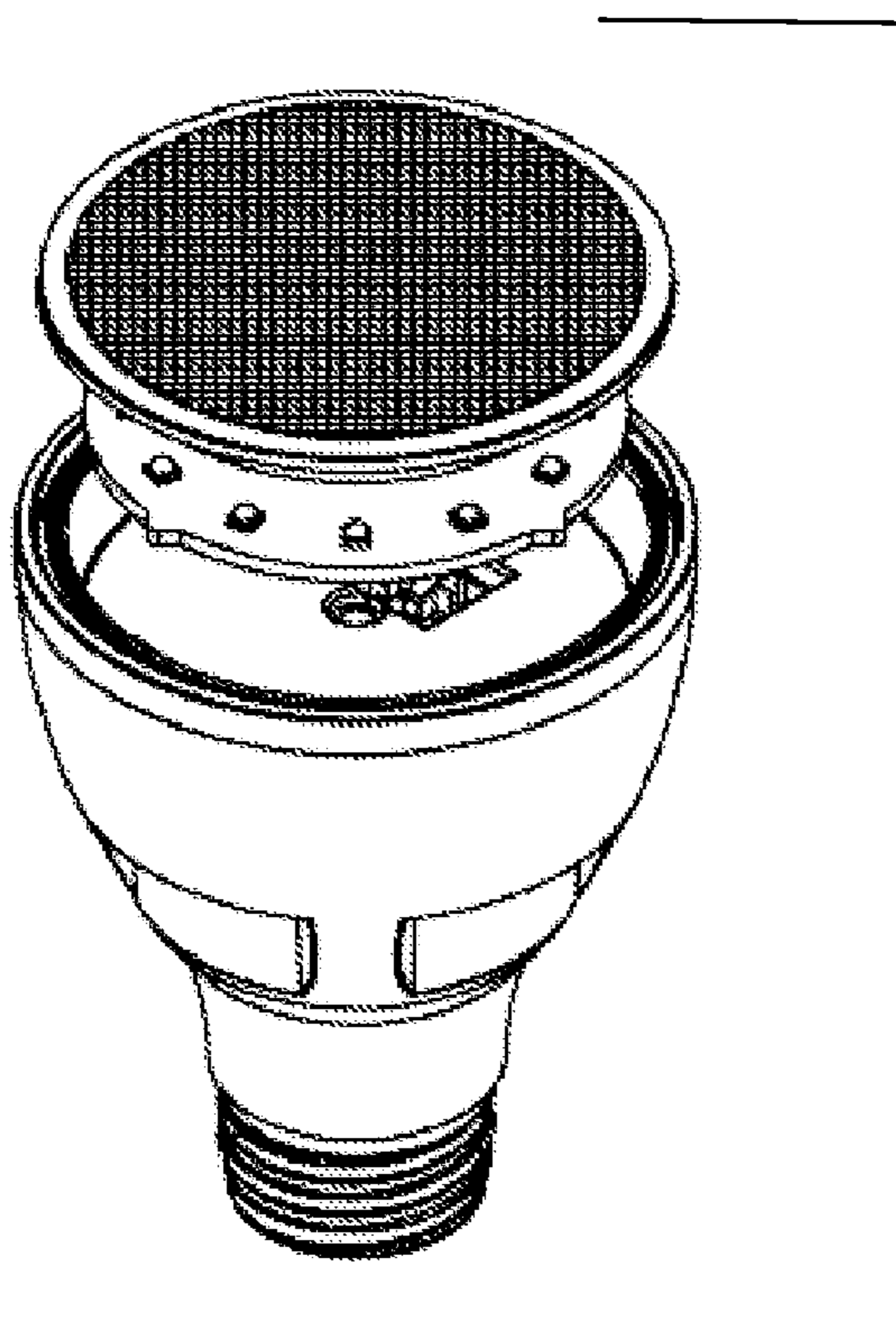
The dashed lines depict an enclosure that forms no part of the present invention.

(56) **References Cited**

**U.S. PATENT DOCUMENTS**

D542,943 S \* 5/2007 Wang ..... D26/2  
D546,980 S \* 7/2007 Lo ..... D26/2  
D549,854 S \* 8/2007 Takahashi ..... D26/2  
D566,300 S \* 4/2008 Lo ..... D26/2

**1 Claim, 3 Drawing Sheets**



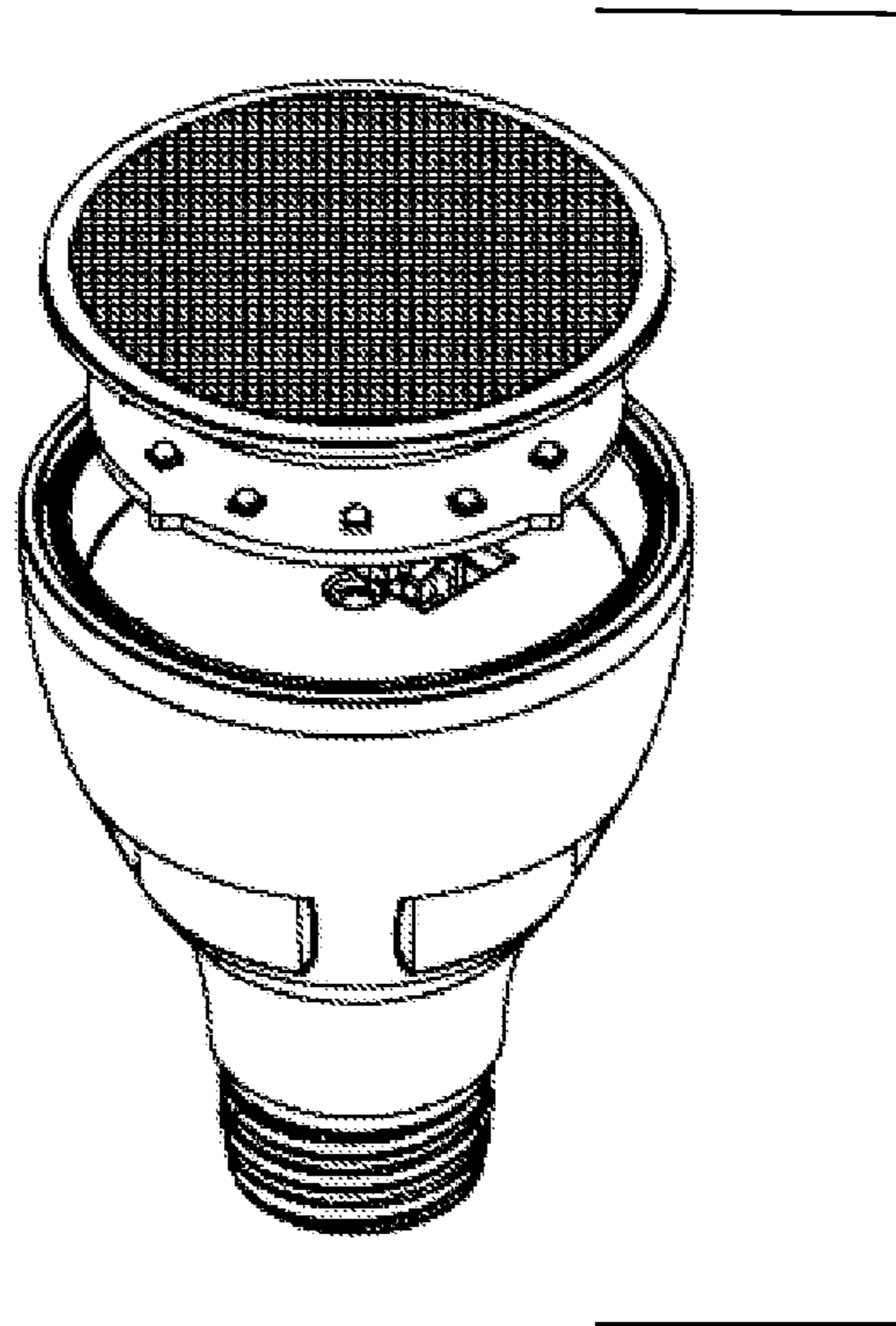


FIG. 1

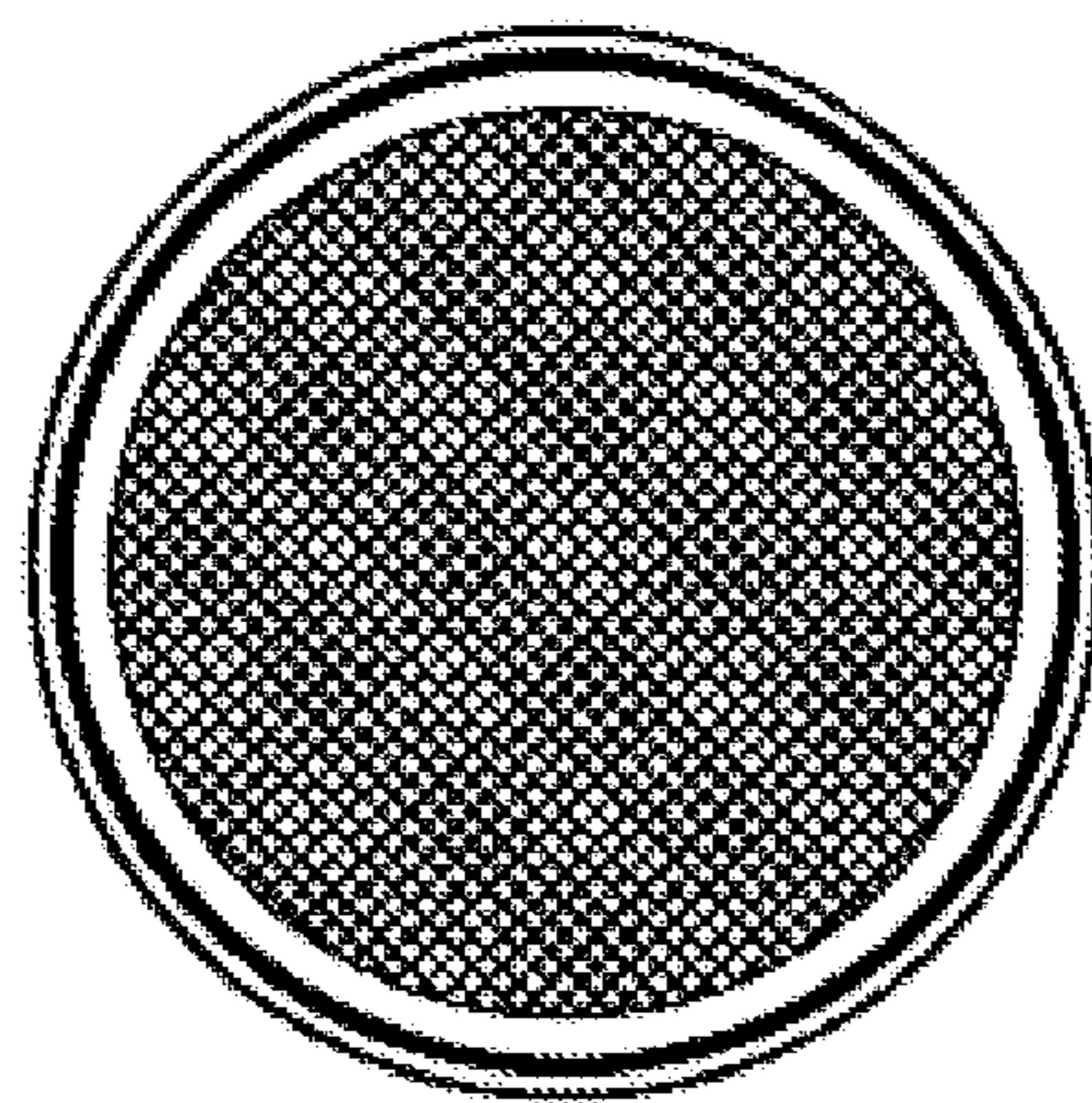


FIG. 2

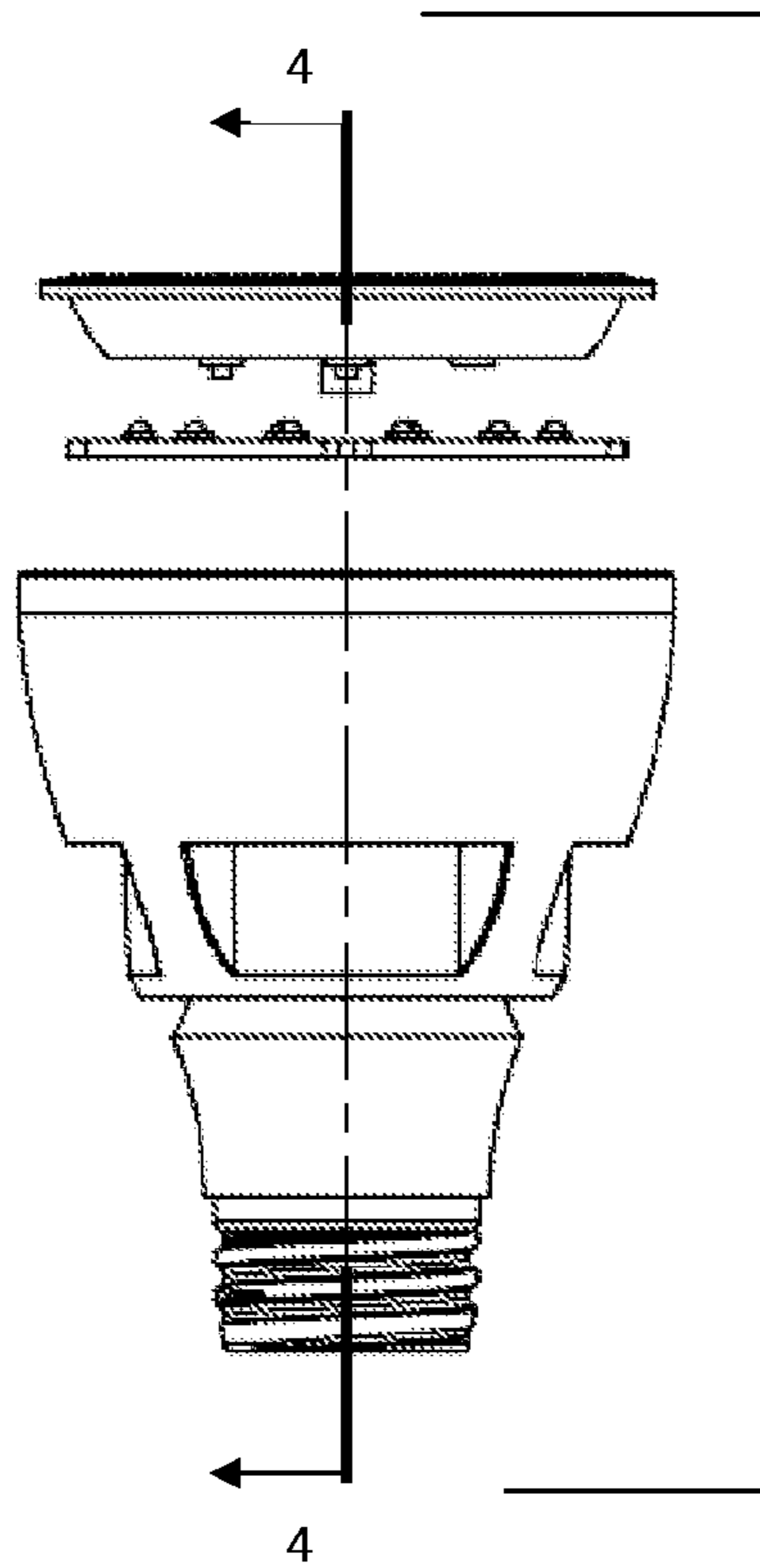


FIG. 3

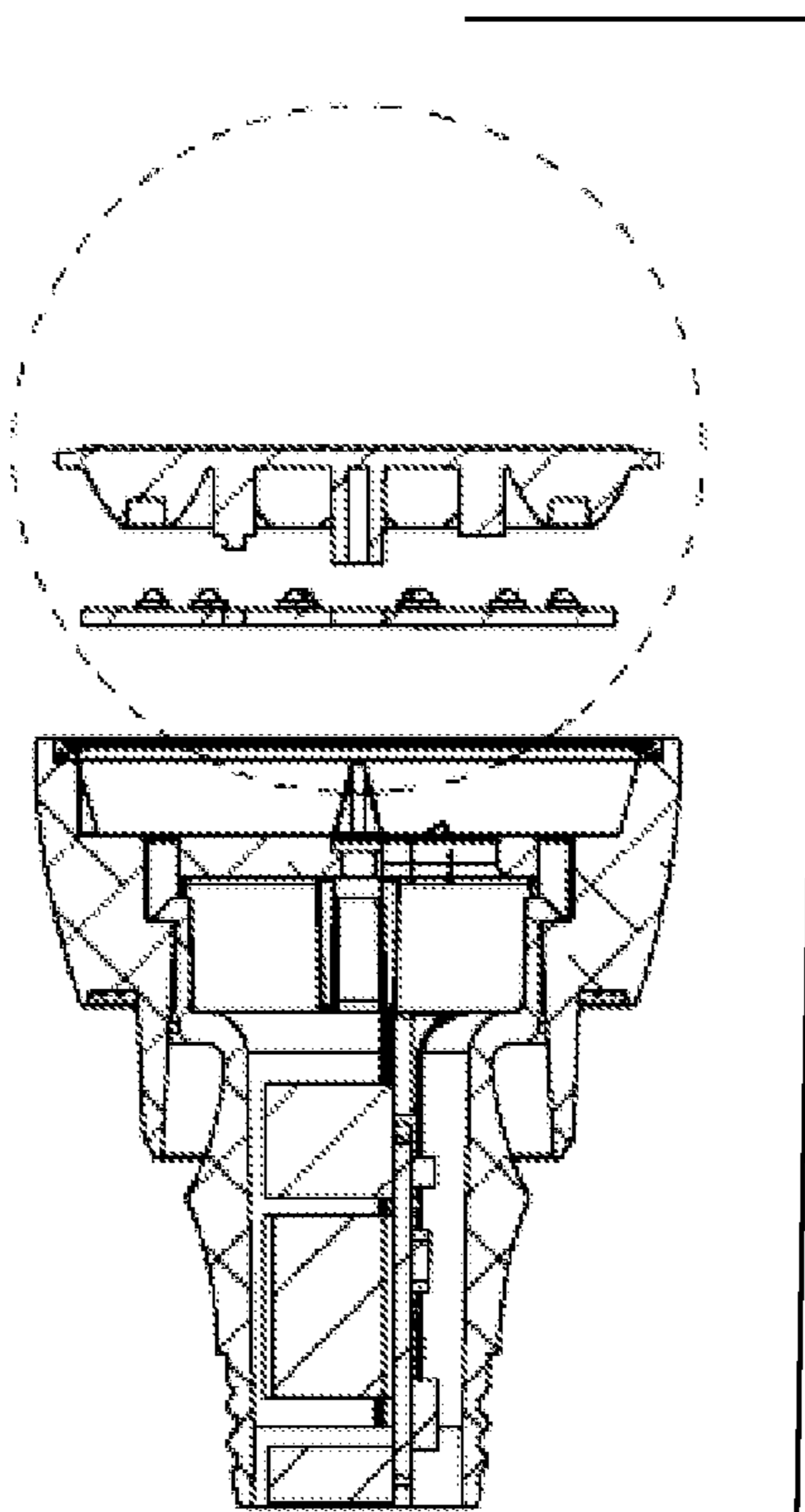


FIG. 4

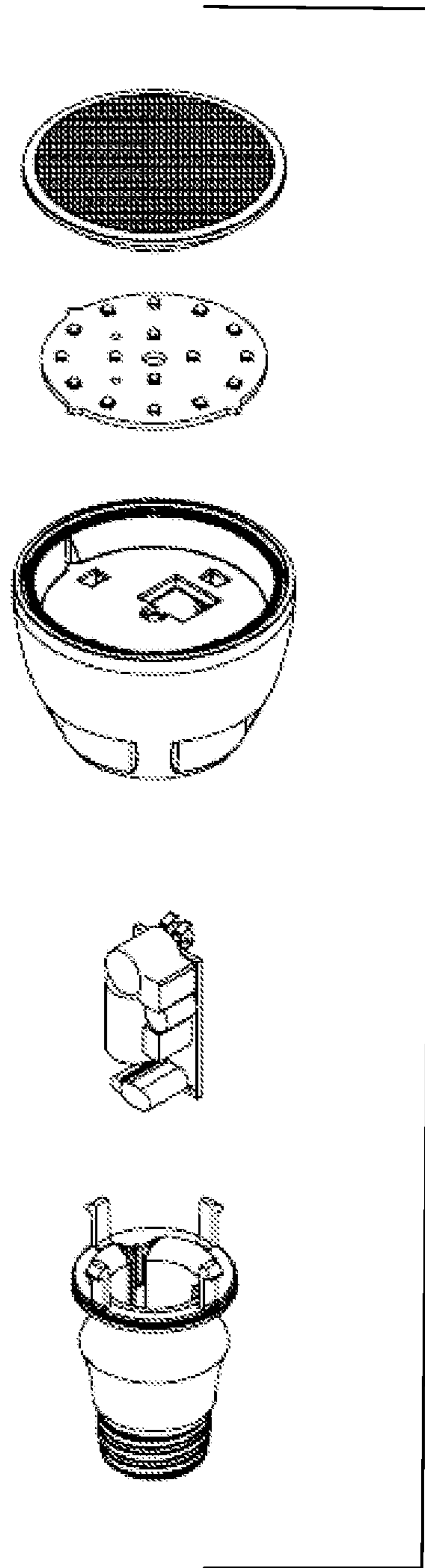


FIG. 5