

US00D704350S

(12) **United States Design Patent**
Lau et al.

(10) **Patent No.:** **US D704,350 S**
(45) **Date of Patent:** **** May 6, 2014**

(54) **BOTTLE STERILIZING DEVICE**
(75) Inventors: **Susan Hong Mei Lau**, Shenzhen (CN);
Keith Chung Shun Tse, Yuen Long (HK)

(73) Assignee: **Conair Corporation**, Stamford, CT (US)

(**) Term: **14 Years**

(21) Appl. No.: **29/429,297**

(22) Filed: **Aug. 9, 2012**

(51) **LOC (10) Cl.** **24-01**

(52) **U.S. Cl.**
USPC **D24/217**

(58) **Field of Classification Search**
USPC D24/216, 217, 218, 224, 227, 231, 194,
D24/197; D3/203.1, 264, 294; D9/420, 423,
D9/432; 422/20, 21, 22, 24, 26, 297, 300,
422/303; 220/529, 735; 206/370, 438;
D32/1; D7/326, 538, 629

See application file for complete search history.

(56) **References Cited**

U.S. PATENT DOCUMENTS

2,029,844 A 2/1936 Tyler
2,162,228 A 6/1939 Pierce
RE22,832 E 1/1947 Meyerson
2,484,681 A 10/1949 Brewster
2,597,407 A 5/1952 Thompson
D176,310 S * 12/1955 Schulz et al. D7/326
4,544,529 A 10/1985 Hoeck

D305,261 S 12/1989 Hobbs
D315,039 S * 2/1991 Wortham D32/1
5,213,776 A 5/1993 Maniero et al.
D358,658 S * 5/1995 Chen D24/218
5,690,852 A 11/1997 Saito et al.
D463,076 S * 9/2002 Nottingham et al. D32/1
D593,262 S * 5/2009 Gong D32/1
D642,853 S * 8/2011 Tse D7/325
D669,595 S * 10/2012 Schofield D24/217
D679,825 S * 4/2013 Elkerbout et al. D24/217
D680,225 S * 4/2013 Boonprasop D24/217
D685,231 S * 7/2013 Lane D7/629
D686,743 S * 7/2013 Gooch D24/217

* cited by examiner

Primary Examiner — Anhdao Doan

(74) *Attorney, Agent, or Firm* — McCormick Paulding & Huber LLP

(57) **CLAIM**

The ornamental design for a bottle sterilizing device, as shown and described.

DESCRIPTION

FIG. 1 is a front elevational view of a bottle sterilizing device showing a new design;

FIG. 2 is a right side elevational view thereof;

FIG. 3 is a left side elevational view thereof;

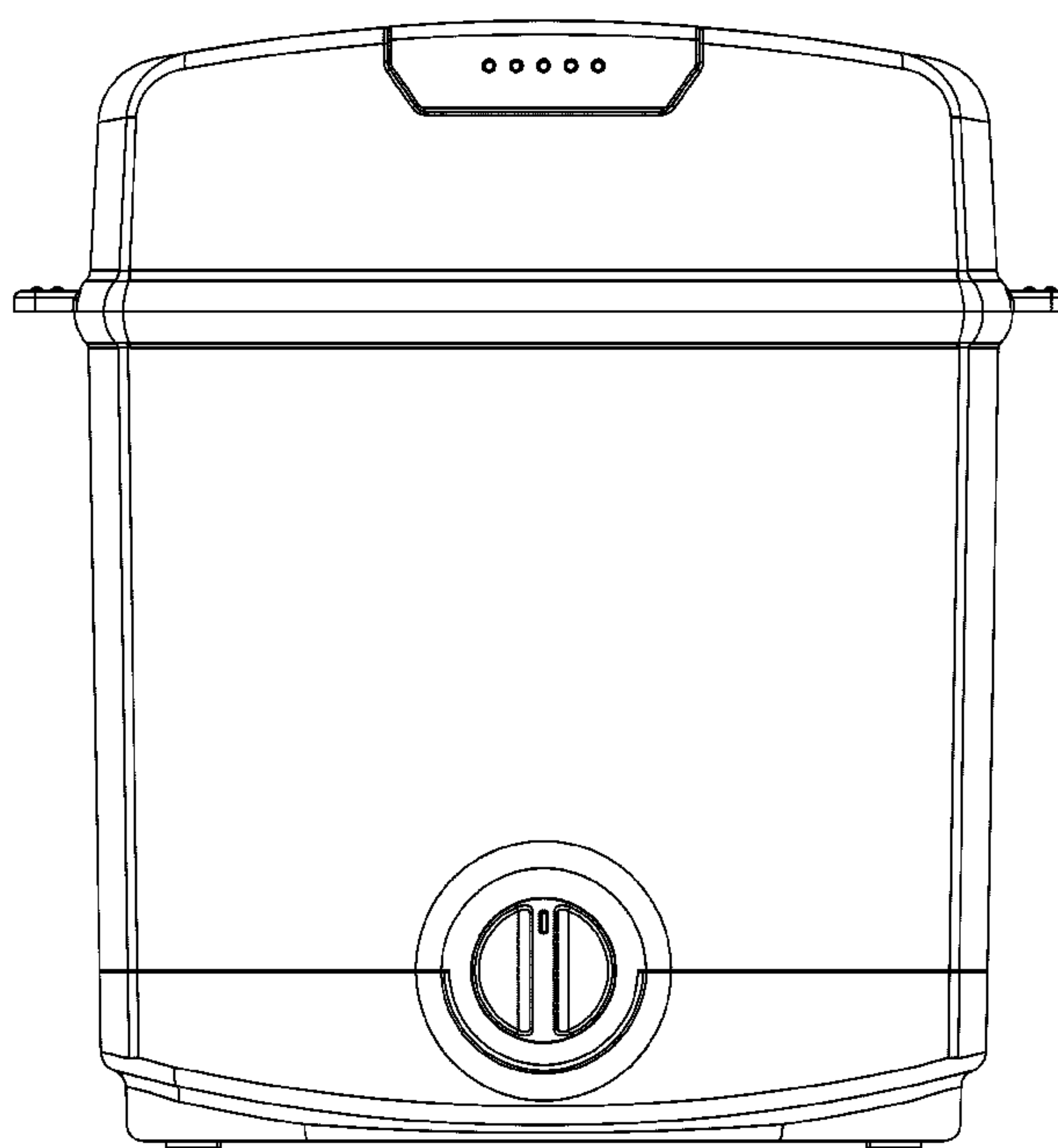
FIG. 4 is a top plan view thereof;

FIG. 5 is a bottom plan view thereof; and,

FIG. 6 is a rear elevational view thereof.

The broken lines are for illustrative purposes only and form no part of the claimed design.

1 Claim, 6 Drawing Sheets



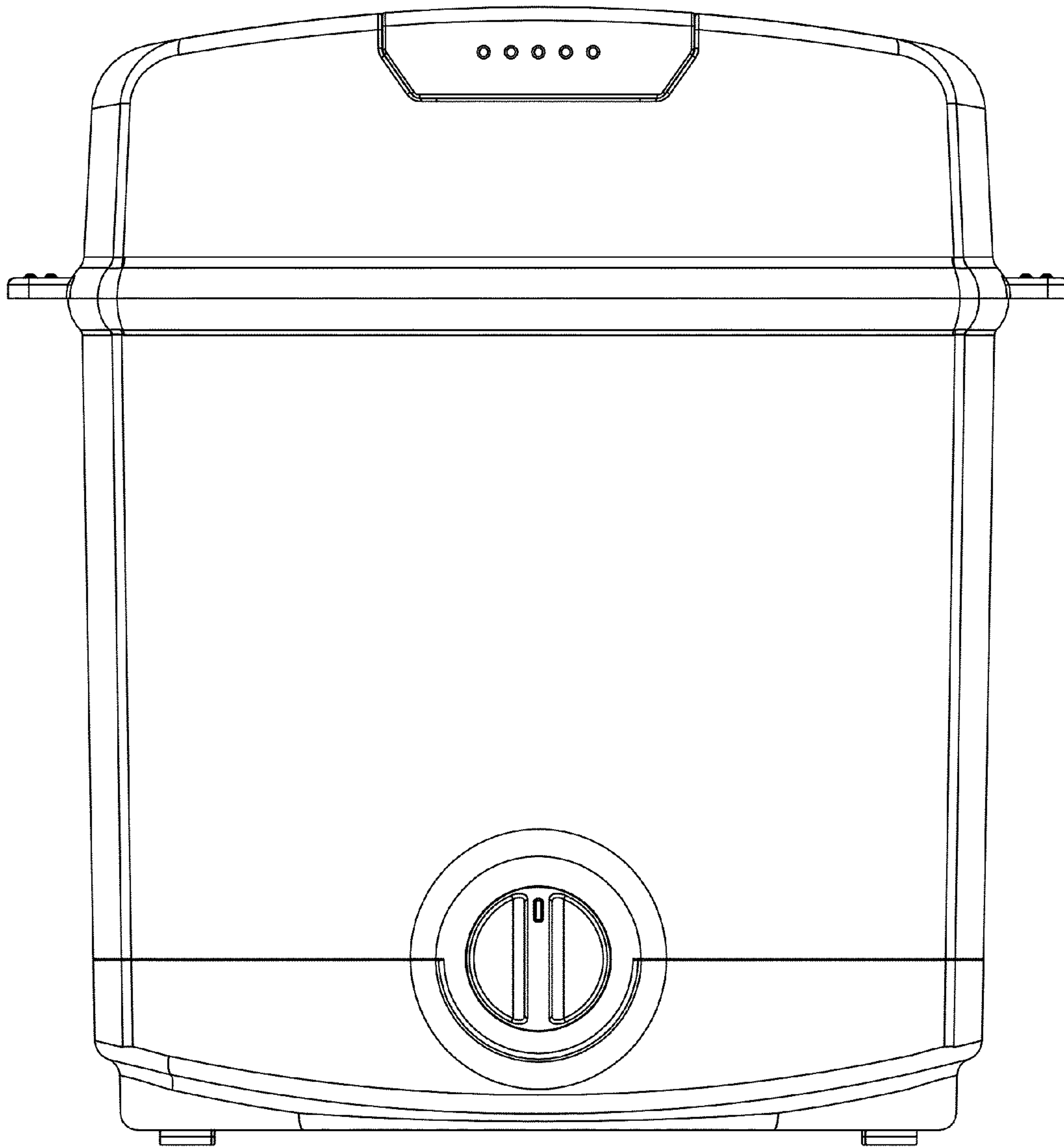


FIG. 1

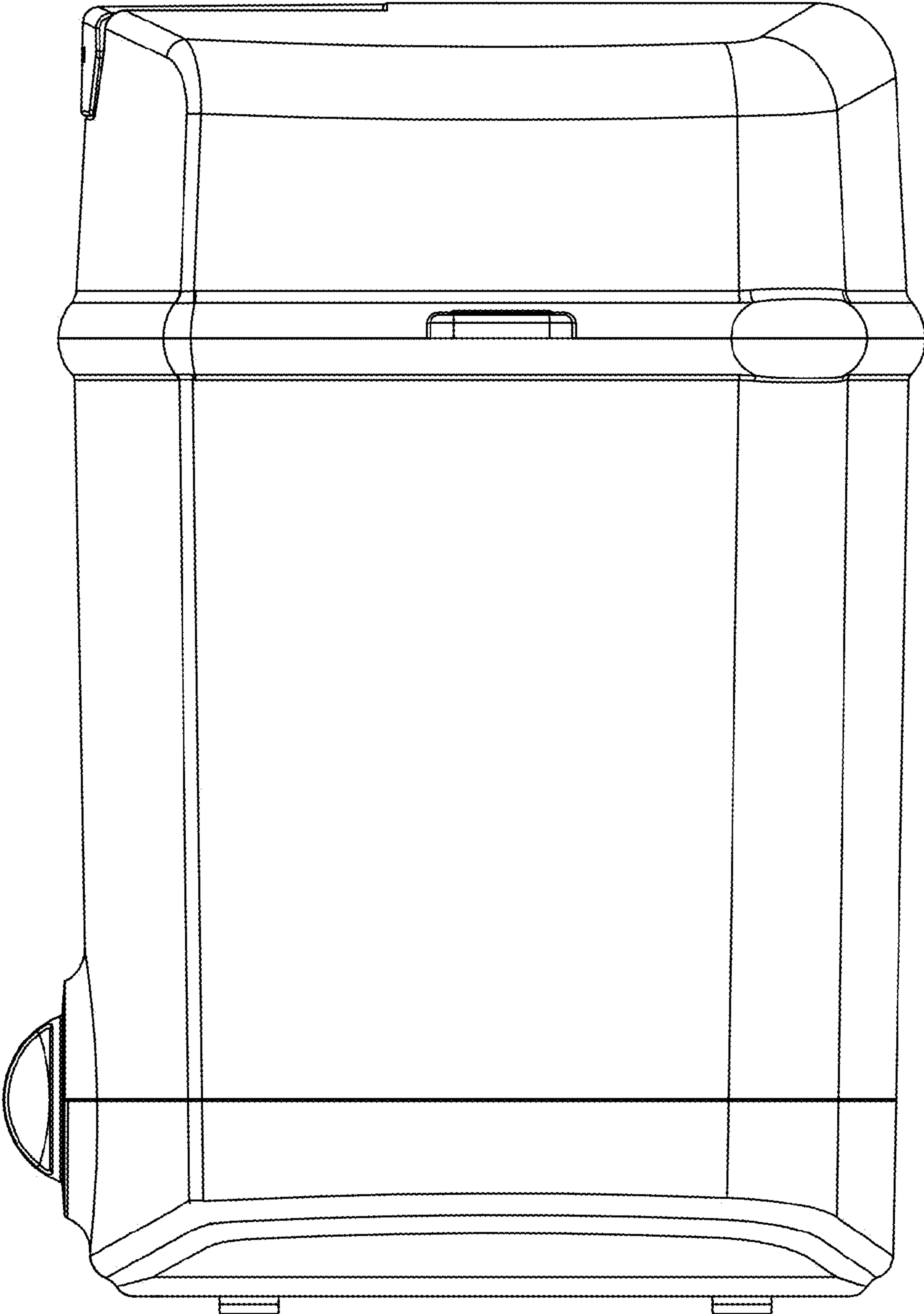


FIG. 2

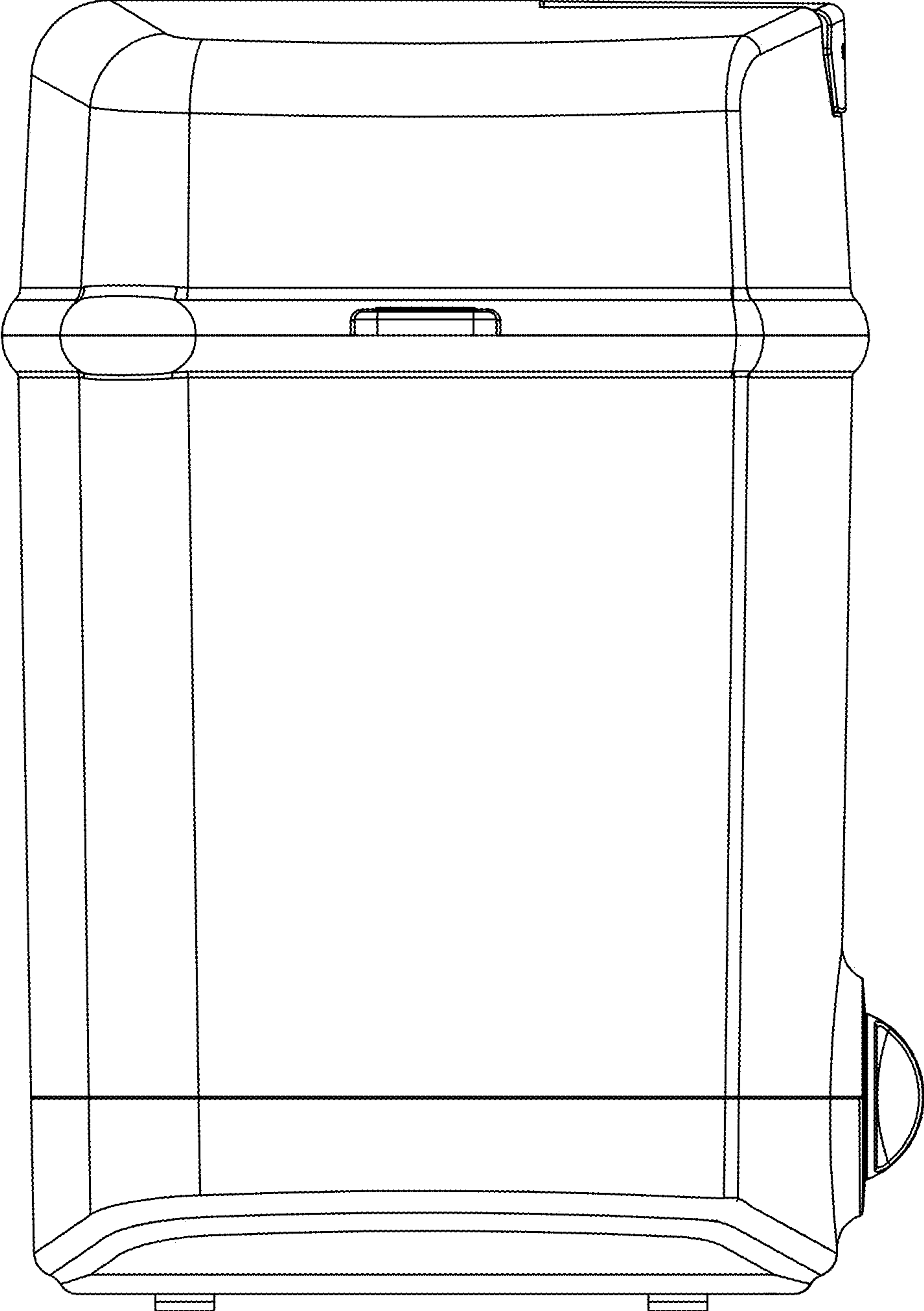


FIG. 3

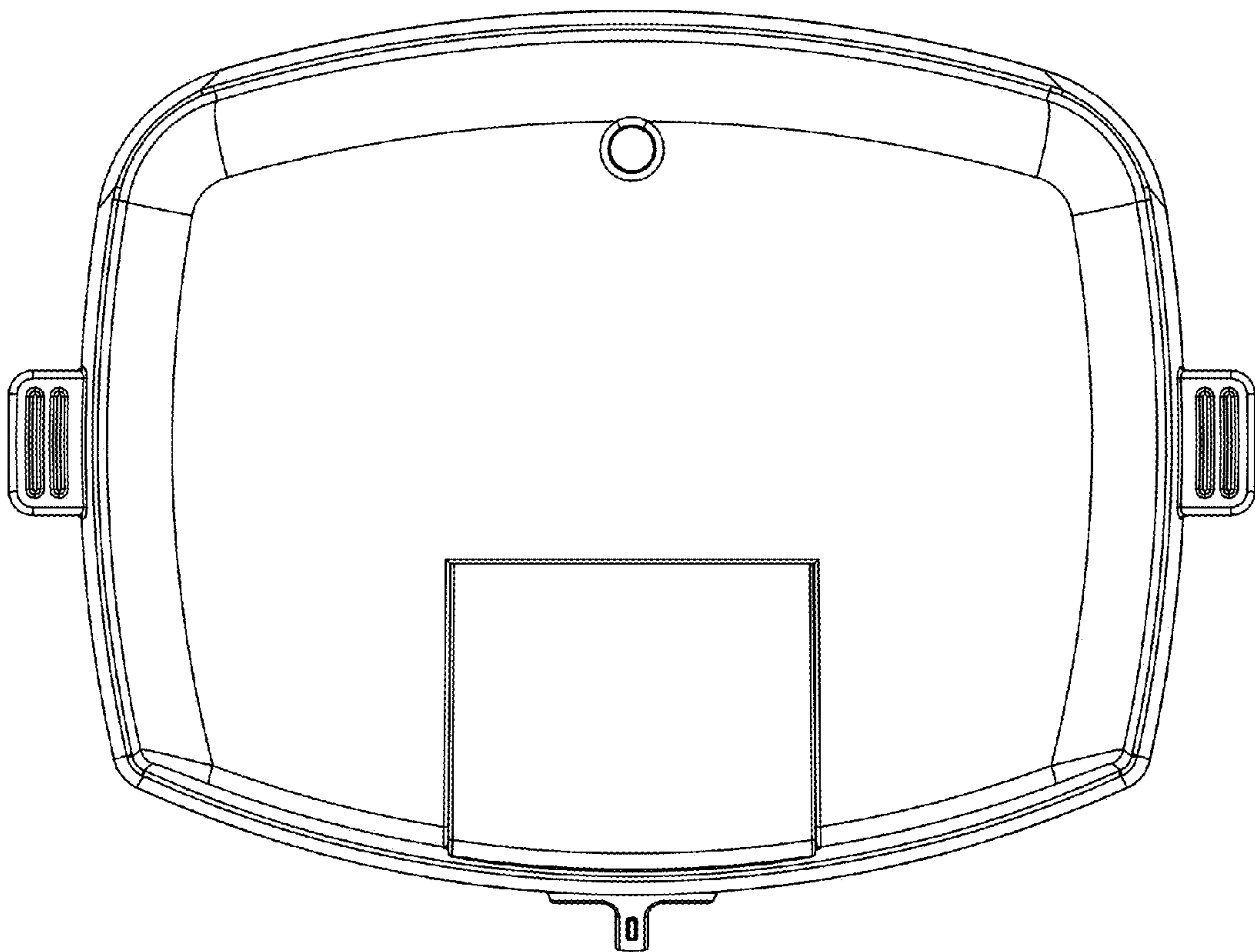


FIG. 4

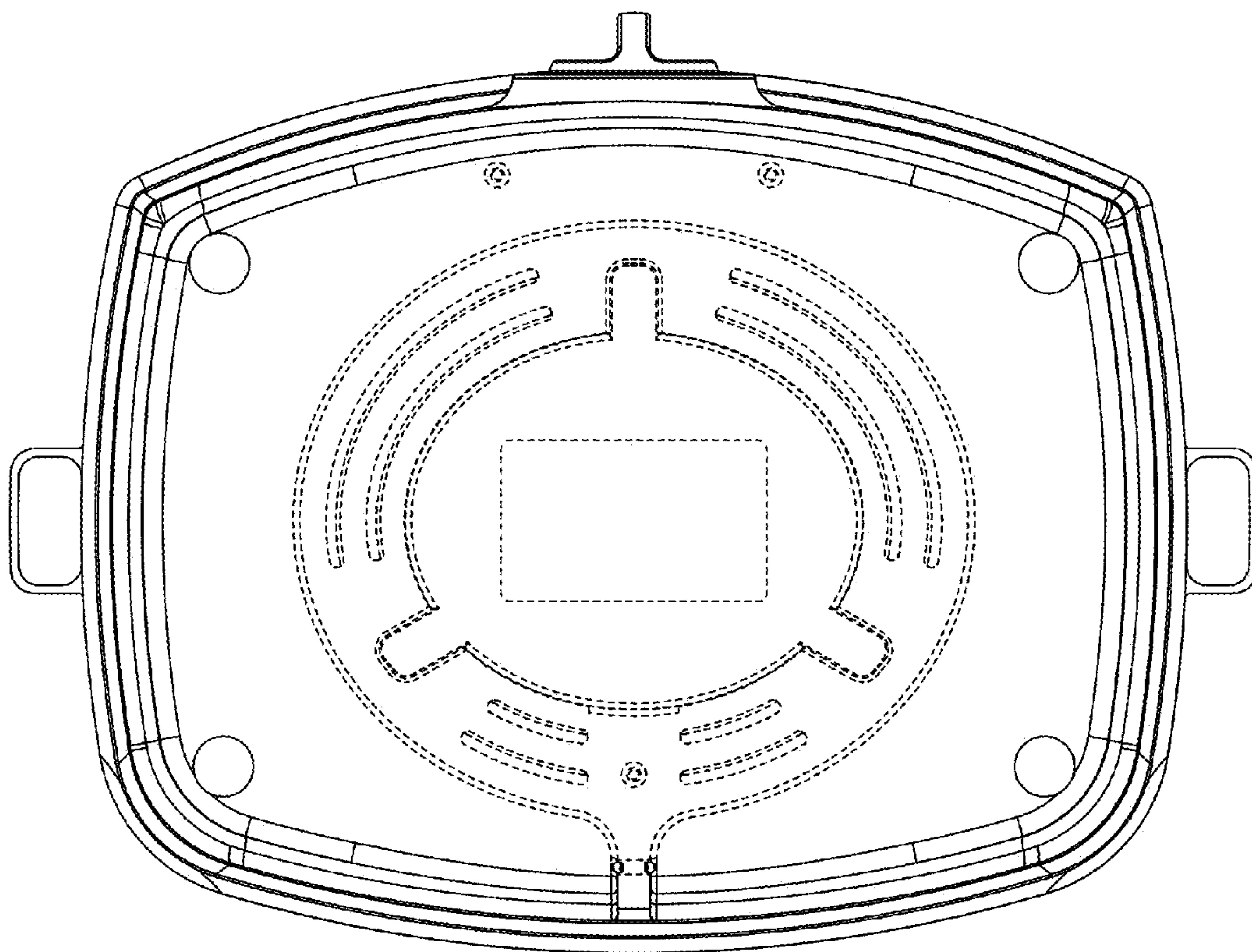


FIG. 5

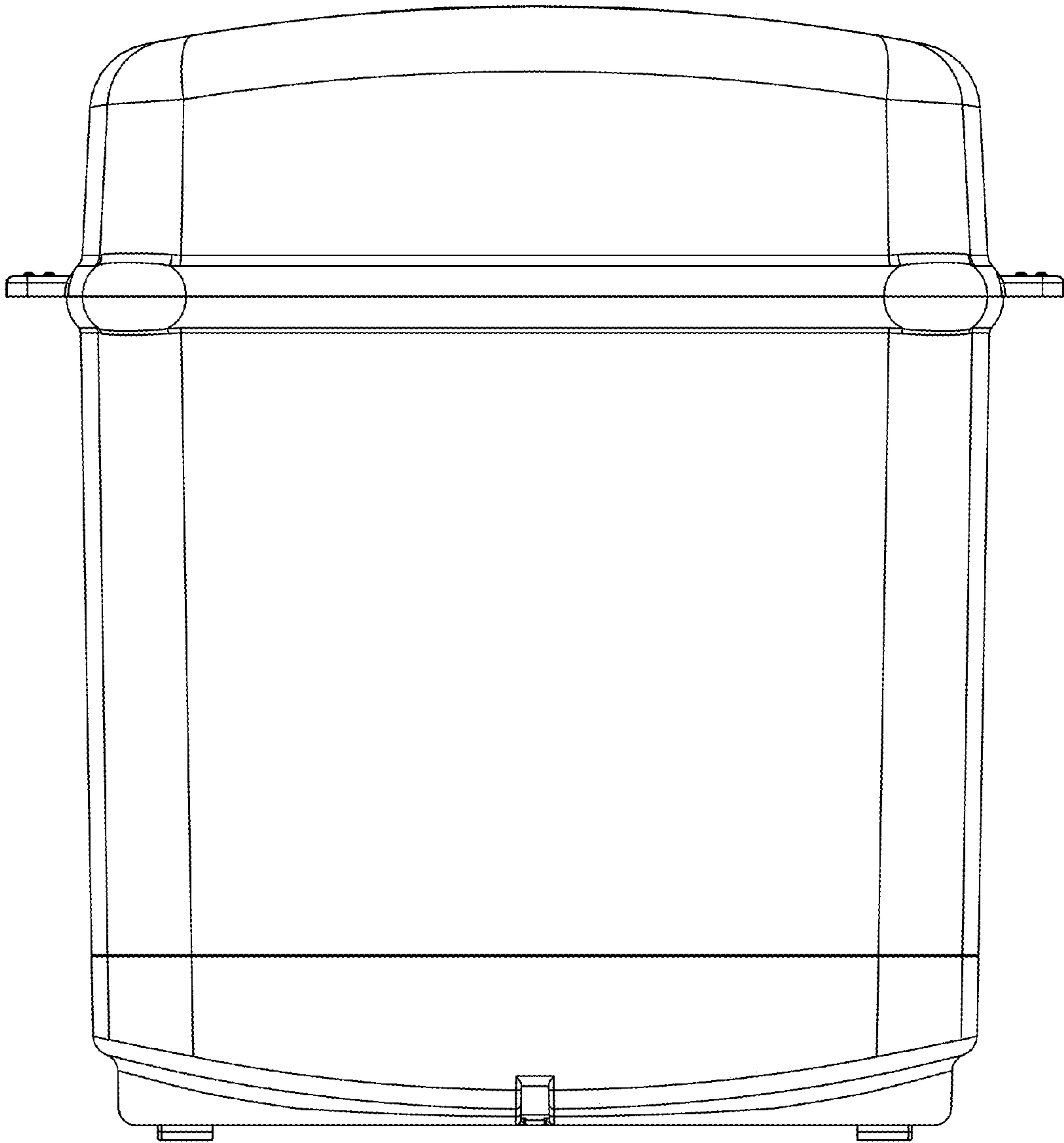


FIG. 6