



US00D704349S

(12) **United States Design Patent**  
**Williams et al.**

(10) **Patent No.:** **US D704,349 S**  
(45) **Date of Patent:** **\*\* May 6, 2014**

(54) **STERILIZER**  
(75) Inventors: **Evan Williams**, Hoboken, NJ (US);  
**Charles Renz**, Briarcliff Manor, NY (US)  
(73) Assignee: **Eveready Battery Company, Inc.**, St. Louis, MO (US)  
(\*\*) Term: **14 Years**  
(21) Appl. No.: **29/427,534**  
(22) Filed: **Jul. 19, 2012**  
(51) **LOC (10) Cl.** ..... **24-01**  
(52) **U.S. Cl.**  
USPC ..... **D24/217**  
(58) **Field of Classification Search**  
USPC ..... D24/216, 217, 218, 224, 227, 231, 194,  
D24/197; D3/203.1, 264, 294; D9/420, 423,  
D9/432; 422/20, 21, 22, 24, 26, 297, 300,  
422/303; 220/529, 735; 206/370, 438;  
D32/1; D7/326, 538, 629  
See application file for complete search history.

D360,697	S	7/1995	Riihimaki et al.	
5,433,929	A	7/1995	Riihimaki et al.	
D365,882	S	1/1996	Allegre	
5,690,852	A	11/1997	Saito et al.	
D441,457	S	5/2001	Neiner et al.	
6,365,115	B1	4/2002	Wood	
D463,076	S *	9/2002	Nottingham et al.	D24/217
6,987,273	B1	1/2006	Okuda et al.	
D554,762	S	11/2007	Delaney	
D557,814	S	12/2007	Glenn et al.	
D593,262	S *	5/2009	Gong	D24/217
7,544,336	B2	6/2009	Powell	
D642,853	S *	8/2011	Tse	D7/325
D669,595	S *	10/2012	Schofield	D24/217
D679,825	S *	4/2013	Elkerbout et al.	D24/217
D680,225	S *	4/2013	Boonprasop	D24/217
D685,231	S *	7/2013	Lane	D7/629
D686,743	S *	7/2013	Gooch	D24/217
2003/0124024	A1	7/2003	Chang	
2008/0206118	A1	8/2008	Smith	
2010/0166618	A1	7/2010	Delaney	
2011/0020193	A1	1/2011	Lee	

\* cited by examiner

*Primary Examiner* — Anhdao Doan

(74) *Attorney, Agent, or Firm* — Energizer Personal Care, LLC

(56) **References Cited**  
U.S. PATENT DOCUMENTS

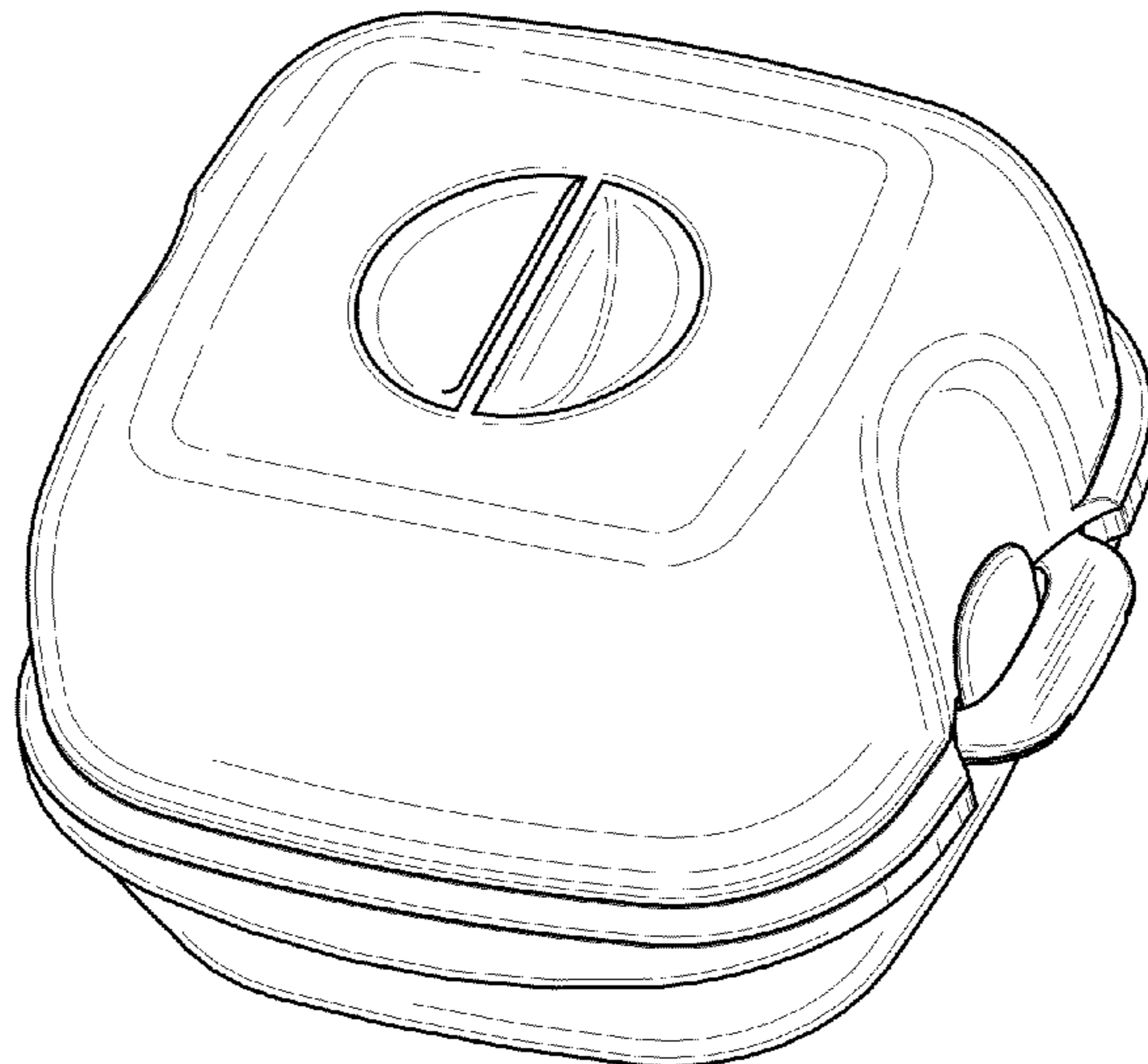
1,951,099	A	3/1934	Meyerson	
D176,310	S *	12/1955	Schulz et al.	D24/217
4,643,303	A	2/1987	Arp et al.	
D295,074	S	4/1988	Jerge et al.	
D295,075	S	4/1988	Jerge et al.	
4,798,292	A	1/1989	Hauze	
D305,261	S *	12/1989	Hobbs	D24/217
4,959,199	A	9/1990	Brewer	
D315,039	S *	2/1991	Wortham	D32/1
5,173,273	A	12/1992	Brewer	
5,213,776	A	5/1993	Maniero et al.	
5,279,800	A	1/1994	Berry, Jr.	
5,294,413	A	3/1994	Riihimaki et al.	
5,340,551	A	8/1994	Berry, Jr.	
D358,658	S *	5/1995	Chen	D24/218

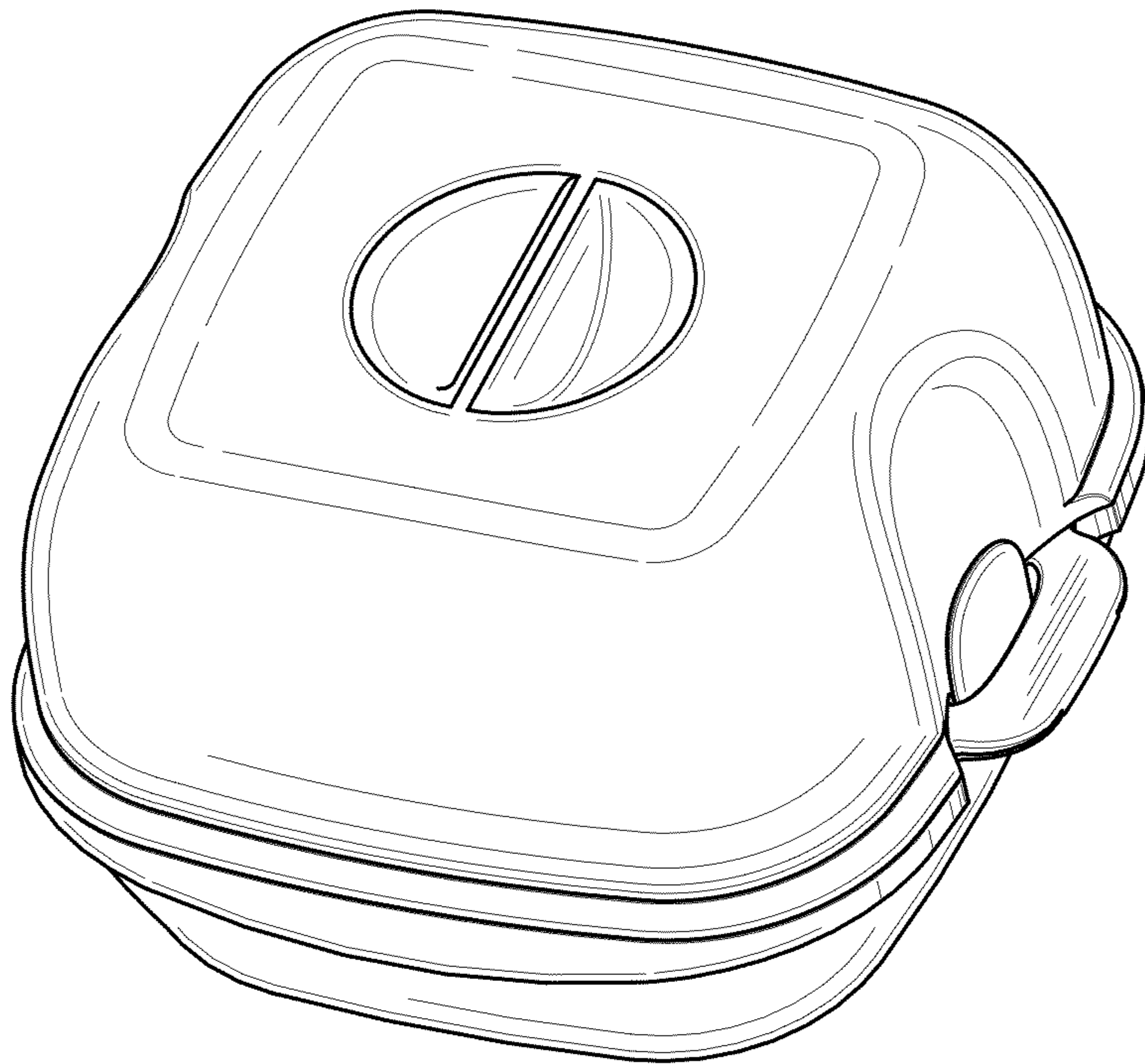
(57) **CLAIM**  
The ornamental design for a sterilizer, as shown and described.

**DESCRIPTION**

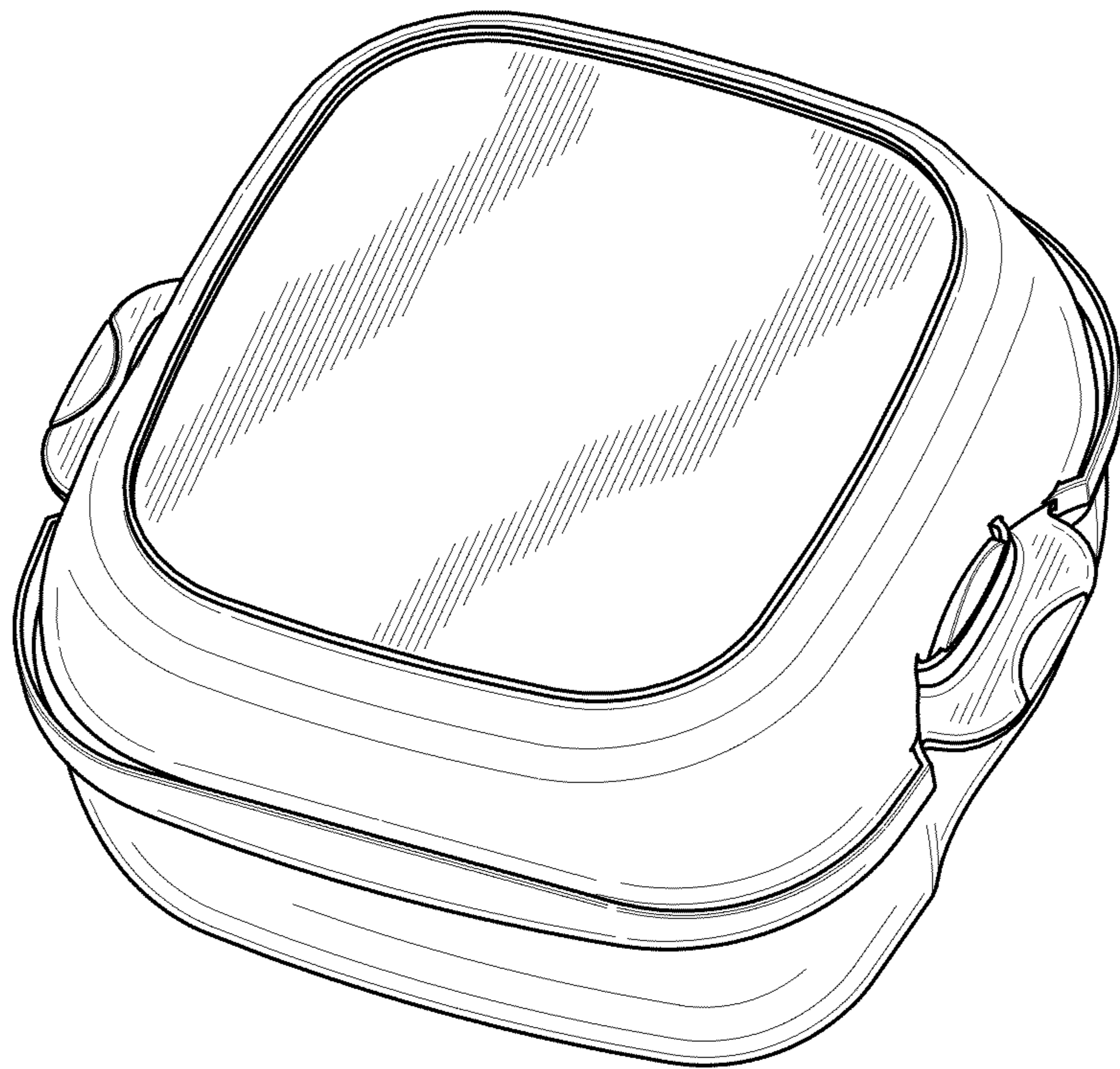
FIG. 1 is an upper perspective view of a sterilizer.  
FIG. 2 is an bottom perspective view thereof.  
FIG. 3 is a top view thereof.  
FIG. 4 is a bottom view thereof.  
FIG. 5 is a left side view thereof.  
FIG. 6 is a right side view of FIG. 5.  
FIG. 7 is a front view of FIG. 5; and,  
FIG. 8 is a rear view of FIG. 5.

**1 Claim, 5 Drawing Sheets**

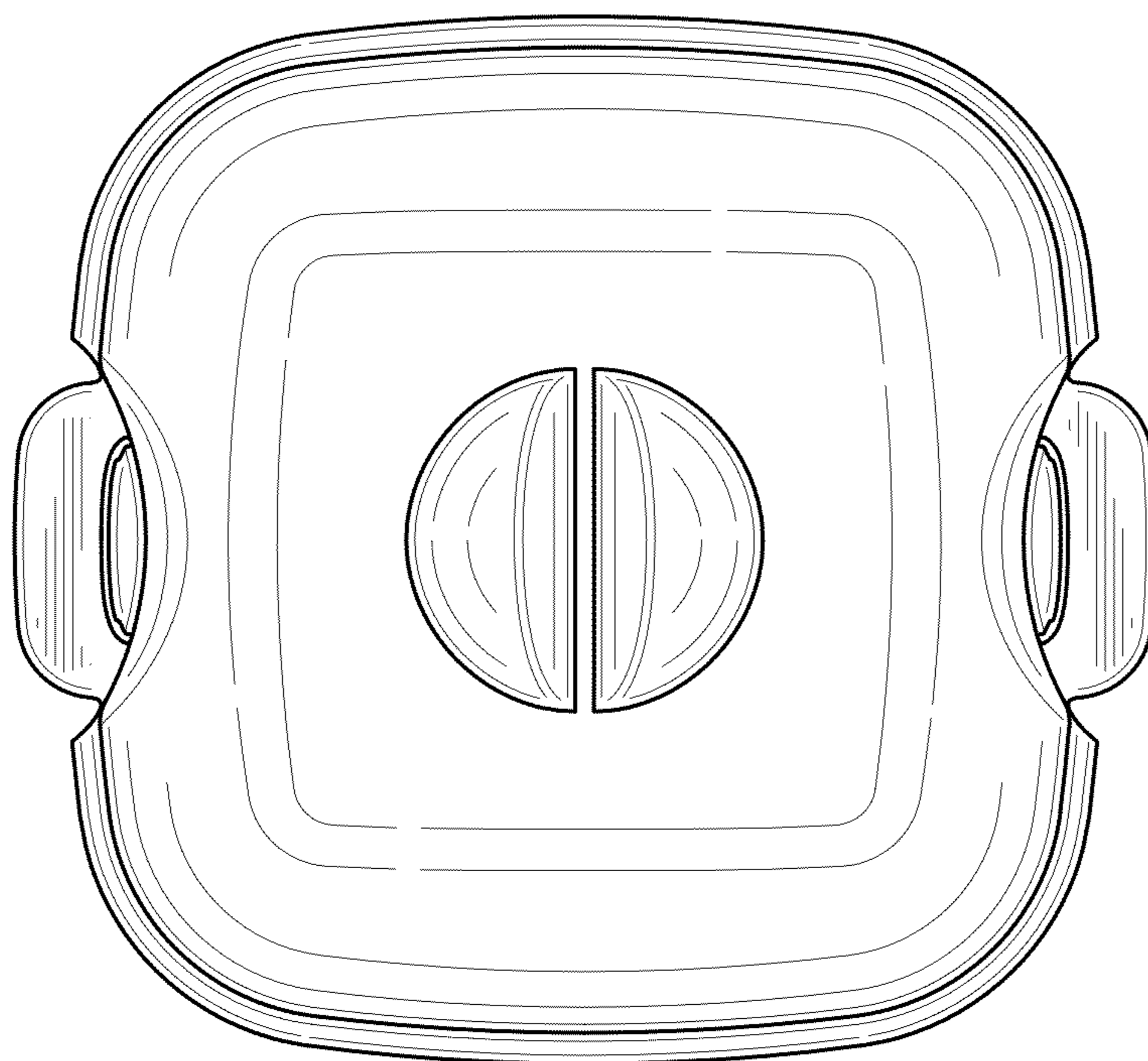




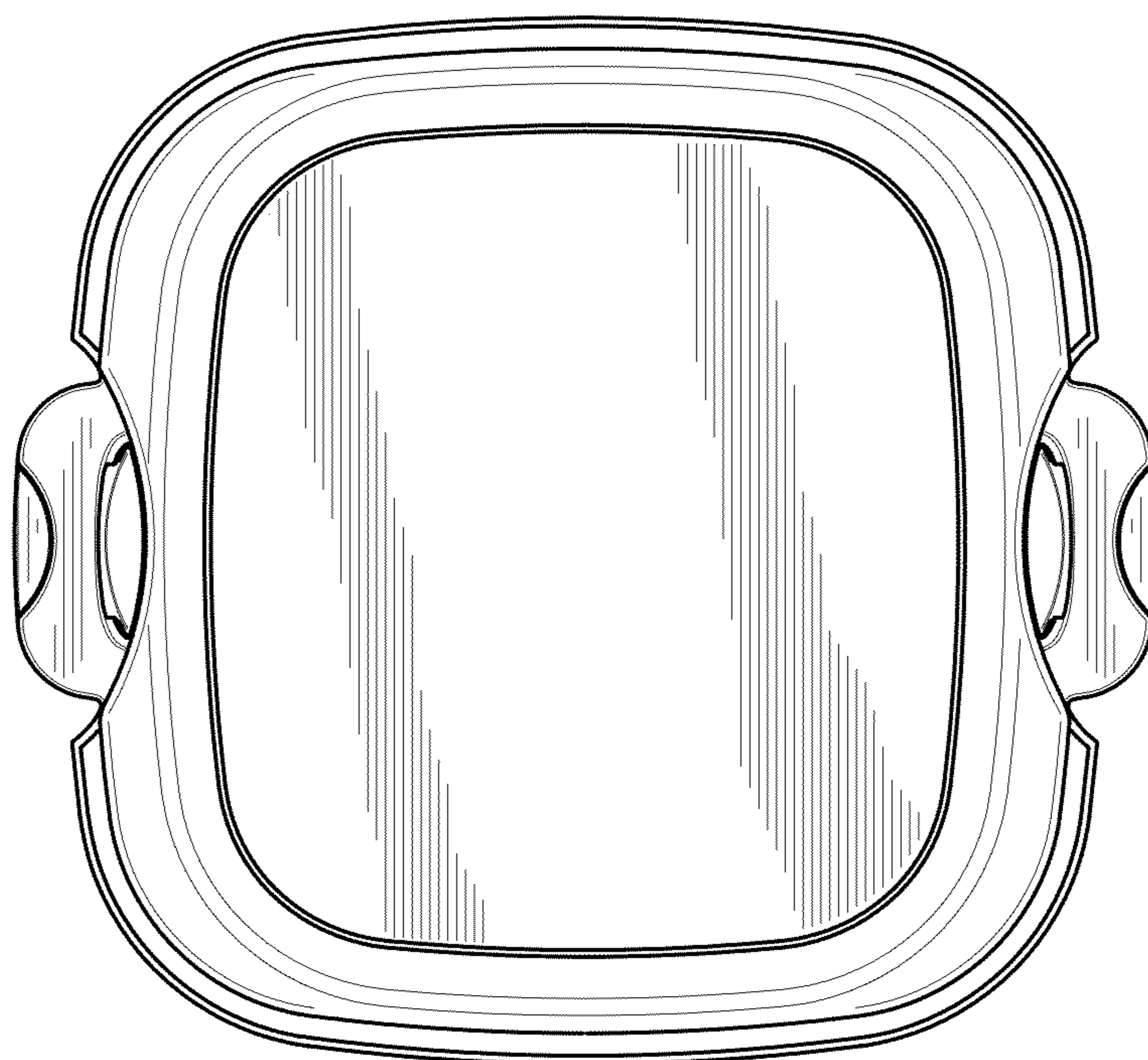
**FIG. 1**



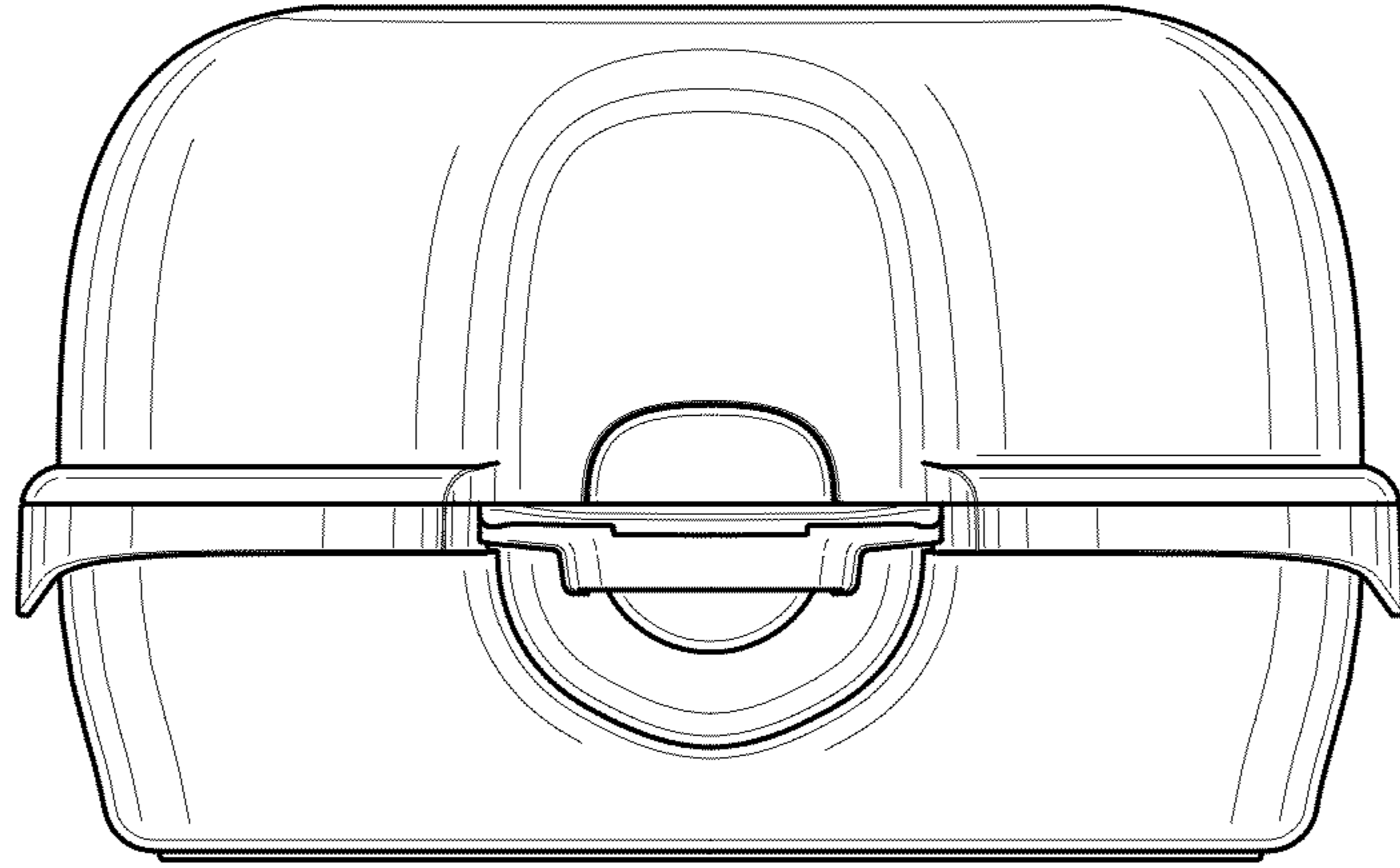
**FIG. 2**



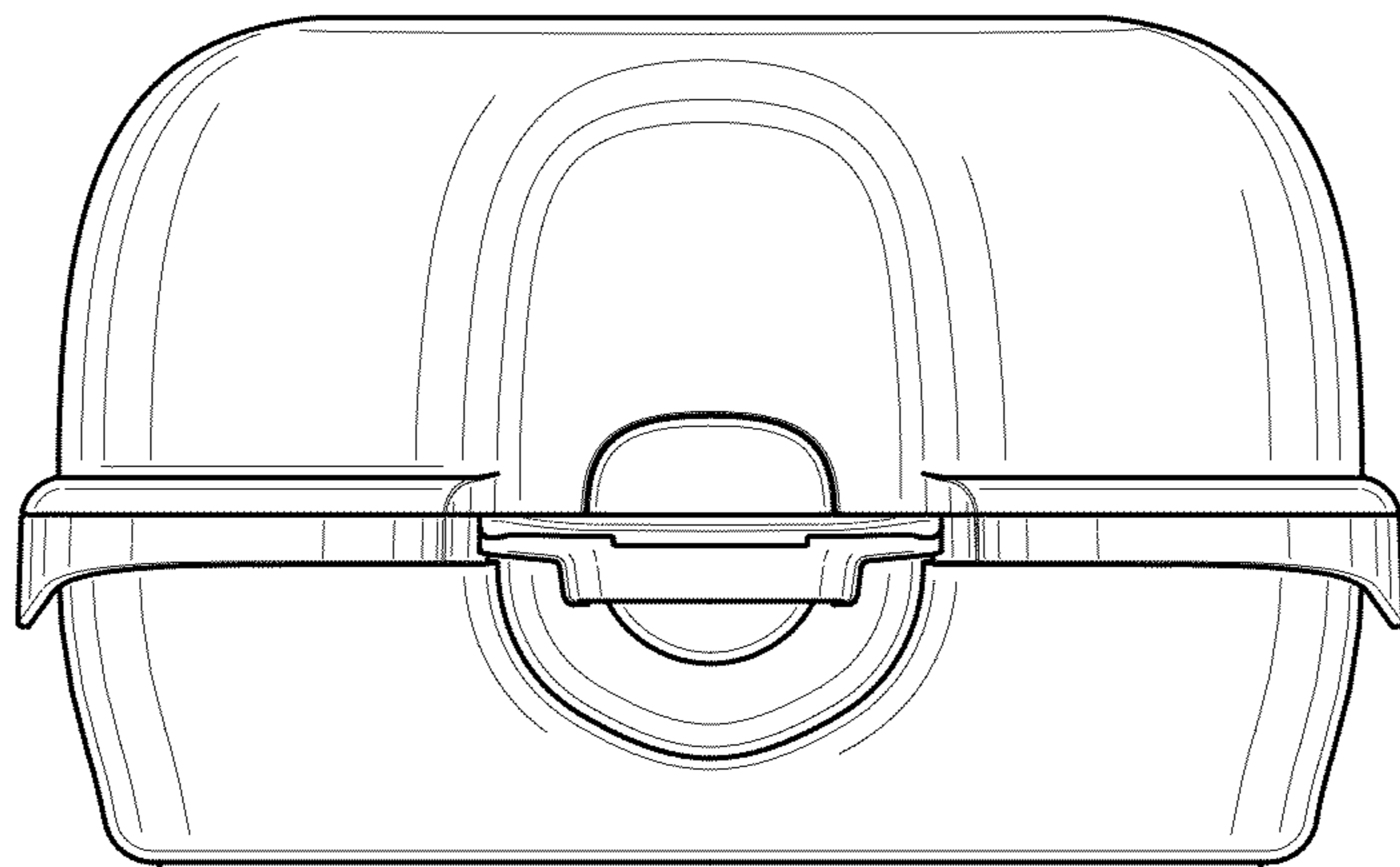
**FIG. 3**



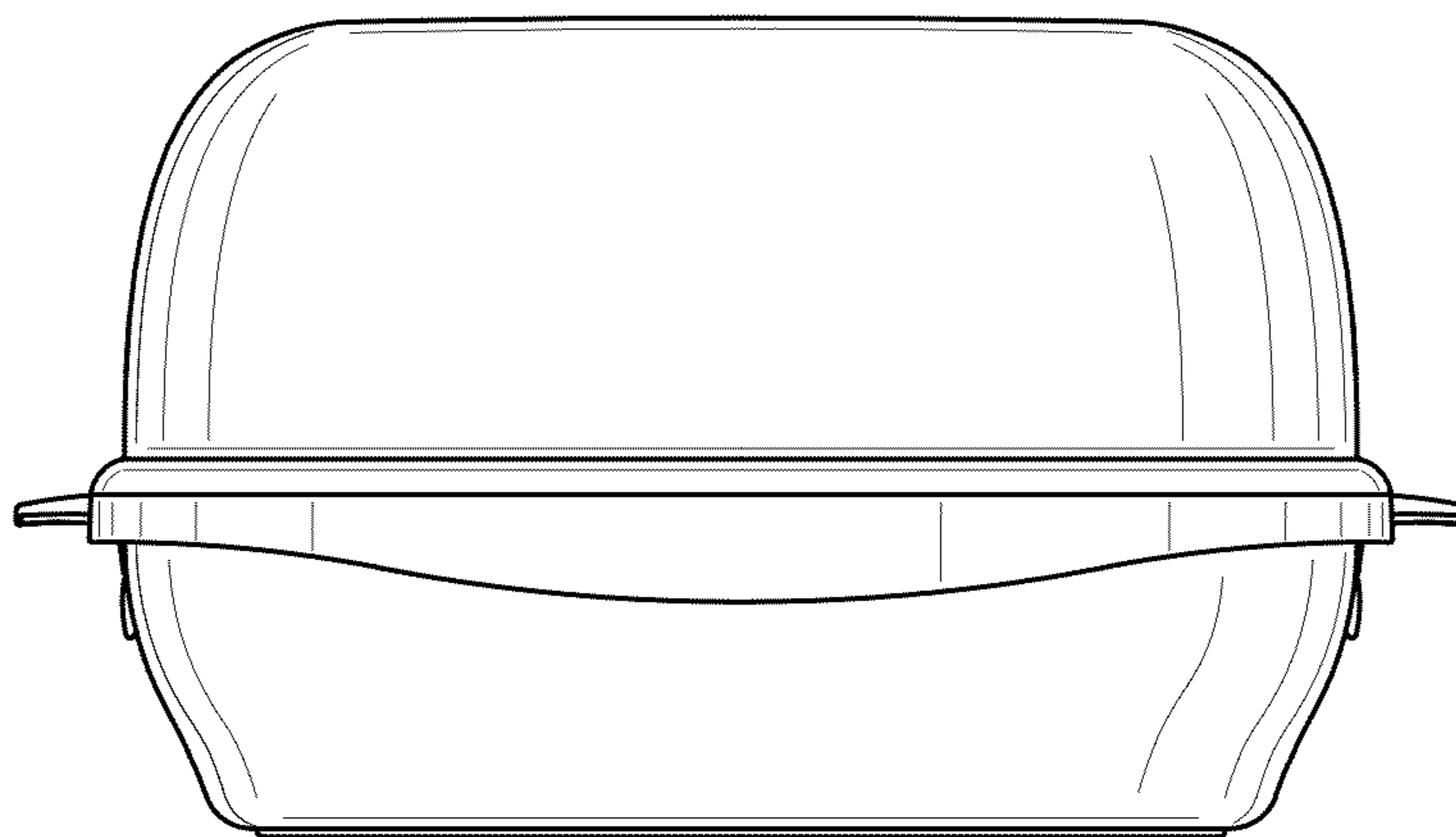
**FIG. 4**



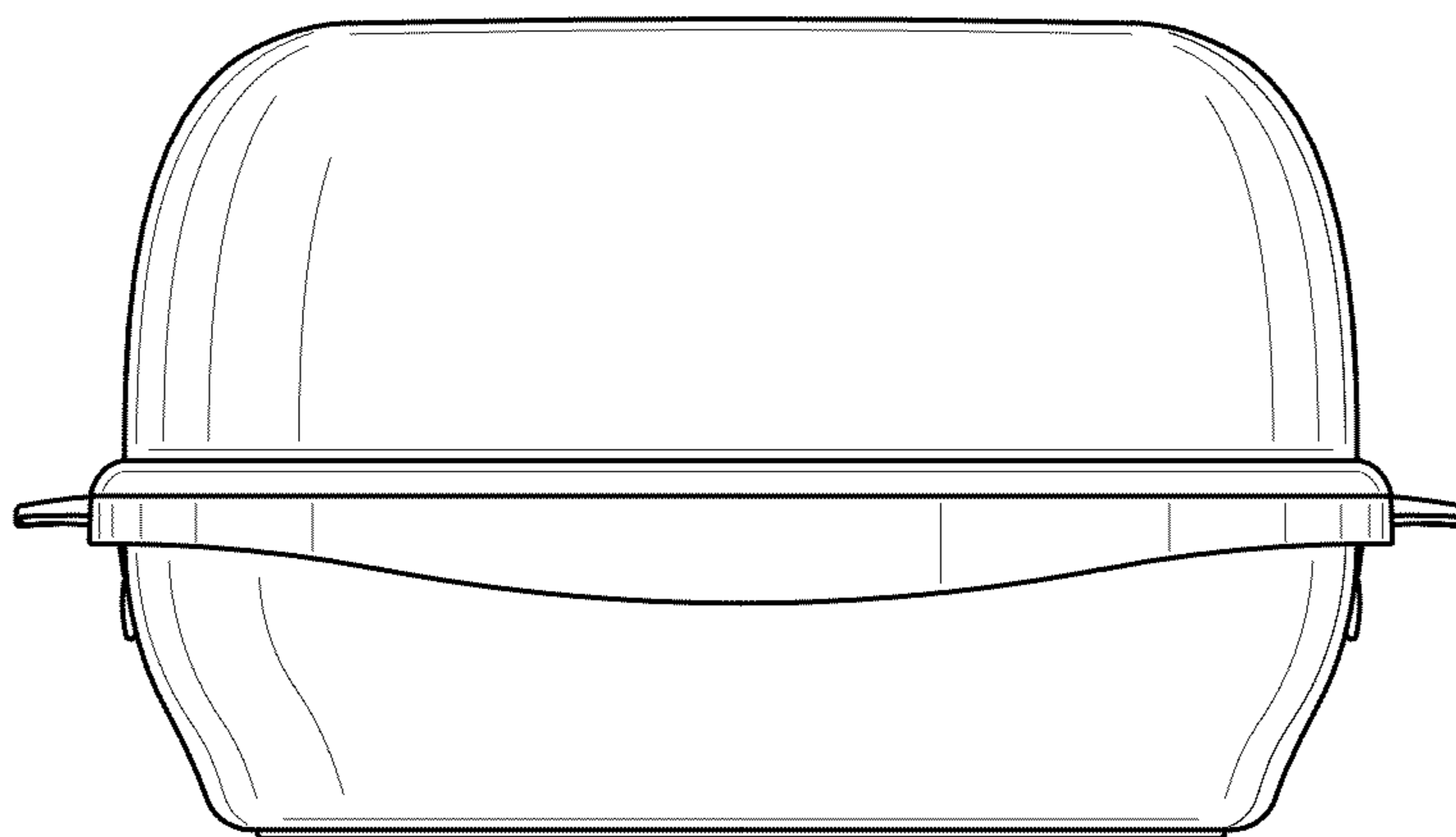
**FIG. 5**



**FIG. 6**



**FIG. 7**



**FIG. 8**