



US00D704348S

(12) **United States Design Patent**  
**Shibata et al.**

(10) **Patent No.:** **US D704,348 S**

(45) **Date of Patent:** **\*\* May 6, 2014**

(54) **AUTOMATIC ANALYZER**

(71) Applicant: **Sysmex Corporation**, Kobe (JP)

(72) Inventors: **Fumie Shibata**, Tokyo (JP); **Yuichiro Ohmae**, Kobe (JP); **Hidetaka Hayama**, Kobe (JP)

(73) Assignee: **Sysmex Corporation**, Kobe (JP)

(\*\*) Term: **14 Years**

(21) Appl. No.: **29/462,514**

(22) Filed: **Aug. 5, 2013**

(30) **Foreign Application Priority Data**

Feb. 8, 2013 (JP) ..... 2013-002566

(51) **LOC (10) Cl.** ..... **24-01**

(52) **U.S. Cl.**  
USPC ..... **D24/216**

(58) **Field of Classification Search**

USPC ..... D24/216, 217, 219, 223, 231, 232, 233,  
D24/107, 169, 186; D10/81; 422/500, 547,  
422/62-65, 67; 435/287.1, 287.3; 436/43,  
436/45, 47

See application file for complete search history.

(56) **References Cited**

**U.S. PATENT DOCUMENTS**

D368,143 S \* 3/1996 Willows et al. .... D24/232  
D549,827 S \* 8/2007 Maeno et al. .... D24/169

D670,402 S \* 11/2012 Shibata ..... D24/216  
D682,441 S \* 5/2013 Kim ..... D24/216  
D691,732 S \* 10/2013 Shibata et al. .... D24/216  
D693,939 S \* 11/2013 Iseki ..... D24/216  
2010/0254854 A1 \* 10/2010 Rich et al. .... 422/64

\* cited by examiner

*Primary Examiner* — Anhdao Doan

(74) *Attorney, Agent, or Firm* — Brinks Gilson & Lione

(57) **CLAIM**

We claim the ornamental design for an automatic analyzer, as shown and described.

**DESCRIPTION**

FIG. 1 is a right side front perspective view of an automatic analyzer of the present invention;  
FIG. 2 is a left side front perspective view thereof;  
FIG. 3 is a front view thereof;  
FIG. 4 is a rear view thereof;  
FIG. 5 is a right side view thereof;  
FIG. 6 is a left side view thereof;  
FIG. 7 is a top view thereof;  
FIG. 8 is a bottom view thereof; and,  
FIG. 9 is a right side front perspective view thereof shown in an environmental use.

The broken lines shown represent unclaimed subject matter and form no part of the claimed design. Additionally, the unevenly broken lines in the drawings define the limits of the claimed design.

**1 Claim, 9 Drawing Sheets**

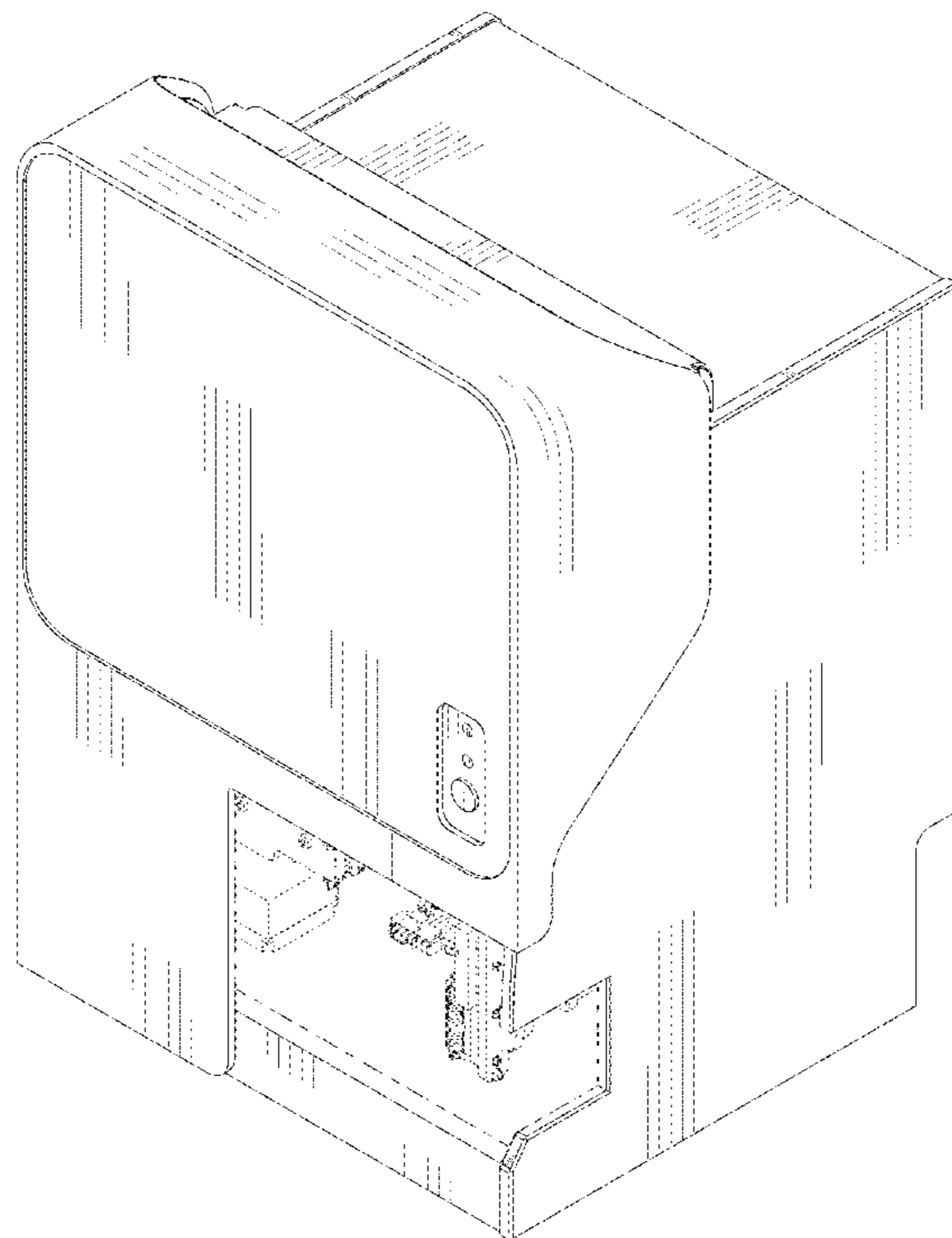


FIG. 1

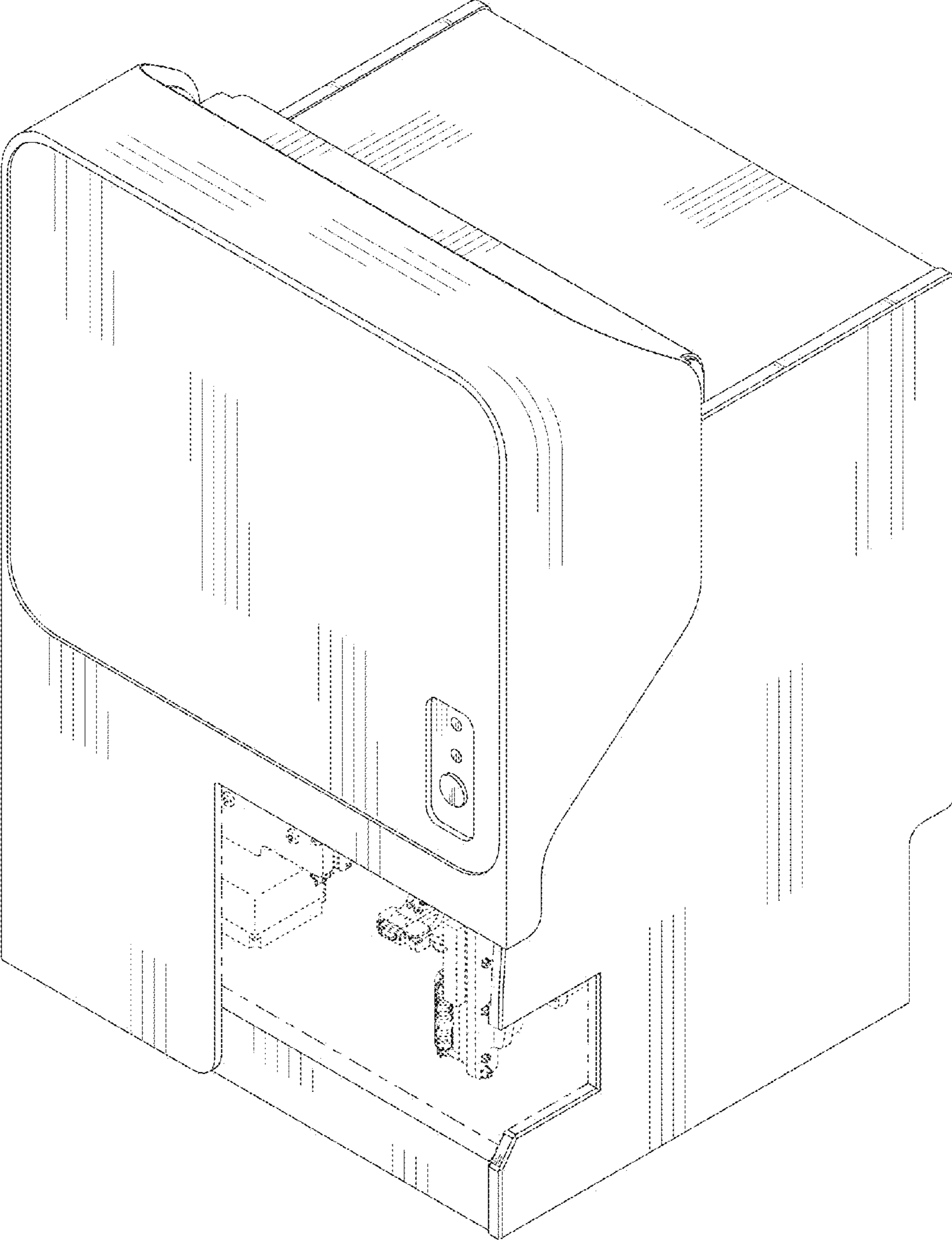


FIG.2

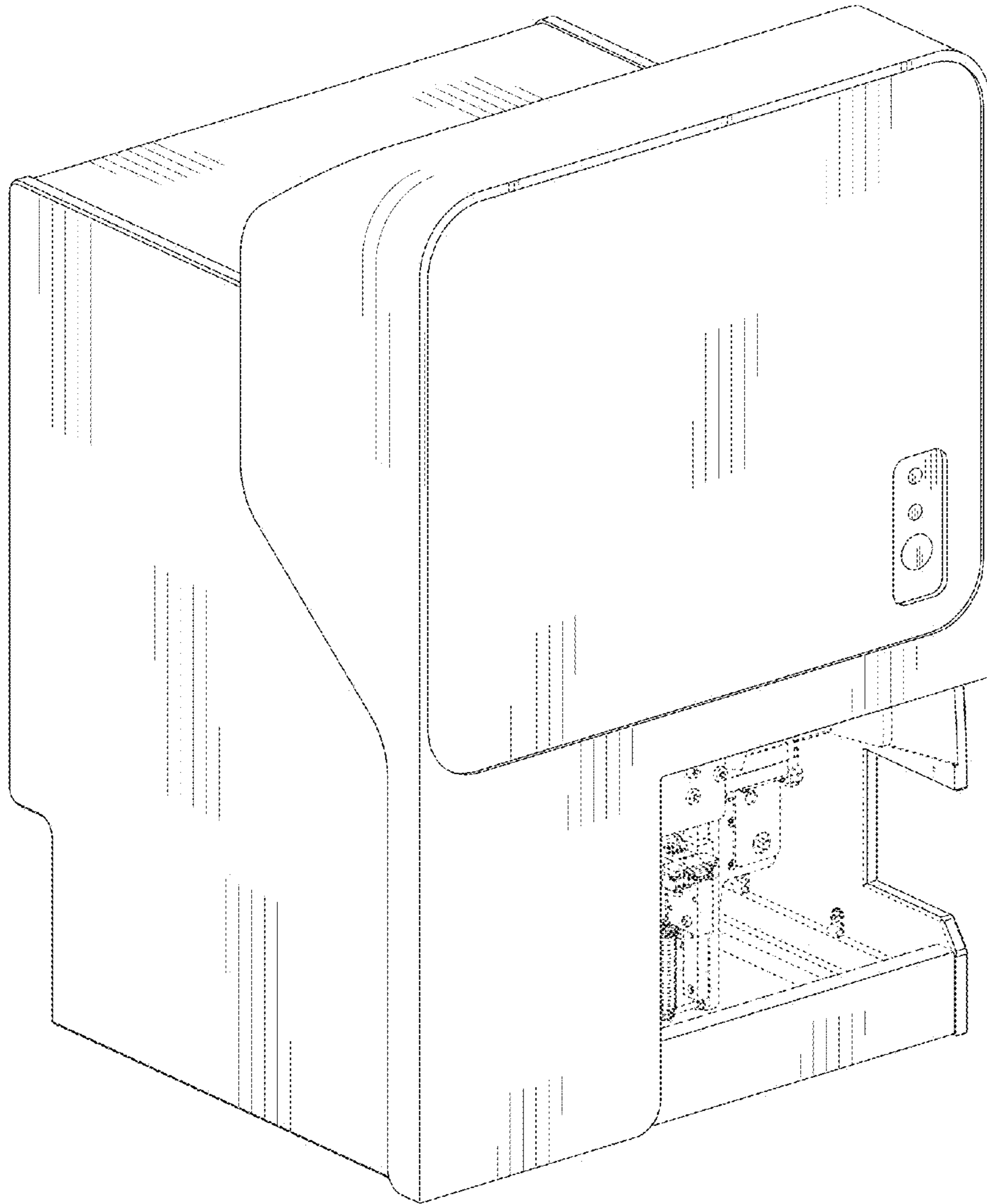


FIG. 3

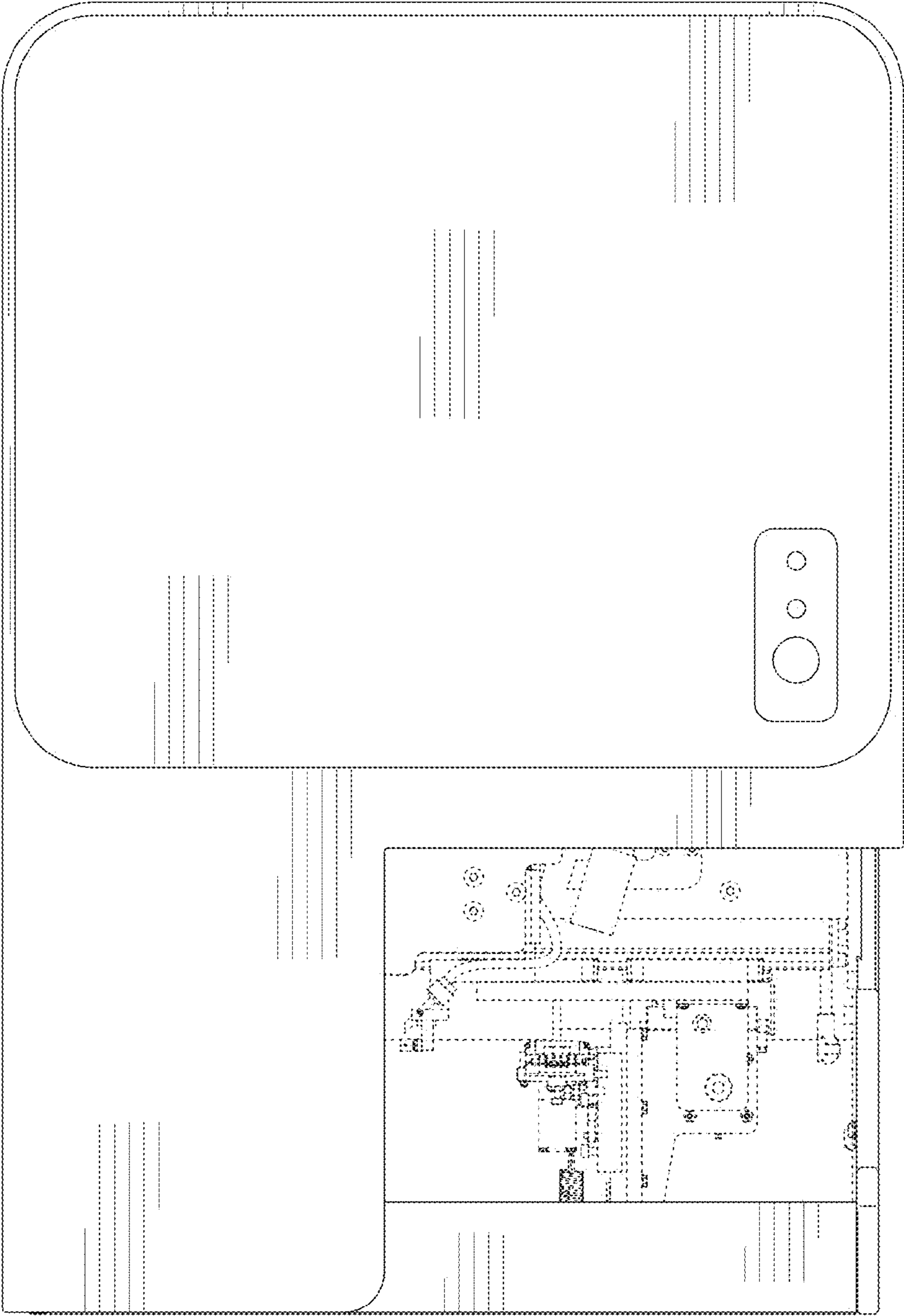


FIG.4

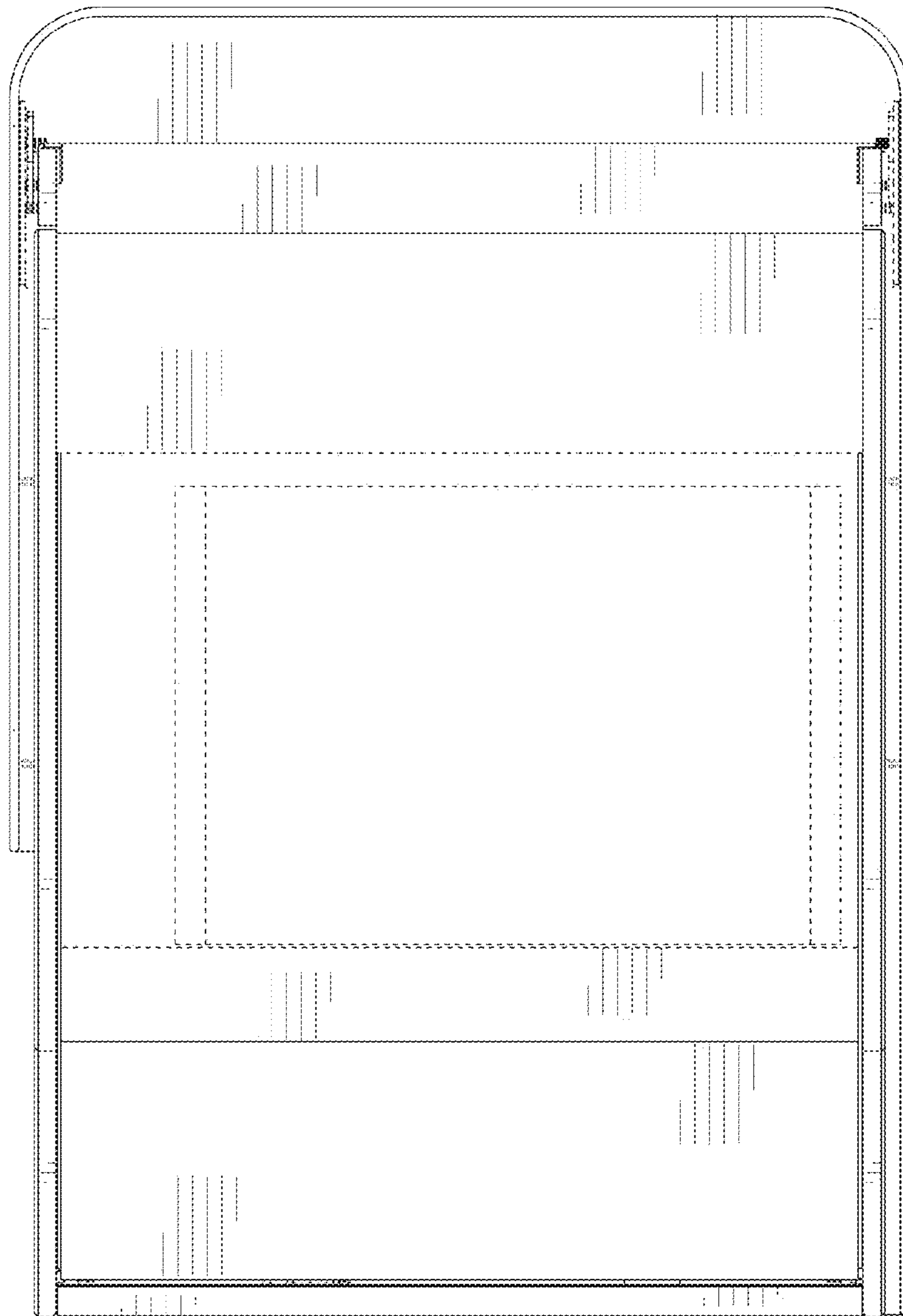




FIG. 5

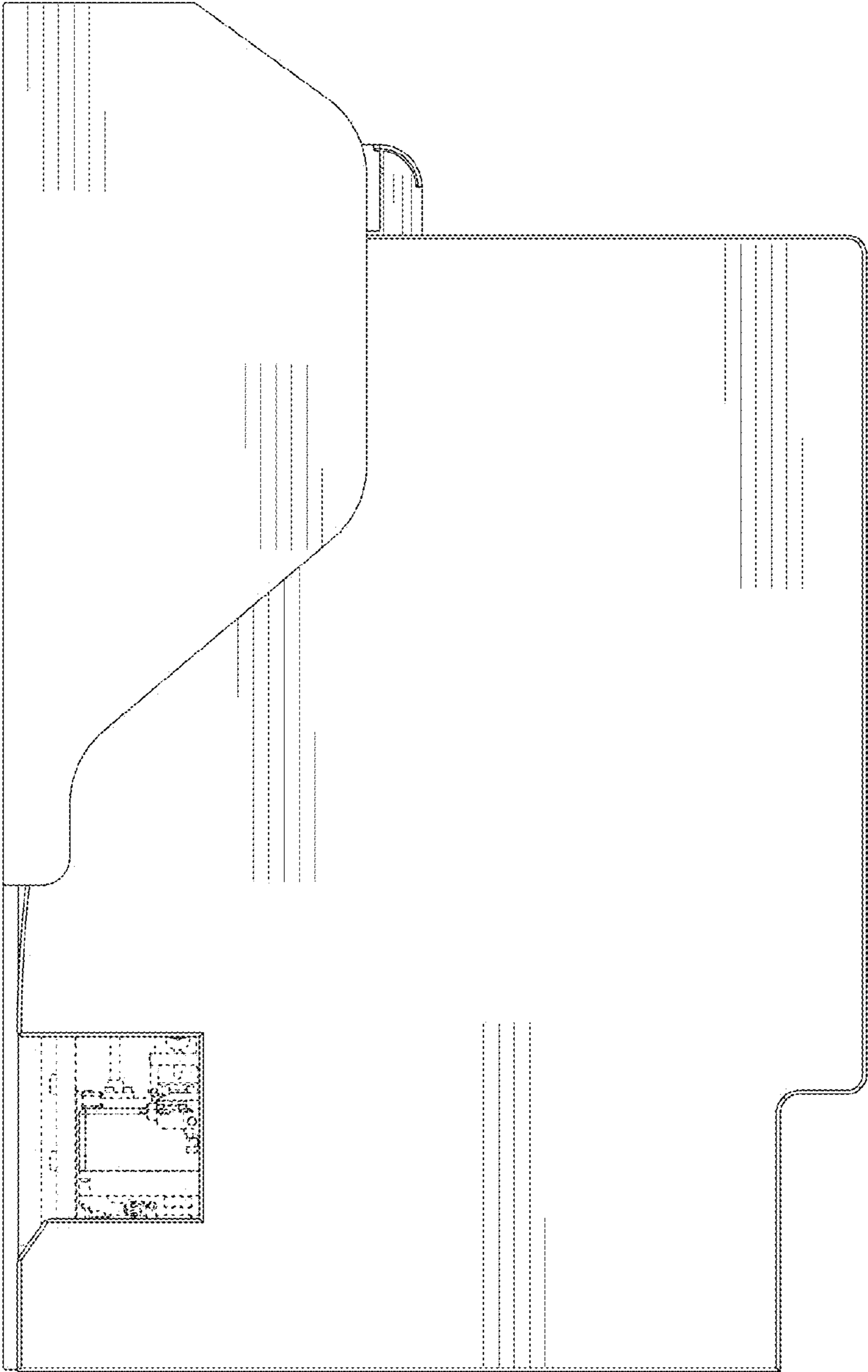


FIG. 6

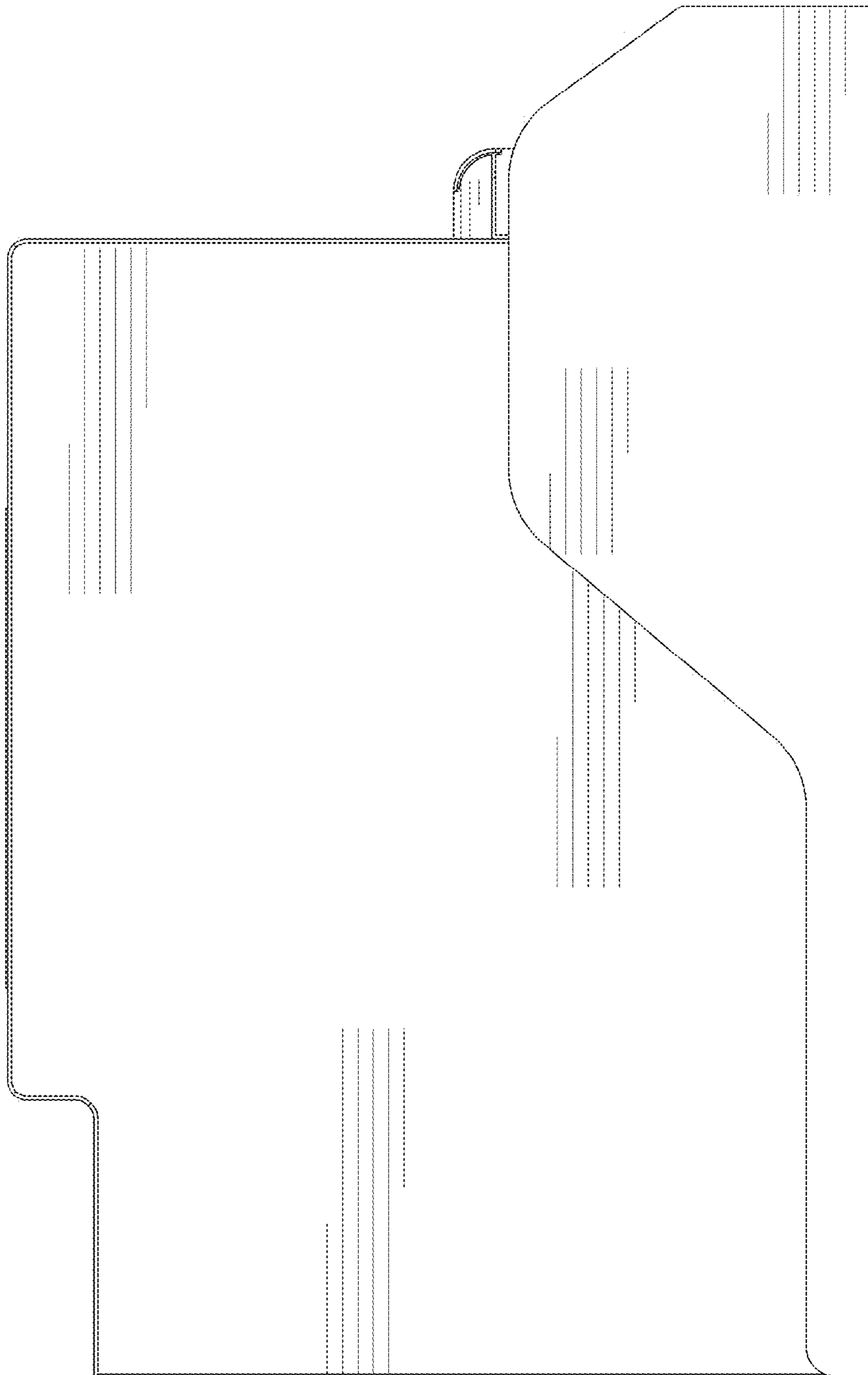


FIG. 7

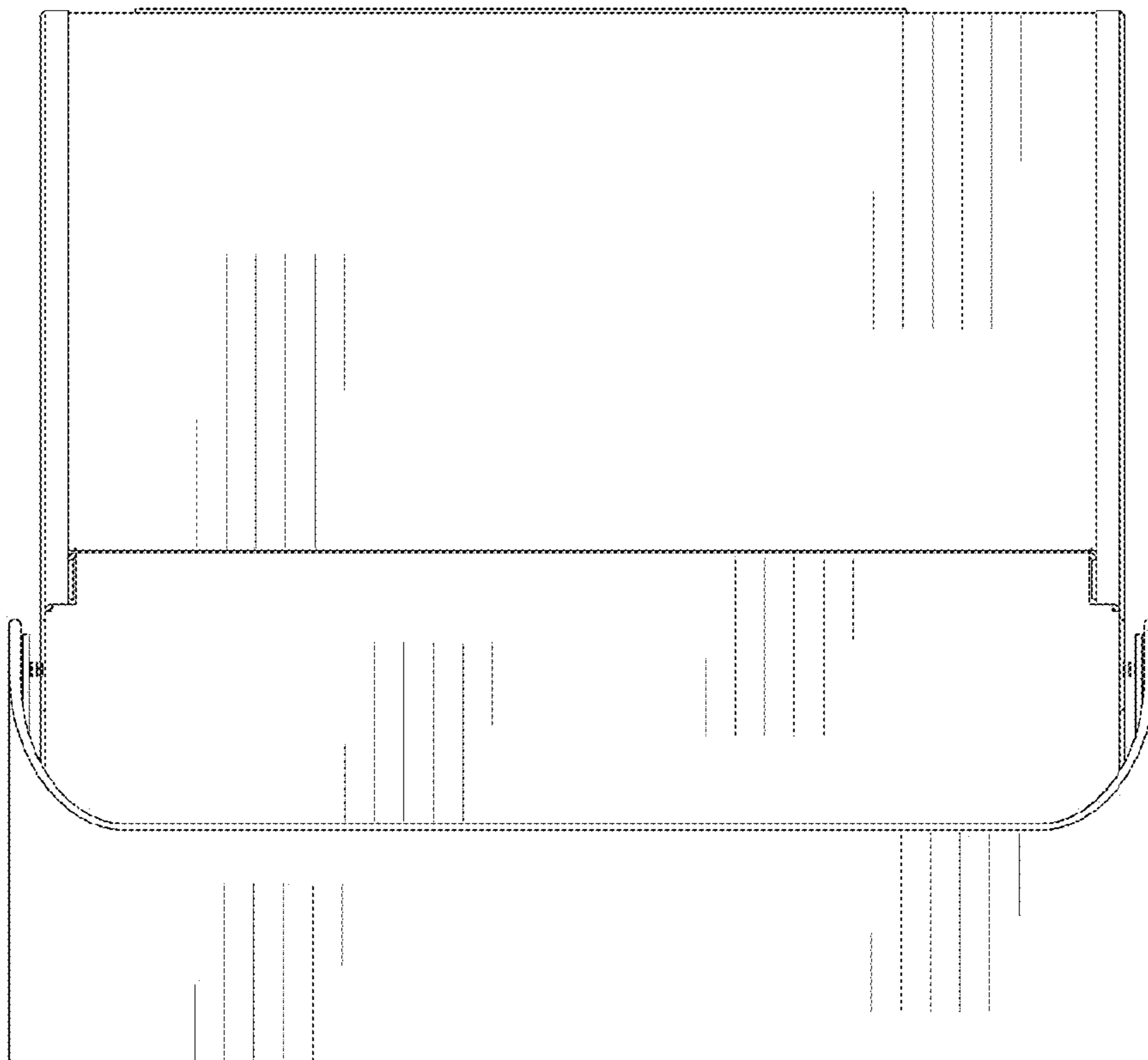




FIG. 8

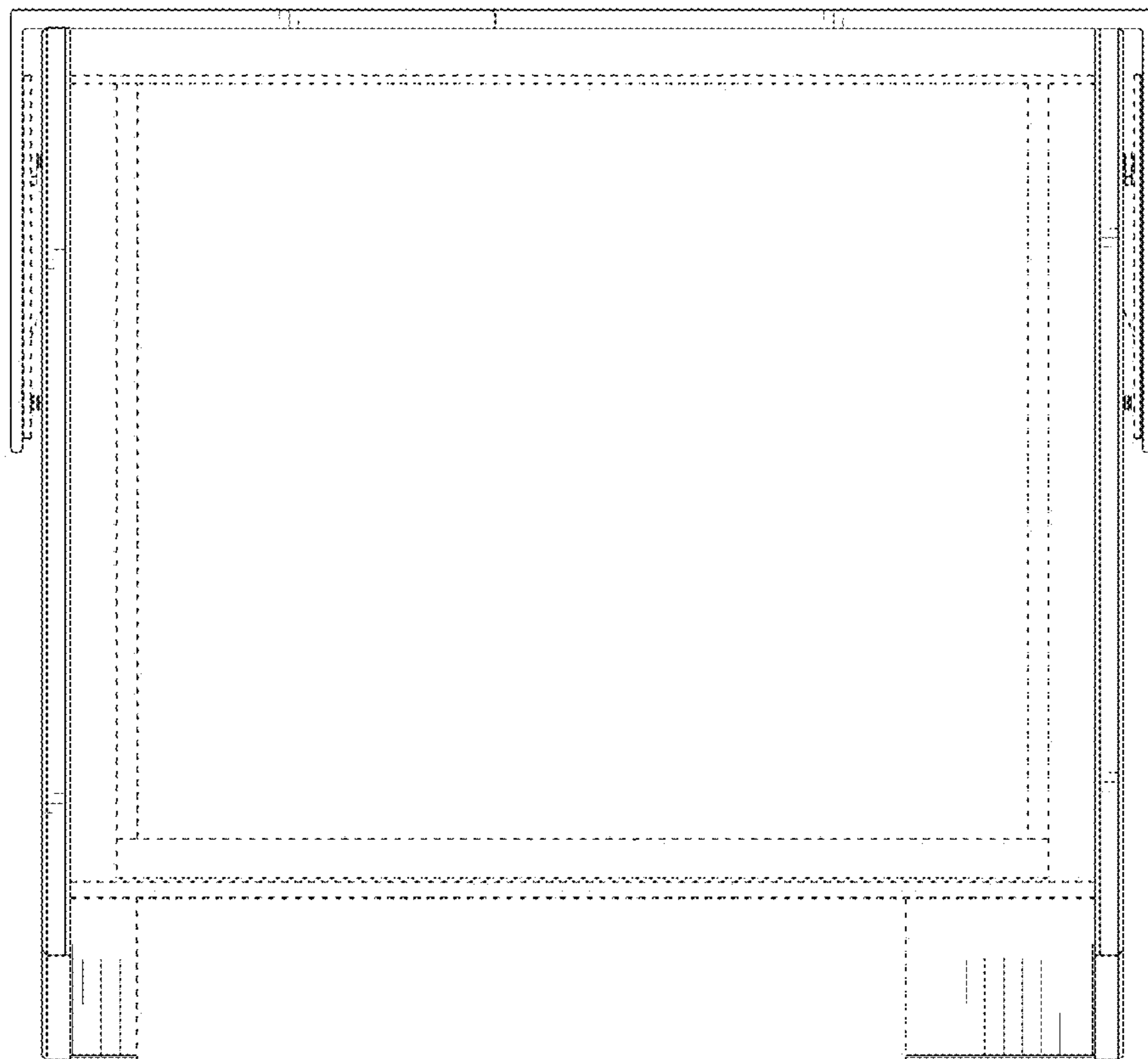


FIG.9

