



US00D704345S

(12) **United States Design Patent**
Tai

(10) **Patent No.:** **US D704,345 S**

(45) **Date of Patent:** **** May 6, 2014**

(54) **PERSONAL MASSAGER**

(74) *Attorney, Agent, or Firm* — Davis Wright Tremaine LLP; Heather M. Colburn

(71) Applicant: **Gizmospring.com Dongguan Limited**,
Dongguan (CN)

(72) Inventor: **Chih-Yao Tai**, Admiralty (HK)

(57) **CLAIM**

(73) Assignee: **Gizmospring.com Dongguan Limited**,
Dongguan (CN)

The ornamental design for a personal massager, as shown and described.

(**) Term: **14 Years**

(21) Appl. No.: **29/457,467**

DESCRIPTION

(22) Filed: **Jun. 10, 2013**

FIG. 1 is a right side perspective view of a personal massager showing my new design.

(30) **Foreign Application Priority Data**

Dec. 18, 2012 (CN) 2012 3 0637190

FIG. 2 is a right side plan view thereof.

(51) **LOC (10) Cl.** **28-03**

FIG. 3 is a front plan view thereof.

(52) **U.S. Cl.**

USPC **D24/215**

FIG. 4 is a left side plan view thereof.

(58) **Field of Classification Search**

USPC D24/200, 211, 212, 213, 214, 215;
601/114, 120, 121, 124, 125, 130, 131,
601/134, 135, 136, 137

FIG. 5 is a rear plan view thereof.

See application file for complete search history.

FIG. 6 is a top plan view thereof.

FIG. 7 is a bottom plan view thereof.

FIG. 8 is a right side perspective view of a second embodiment thereof.

(56) **References Cited**

U.S. PATENT DOCUMENTS

D454,959 S *	3/2002	Harris et al.	D24/215
D509,301 S *	9/2005	Talbot et al.	D24/215
D510,628 S *	10/2005	Talbot et al.	D24/215
D574,504 S *	8/2008	Imboden et al.	D24/215
D613,417 S *	4/2010	Imboden et al.	D24/215
D620,601 S *	7/2010	TerMeer	D24/215

FIG. 9 is a right side plan view of the second embodiment thereof.

FIG. 10 is a front plan view of the second embodiment thereof.

FIG. 11 is a left side plan view of the second embodiment thereof.

FIG. 12 is a rear plan view of the second embodiment thereof.

FIG. 13 is a top plan view of the second embodiment thereof; and,

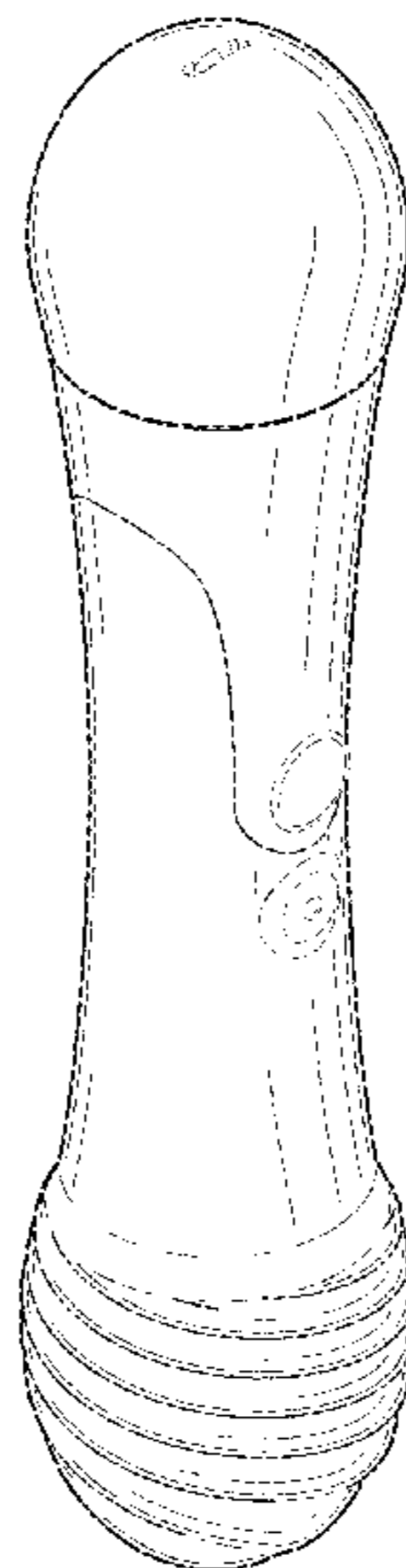
FIG. 14 is a bottom plan view of the second embodiment thereof.

* cited by examiner

The broken lines represent portions of the personal massager that form no part of the claim.

Primary Examiner — Sandra Snapp

1 Claim, 12 Drawing Sheets



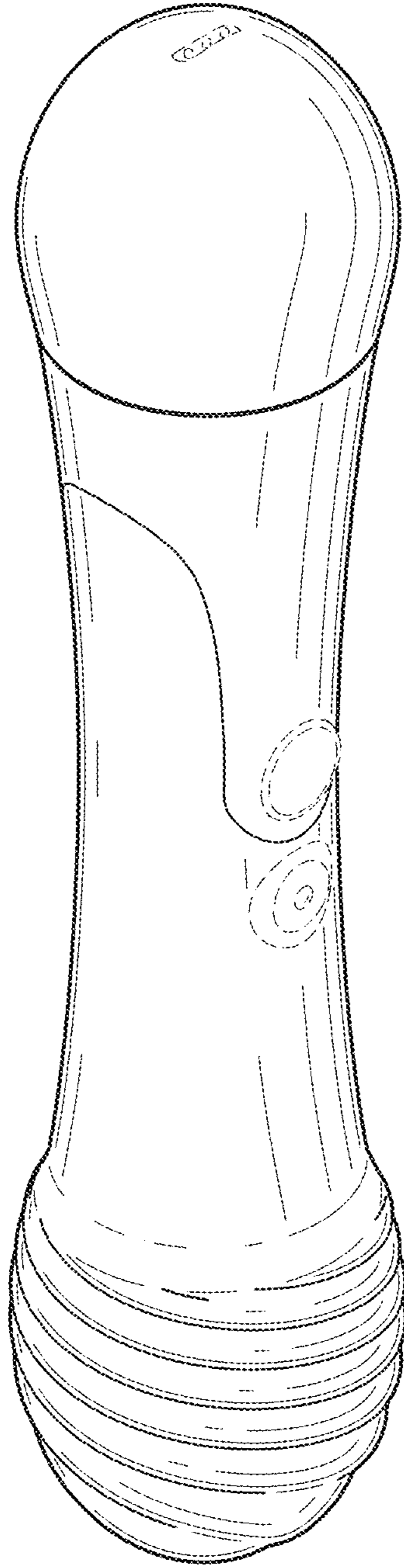


FIG.1

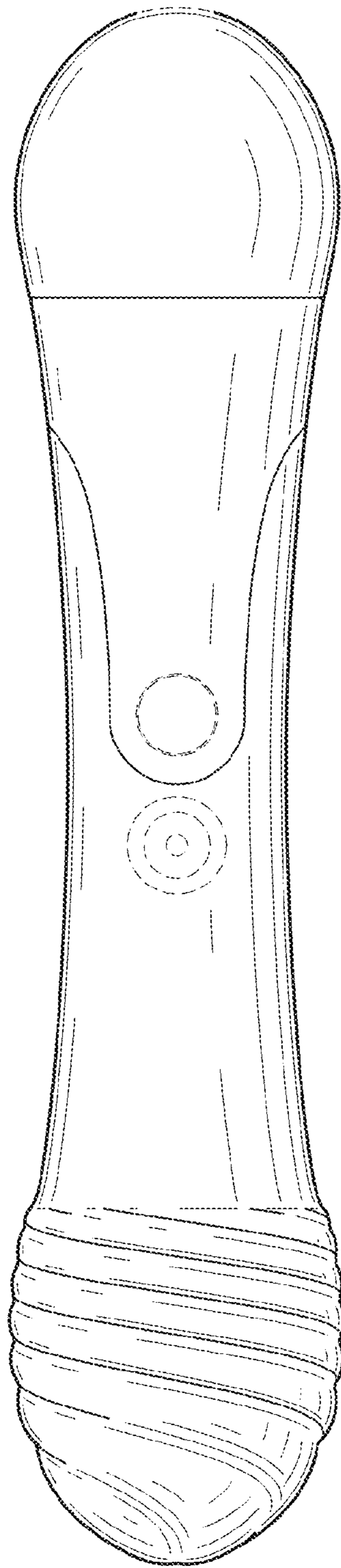


FIG. 2

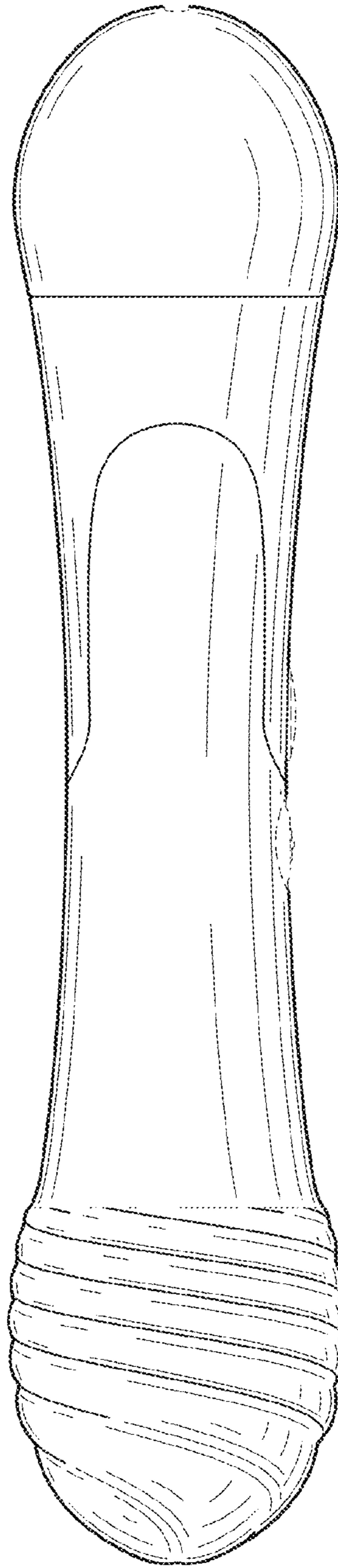


FIG. 3

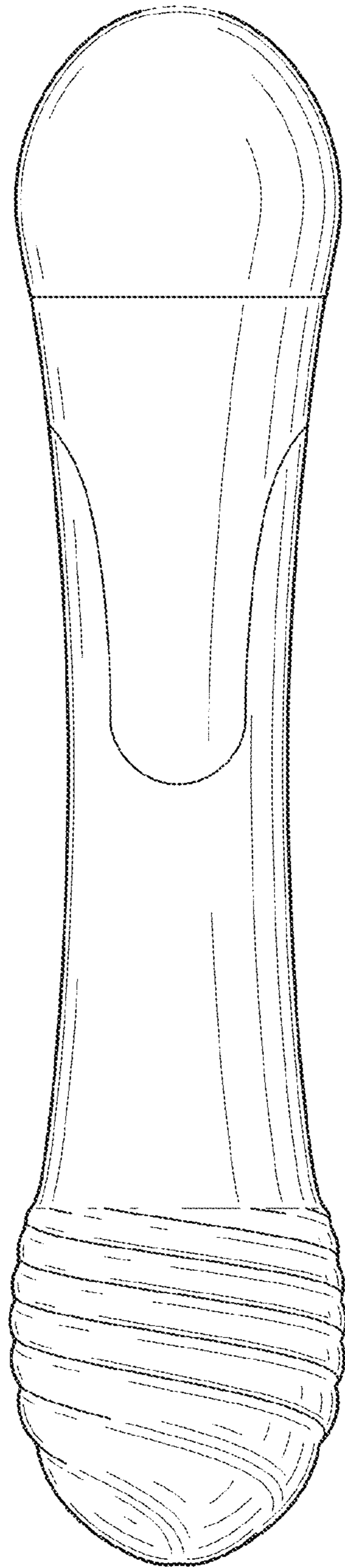


FIG. 4

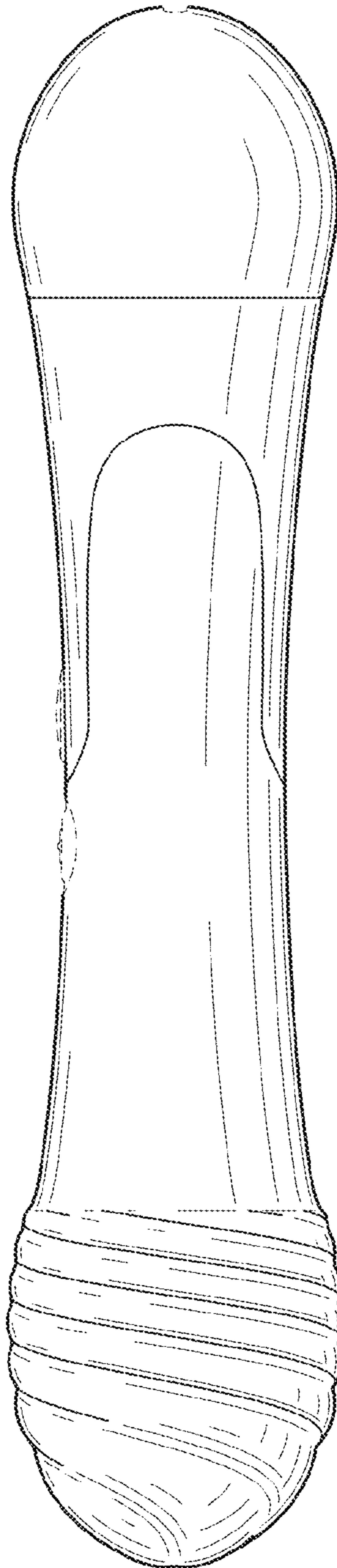


FIG. 5

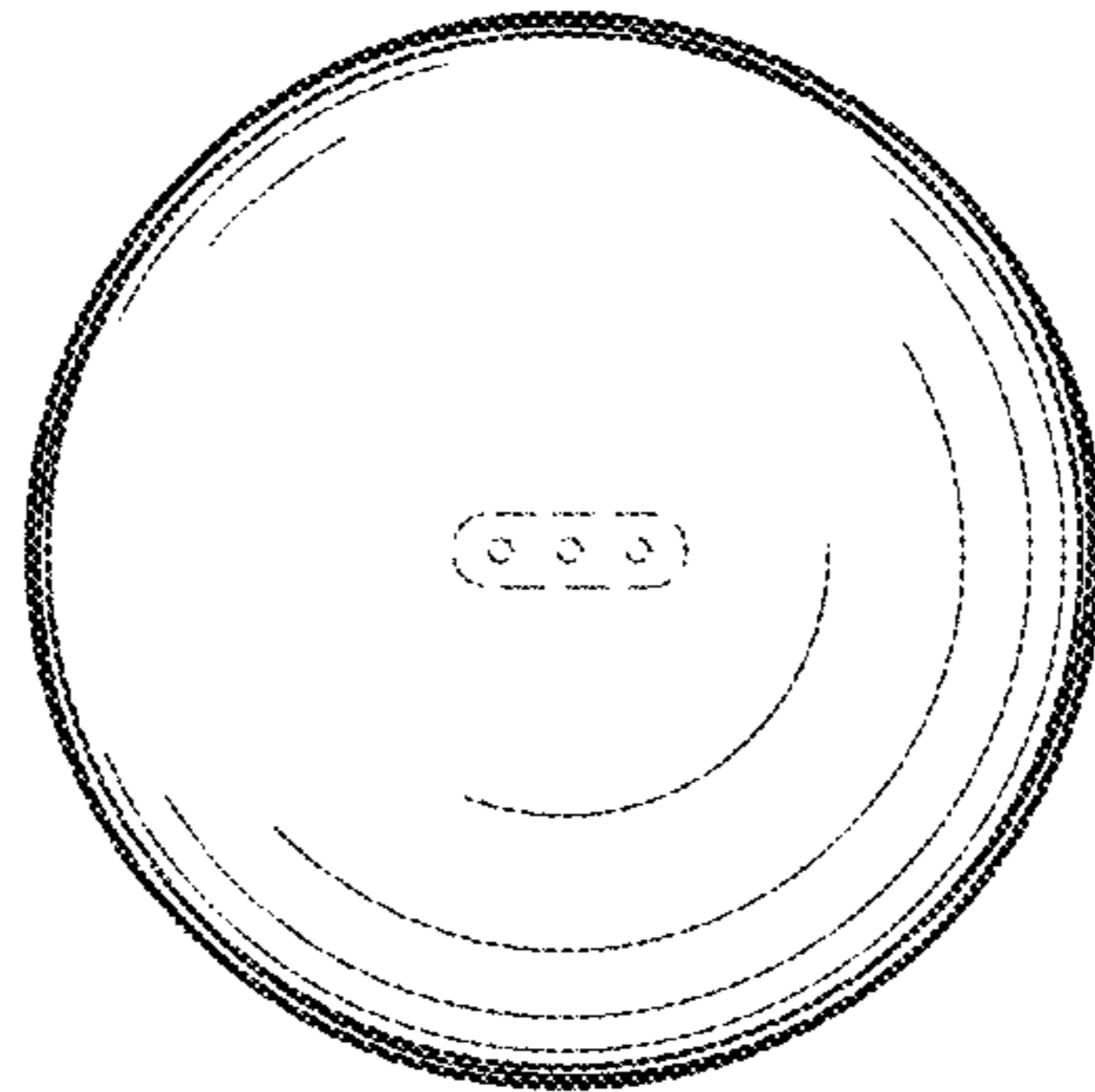


FIG. 6

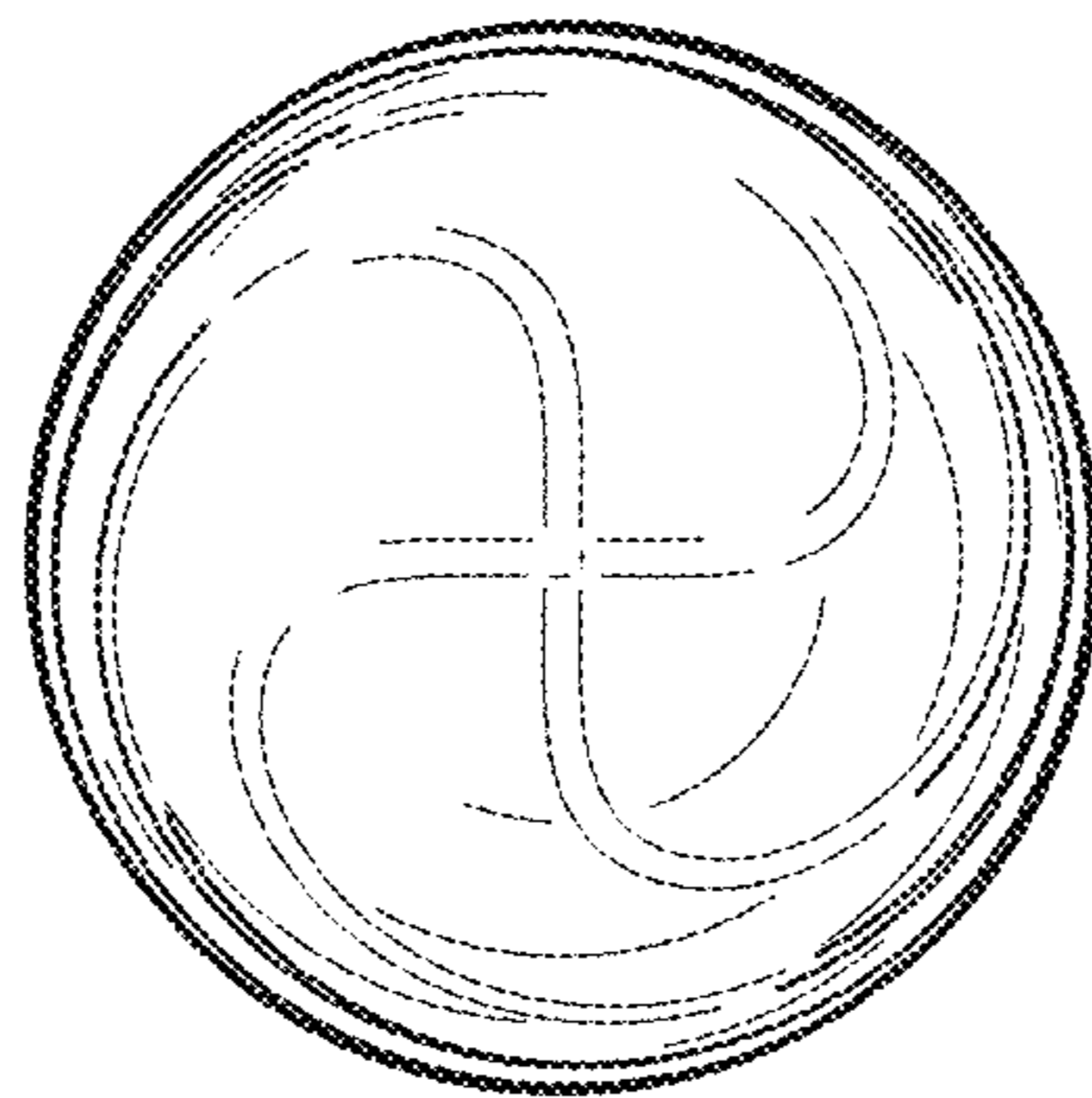


FIG. 7

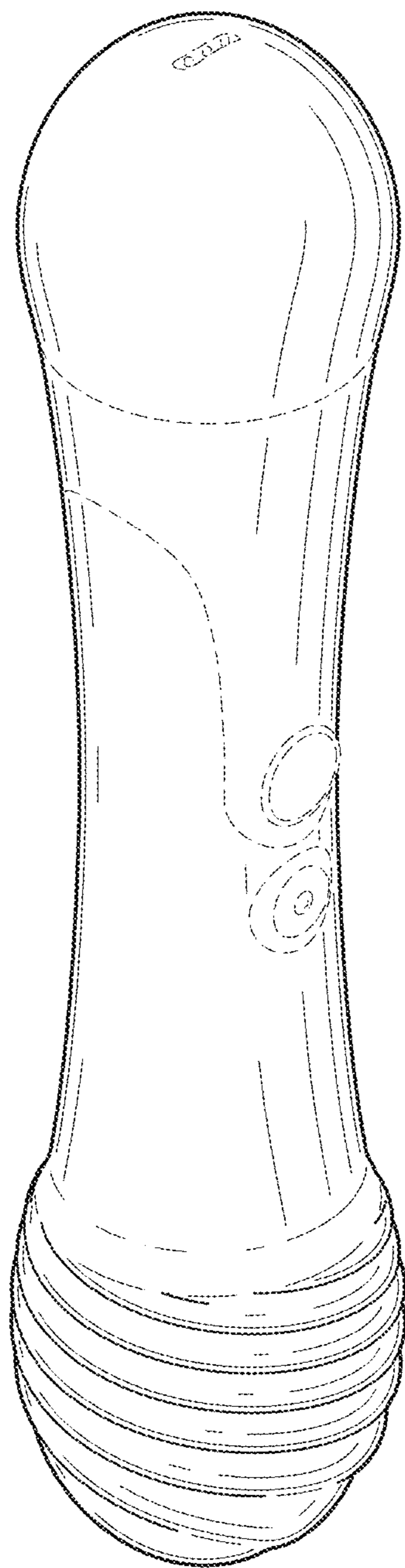


FIG. 8

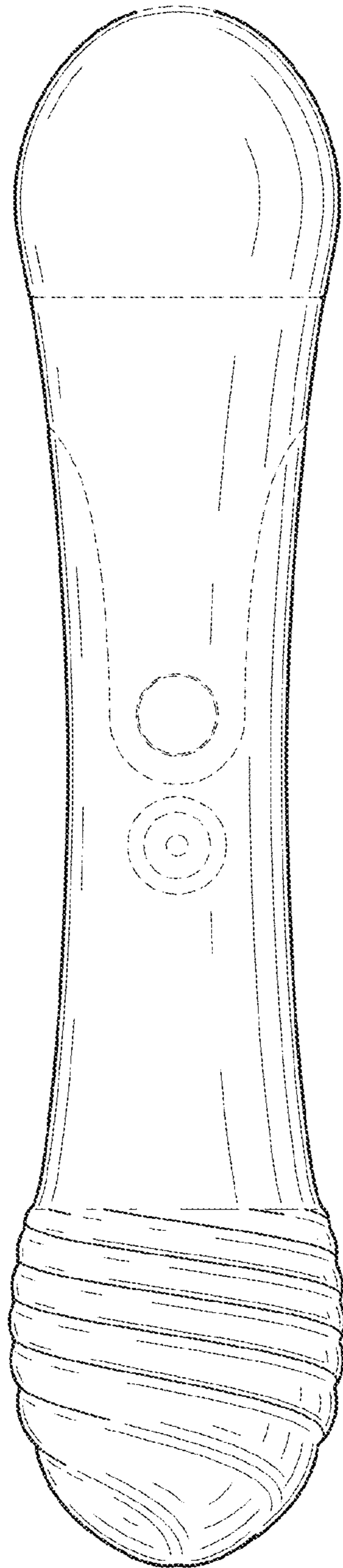


FIG. 9

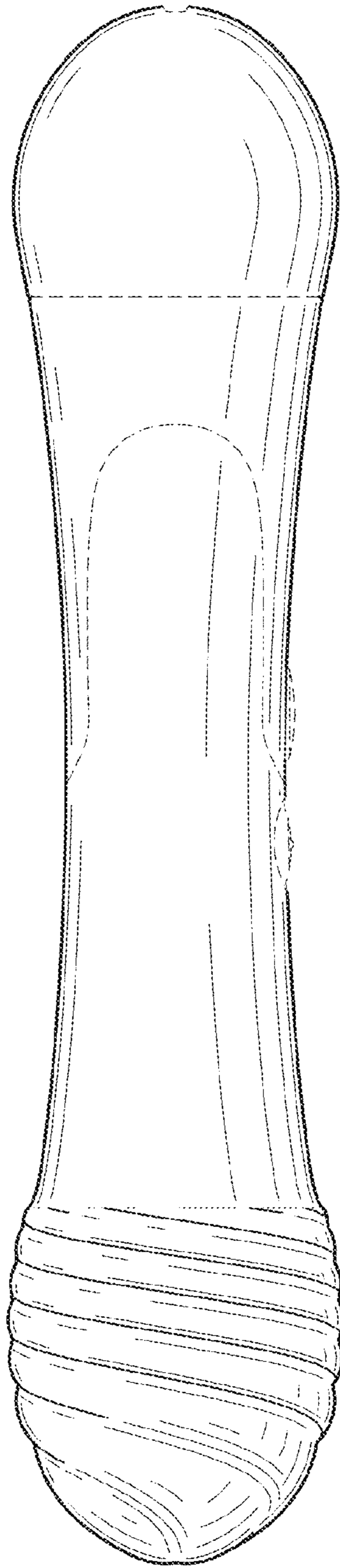


FIG. 10

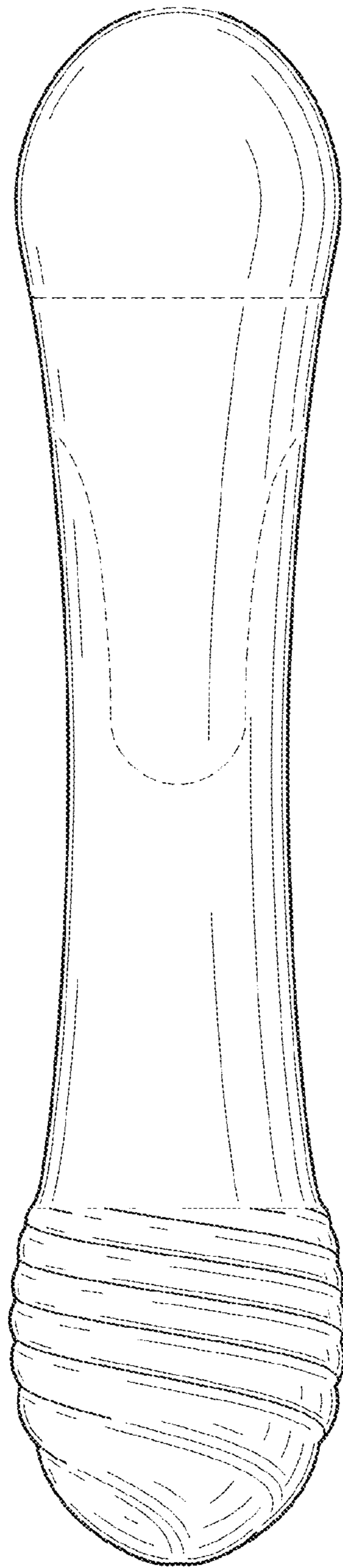


FIG.11

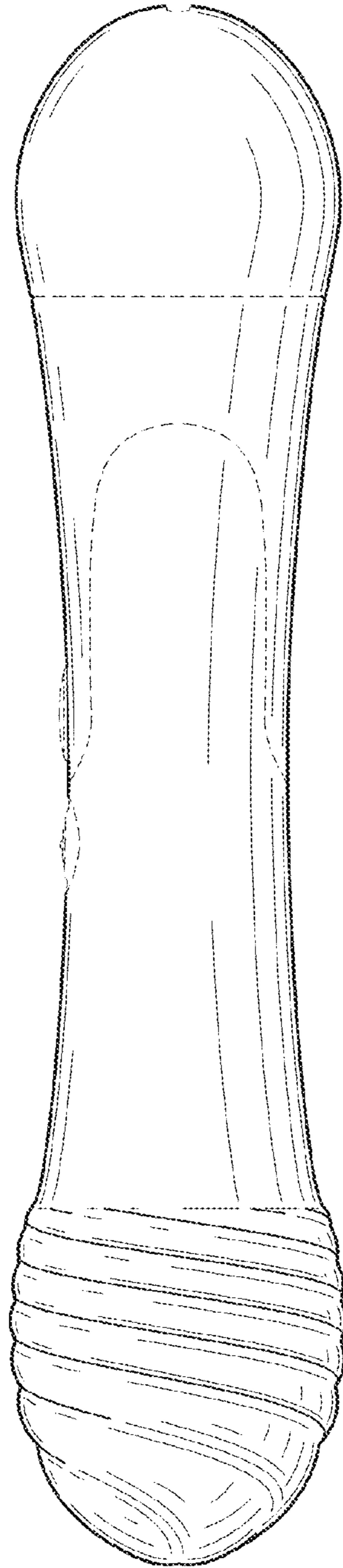


FIG. 12

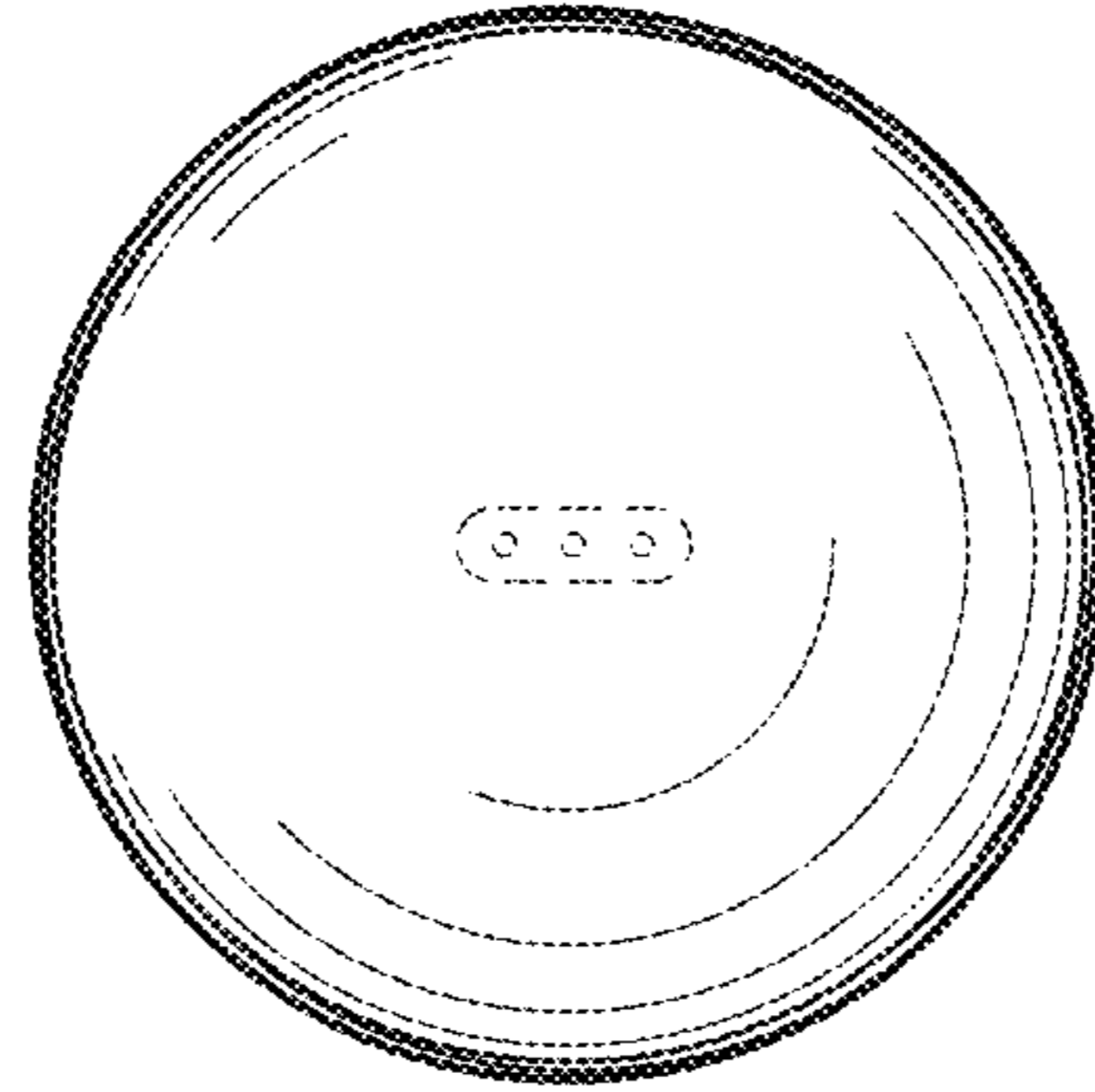


FIG.13

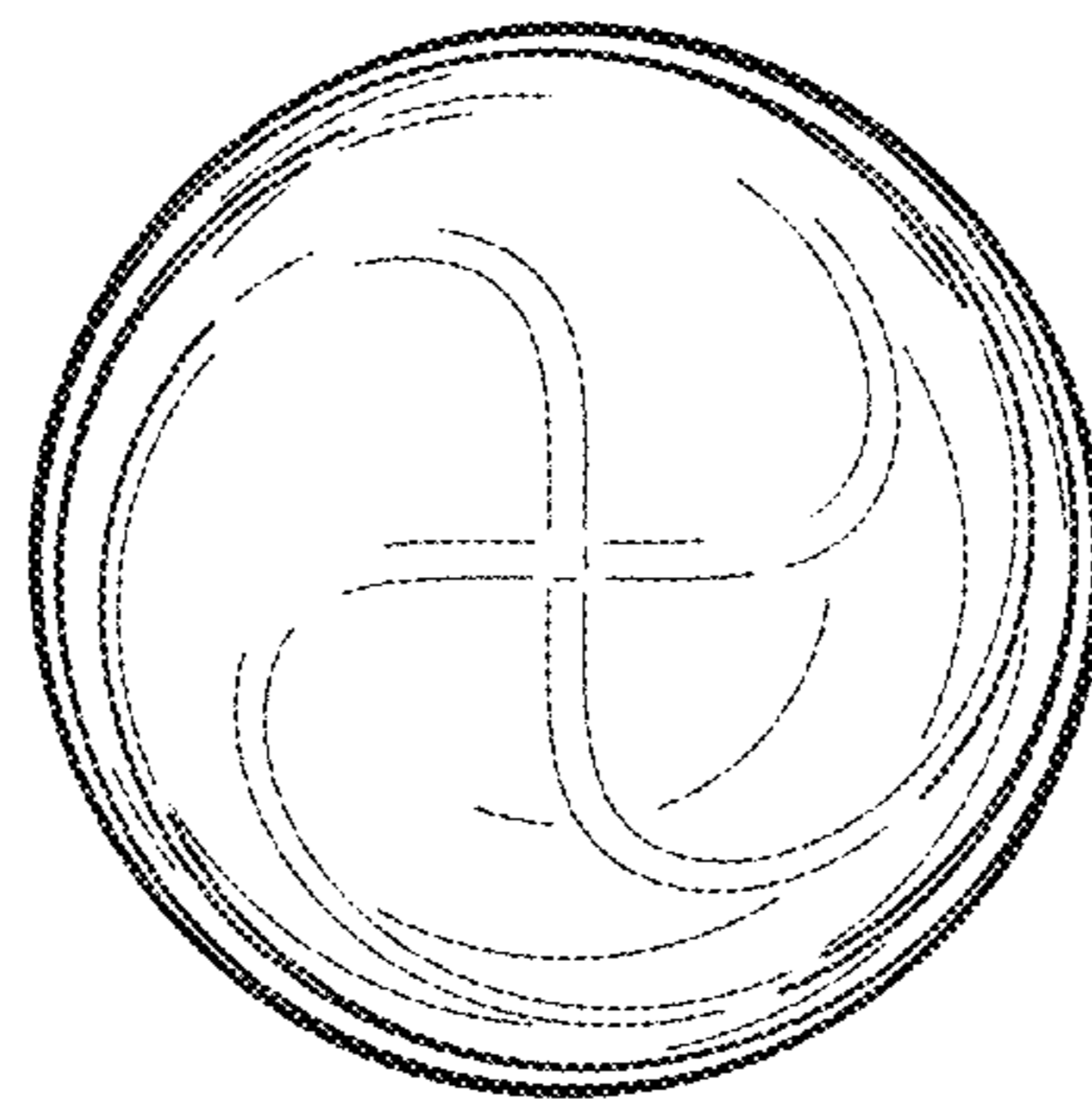


FIG.14