



US00D704341S

(12) **United States Design Patent**  
**Ryu et al.**

(10) **Patent No.:** **US D704,341 S**

(45) **Date of Patent:** **\*\* May 6, 2014**

(54) **ULTRASONIC PROBE**

(56) **References Cited**

(71) Applicant: **Healcerion Co., Ltd.**, Seoul (KR)

U.S. PATENT DOCUMENTS

(72) Inventors: **Jeong-Won Ryu**, Seoul (KR);  
**You-Chan Choung**, Seoul (KR)

D316,376	S	*	4/1991	Dubut	.....	D10/60
D319,793	S	*	9/1991	Dubut	.....	D10/60
D328,495	S	*	8/1992	Ungari	.....	D24/187
D389,918	S	*	1/1998	Ninomiya et al.	.....	D24/186
D467,002	S	*	12/2002	Felix et al.	.....	D24/187
6,709,392	B1	*	3/2004	Salgo et al.	.....	600/439
D555,252	S	*	11/2007	Kitayama et al.	.....	D24/186
D622,401	S	*	8/2010	Suzuki	.....	D24/187
D681,820	S	*	5/2013	Shinohara et al.	.....	D24/186
D681,823	S	*	5/2013	Shinohara et al.	.....	D24/186
D681,827	S	*	5/2013	Shinohara et al.	.....	D24/186
D685,100	S	*	6/2013	Shinohara et al.	.....	D24/186

(73) Assignee: **Healcerion Co., Ltd.**, Seoul (KR)

(\*\*) Term: **14 Years**

\* cited by examiner

(21) Appl. No.: **29/452,189**

(22) Filed: **Apr. 12, 2013**

*Primary Examiner* — T. Chase Nelson

*Assistant Examiner* — Mark Cavanna

(30) **Foreign Application Priority Data**

(74) *Attorney, Agent, or Firm* — Stein IP, LLC

Oct. 12, 2012 (KR) ..... 3020120048548

(51) **LOC (10) Cl.** ..... **24-01**

(57) **CLAIM**

The ornamental design for an ultrasonic probe, as shown and described.

(52) **U.S. Cl.**

**DESCRIPTION**

USPC ..... **D24/187**

(58) **Field of Classification Search**

USPC ..... D24/138, 141, 158, 164, 165, 167, 170,  
D24/186–187, 133, 144; D10/57, 60, 78,  
D10/80; 600/407, 461, 446, 439; 378/98.7,  
378/98.8, 189

FIG. 1 is a perspective view of an ultrasonic probe;  
FIG. 2 is a front view of the ultrasonic probe of FIG. 1;  
FIG. 3 is a rear view of the ultrasonic probe of FIG. 1;  
FIG. 4 is a left side view of the ultrasonic probe of FIG. 1;  
FIG. 5 is a right side view of the ultrasonic probe of FIG. 1;  
FIG. 6 is a plan view of the ultrasonic probe of FIG. 1; and  
FIG. 7 is a bottom view of the ultrasonic probe of FIG. 1.

See application file for complete search history.

**1 Claim, 6 Drawing Sheets**

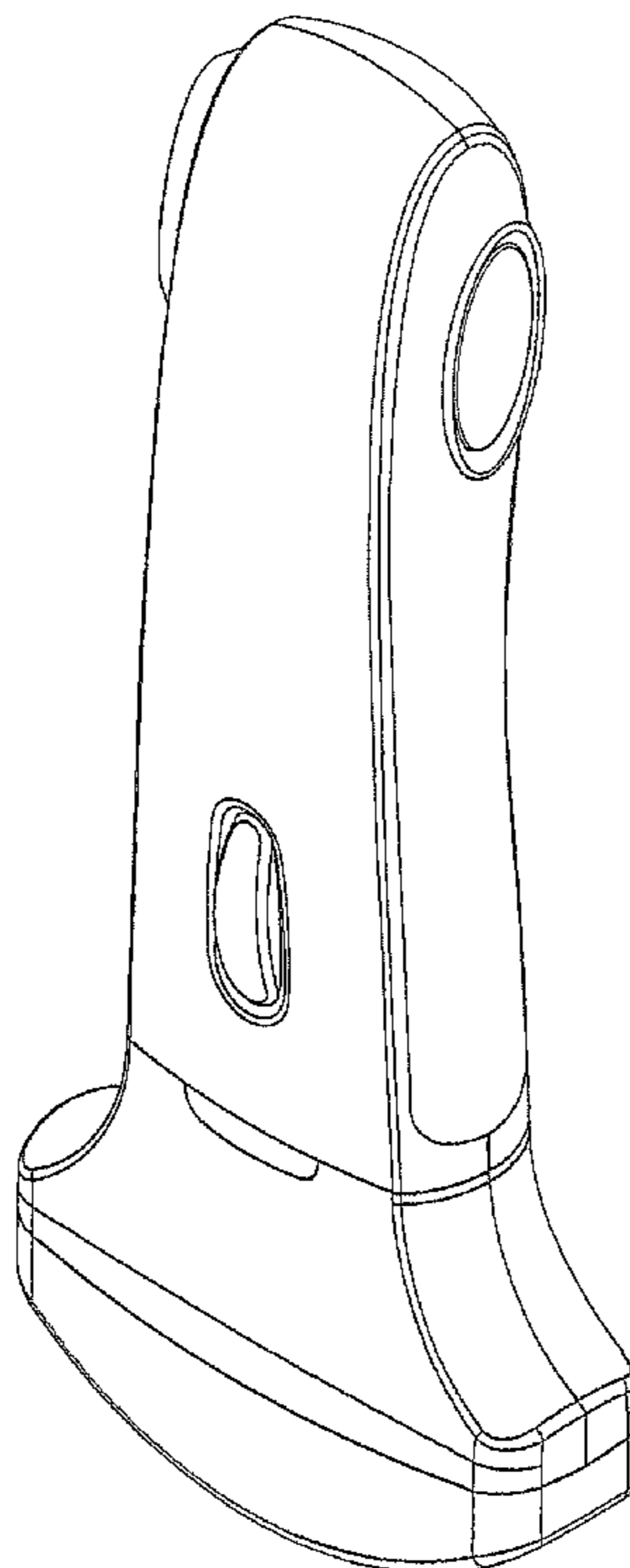


FIG. 1

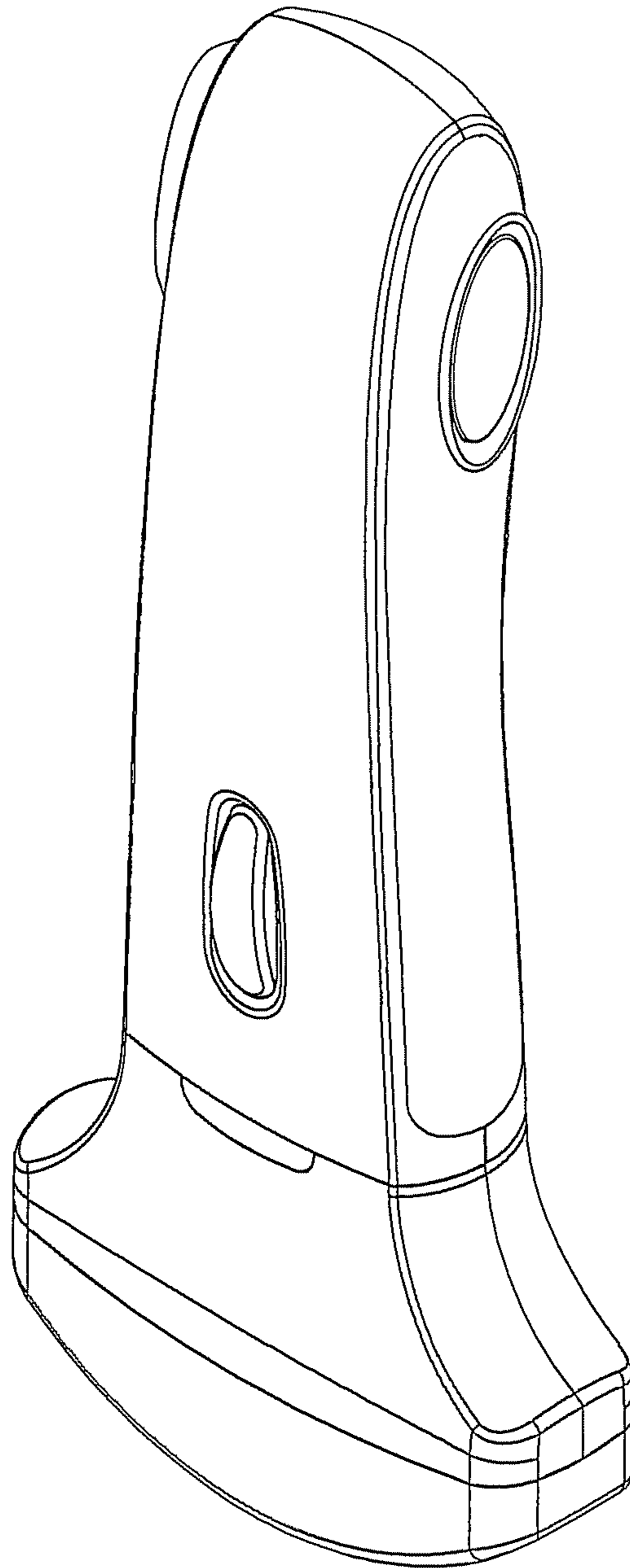


FIG. 2

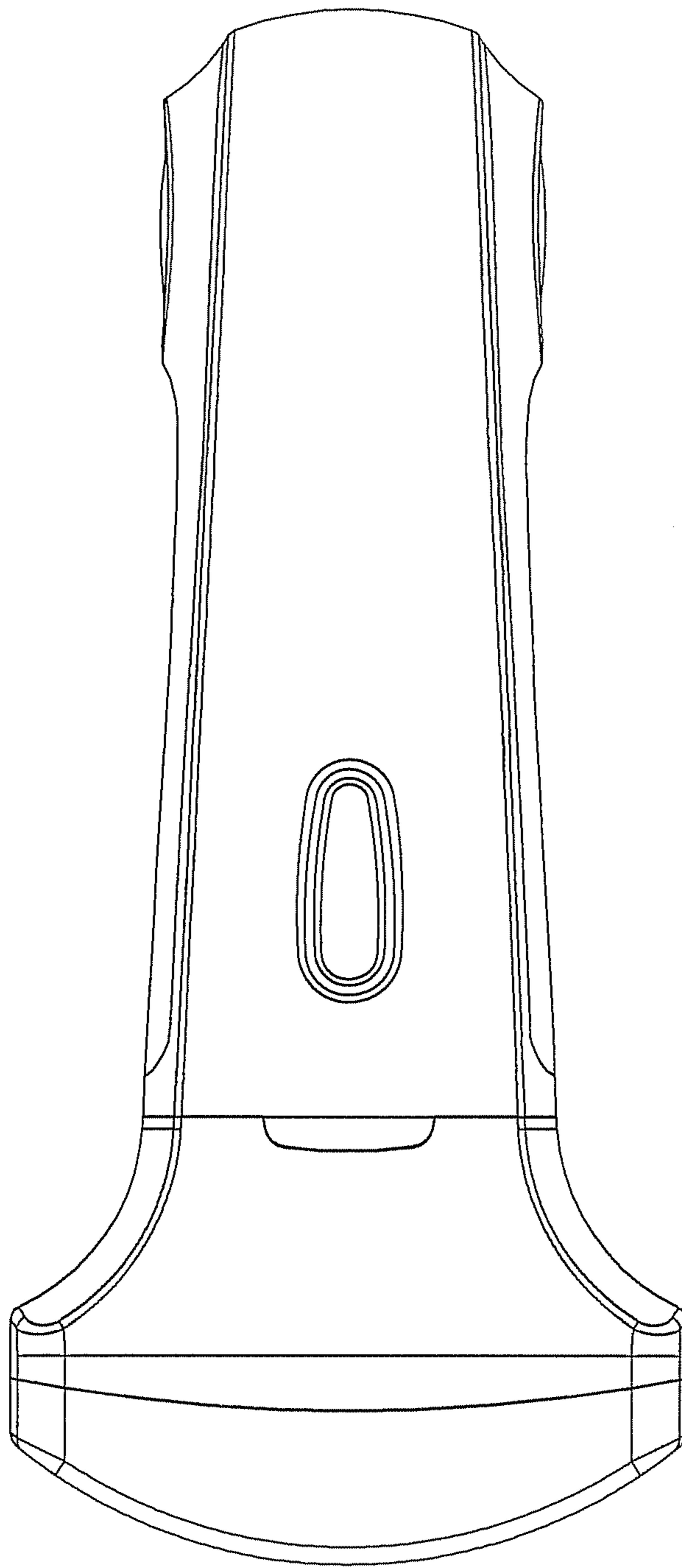


FIG. 3

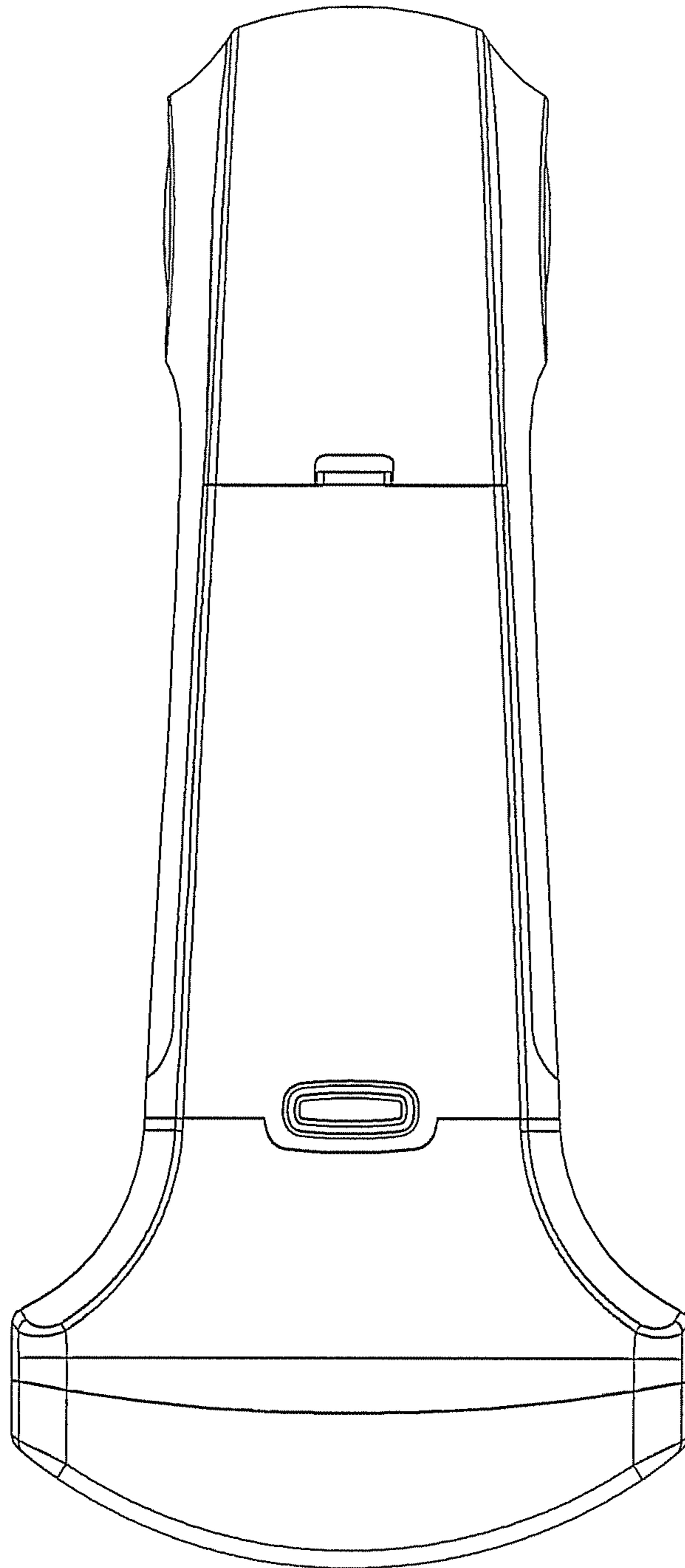


FIG. 4

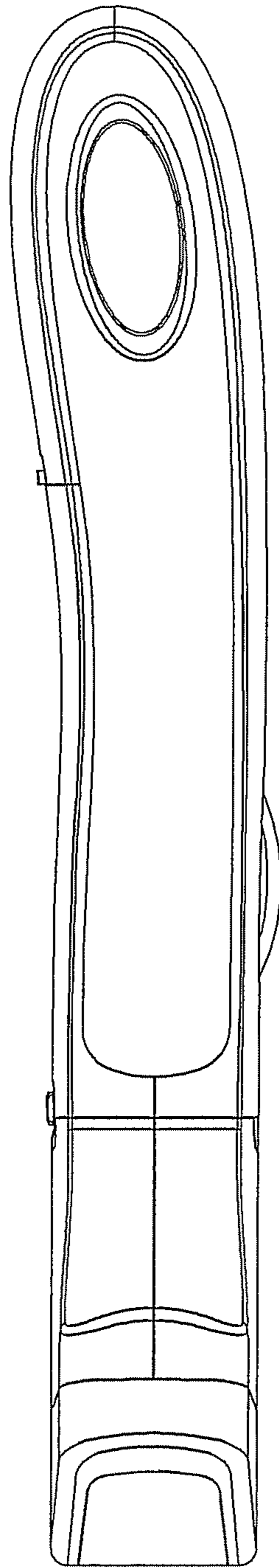


FIG. 5

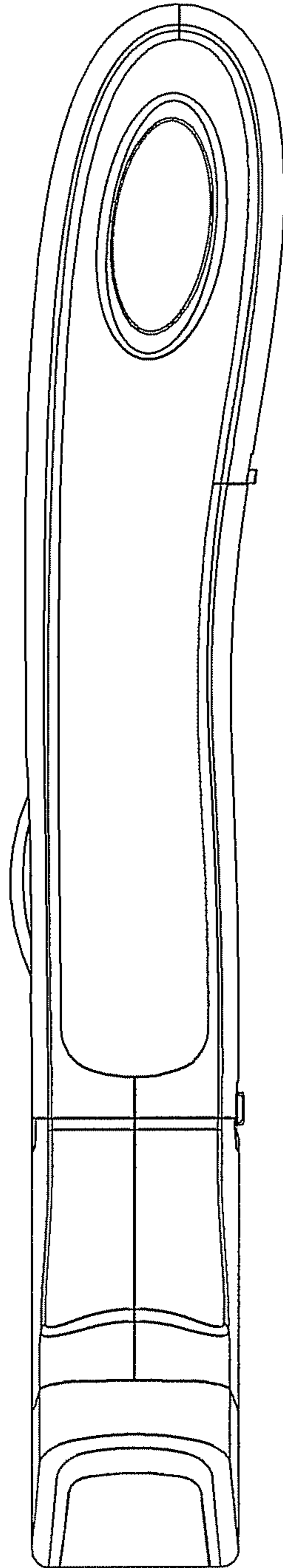


FIG. 6

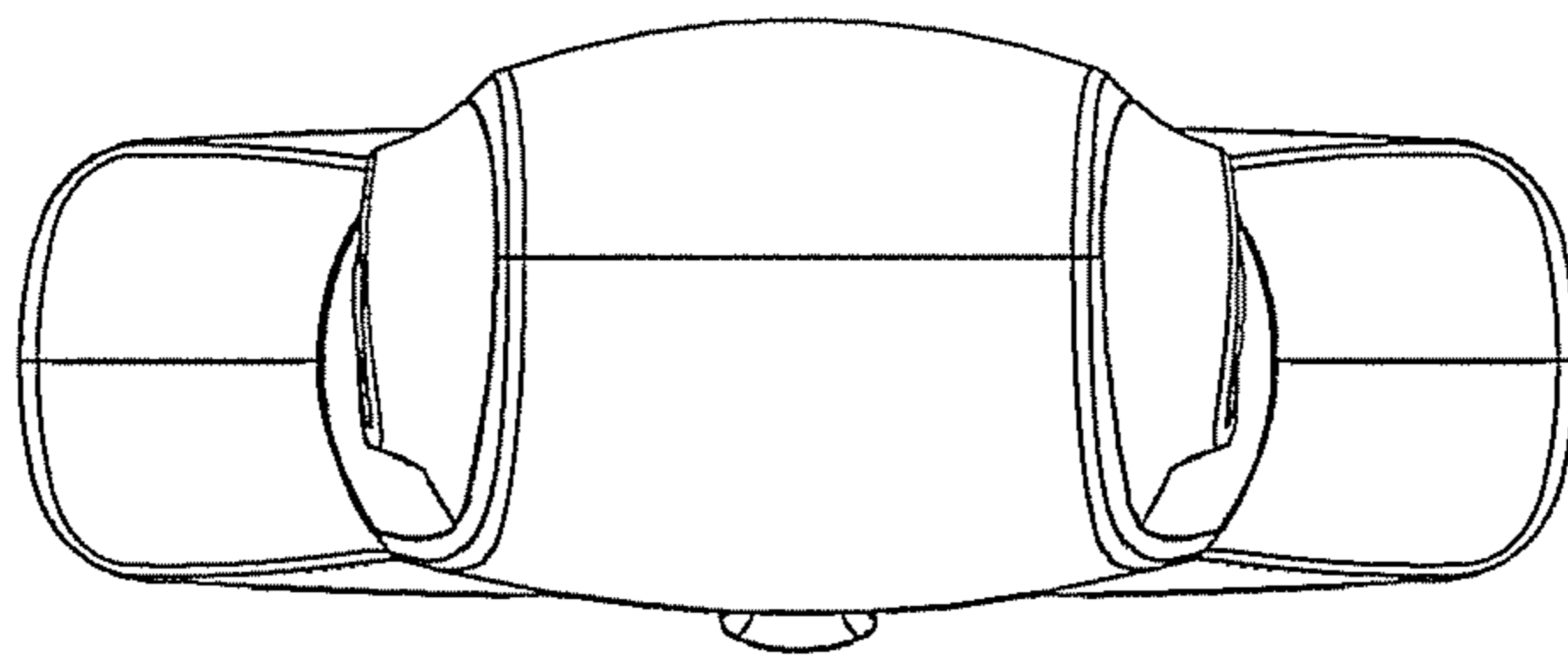


FIG. 7

