



US00D704339S

(12) **United States Design Patent**
Mattiuzzo

(10) **Patent No.:** **US D704,339 S**

(45) **Date of Patent:** **** May 6, 2014**

(54) **X-RAY MACHINE**

(71) Applicant: **Giulio Mattiuzzo**, Imola (IT)

(72) Inventor: **Giulio Mattiuzzo**, Imola (IT)

(73) Assignee: **Cefla Societa' Cooperativa**, Imola (IT)

(**) Term: **14 Years**

(21) Appl. No.: **29/461,219**

(22) Filed: **Jul. 19, 2013**

(30) **Foreign Application Priority Data**

Apr. 12, 2013 (EM) 002219170-0001

Apr. 12, 2013 (EM) 002219170-0002

(51) **LOC (10) Cl.** **24-01**

(52) **U.S. Cl.**
USPC **D24/158**

(58) **Field of Classification Search**
USPC D24/158-161, 185, 186; 378/4, 15, 17,
378/20, 21, 23-27, 62, 68, 146, 195-198,
378/38-40, 169-170, 177, 180, 191
See application file for complete search history.

(56) **References Cited**

U.S. PATENT DOCUMENTS

D272,385 S * 1/1984 Nakano et al. D24/158

D323,892 S * 2/1992 Spoljaric D24/158

D478,171 S *	8/2003	Malmen	D24/158
D502,543 S *	3/2005	Phleps et al.	D24/158
D571,471 S *	6/2008	Stockl	D24/158
D604,414 S *	11/2009	Otsuka et al.	D24/158
D604,415 S *	11/2009	Otsuka et al.	D24/158
D639,947 S *	6/2011	Choi et al.	D24/158
8,251,583 B2 *	8/2012	Cekov et al.	378/191
8,509,381 B2 *	8/2013	Walker et al.	378/39
2012/0243762 A1 *	9/2012	Kanerva et al.	378/38
2013/0089177 A1 *	4/2013	Baldini et al.	378/39

* cited by examiner

Primary Examiner — Anhdao Doan

(74) *Attorney, Agent, or Firm* — Themis Law

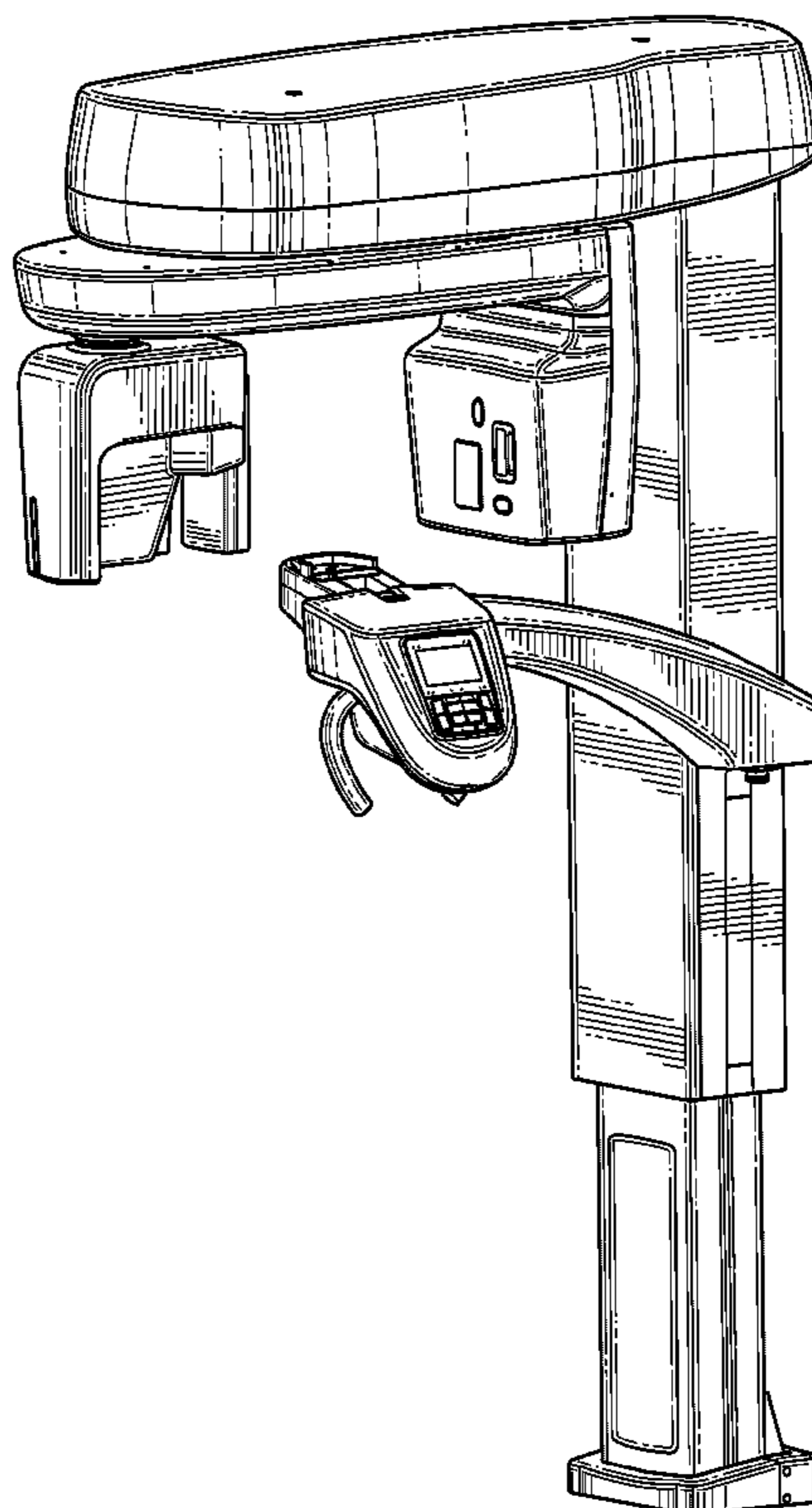
(57) **CLAIM**

The ornamental design for an X-ray machine, as shown and described.

DESCRIPTION

FIG. 1 is a front perspective view of the X-ray machine without the auxiliary arm showing my new design; FIG. 2 is a front elevational view thereof; FIG. 3 is a rear elevational view thereof; FIG. 4 is a right side elevational view thereof; FIG. 5 is a left side elevational view thereof; FIG. 6 is a top plan view thereof; and, FIG. 7 is a bottom plan view thereof.

1 Claim, 6 Drawing Sheets



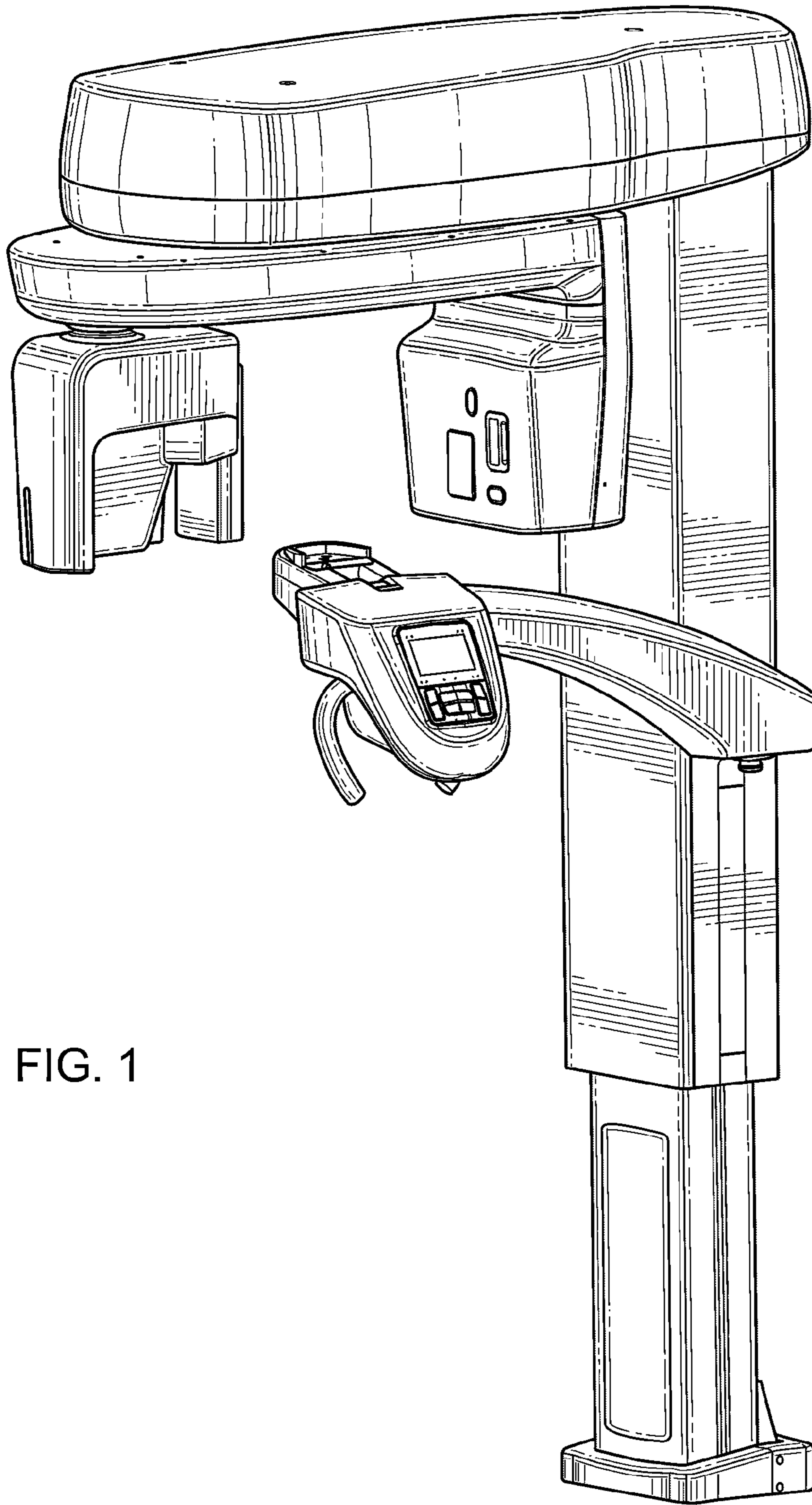


FIG. 1

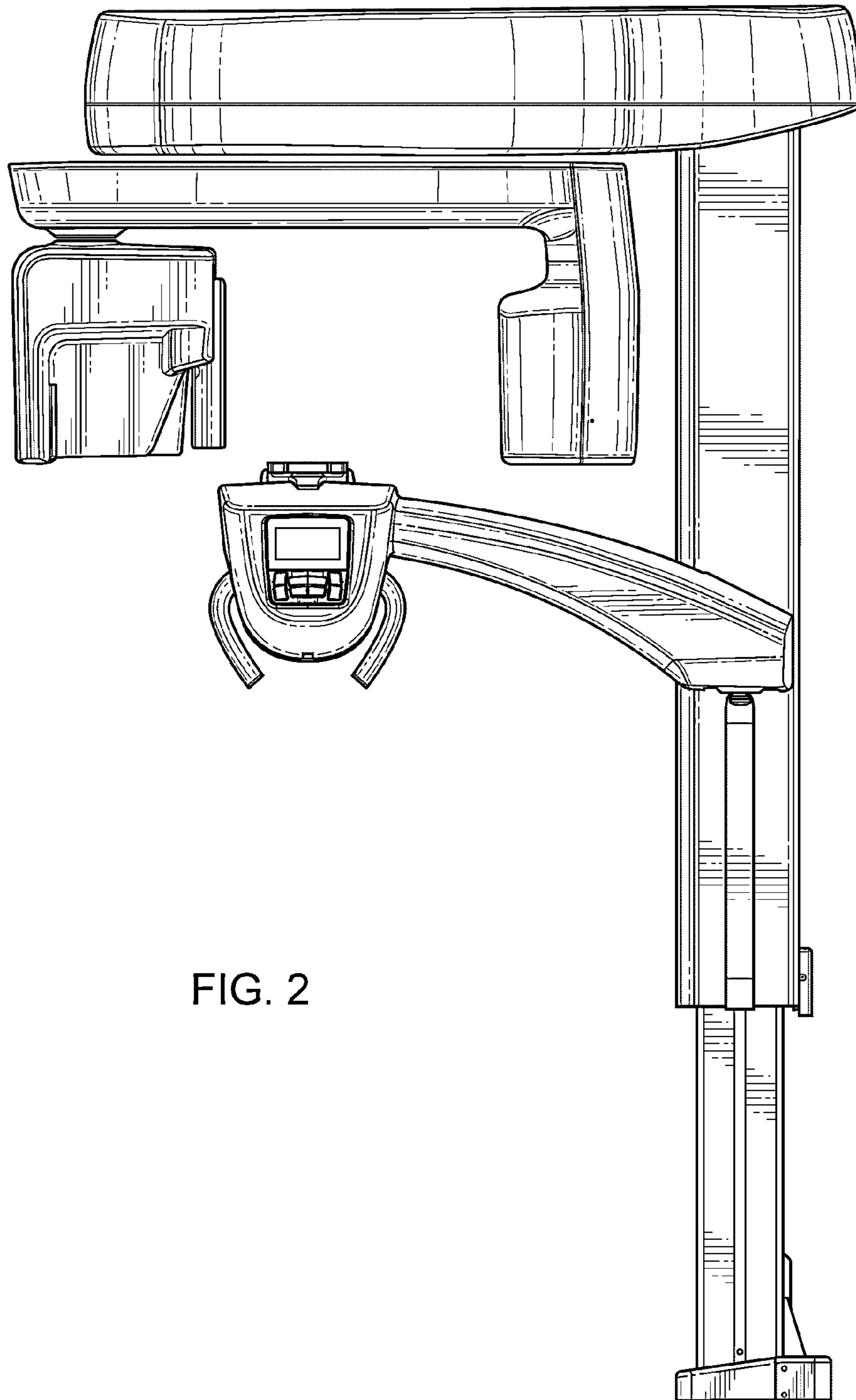


FIG. 2

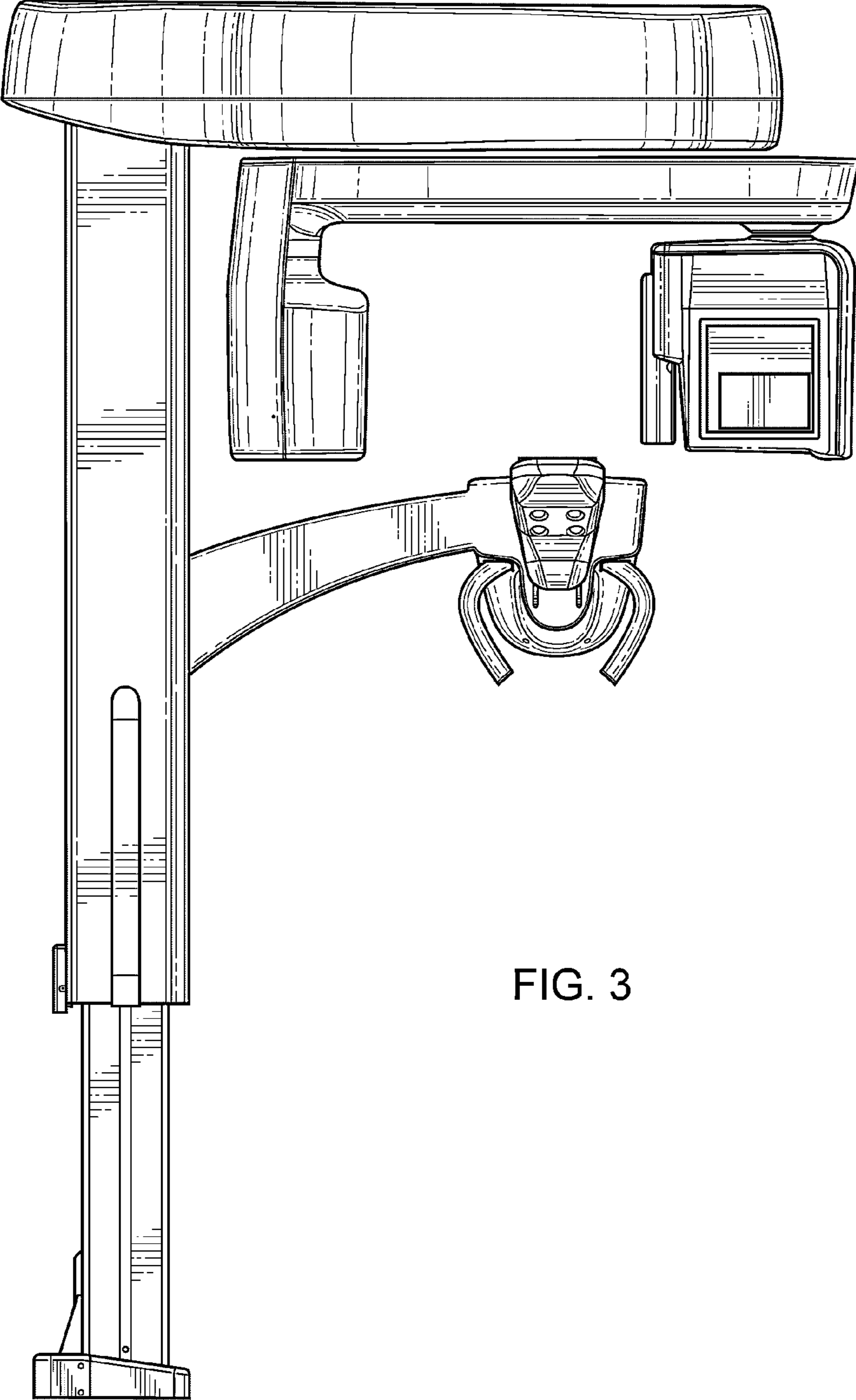


FIG. 3

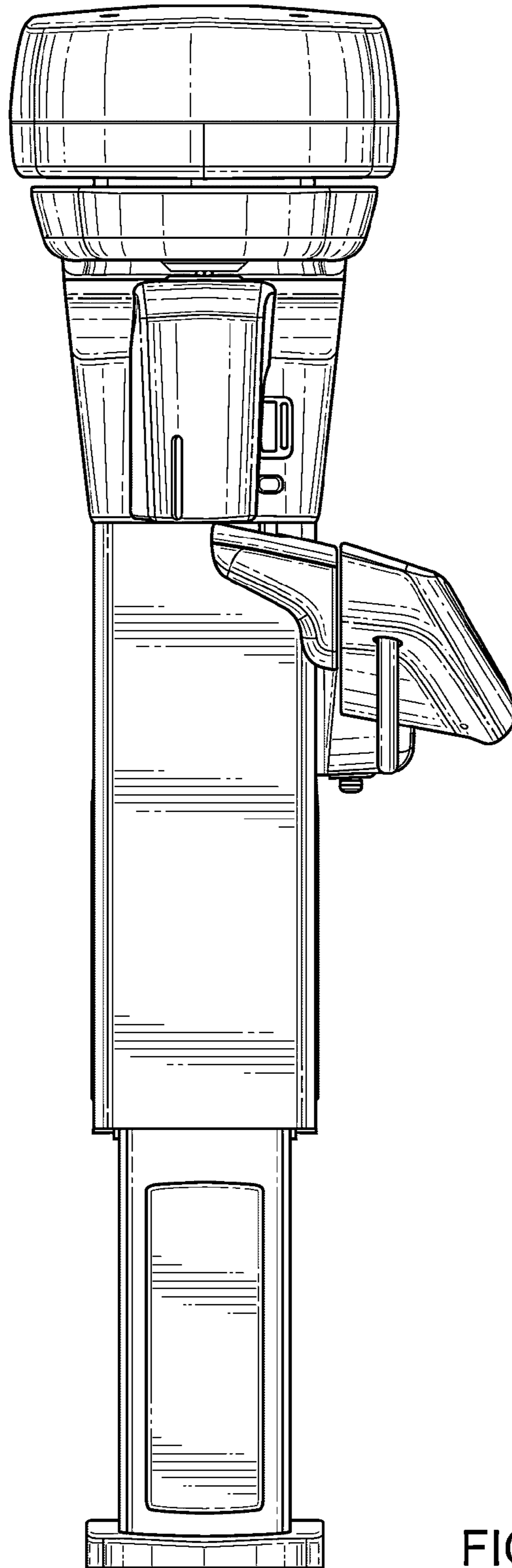


FIG. 4

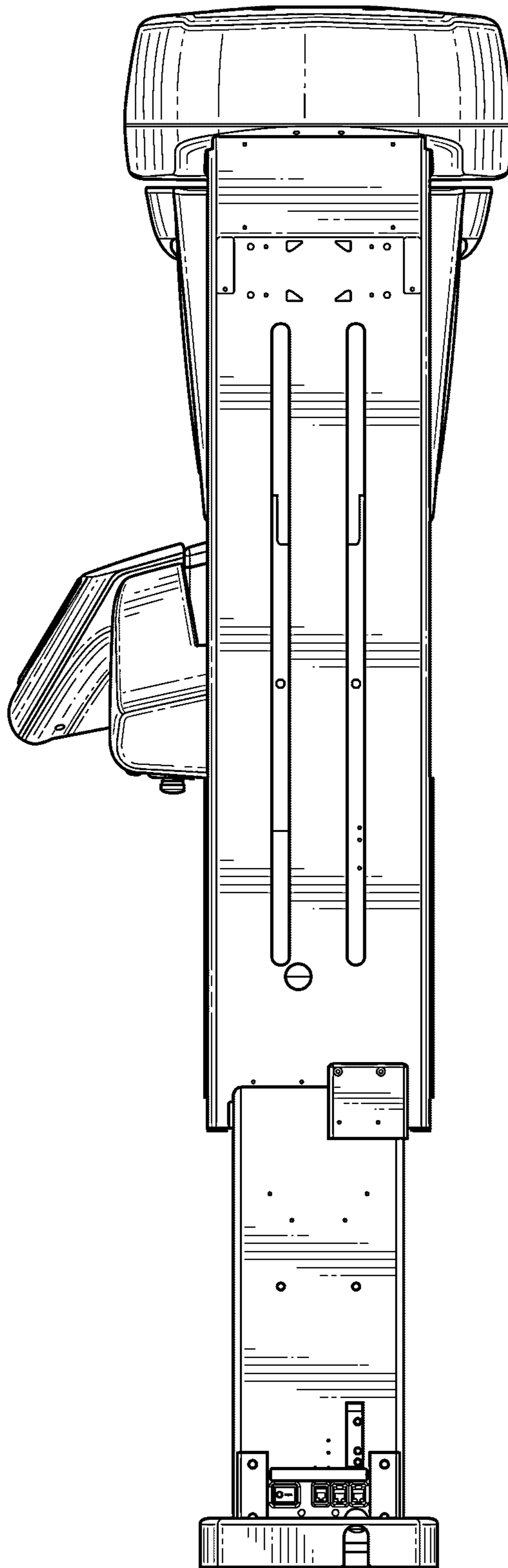


FIG. 5

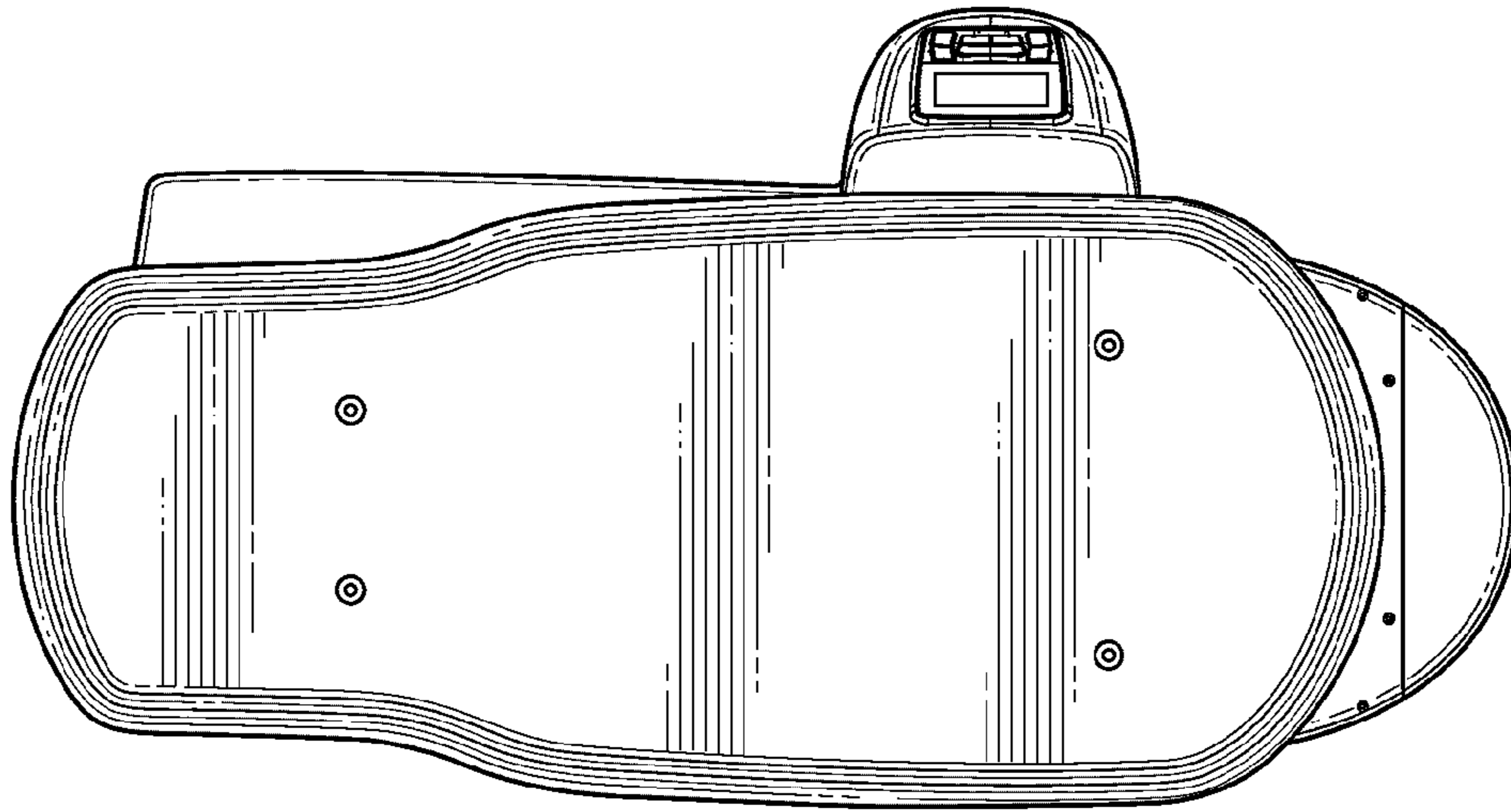


FIG. 6

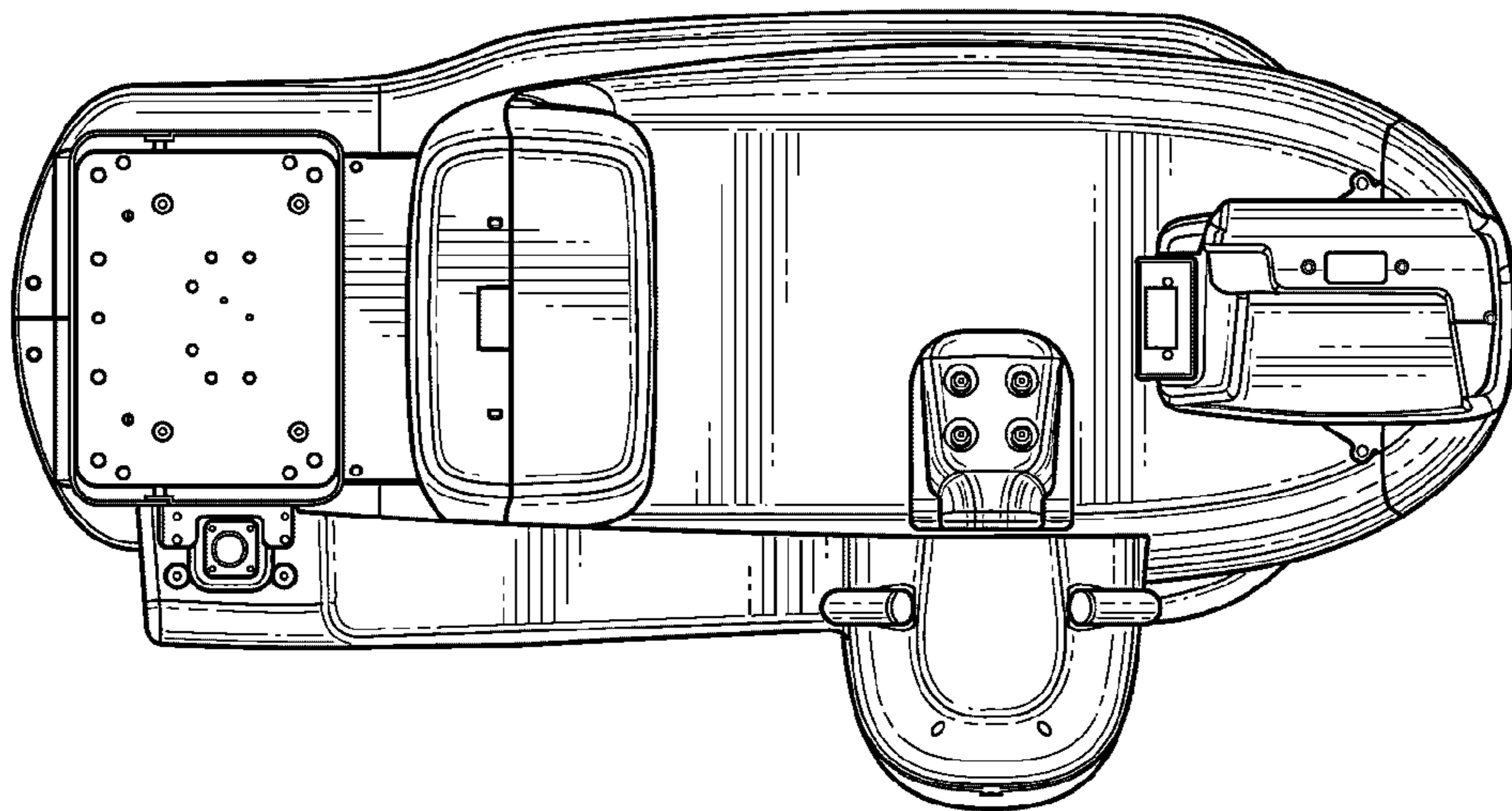


FIG. 7