



US00D704336S

(12) **United States Design Patent**
Chon et al.

(10) **Patent No.:** **US D704,336 S**
(45) **Date of Patent:** **** May 6, 2014**

(54) **PHACOEMULSIFICATION HANDPIECE**

2008/0172076 A1 7/2008 Chon et al.
2008/0281253 A1 11/2008 Injev et al.
2010/0324581 A1 12/2010 Mackool et al.

(71) Applicant: **Alcon Research, Ltd.**, Fort Worth, TX
(US)

FOREIGN PATENT DOCUMENTS

(72) Inventors: **James Y Chon**, Irvine, CA (US); **Robert S Maurer, Jr.**, Huntington Beach, CA
(US)

EP 1103238 A1 5/2001
WO 02/07659 A2 1/2002
WO 02/07659 A3 4/2002

(73) Assignee: **Alcon Research, Ltd.**, Fort Worth, TX
(US)

OTHER PUBLICATIONS

(**) Term: **14 Years**

Alcon Cataract Product Catalog, 2008-2009; pp. 18-24.

(21) Appl. No.: **29/447,573**

* cited by examiner

(22) Filed: **Mar. 5, 2013**

Primary Examiner — Wan Laymon

(51) **LOC (10) Cl.** **24-02**

(57) **CLAIM**

(52) **U.S. Cl.**

The ornamental design of a phacoemulsification handpiece, as shown and described.

USPC **D24/144; D24/133**

DESCRIPTION

(58) **Field of Classification Search**

USPC D24/144, 133, 112, 146; 604/22,
604/27-28, 30, 39; 606/166-167, 169-170
See application file for complete search history.

FIG. 1 is an isometric view of the phacoemulsification handpiece of present invention.

FIG. 2 is a top view of the phacoemulsification handpiece of the present invention.

FIG. 3 is a first side view of the phacoemulsification handpiece of the present invention.

FIG. 4 is a bottom view of the phacoemulsification handpiece of the present invention.

FIG. 5 is a second side view of the phacoemulsification handpiece of the present invention.

FIG. 6 is a front view of the phacoemulsification handpiece of the present invention; and,

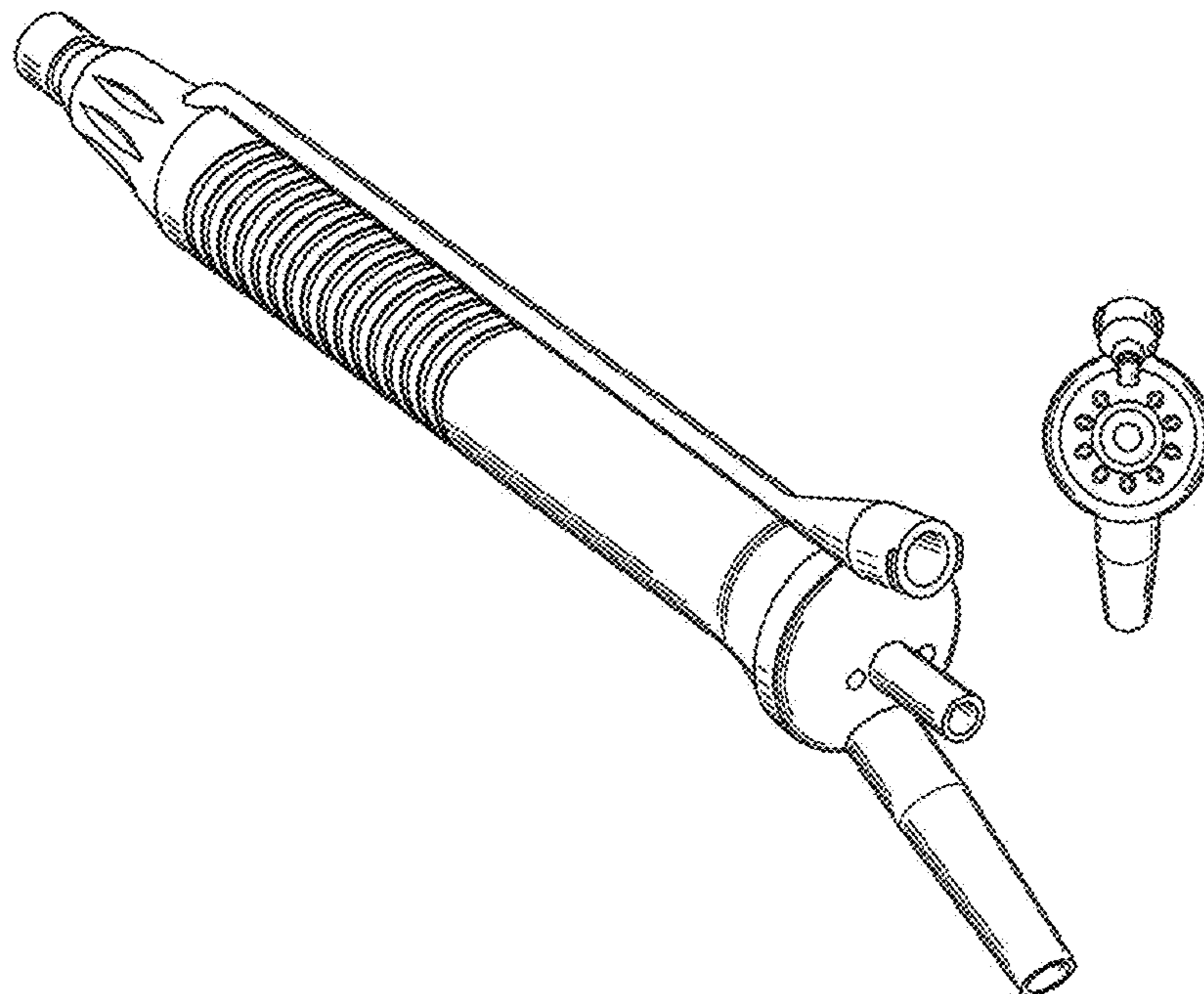
FIG. 7 is a rear view of the phacoemulsification handpiece of the present invention.

(56) **References Cited**

U.S. PATENT DOCUMENTS

D289,687 S *	5/1987	Boyle et al.	D24/112
5,162,044 A *	11/1992	Gahn et al.	604/22
5,702,270 A	12/1997	Casica et al.	
5,733,256 A *	3/1998	Costin	604/22
D440,310 S *	4/2001	Laks et al.	D24/133
6,478,766 B1 *	11/2002	Chon	604/22
6,602,193 B2	8/2003	Chon	
6,852,092 B2 *	2/2005	Kadziauskas et al.	604/22
8,579,929 B2 *	11/2013	Mackool et al.	606/169
2008/0139994 A1 *	6/2008	Mackool et al.	604/22

1 Claim, 4 Drawing Sheets



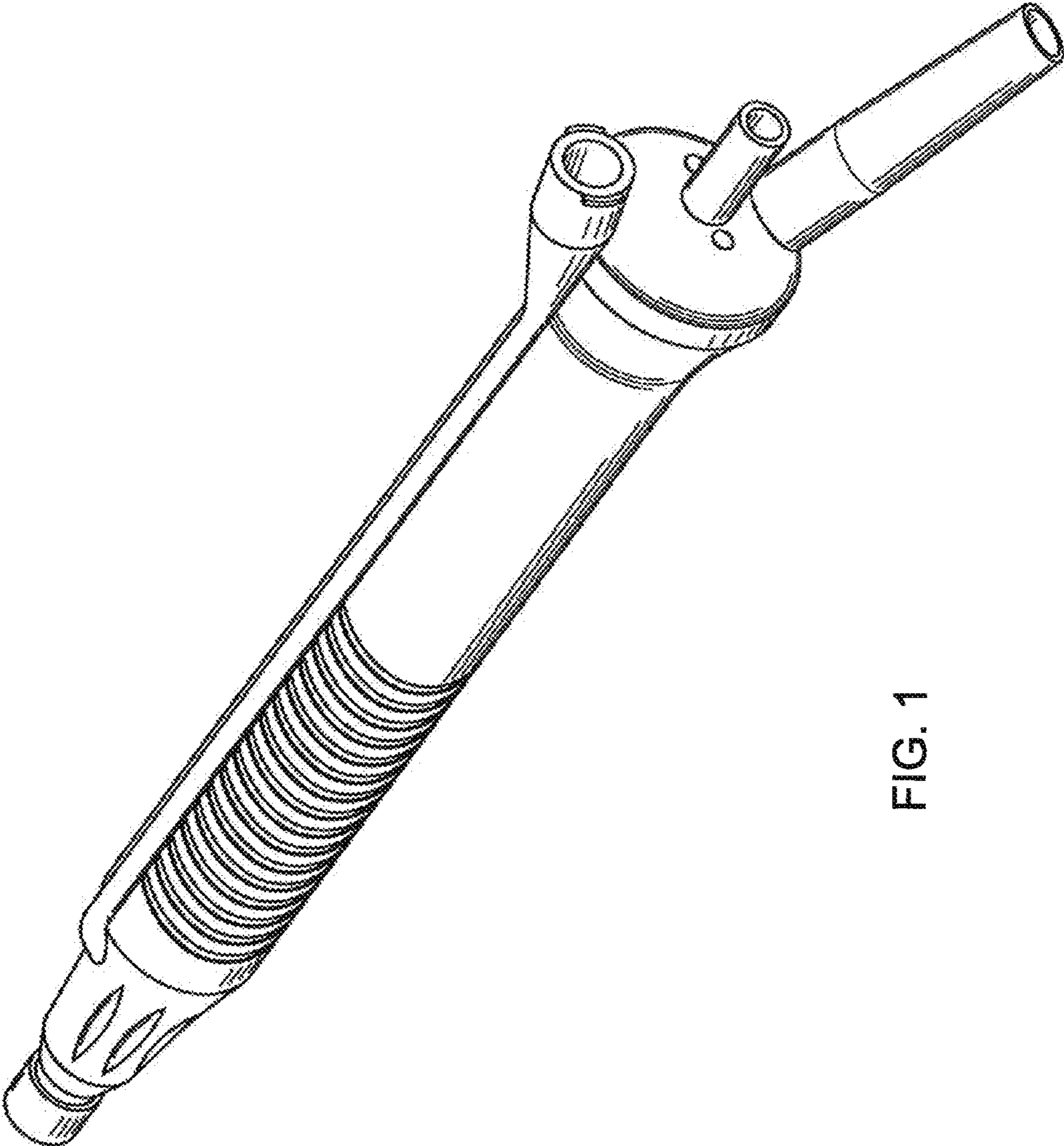


FIG. 1

FIG. 2

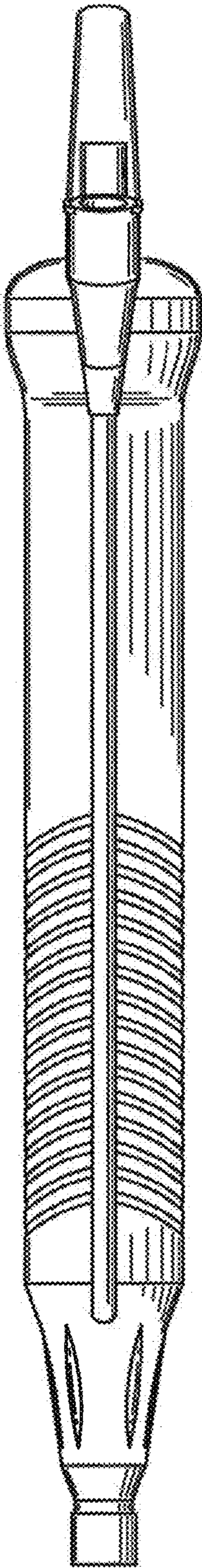


FIG. 3

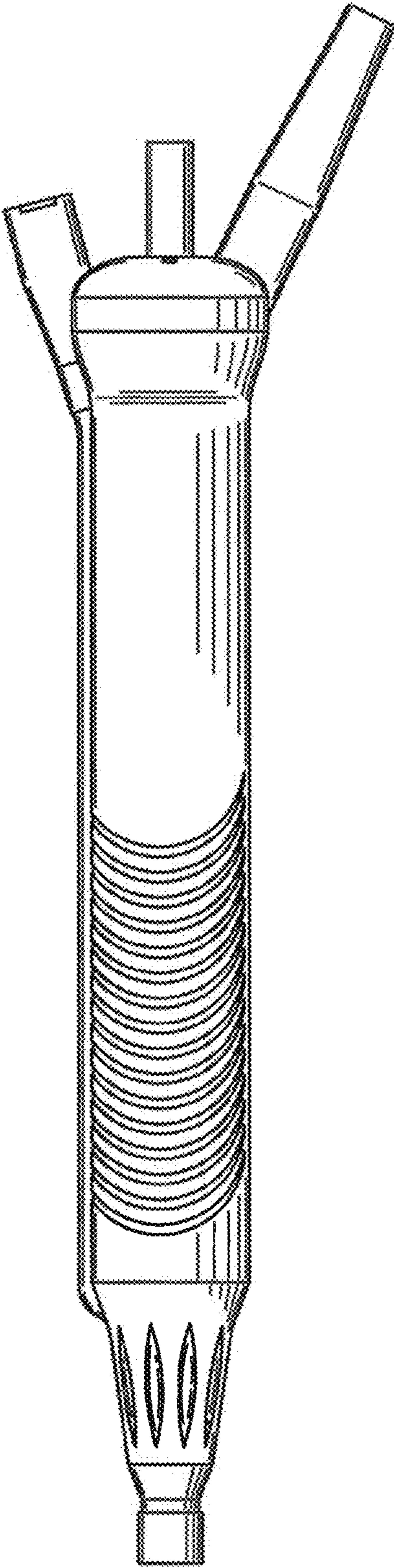


FIG. 4

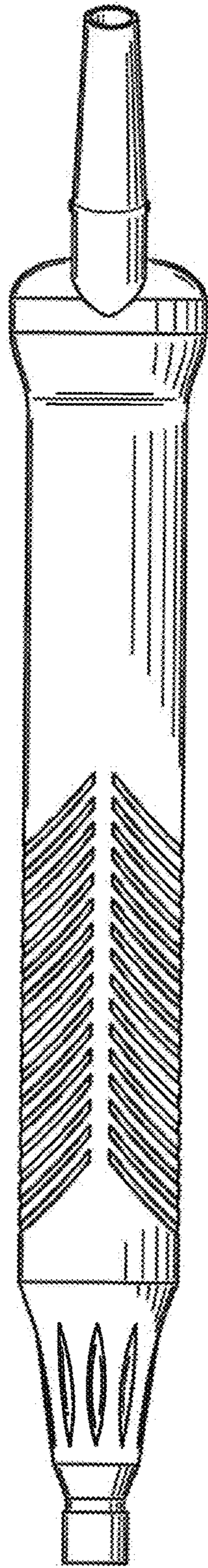
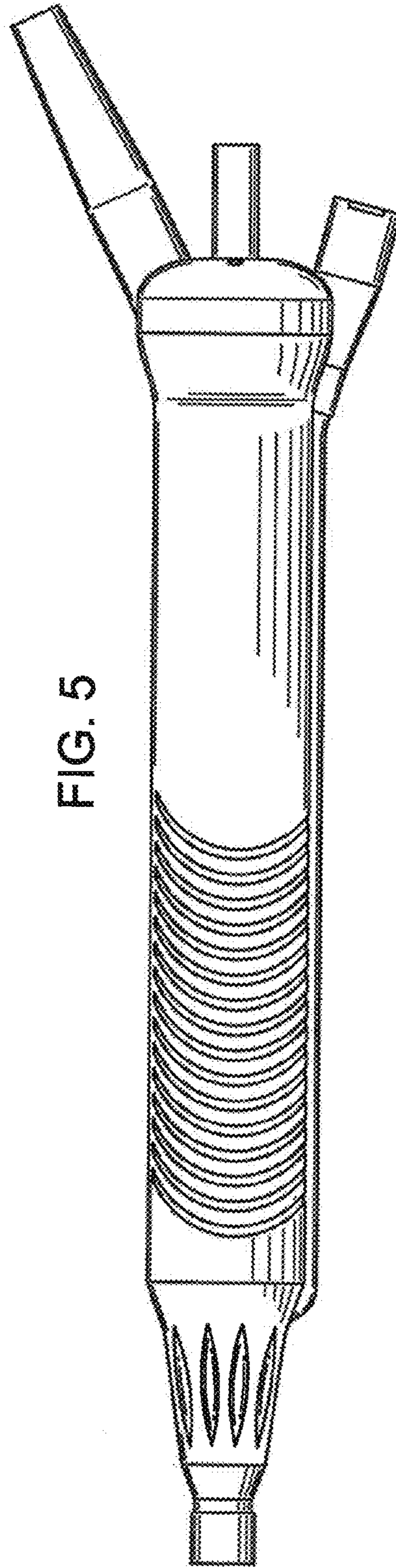


FIG. 5



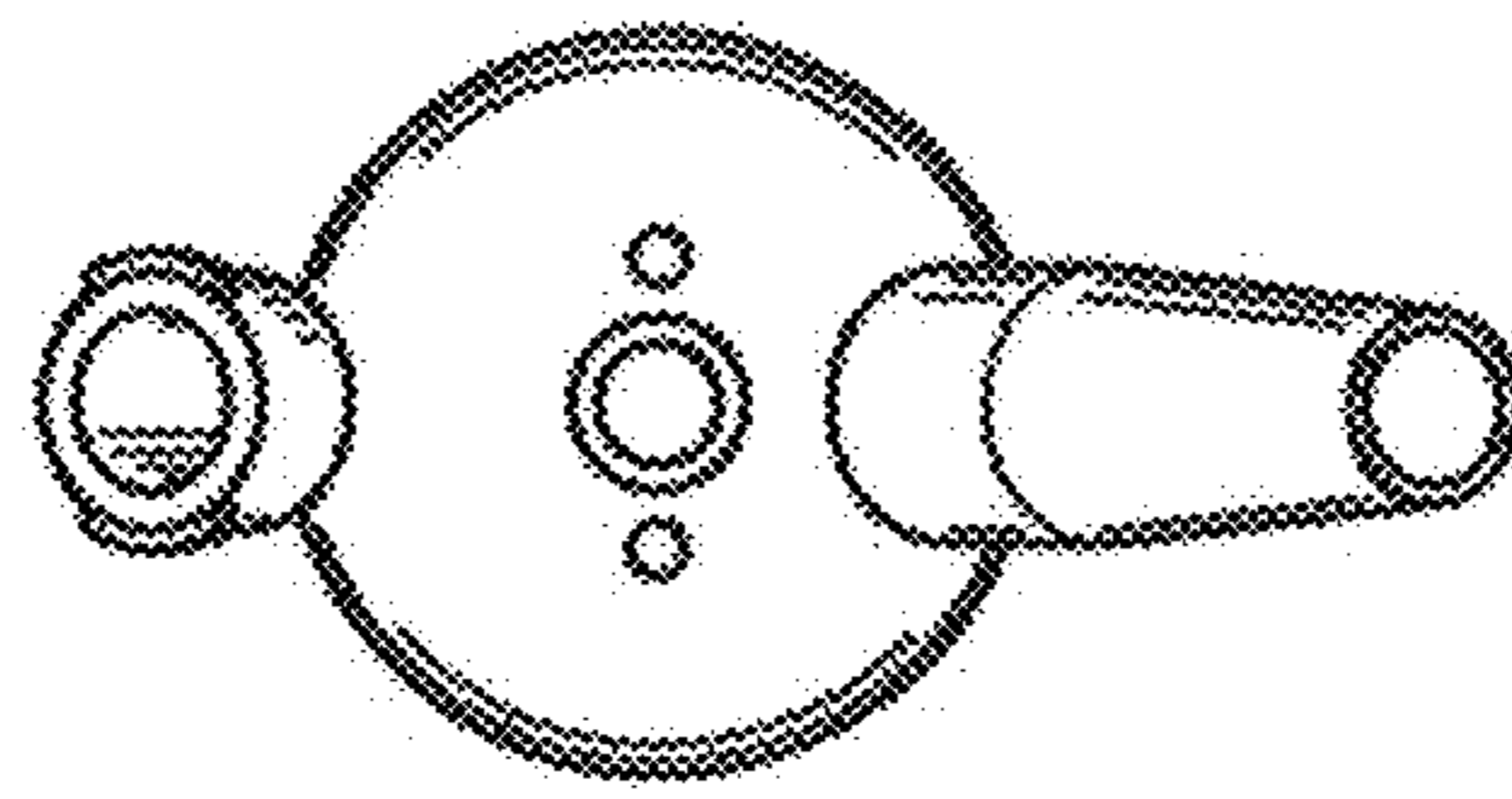


FIG. 7

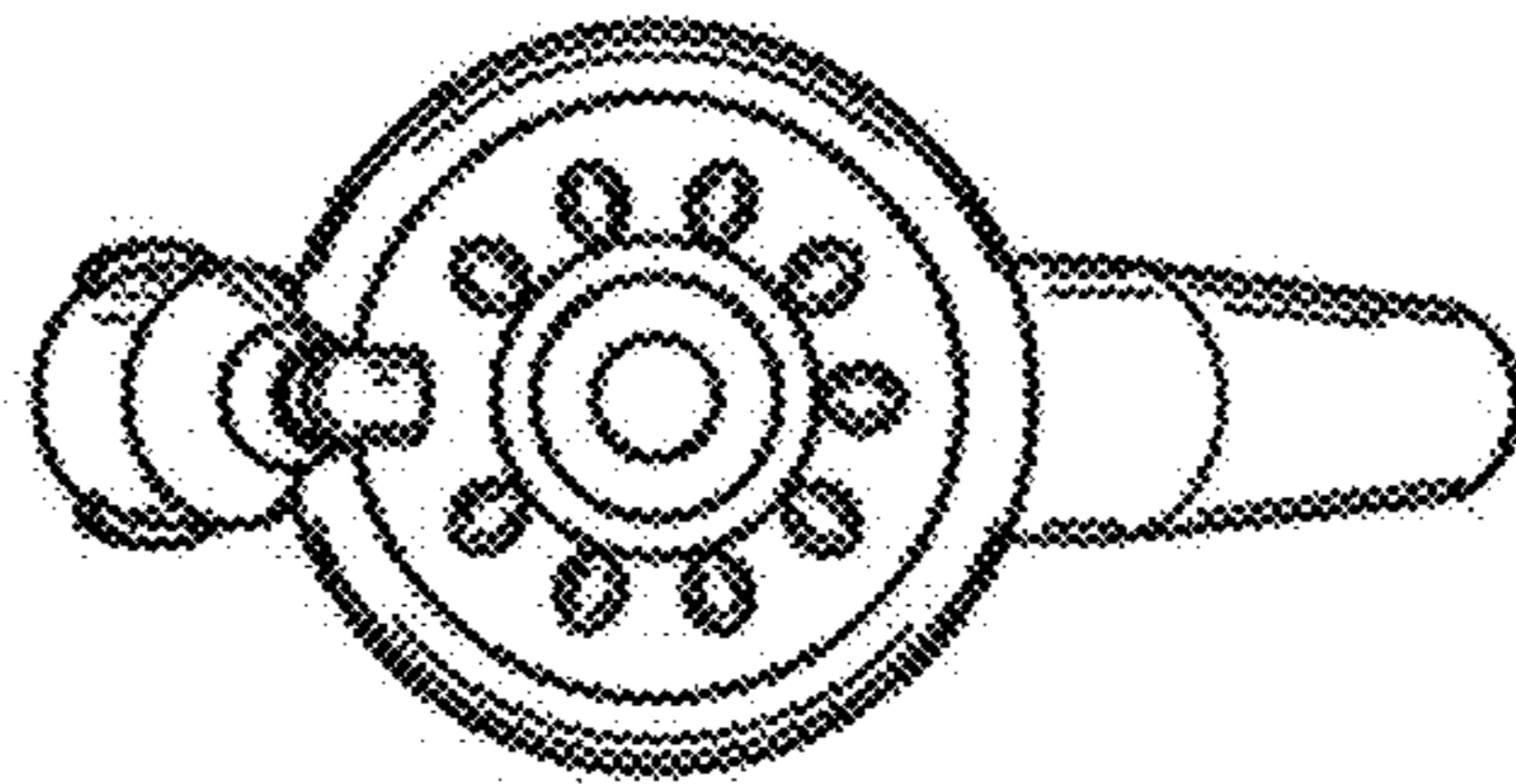


FIG. 6