



US00D704333S

(12) **United States Design Patent**  
**Casey et al.**

(10) **Patent No.:** **US D704,333 S**

(45) **Date of Patent:** **\*\* May 6, 2014**

(54) **HANDPIECE**

(75) Inventors: **Jay Casey**, Memphis, TN (US); **Kevin Edwards**, Olive Branch, MS (US); **John Flynn**, Collierville, TN (US); **Peter Wong**, Arlington, TN (US)

(73) Assignee: **Gyrus ACMI, Inc.**, Southborough, MA (US)

(\*\*) Term: **14 Years**

(21) Appl. No.: **29/430,651**

(22) Filed: **Aug. 28, 2012**

(51) **LOC (10) Cl.** ..... **24-02**

(52) **U.S. Cl.**  
USPC ..... **D24/133**

(58) **Field of Classification Search**  
USPC ..... D24/133, 137, 138, 143, 144, 145, 146,  
D24/147, 148, 149; D8/51, 57, 107; 606/1,  
606/80, 85, 167, 169, 170, 171, 174, 176,  
606/180, 205, 206; 604/22, 27; 600/153,  
600/154, 564

See application file for complete search history.

(56) **References Cited**

**U.S. PATENT DOCUMENTS**

D271,331 S	*	11/1983	Green et al.	.....	D24/145
D454,951 S	*	3/2002	Bon	.....	D24/112
D466,209 S	*	11/2002	Bon	.....	D24/112
D466,213 S	*	11/2002	Snitkin et al.	.....	D24/145
D478,986 S	*	8/2003	Johnston et al.	.....	D24/133
D536,444 S	*	2/2007	Bacher et al.	.....	D24/133
D559,386 S	*	1/2008	Pease et al.	.....	D24/138
D581,051 S	*	11/2008	Melder	.....	D24/138
D631,155 S	*	1/2011	Peine et al.	.....	D24/133
D637,288 S	*	5/2011	Houghton	.....	D24/133
D650,074 S	*	12/2011	Hunt et al.	.....	D24/133

8,236,020 B2	8/2012	Smith et al.	
2011/0251632 A1*	10/2011	Deville et al.	..... 606/169
2013/0085498 A1*	4/2013	Matusaitis et al.	..... 606/80

**OTHER PUBLICATIONS**

“Covidien Unveils Sonicision™ Cordless Ultrasonic Dissection Device and iDrive™ Ultra Powered Stapling System at 2012 American College of Surgeons Clinical Congress”, Business Wire, Oct. 1, 2012. Retrieved from <http://investor.covidien.com/phoenix.zhtml?c=207592&p=irol-newsArticle&id=1739763>.

“Sonicision™ Cordless Ultrasonic Dissection Device: Efficient Assembly Set Up Animation,” (c) 2012. Retrieved from <http://www.covidien.com/videos/pages.aspx?page=videodetail&video=563>.

\* cited by examiner

*Primary Examiner* — Bridget L Eland

(74) *Attorney, Agent, or Firm* — Bonnie R. Shaw; Eric Kurtycz

(57) **CLAIM**

The ornamental design for a handpiece, as shown and described.

**DESCRIPTION**

FIG. 1 is a side perspective view of a handpiece, showing our new design;

FIG. 2 is a top view thereof;

FIG. 3 is a bottom view thereof;

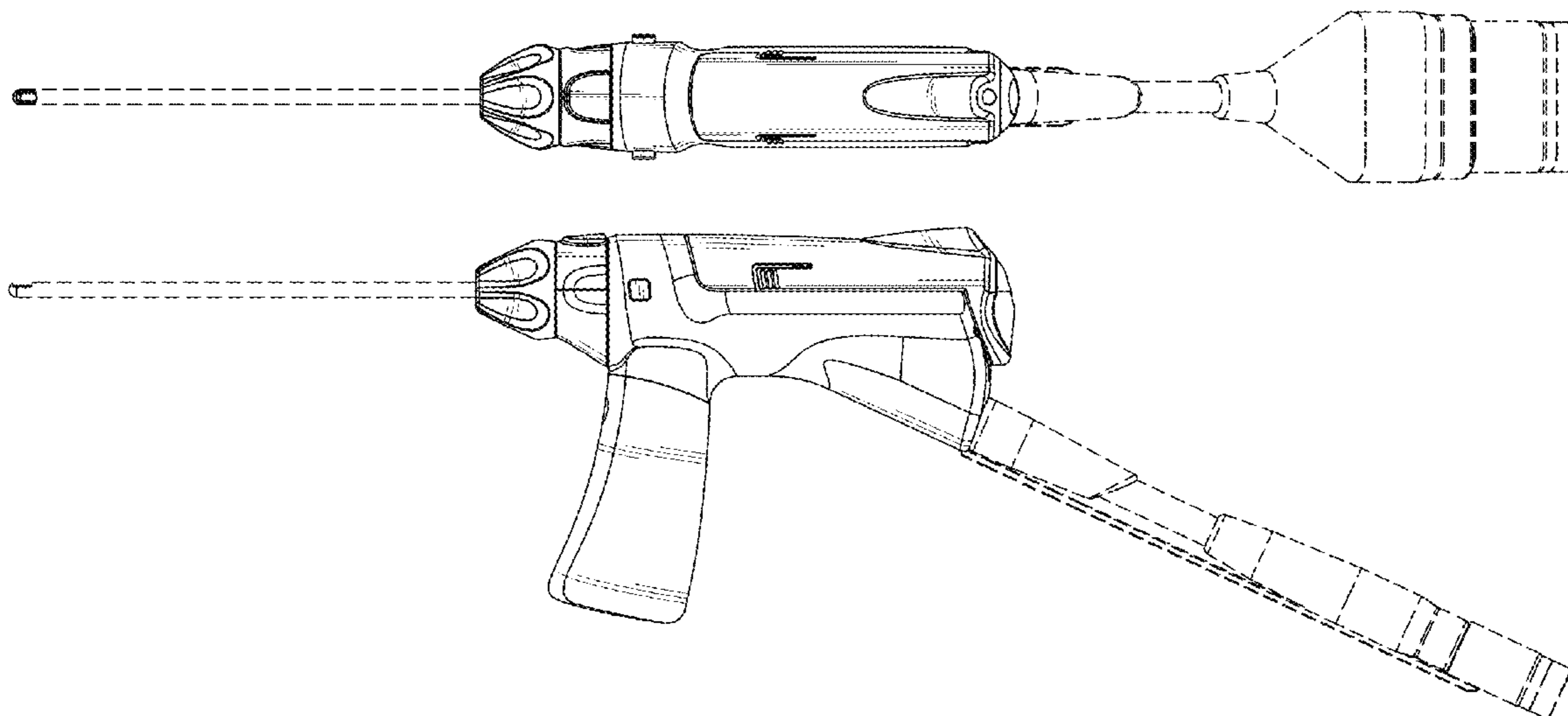
FIG. 4 is a front view thereof;

FIG. 5 is a rear view thereof; and,

FIG. 6 is a left side view thereof, the right side view (not shown) being a mirror image of the left side view.

The broken lines are included for the purpose of illustrating environmental structure and form no part of the claimed design.

**1 Claim, 3 Drawing Sheets**



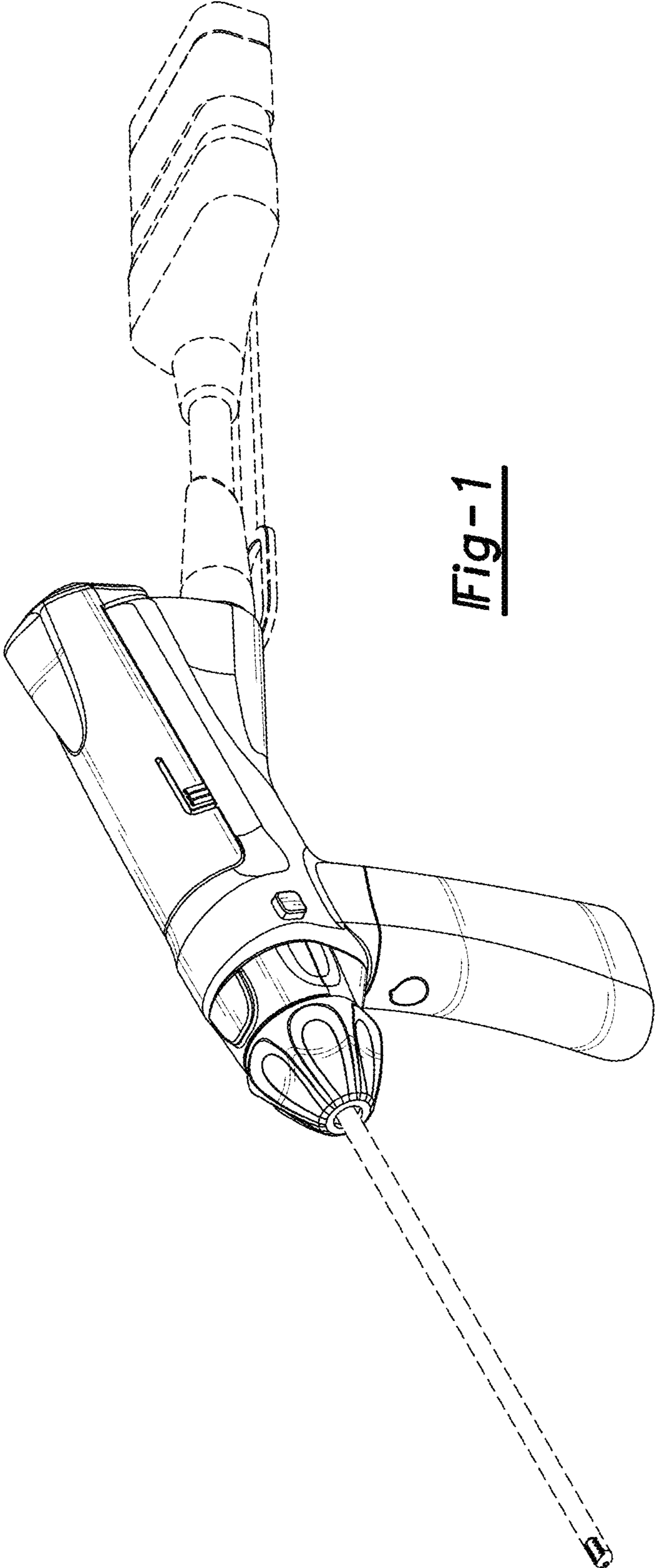


Fig-1

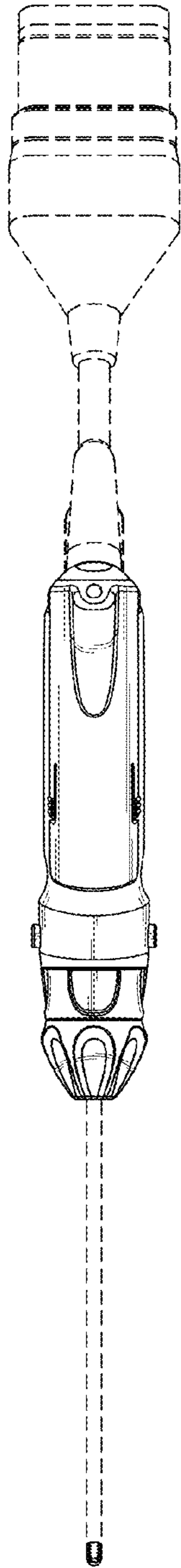


Fig-2

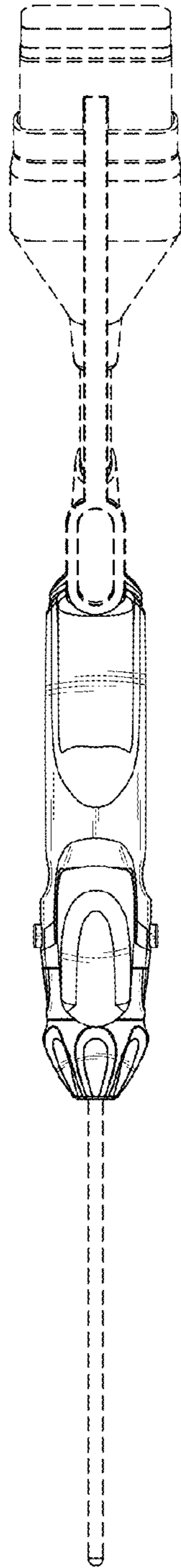


Fig-3

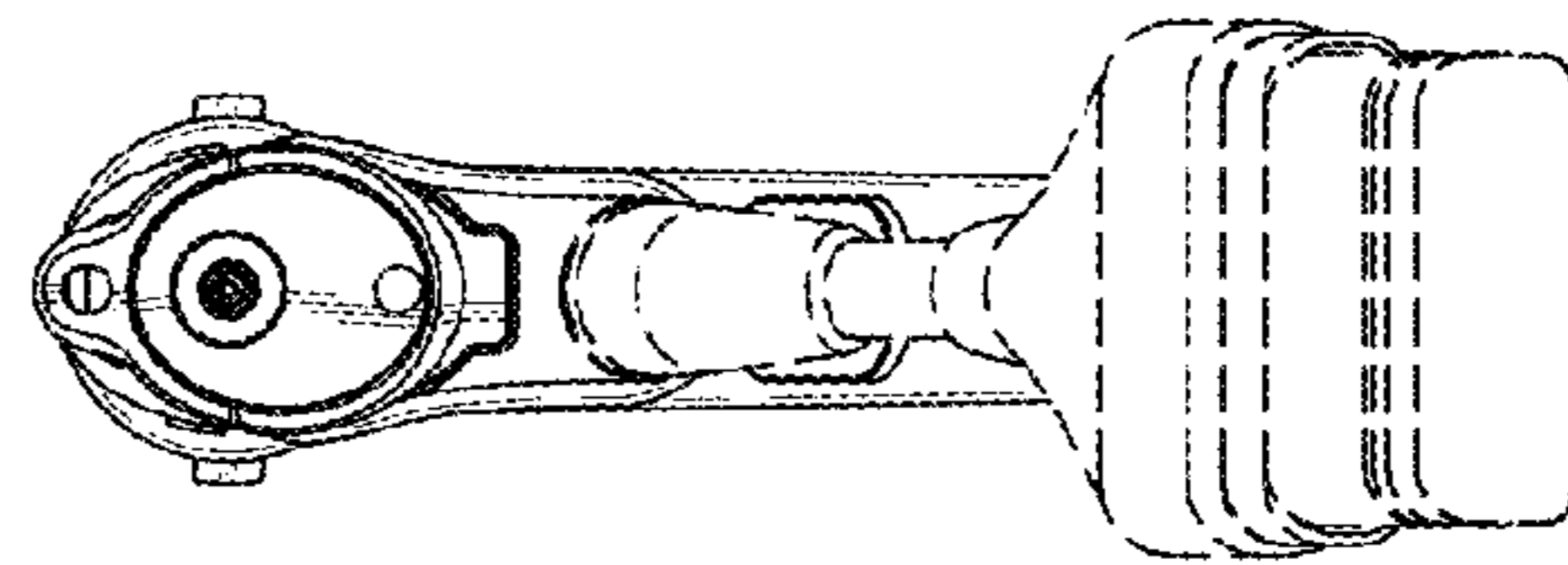


Fig-5

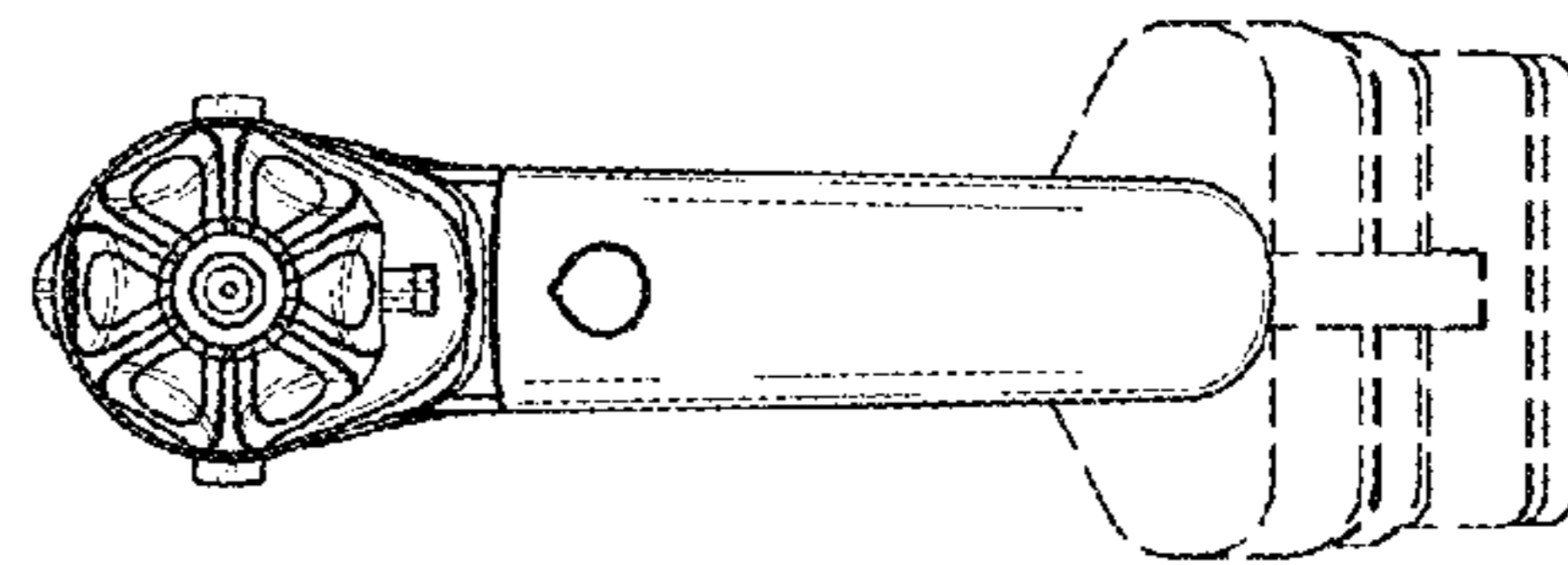


Fig-4

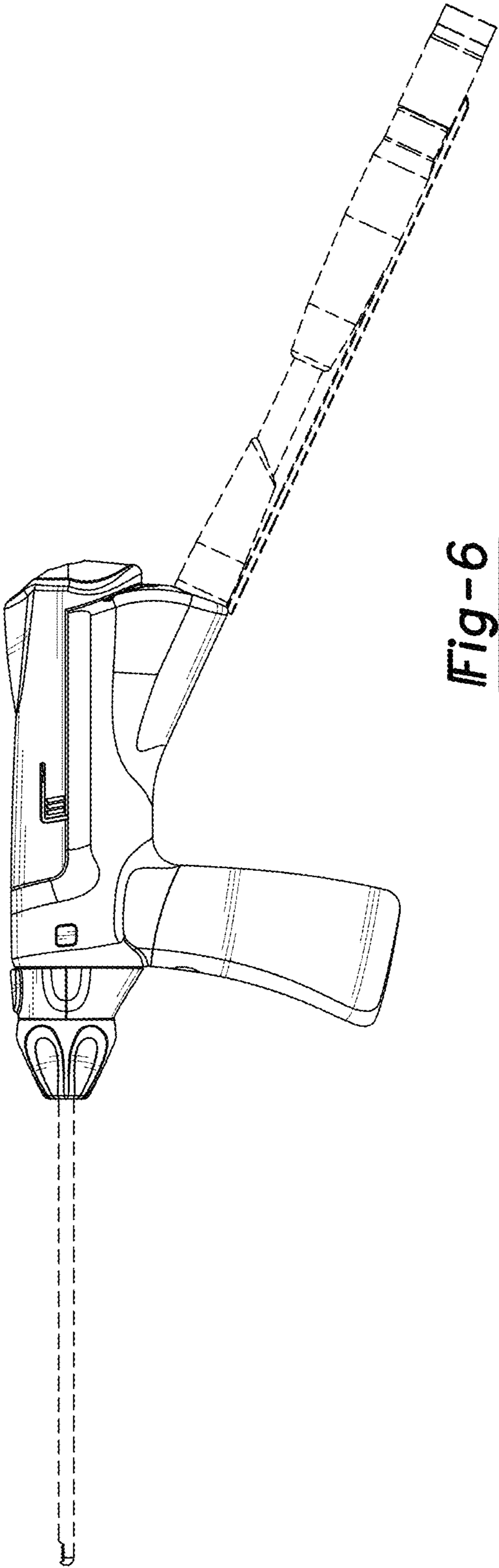


Fig-6