



US00D704332S

(12) **United States Design Patent**
Casey et al.

(10) **Patent No.:** **US D704,332 S**

(45) **Date of Patent:** **** May 6, 2014**

(54) **HANDPIECE**

(75) Inventors: **Jay Casey**, Memphis, TN (US); **Kevin Edwards**, Olive Branch, MS (US); **John Flynn**, Collierville, TN (US); **Peter Wong**, Arlington, TN (US)

(73) Assignee: **Gyrus ACMI, Inc.**, Southborough, MA (US)

(**) Term: **14 Years**

(21) Appl. No.: **29/430,645**

(22) Filed: **Aug. 28, 2012**

(51) **LOC (10) Cl.** **24-02**

(52) **U.S. Cl.**
USPC **D24/133**

(58) **Field of Classification Search**
USPC D24/133, 137, 138, 143, 144, 145, 146,
D24/147, 148, 149; D8/51, 57, 107; 606/1,
606/80, 85, 167, 169, 170, 171, 174, 176,
606/180, 205, 206; 604/22, 27; 600/153,
600/154, 564

See application file for complete search history.

(56) **References Cited**

U.S. PATENT DOCUMENTS

D378,611 S *	3/1997	Croley	D24/144
D537,162 S *	2/2007	Bacher et al.	D24/133
D575,401 S *	8/2008	Hixson et al.	D24/144
D581,051 S *	11/2008	Melder	D24/138
D628,289 S *	11/2010	Romero	D24/133
D628,692 S *	12/2010	Greenhalgh	D24/133
D637,288 S *	5/2011	Houghton	D24/133
D640,789 S *	6/2011	Peine et al.	D24/133
D650,074 S *	12/2011	Hunt et al.	D24/133
D658,759 S *	5/2012	Marescaux et al.	D24/133
8,236,020 B2	8/2012	Smith et al.		

D691,718 S *	10/2013	Ryan et al.	D24/133
D693,466 S *	11/2013	Dallemagne et al.	D24/144
2007/0021766 A1 *	1/2007	Belagali et al.	606/180

OTHER PUBLICATIONS

“Covidien Unveils Sonicision™ Cordless Ultrasonic Dissection Device and iDrive™ Ultra Powered Stapling System at 2012 American College of Surgeons Clinical Congress”, Business Wire, Oct. 1, 2012. Retrieved from <http://investor.covidien.com/phoenix.zhtml?c=207592&p=irol-newsArticle&id=1739763>.

“Sonicision™ Cordless Ultrasonic Dissection Device: Efficient Assembly Set Up Animation.” (c) 2012. Retrieved from <http://www.covidien.com/videos/pages.aspx?page=videodetail&video=563>.

* cited by examiner

Primary Examiner — Bridget L Eland

(74) *Attorney, Agent, or Firm* — Bonnie R. Shaw; Eric Kurtycz

(57) **CLAIM**

The ornamental design for a handpiece, as shown and described.

DESCRIPTION

FIG. 1 is a side perspective view of a handpiece, showing our new design;

FIG. 2 is a front view thereof;

FIG. 3 is a rear view thereof;

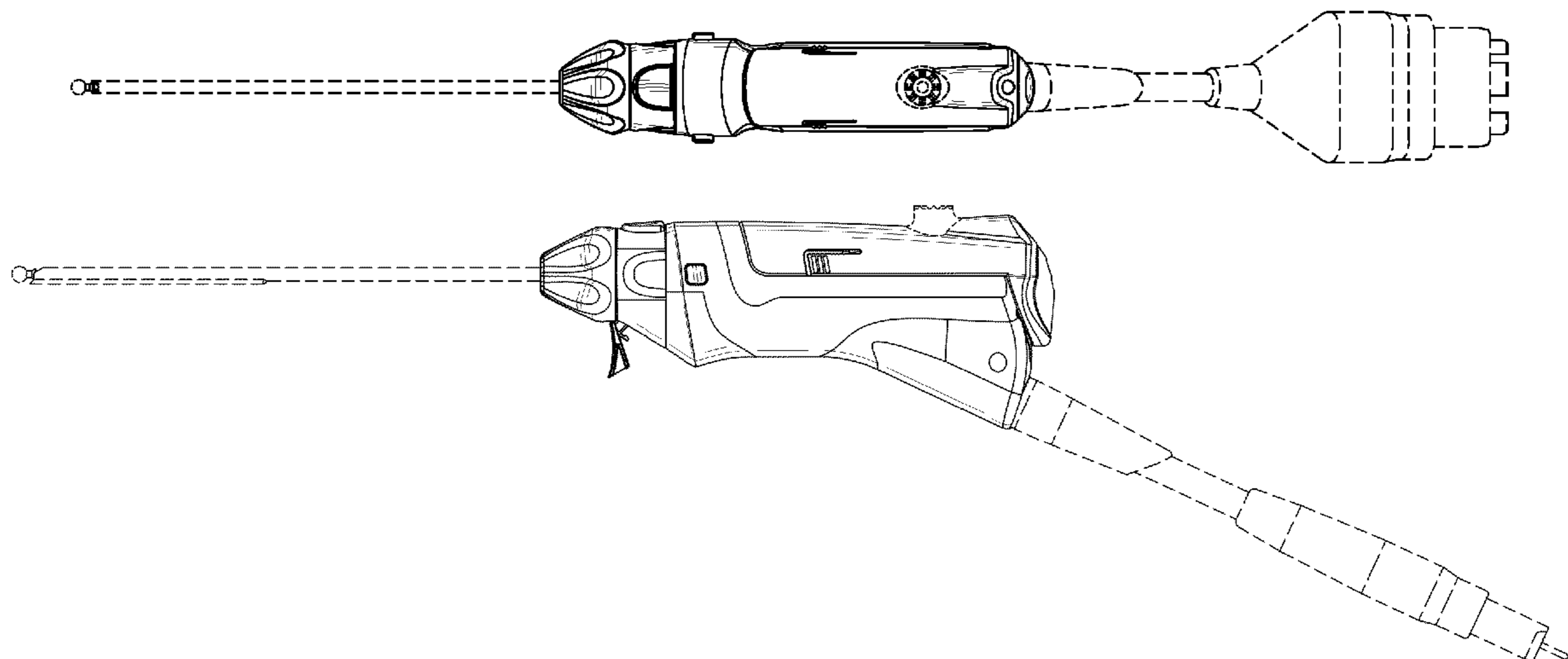
FIG. 4 is a bottom view thereof;

FIG. 5 is a top view thereof; and,

FIG. 6 is a left side view thereof, the right side view (not shown) being a mirror image of the left side view.

The broken lines are included for the purpose of illustrating environmental structure and form no part of the claimed design.

1 Claim, 3 Drawing Sheets



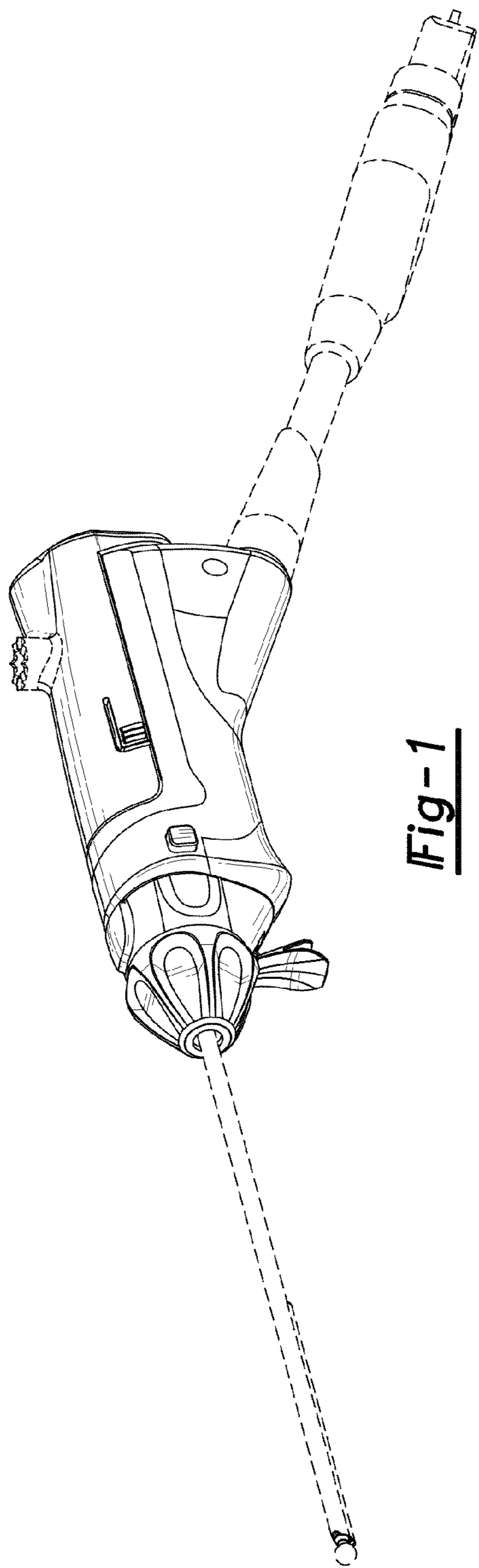


Fig-1

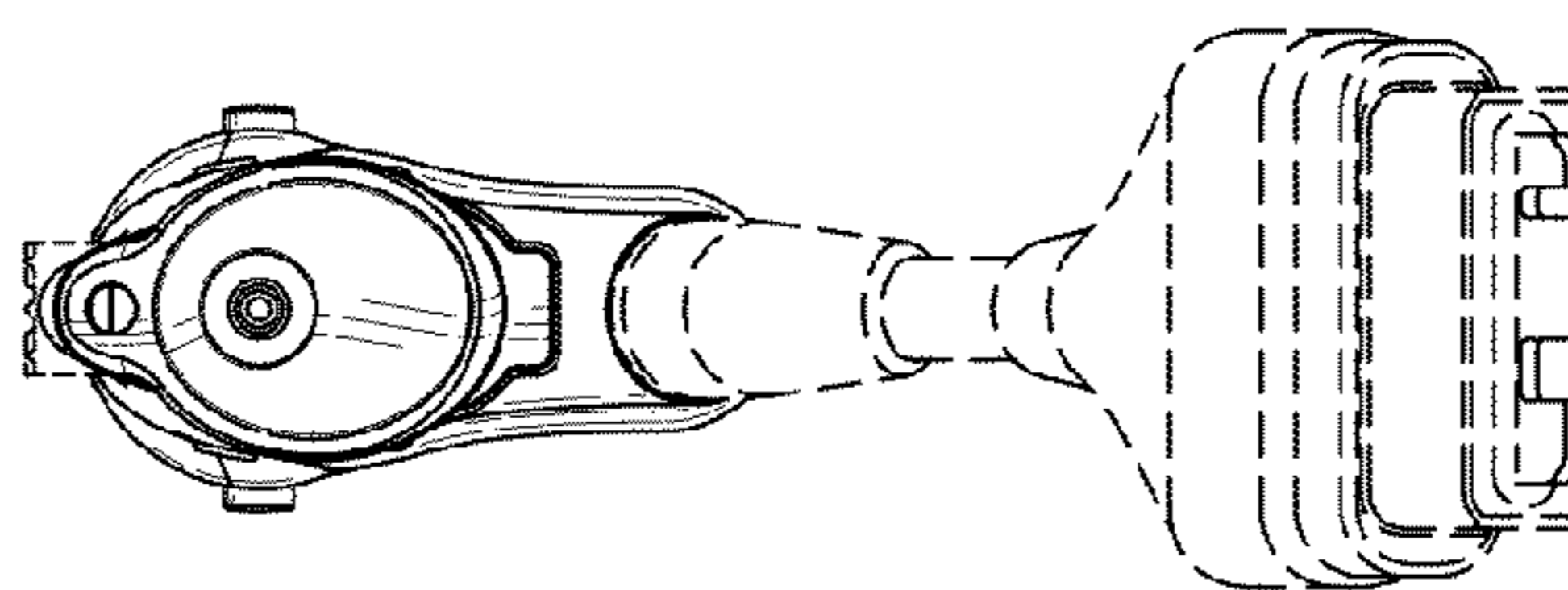


Fig-3

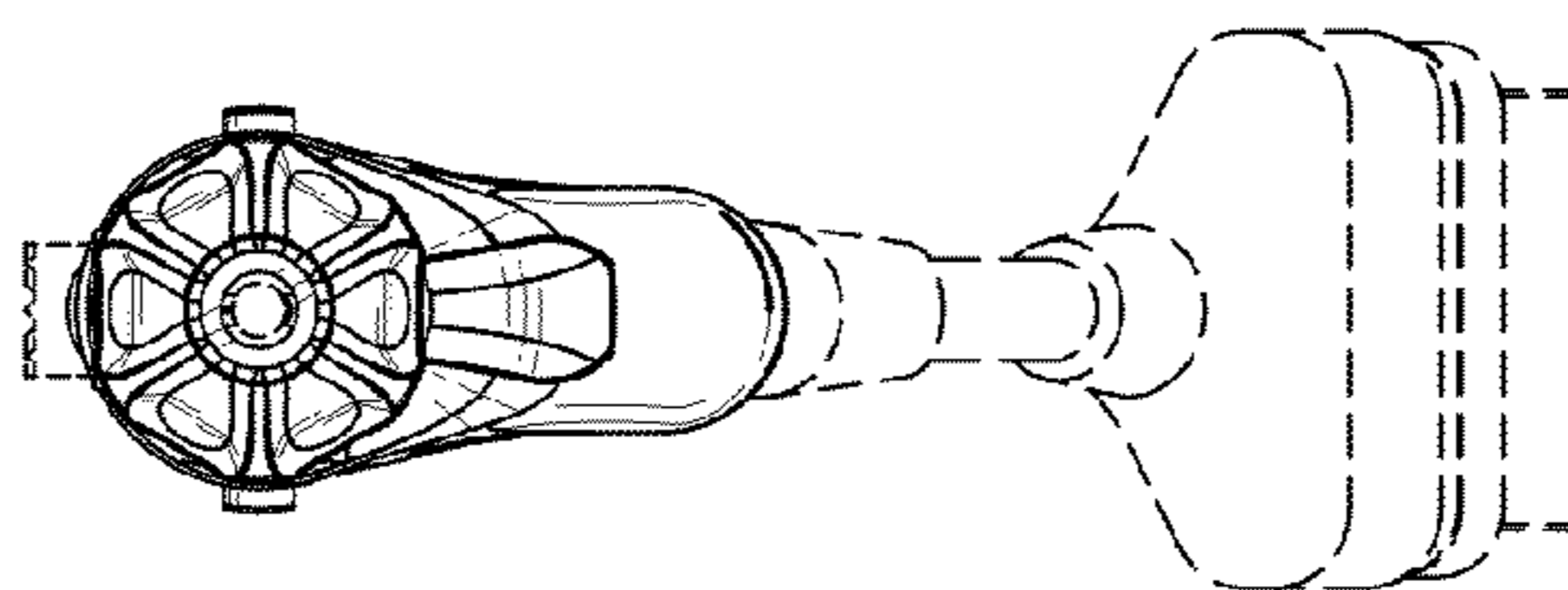


Fig-2

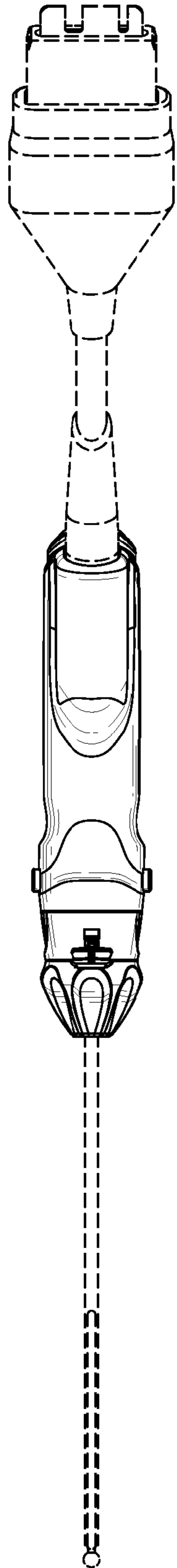


Fig-4

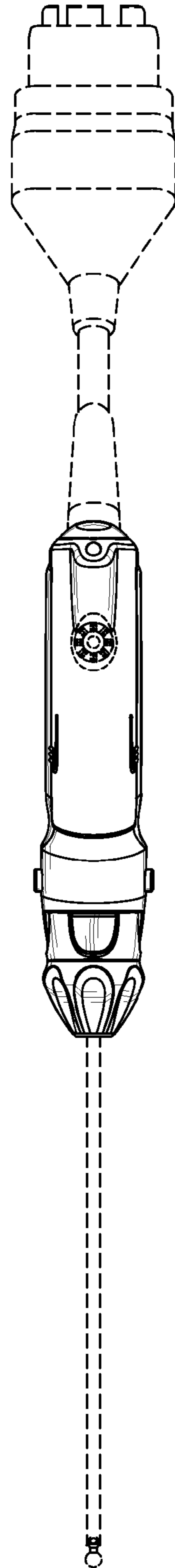


Fig-5

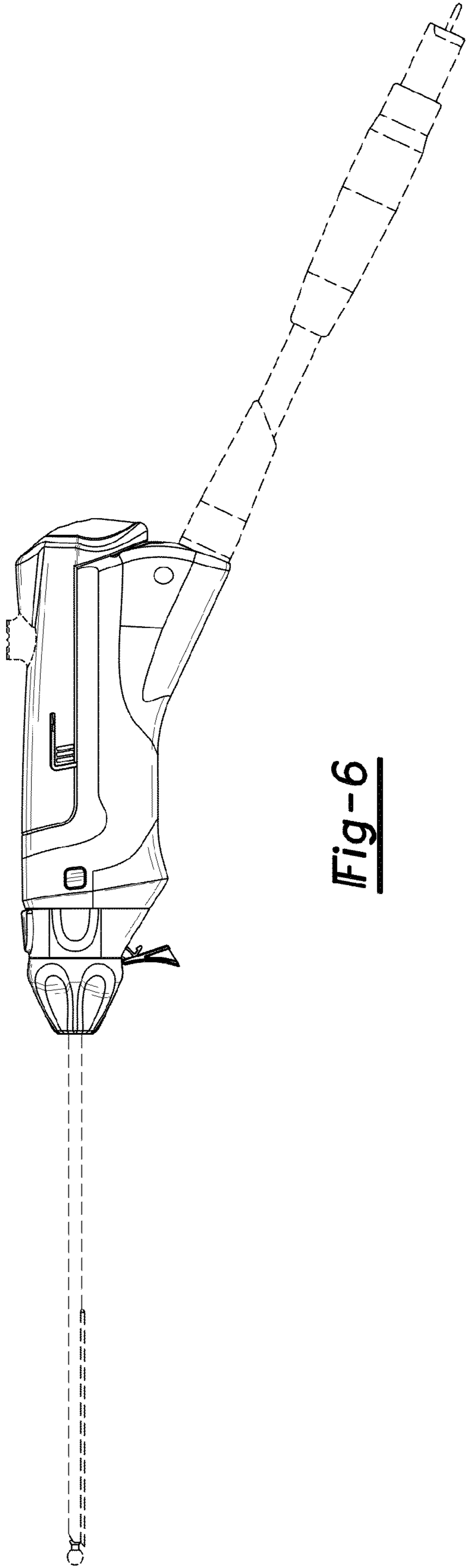


Fig-6