



US00D704330S

(12) **United States Design Patent**  
**Cicatelli**

(10) **Patent No.:** **US D704,330 S**

(45) **Date of Patent:** **\*\* May 6, 2014**

(54) **MALE CATHETER DEVICE**

(71) Applicant: **John A. Cicatelli**, Bookeelia, FL (US)

(72) Inventor: **John A. Cicatelli**, Bookeelia, FL (US)

(\*\*) Term: **14 Years**

(21) Appl. No.: **29/432,539**

(22) Filed: **Sep. 17, 2012**

**Related U.S. Application Data**

(63) Continuation-in-part of application No. 12/572,128, filed on Oct. 1, 2009, now abandoned.

(51) **LOC (10) Cl.** ..... **24-04**

(52) **U.S. Cl.**  
USPC ..... **D24/122**

(58) **Field of Classification Search**  
USPC ..... D24/121-123, 224, 124; D23/274, 302, D23/295, 309, 200; 4/144.1-144.4, 459, 4/460; 604/349, 329, 317, 318, 334; 600/573, 574; D7/700

See application file for complete search history.

(56) **References Cited**

**U.S. PATENT DOCUMENTS**

2,816,551	A	12/1957	Raiche	
3,749,096	A	7/1973	Donaldson	
4,020,843	A	5/1977	Kanall	
4,378,018	A *	3/1983	Alexander et al.	600/573
4,387,726	A *	6/1983	Denard	600/573
4,475,909	A	10/1984	Eisenberg	
4,568,340	A	2/1986	Giacalone	
4,656,675	A *	4/1987	Fajnsztajn	4/144.4
4,668,229	A	5/1987	Fago et al.	
4,997,427	A	3/1991	Bowen	
5,084,037	A *	1/1992	Barnett	604/349
5,158,556	A	10/1992	Starley	
5,267,990	A *	12/1993	Cross et al.	604/349
5,331,689	A *	7/1994	Haq	4/144.1
5,346,483	A	9/1994	Thaxton, Sr.	

D358,882	S	5/1995	Metz et al.	
5,593,389	A	1/1997	Chang	
5,741,240	A *	4/1998	Olsen	604/349
5,797,890	A	8/1998	Gouldter et al.	
6,113,582	A	9/2000	Dwork	
6,223,751	B1	5/2001	Park	
6,248,096	B1	6/2001	Dwork et al.	
6,311,339	B1 *	11/2001	Kraus	4/144.3
6,342,049	B1 *	1/2002	Nichols	604/329
6,551,293	B1	4/2003	Mitchell	
6,635,037	B1	10/2003	Bennett	
7,018,367	B2 *	3/2006	Nava	604/349
7,160,276	B2	1/2007	Bruns	
D575,866	S *	8/2008	Schmidt	D24/122
7,476,219	B2	1/2009	Ben Youssef	
D589,610	S *	3/2009	Dubose, Jr.	D24/124
7,749,206	B2	7/2010	Mayfield	
8,261,376	B1 *	9/2012	Walker	4/144.4
2002/0193763	A1	12/2002	Kulikov	
2003/0018321	A1	1/2003	Rosenblum	
2003/0149409	A1	8/2003	Lin	
2004/0087921	A1	5/2004	Guldfeldt et al.	
2007/0073252	A1	3/2007	Forgrave	

\* cited by examiner

*Primary Examiner* — David Muller

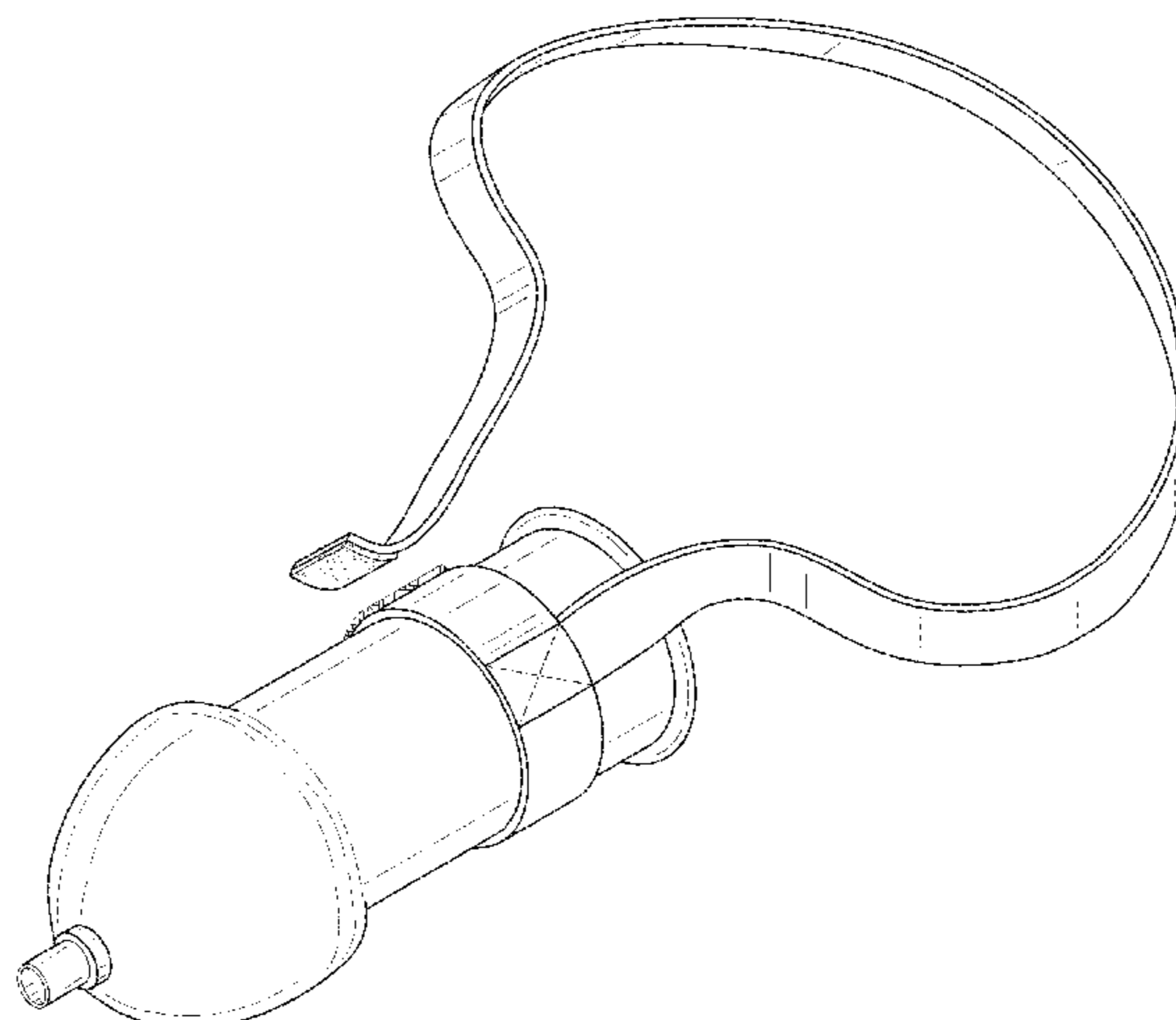
(57) **CLAIM**

The ornamental design for an male catheter device, as shown and described.

**DESCRIPTION**

FIG. 1 is a perspective view of an male catheter device showing my new design;  
FIG. 2 is a top view thereof;  
FIG. 3 is bottom view thereof;  
FIG. 4 is a back view thereof;  
FIG. 5 is a front view thereof;  
FIG. 6 is a side view thereof; and,  
FIG. 7 is an opposite side view thereof.  
In FIGS. 1, 2 and 6, the broken lines represent stitching and form part of the claimed design.

**1 Claim, 5 Drawing Sheets**



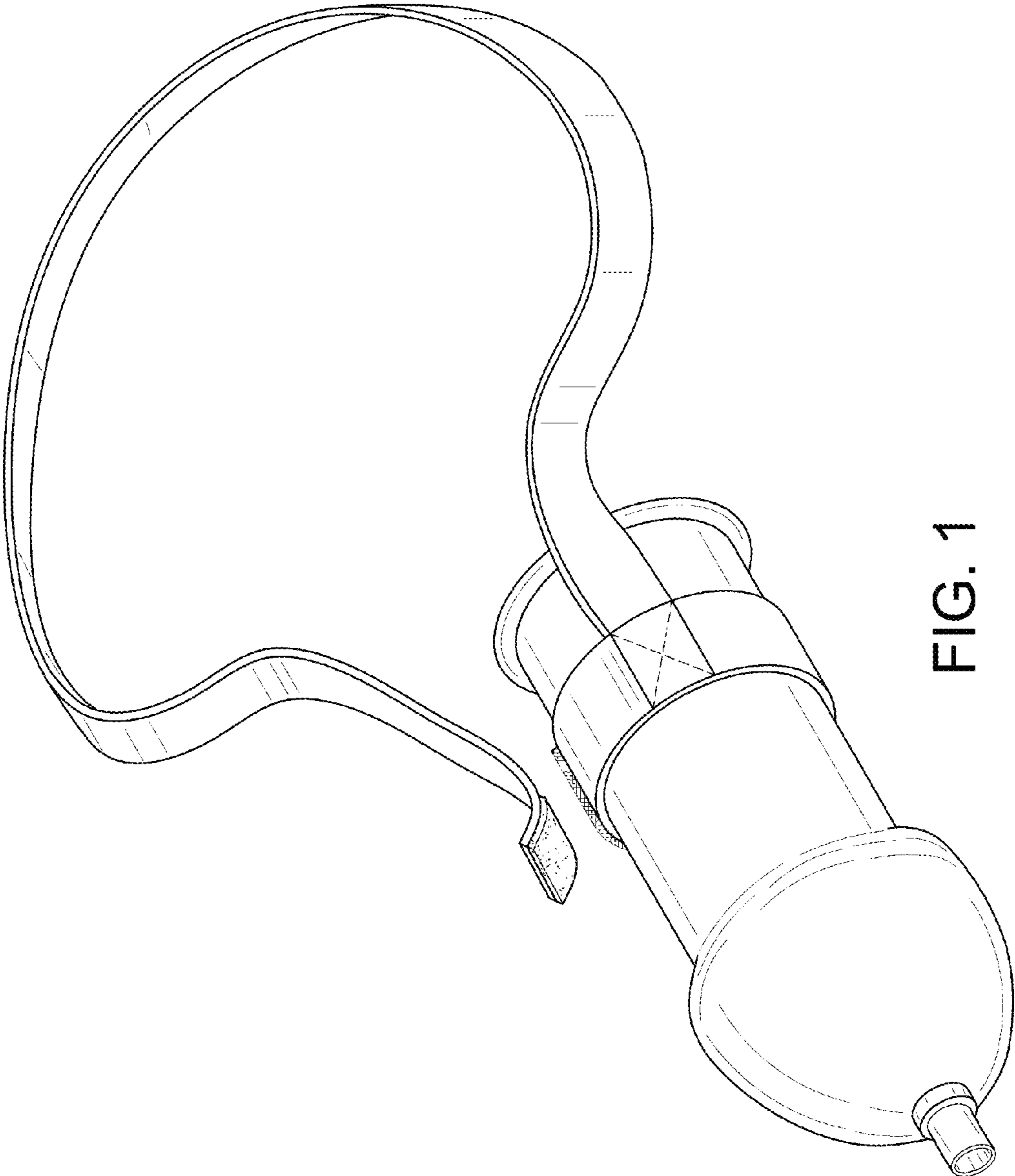


FIG. 1

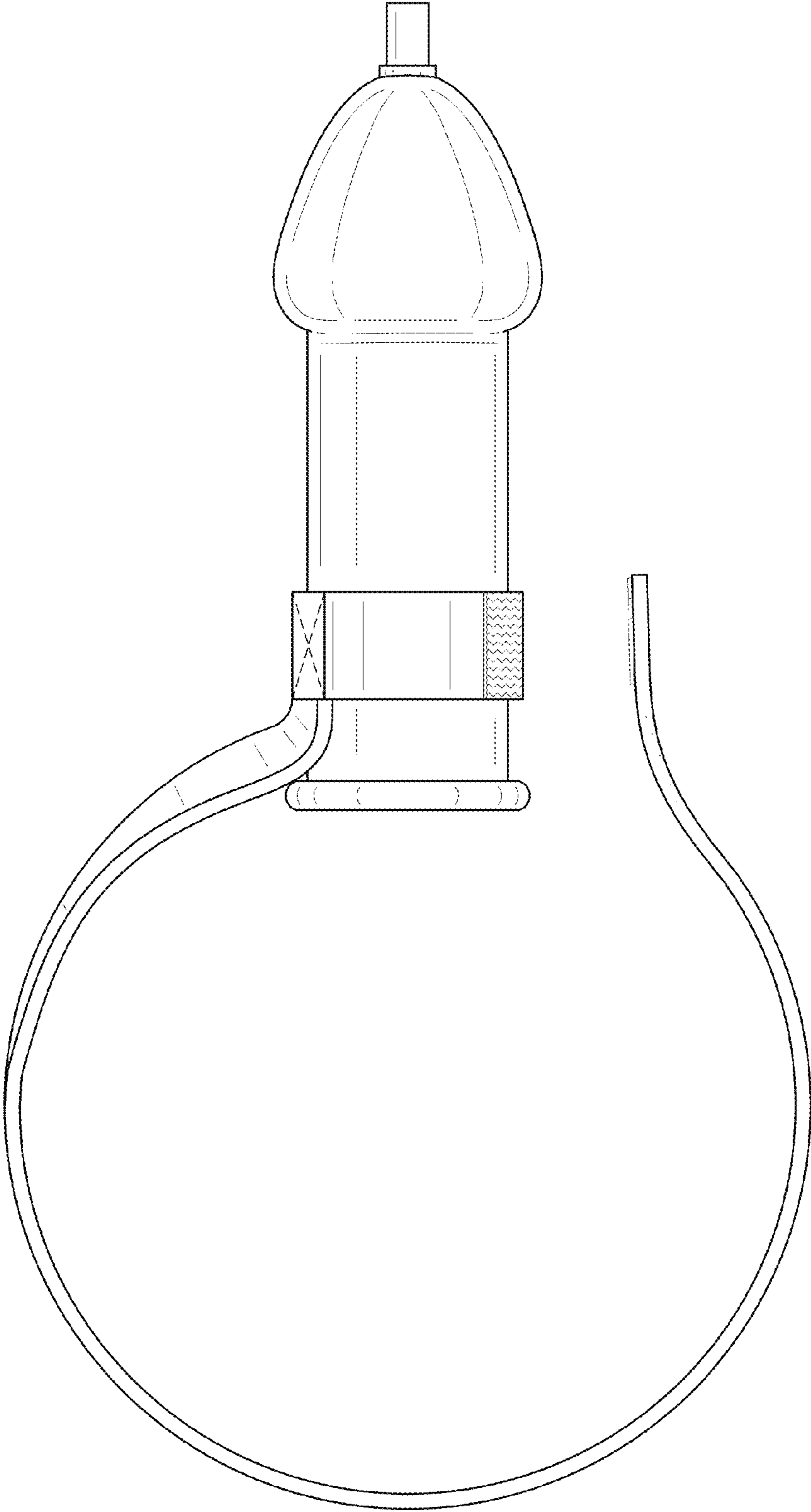


FIG. 2

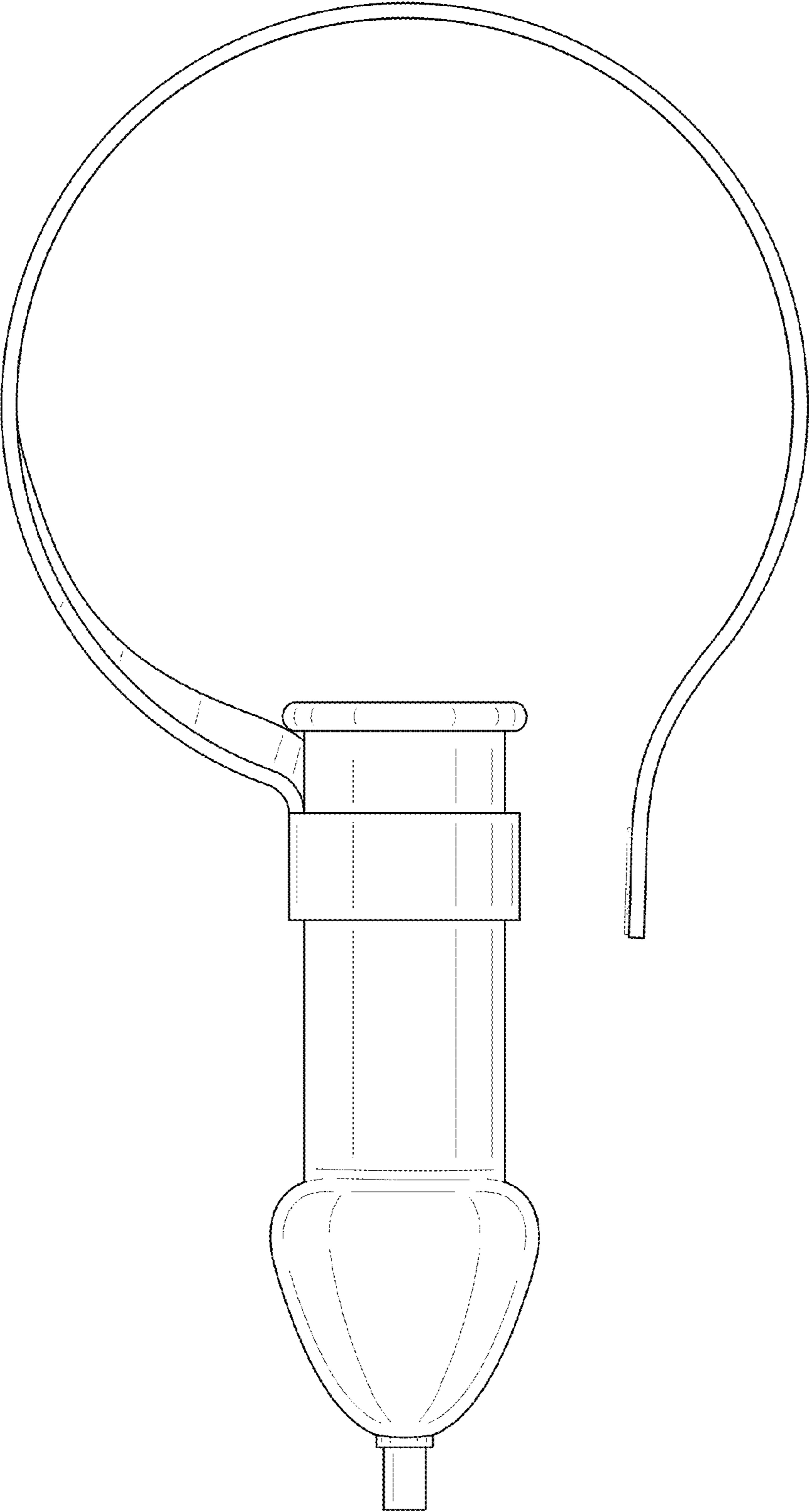


FIG. 3

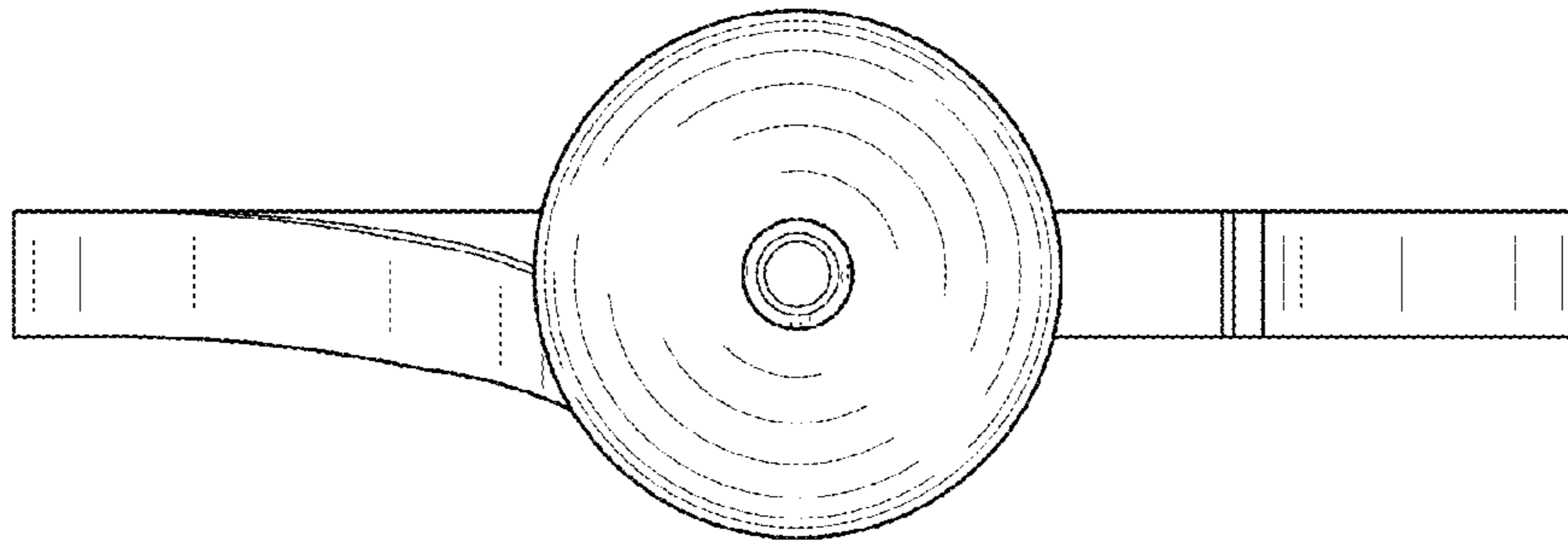


FIG. 5

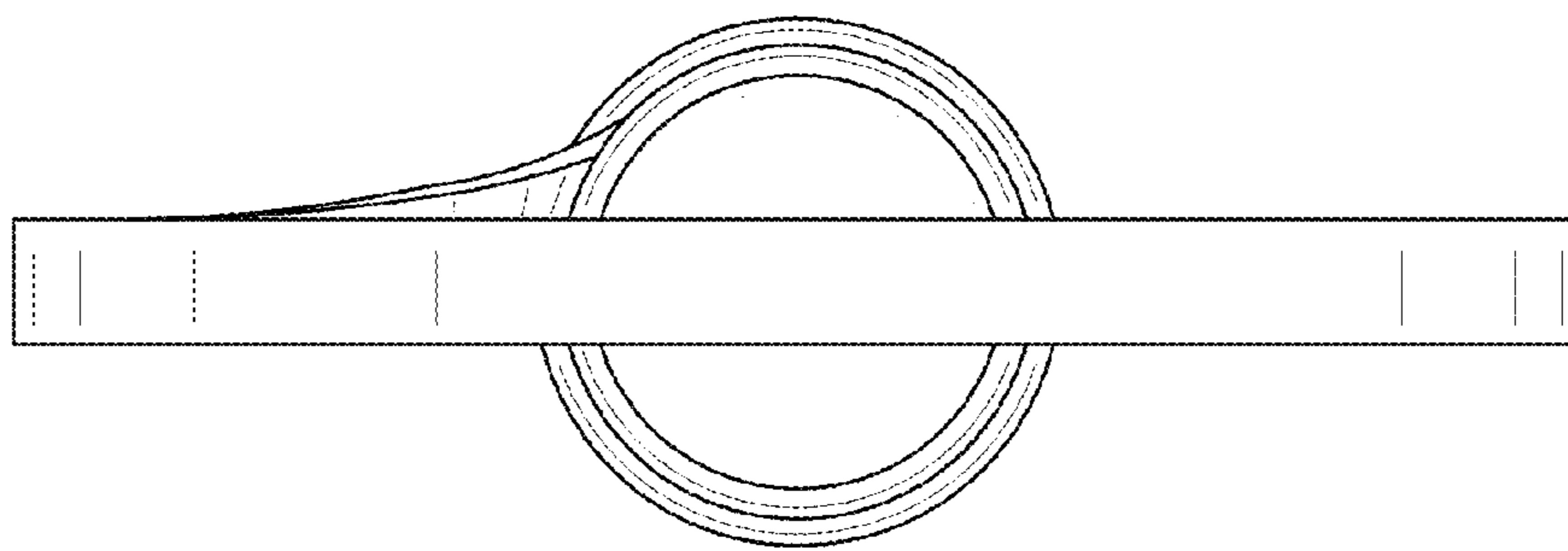


FIG. 4

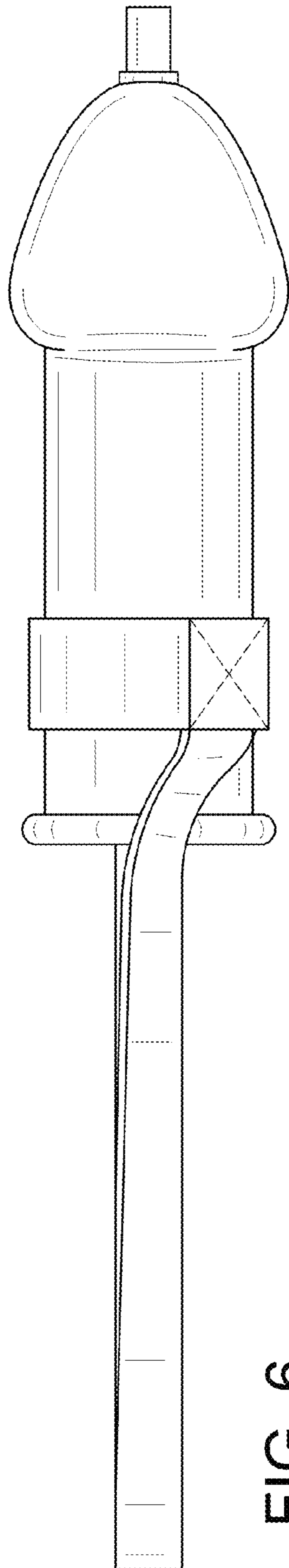


FIG. 6

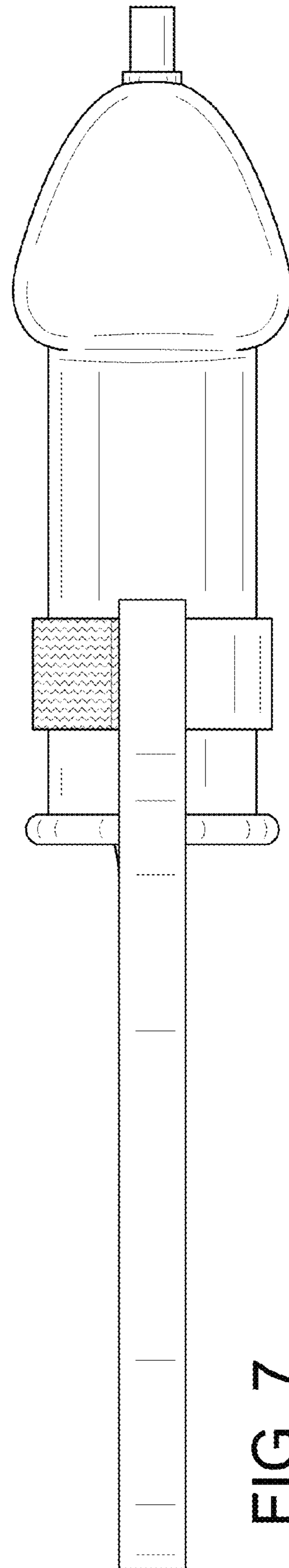


FIG. 7