



US00D704328S

(12) **United States Design Patent**
Lavoie

(10) **Patent No.:** **US D704,328 S**
(45) **Date of Patent:** **** May 6, 2014**

(54) **GAS MASK WITH THERMAL SENSOR**

6,160,666 A 12/2000 Rallison et al.
6,606,114 B1 * 8/2003 Gordon et al. 348/64
6,717,737 B1 4/2004 Haglund

(71) Applicant: **BAE Systems Information and Electronic Systems Integration Inc., Nashua, NH (US)**

(Continued)

(72) Inventor: **Barry Lavoie, Lowell, MA (US)**

FOREIGN PATENT DOCUMENTS

(73) Assignee: **BAE Systems Information and Electronic Systems Integration Inc., Nashua, NH (US)**

JP 2011145578 1/2010

(**) Term: **14 Years**

OTHER PUBLICATIONS

(21) Appl. No.: **29/471,165**

Survivair SCBA: Business & Industrial | eBay. (n.d.). Electronics, Cars, Fashion, Collectibles, Coupons and More Online Shopping | eBay. Retrieved Oct. 14, 2013, from <http://www.ebay.com/bhp/survivair-scba>.

(22) Filed: **Oct. 29, 2013**

(Continued)

Related U.S. Application Data

(63) Continuation-in-part of application No. 13/833,172, filed on Mar. 15, 2013.

Primary Examiner — Ian Simmons

Assistant Examiner — Richelle G Shelton

(74) *Attorney, Agent, or Firm* — Sand & Sebolt

(51) **LOC (10) Cl.** **29-02**

(52) **U.S. Cl.**
USPC **D24/110.2**

(57) **CLAIM**

The ornamental design for gas mask with thermal sensor, as shown and described.

(58) **Field of Classification Search**
USPC D24/110.1–110.4; D29/103, 110;
128/204.18, 204.21, 204.23, 206.12,
128/206.23, 206.24, 206.28, 207.12;
348/164; 359/815; 600/537; 607/140
See application file for complete search history.

DESCRIPTION

FIG. 1 is a front elevation view of the gas mask with thermal sensor of the present invention.

FIG. 2 is a right side elevation view of the gas mask with thermal sensor.

FIG. 3 is a left side elevation view of the gas mask with thermal sensor.

FIG. 4 is a top plan view of the gas mask with thermal sensor; and,

FIG. 5 is a bottom plan view of the gas mask with thermal sensor.

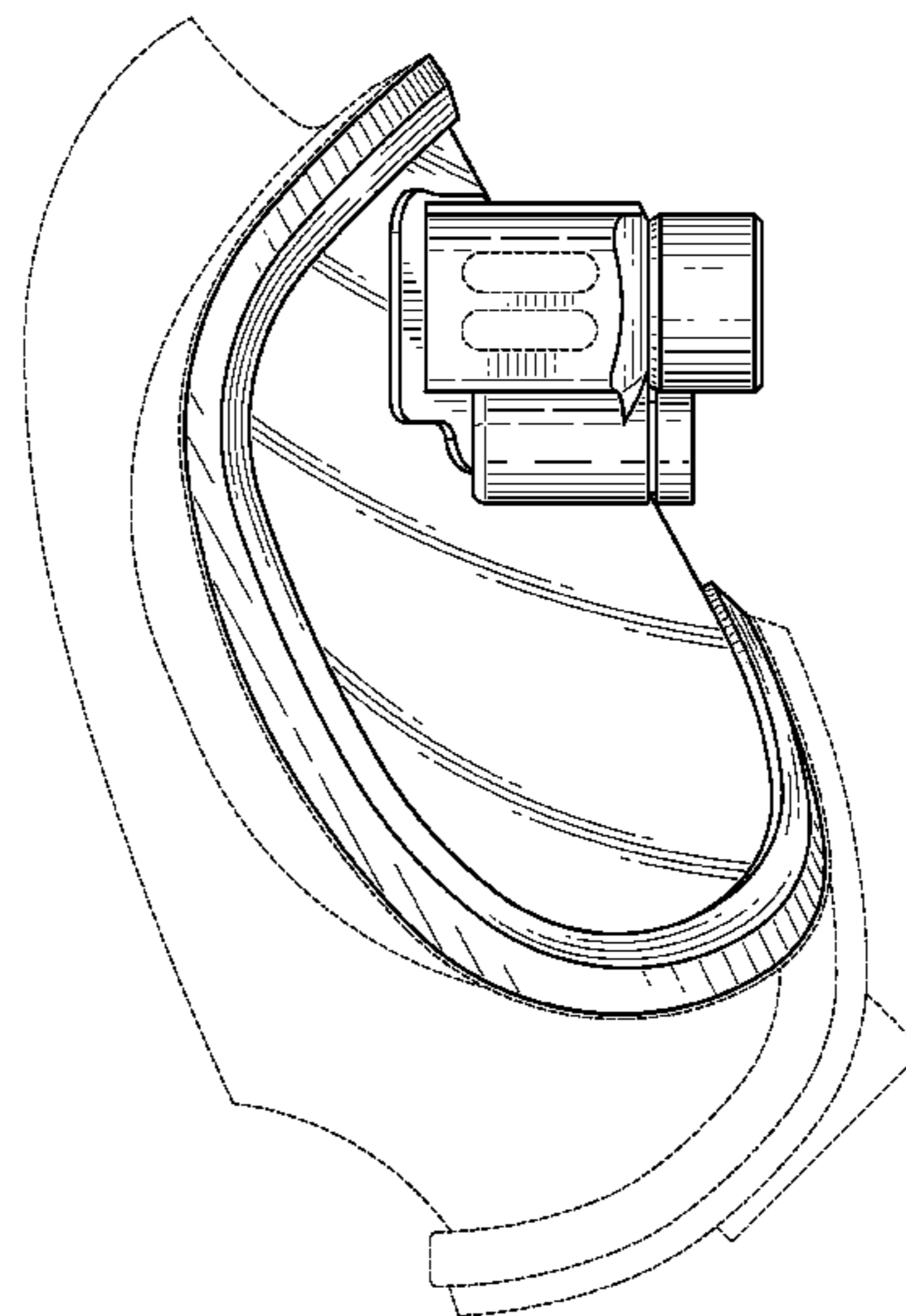
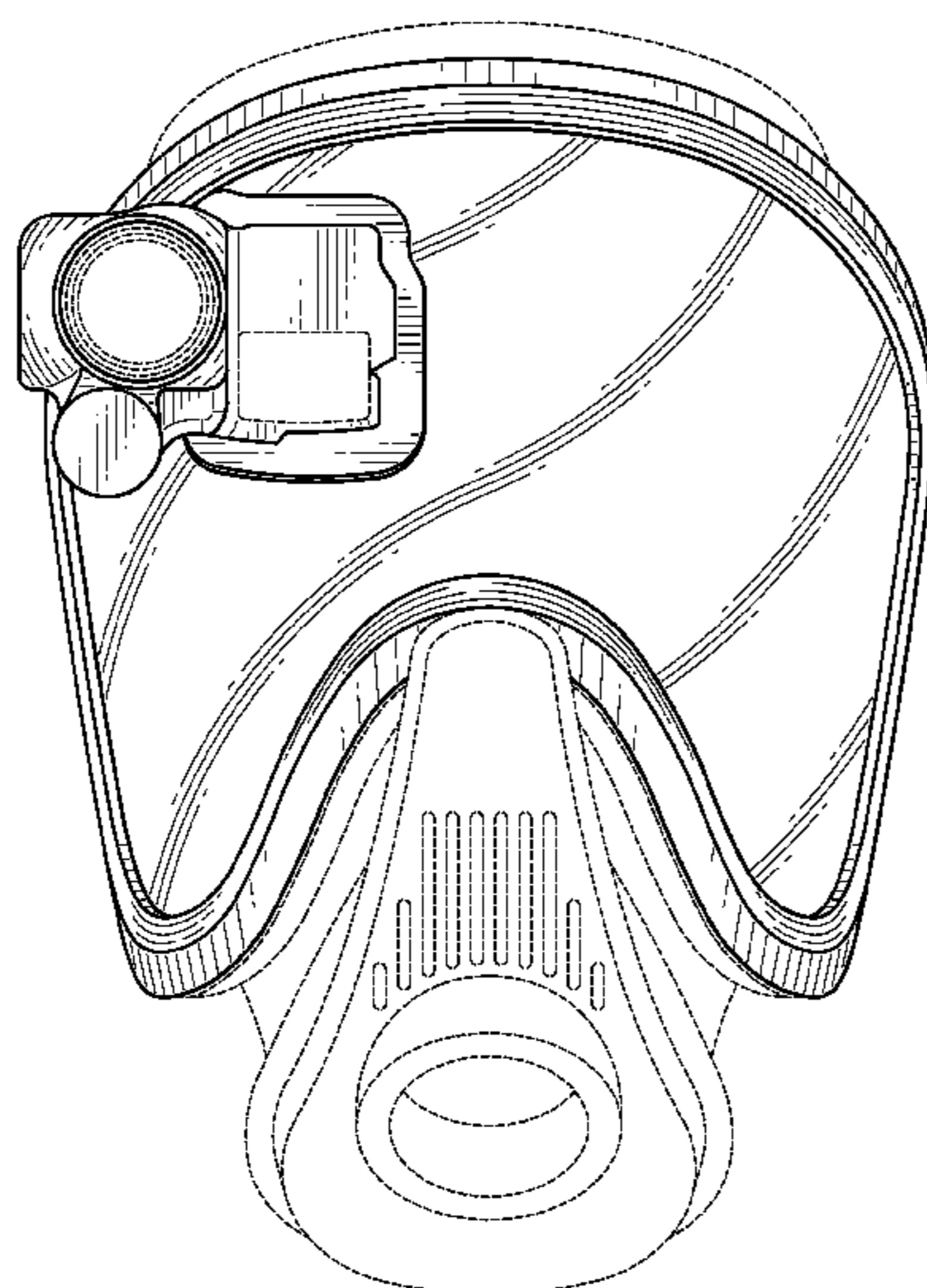
The broken line showing of portions of the article immediately adjacent the shaded areas is included for the purpose of illustrating environmental structure with the lines themselves and the areas within forming no part of the claimed design.

(56) **References Cited**

U.S. PATENT DOCUMENTS

4,653,879 A 3/1987 Filipovich
4,655,562 A 4/1987 Kreitzer et al.
5,089,914 A * 2/1992 Prescott 359/815
5,200,827 A 4/1993 Hanson et al.
D336,546 S * 6/1993 Lybrand D24/110.2
5,379,140 A 1/1995 Michel et al.
5,581,271 A 12/1996 Kraemer
D378,610 S * 3/1997 Reischel et al. D24/110.2

1 Claim, 5 Drawing Sheets



(56)

References Cited

U.S. PATENT DOCUMENTS

6,859,327 B2 * 2/2005 Del Bianco et al. 359/630
6,900,777 B1 5/2005 Hebert et al.
7,245,273 B2 7/2007 Eberl et al.
7,369,174 B2 * 5/2008 Olita et al. 348/373
7,460,304 B1 * 12/2008 Epstein et al. 359/618
D602,154 S * 10/2009 Ono et al. D24/110.2
7,969,383 B2 6/2011 Eberl et al.

OTHER PUBLICATIONS

OES Products Group. (n.d.). OES Products Group. Retrieved Oct. 14, 2013, from <http://www.theoesgroup.com/>.
Air Soft Extreme. (n.d.). Air Soft Extreme. Retrieved Oct. 14, 2013, from www.airsoftextreme.com/store/index.php?main_

[page=product_info&cPath=254_671&products_id=6793&zenid=osl8ng6c6pmdvk5be62n0dem50](http://www.grainger.com/Grainger/MSA-Full-Face-Respirator-4AFU9).
MSA MSA Ultra Elite(TM) SCBA Respirator, S—Full Face Respirators—4AFU9|10084690—Grainger Industrial Supply. (n.d.). Grainger Industrial Supply—MRO Supplies, MRO Equipment, Tools & Solutions. Retrieved Oct. 14, 2013, from <http://www.grainger.com/Grainger/MSA-Full-Face-Respirator-4AFU9>.
Dräger FPS-COM-PLUS. (n.d.). Home. Retrieved Oct. 14, 2013, from http://www.draeger.com/sites/enus_us/Pages/Oil-Gas-Industry/Draeger-FPS-COM-PLUS.aspx.
Arayem Trade—Scott Sabre self contained breathing apparatus. (n.d.). Arayem Trade—Home. Retrieved Oct. 14, 2013, from http://arayemtrade.com/sabre_self_contained_breathing_apparatus.
Paul Ridden, “World First GPS Goggles With Head Mounted Display,” Wearable Electronics, Oct. 8, 2010.

* cited by examiner

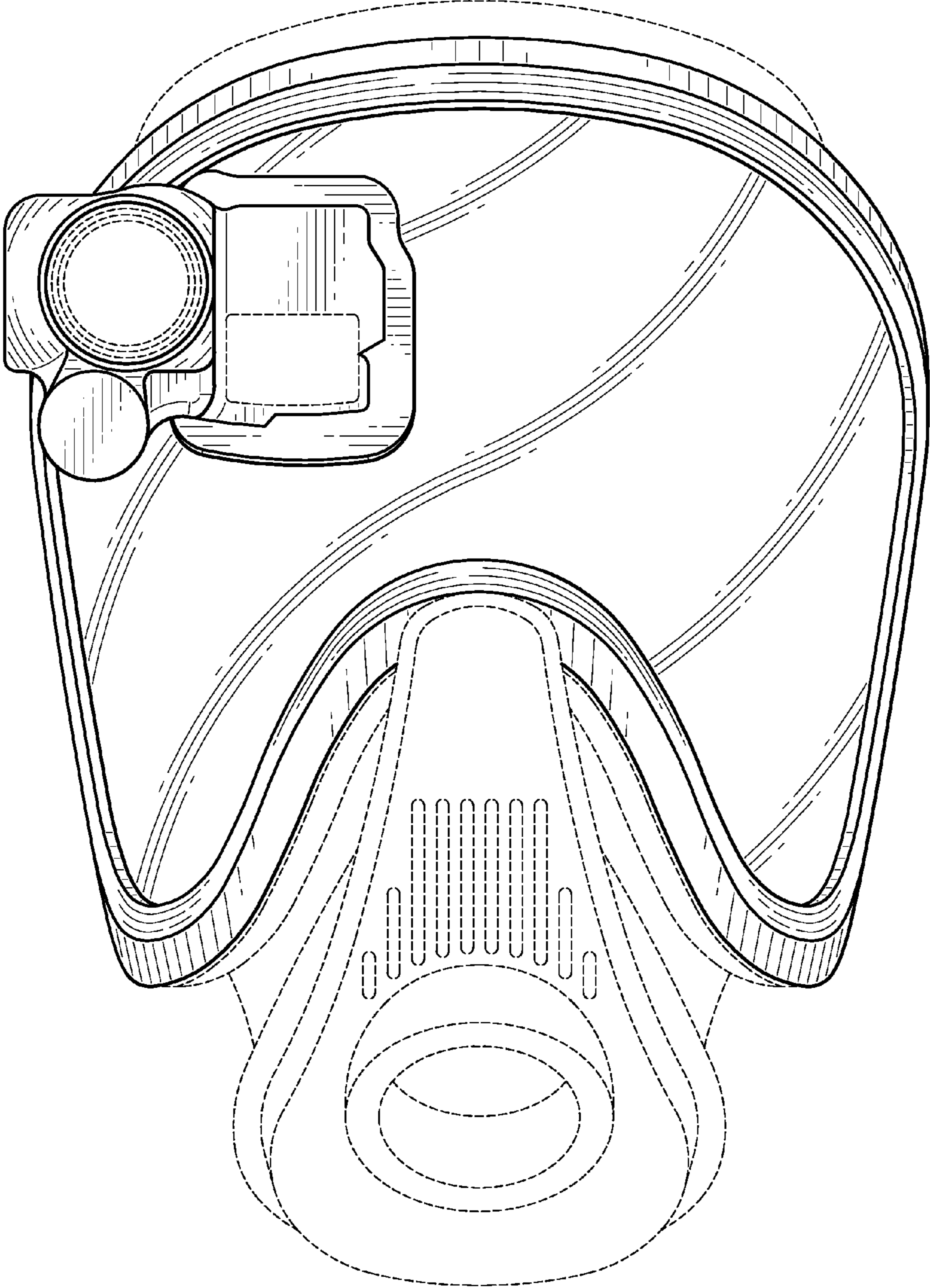


FIG-1

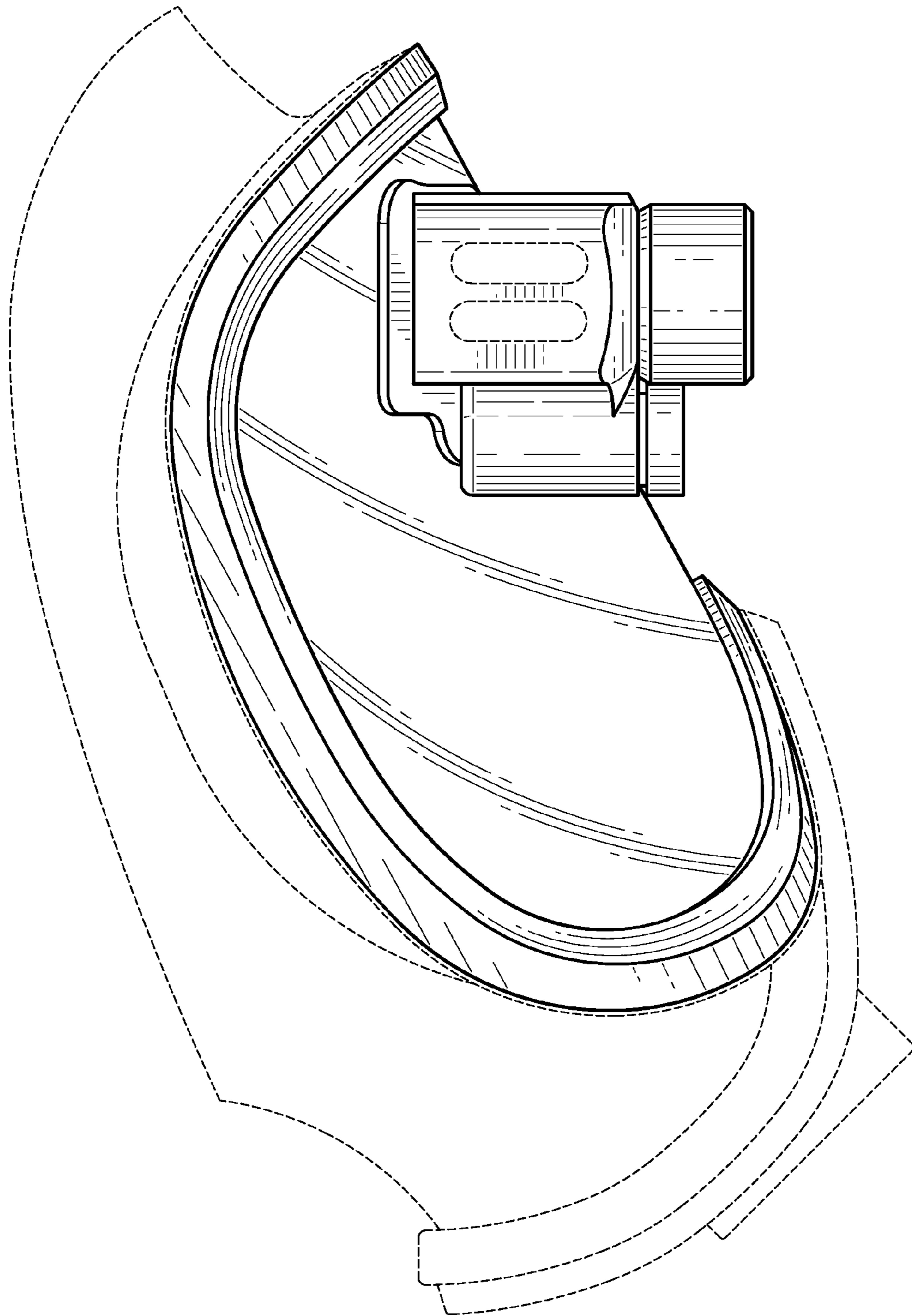


FIG-2

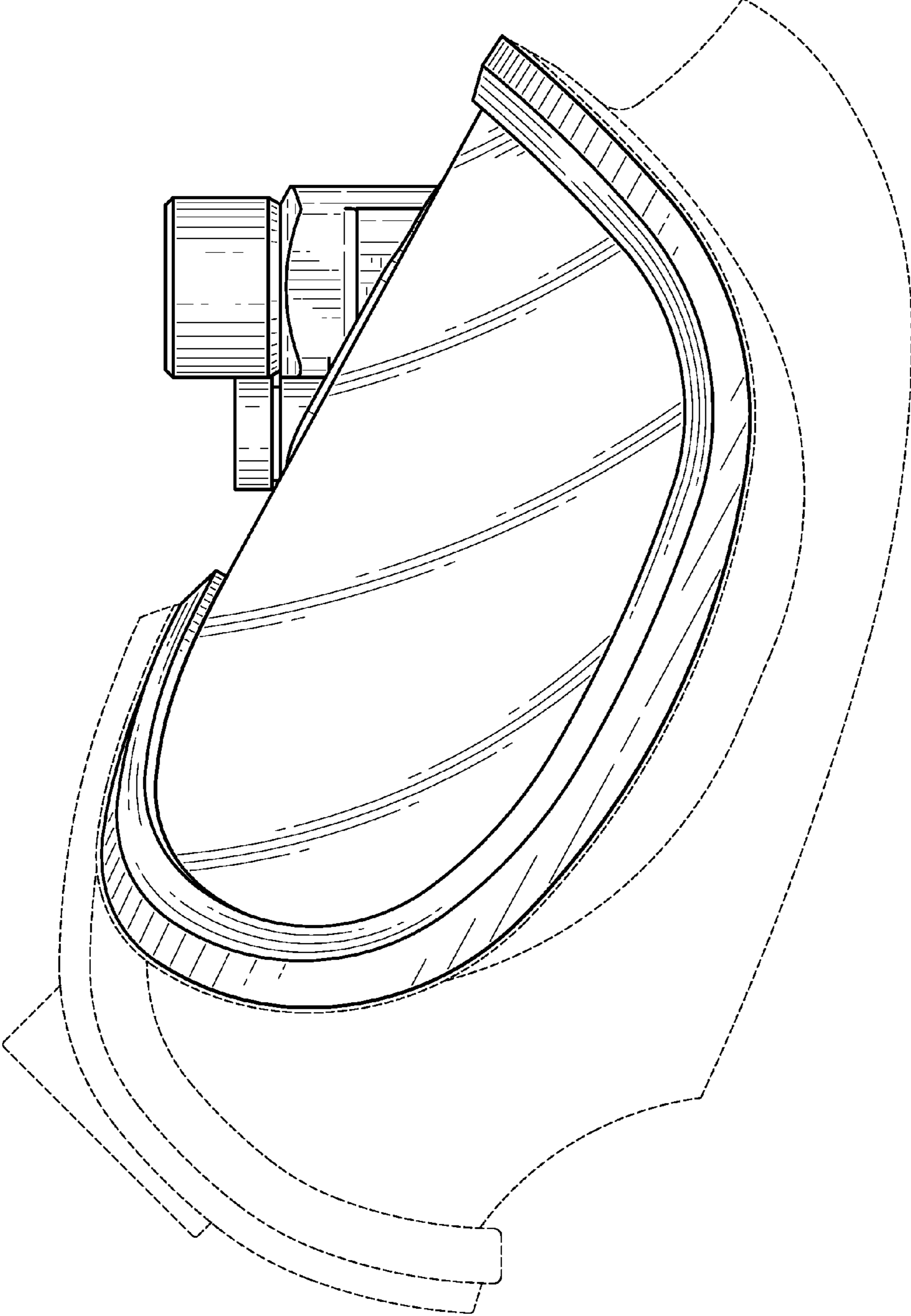


FIG-3

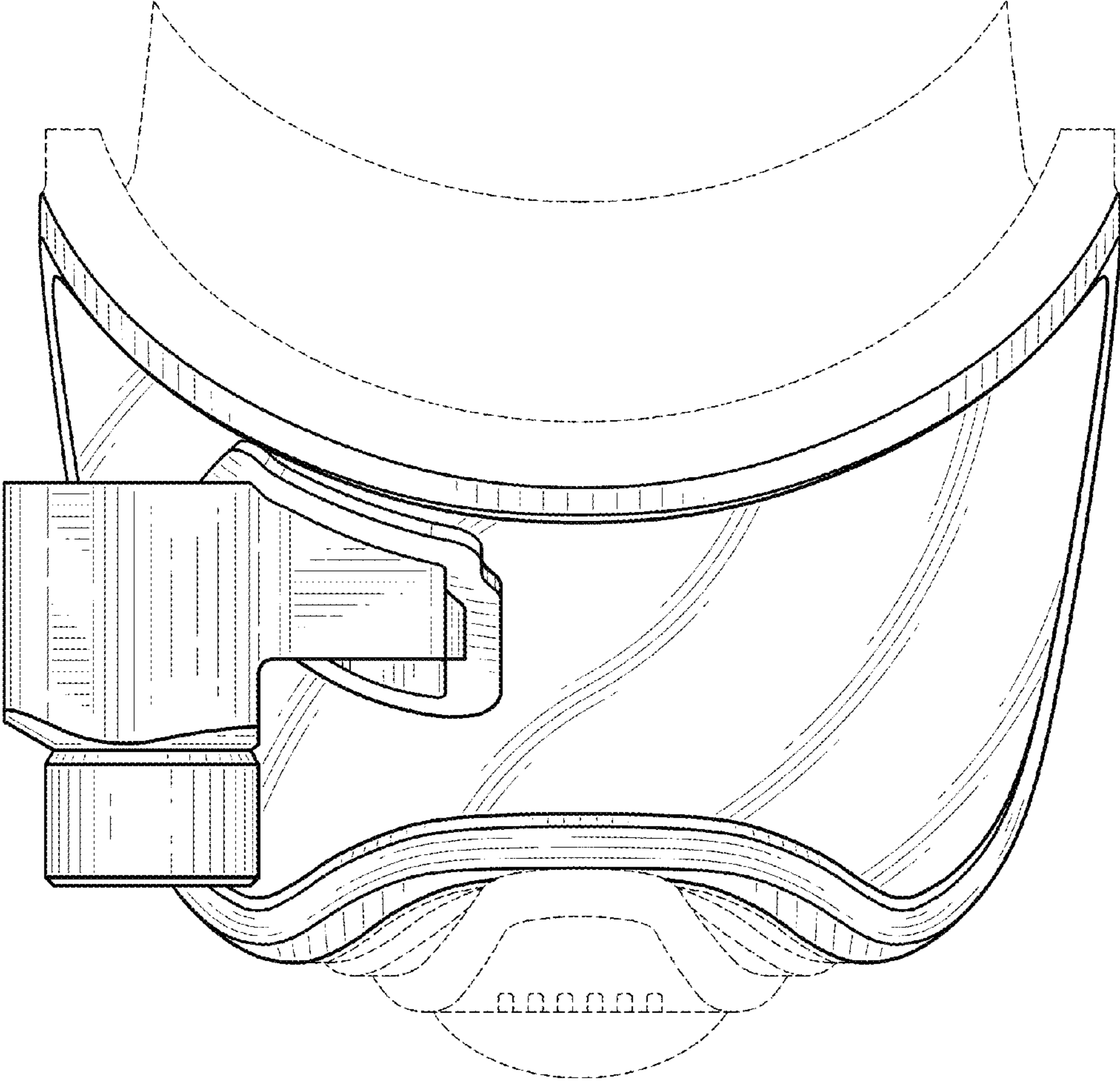


FIG-4

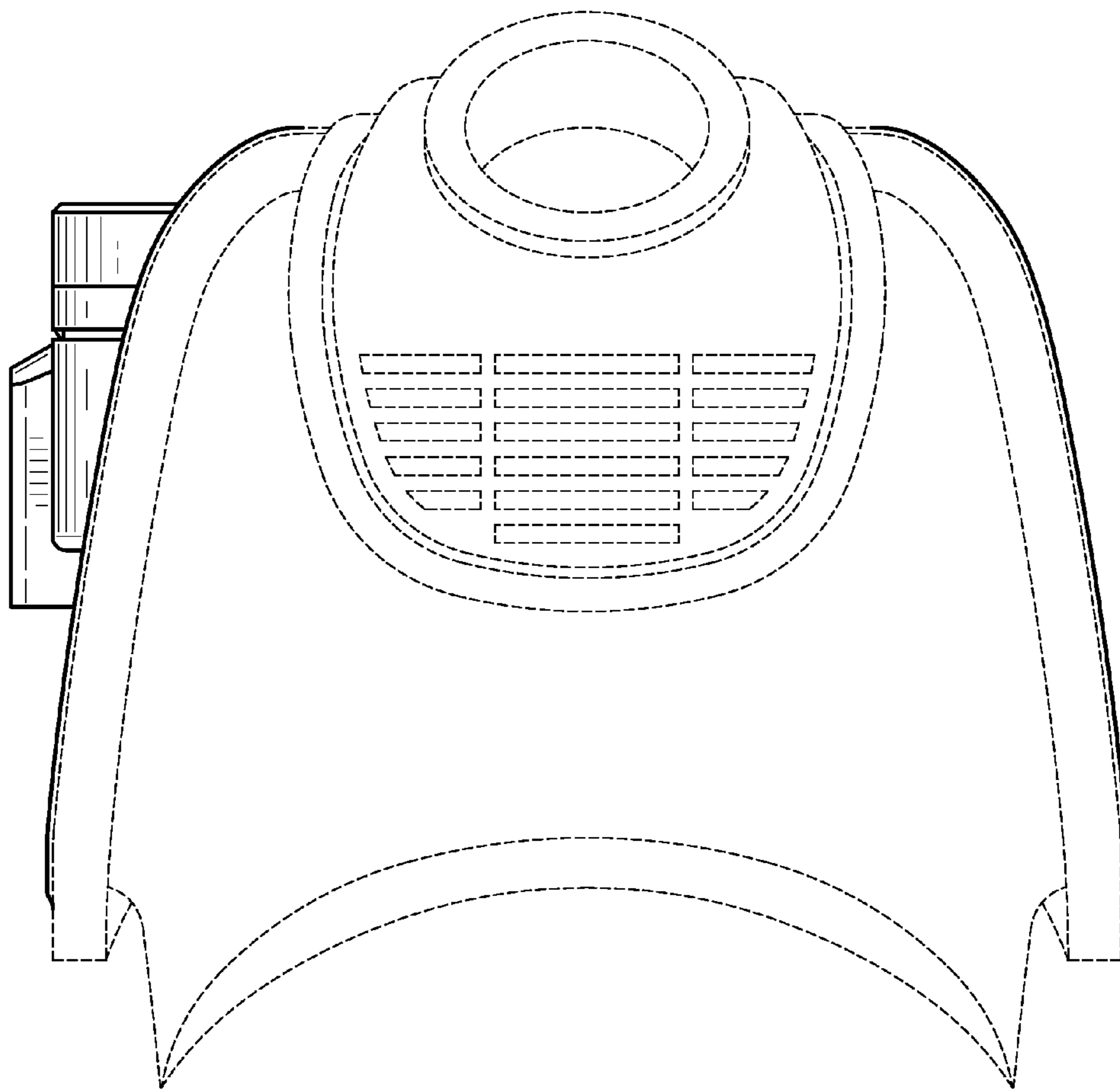


FIG-5